



US00D519053S

(12) **United States Design Patent**
Meyer

(10) **Patent No.:** **US D519,053 S**

(45) **Date of Patent:** **** Apr. 18, 2006**

(54) **PENDANT**

(76) Inventor: **Frank Meyer**, 668 N. Chodikee Lake Rd., Highland, NY (US) 12528

(**) Term: **14 Years**

(21) Appl. No.: **29/201,781**

(22) Filed: **Mar. 20, 2004**

(51) **LOC (8) Cl.** **11-01**

(52) **U.S. Cl.** **D11/70; D11/41**

(58) **Field of Classification Search** D11/1-2, D11/40-44, 48-49, 53, 56-57, 59, 60, 63, D11/65, 70, 79-83, 91, 95-97, 99-101, 106-108, D11/114-115; 63/1.11, 18-20; D3/207-211
See application file for complete search history.

(56) **References Cited**

U.S. PATENT DOCUMENTS

D243,346 S	*	2/1977	Samuels	D11/70
4,034,573 A	*	7/1977	Elkaim	D11/70
D246,353 S	*	11/1977	Elkaim	D11/41
D247,193 S	*	2/1978	Maxwell	D11/70
D250,518 S	*	12/1978	Friedman	D11/70
D313,371 S	*	1/1991	Shideler	D11/70
D314,529 S	*	2/1991	Willard	D11/115
D343,139 S	*	1/1994	Cooper	D11/70
D374,753 S	*	10/1996	Tintle	D11/108
6,789,395 B1	*	9/2004	Molino et al.	63/1.11

* cited by examiner

Primary Examiner—Louis S. Zarfaz
Assistant Examiner—Melanie Levy

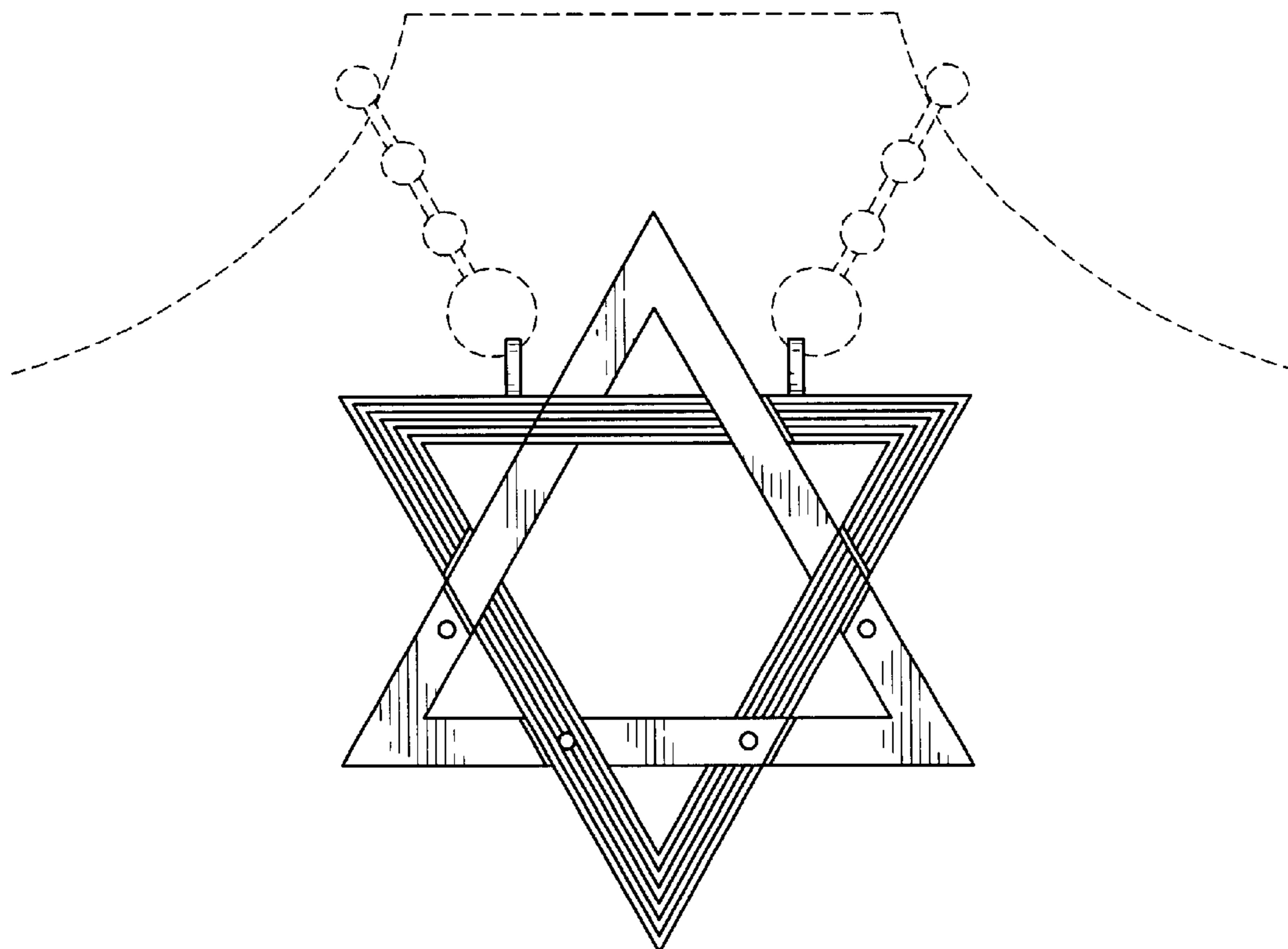
(57) **CLAIM**

I claim the ornamental design for a pendant, as shown and described.

DESCRIPTION

FIG. 1 is a front elevational view of a pendant showing my new design;
FIG. 2 is a right side elevational view thereof;
FIG. 3 is a front elevational view thereof;
FIG. 4 is a left side elevational view thereof;
FIG. 5 is a top plan view thereof;
FIG. 6 is a rear elevational view thereof; and
FIG. 7 is a bottom plan view thereof;
FIG. 8 is a front elevational view of the pendant shown in an alternate position;
FIG. 9 is a top plan view of FIG. 8;
FIG. 10 is a front elevational view of FIG. 8;
FIG. 11 is a bottom plan view of FIG. 8;
FIG. 12 is a left side elevational (located on the left side of the wearer). view of FIG. 8;
FIG. 13 is a rear elevational view of FIG. 8; and,
FIG. 14 is a right side elevational view of FIG. 1.
The broken lines are for illustrative purposes only and form no part of the claimed design.

1 Claim, 5 Drawing Sheets



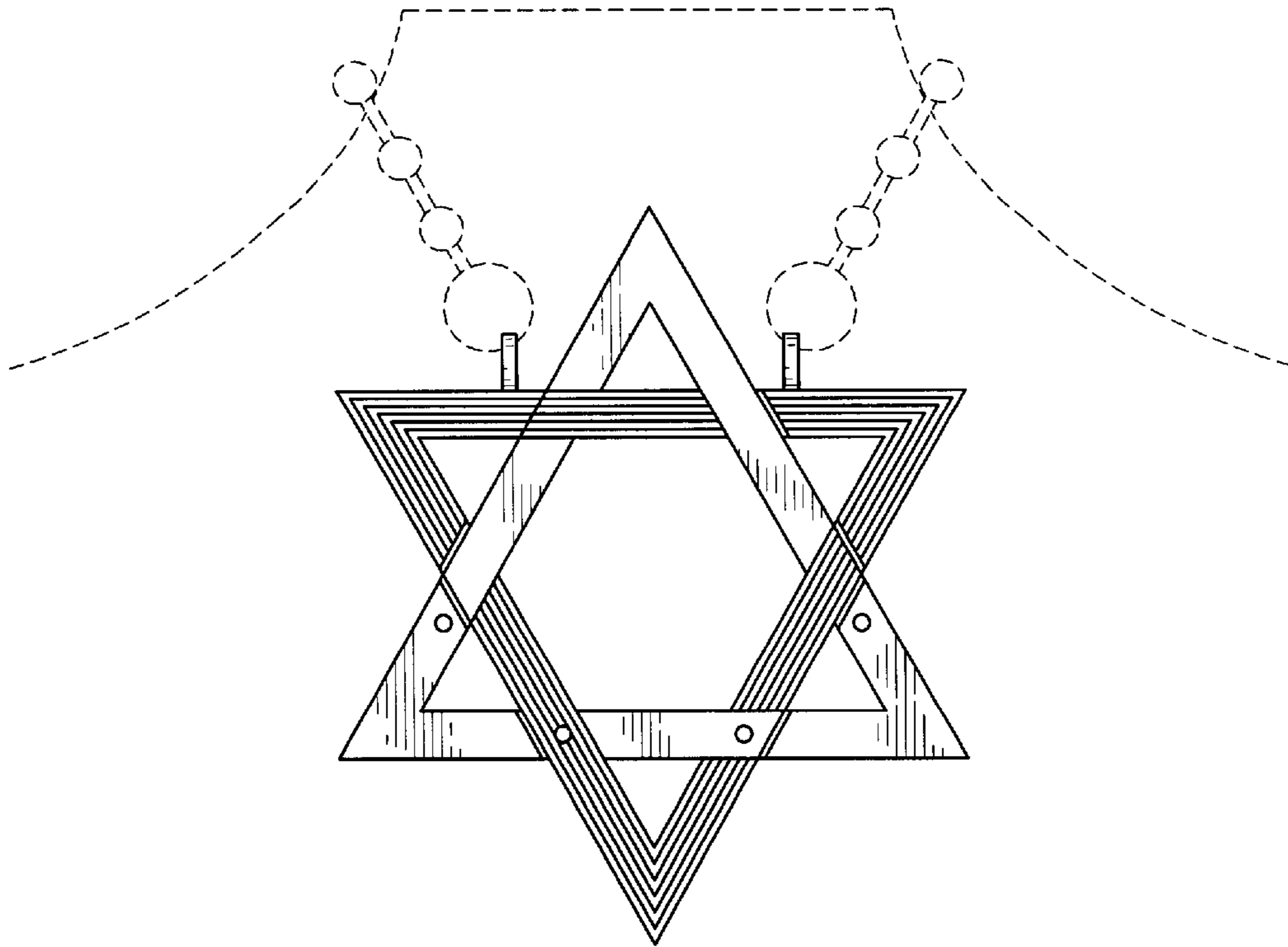


FIG. 1

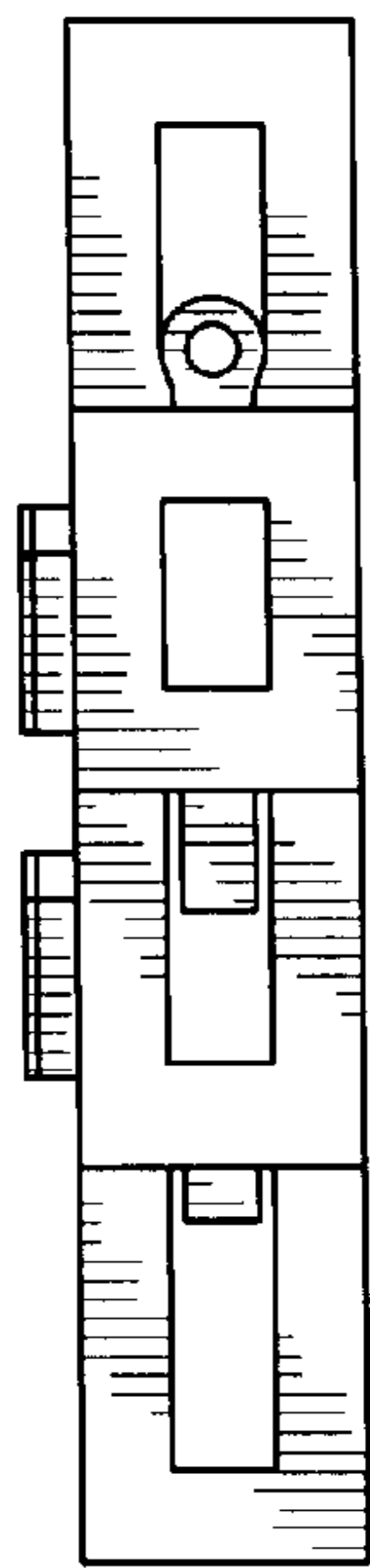


FIG. 2

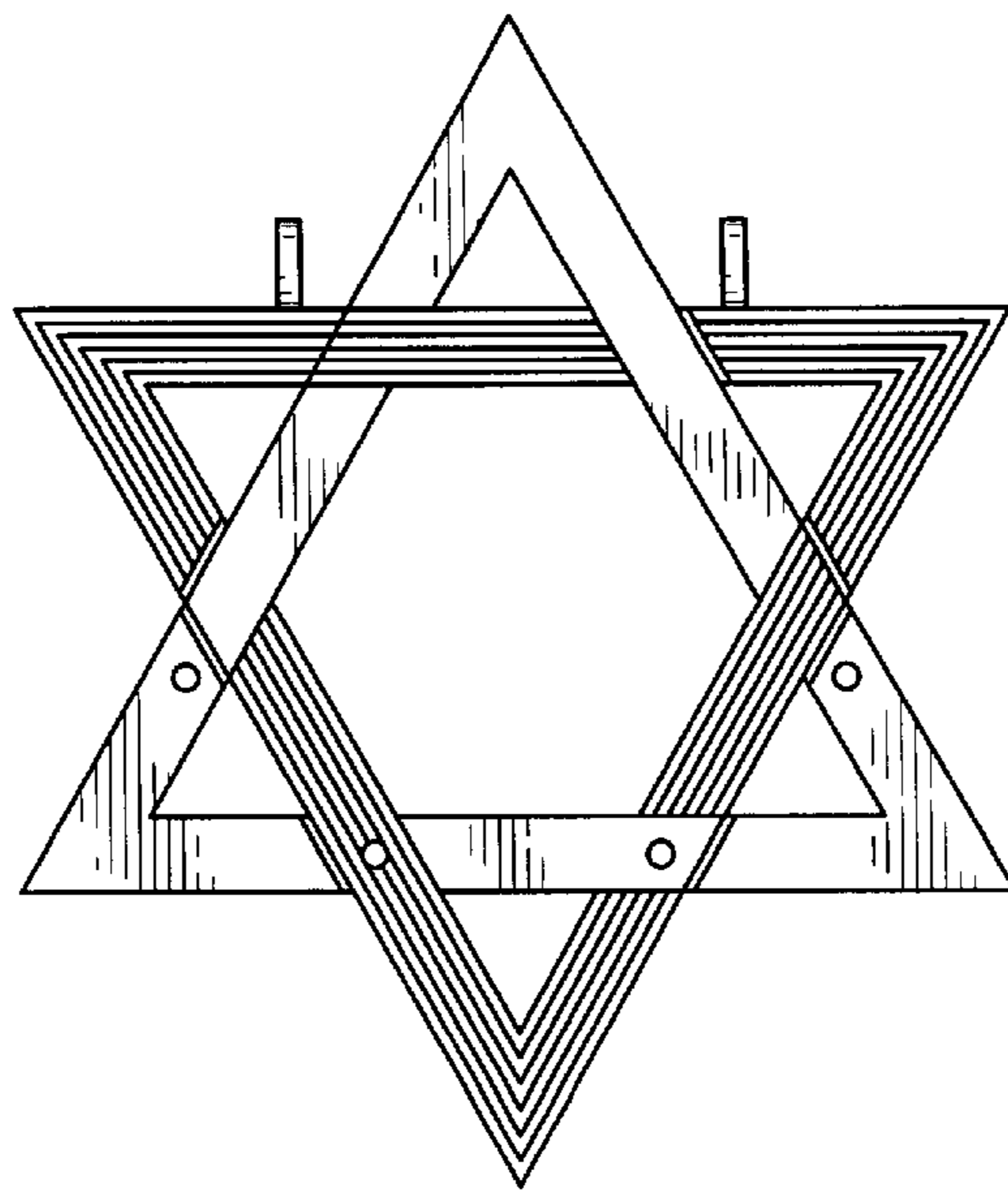


FIG. 3

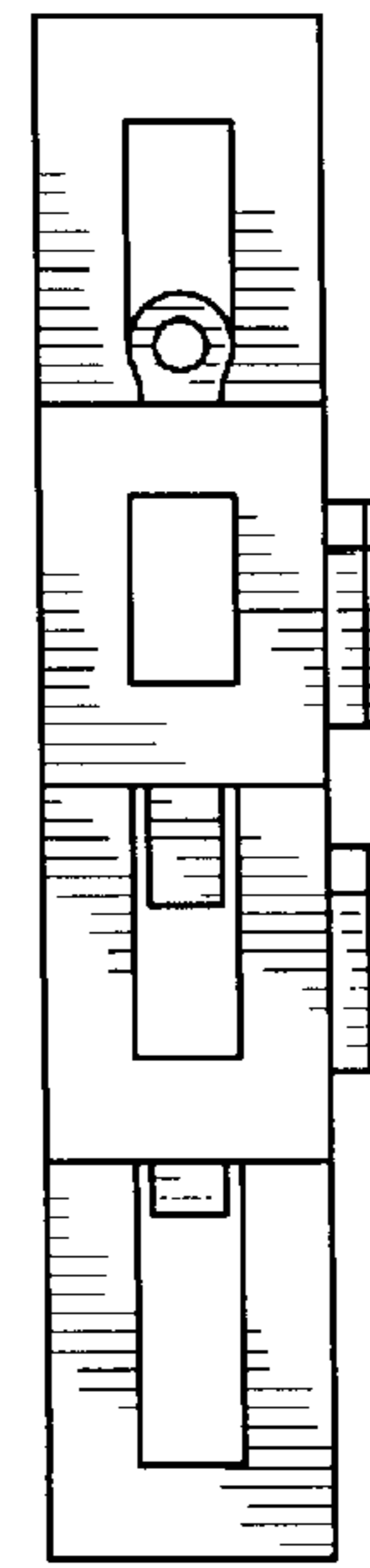


FIG. 4

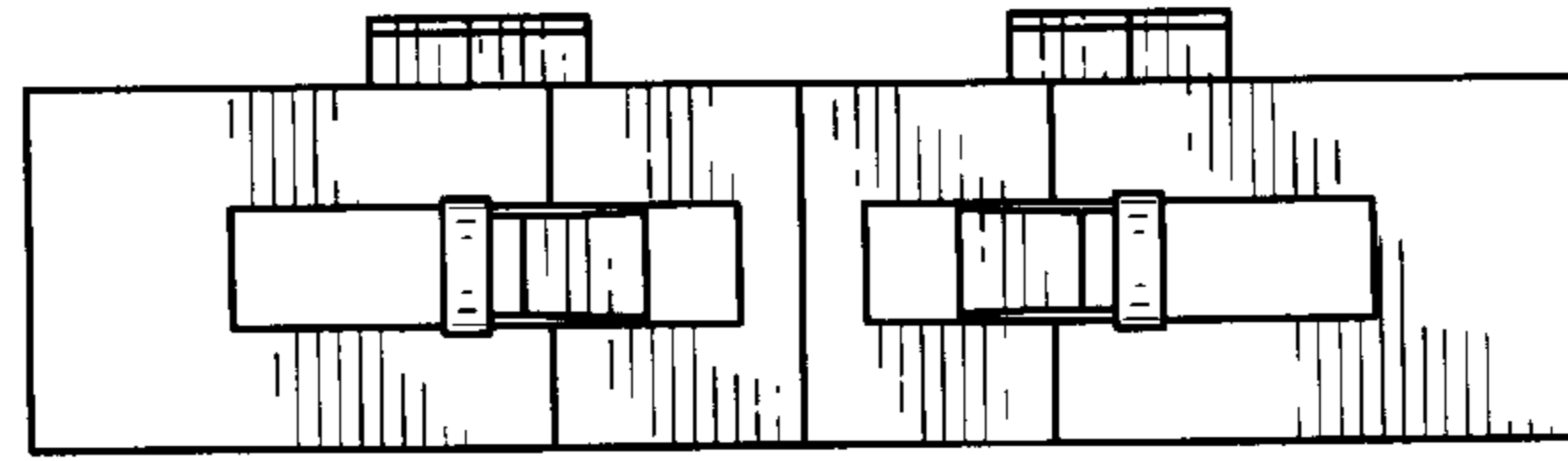


FIG. 5

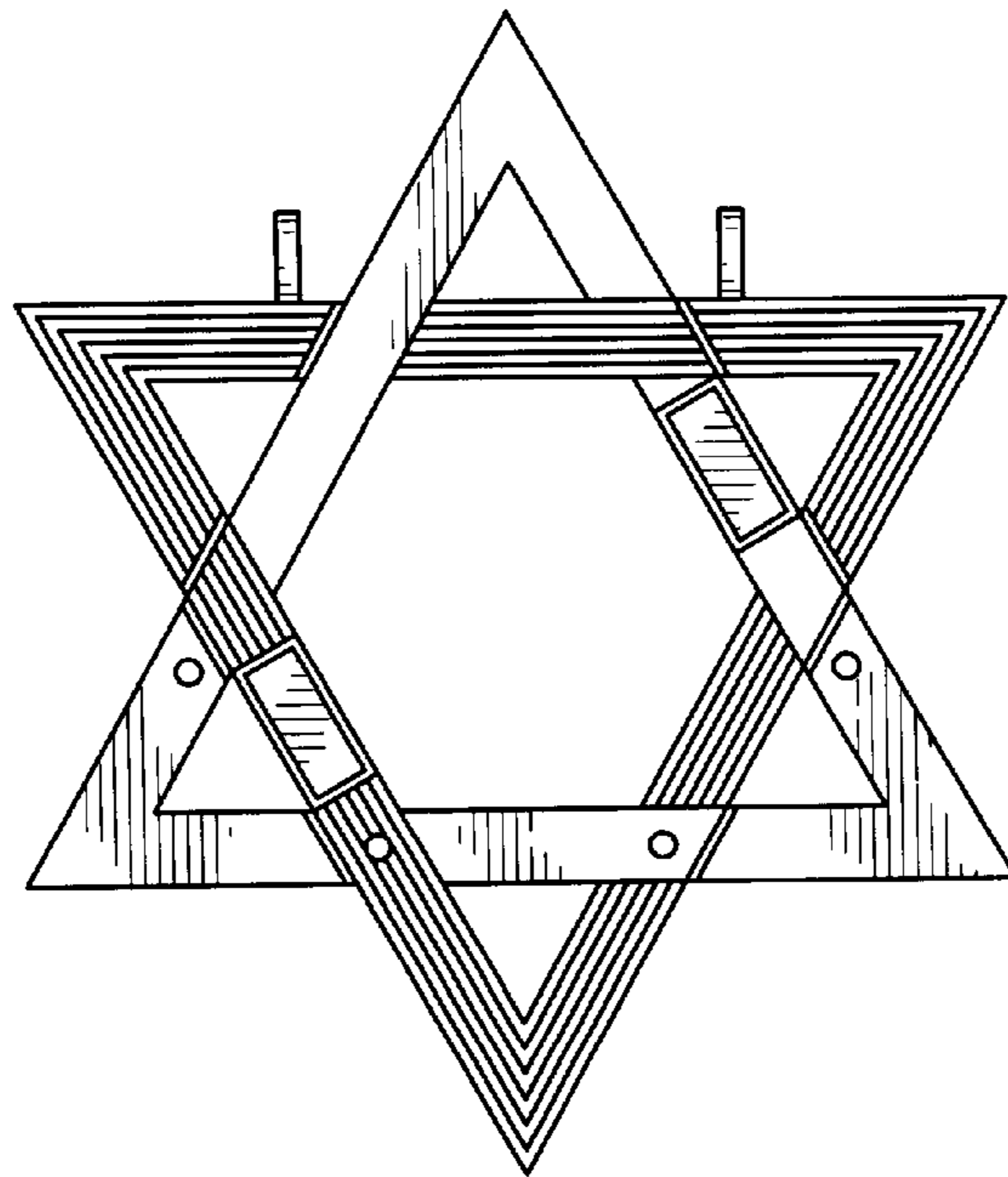


FIG. 6

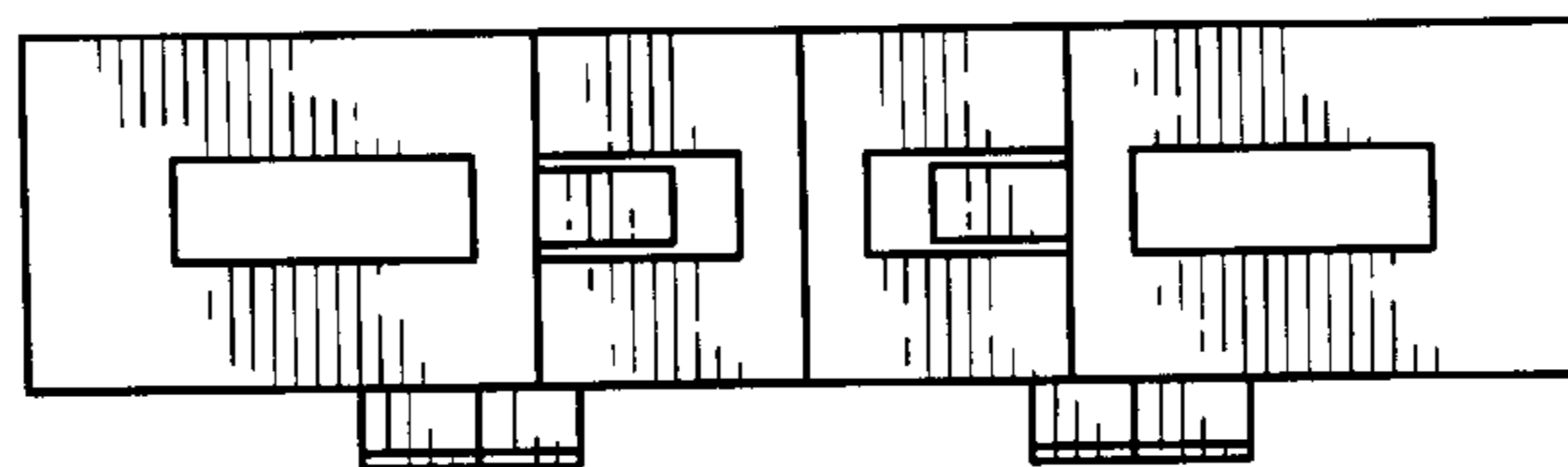


FIG. 7

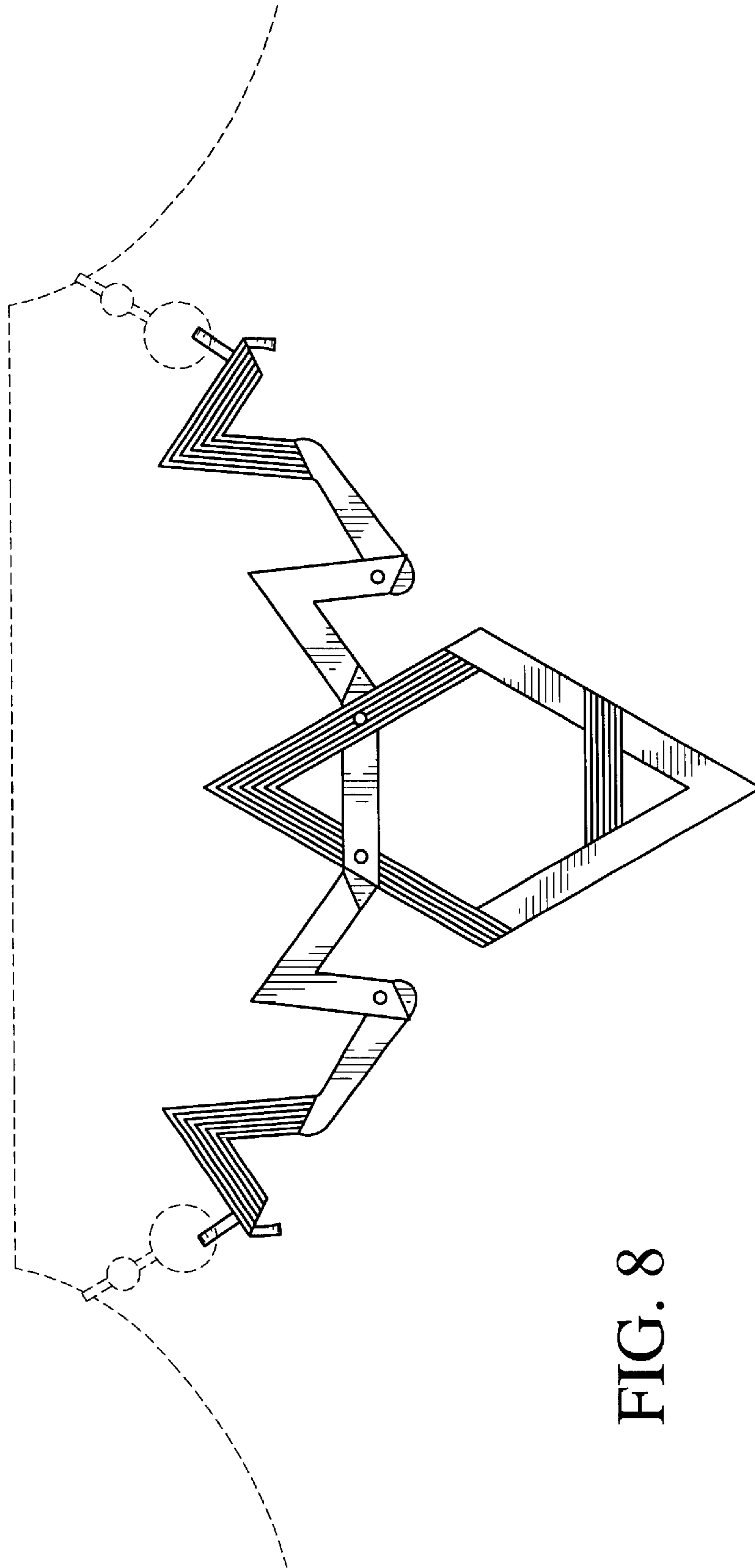


FIG. 8

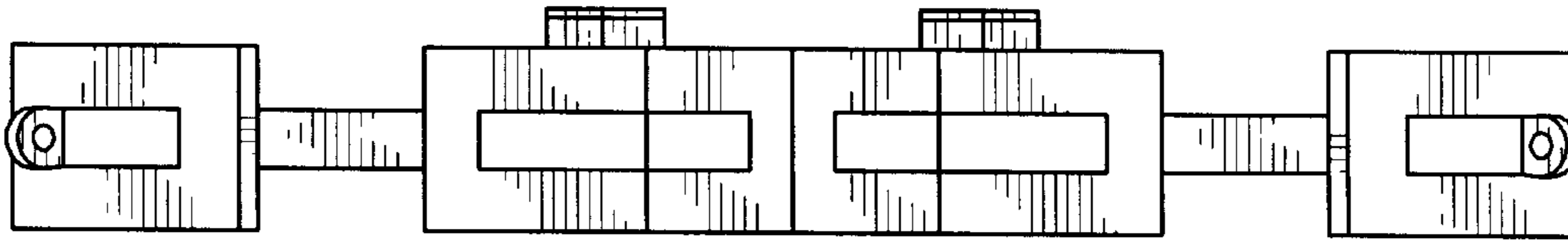


FIG. 9

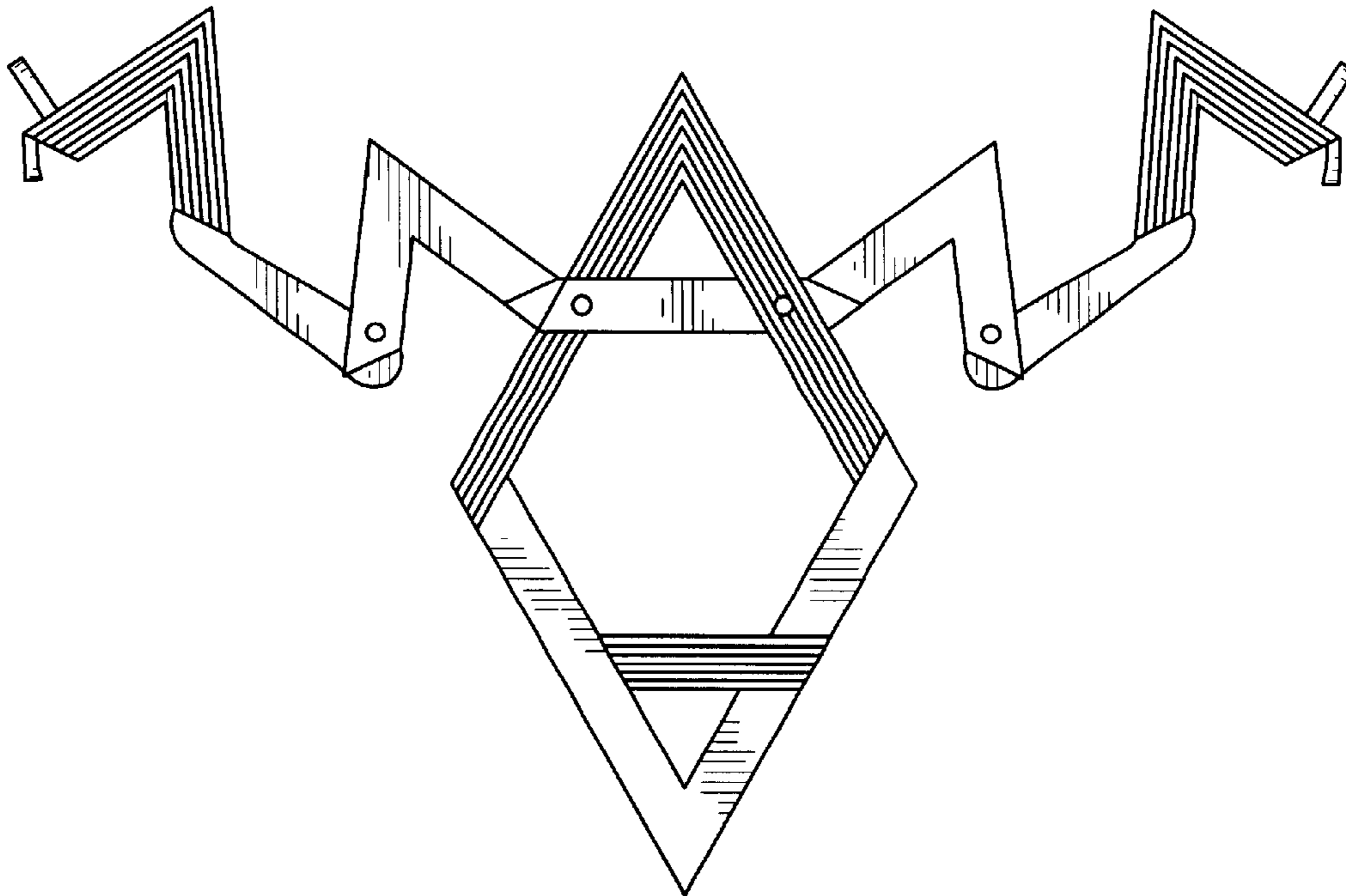


FIG. 10

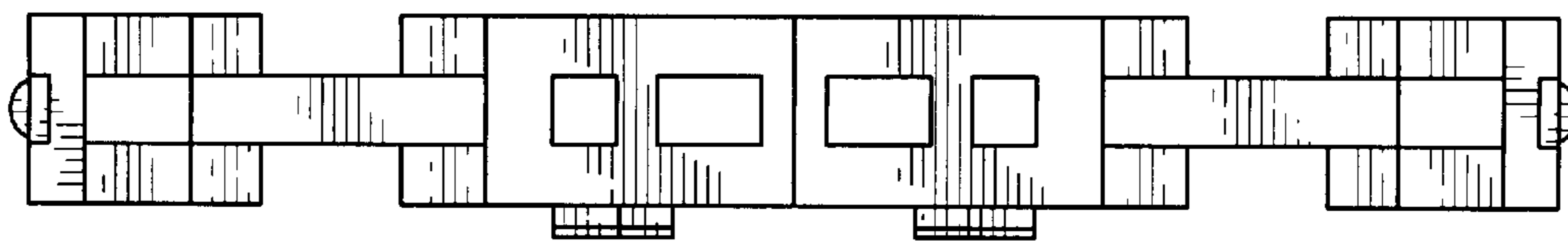


FIG. 11



FIG. 14

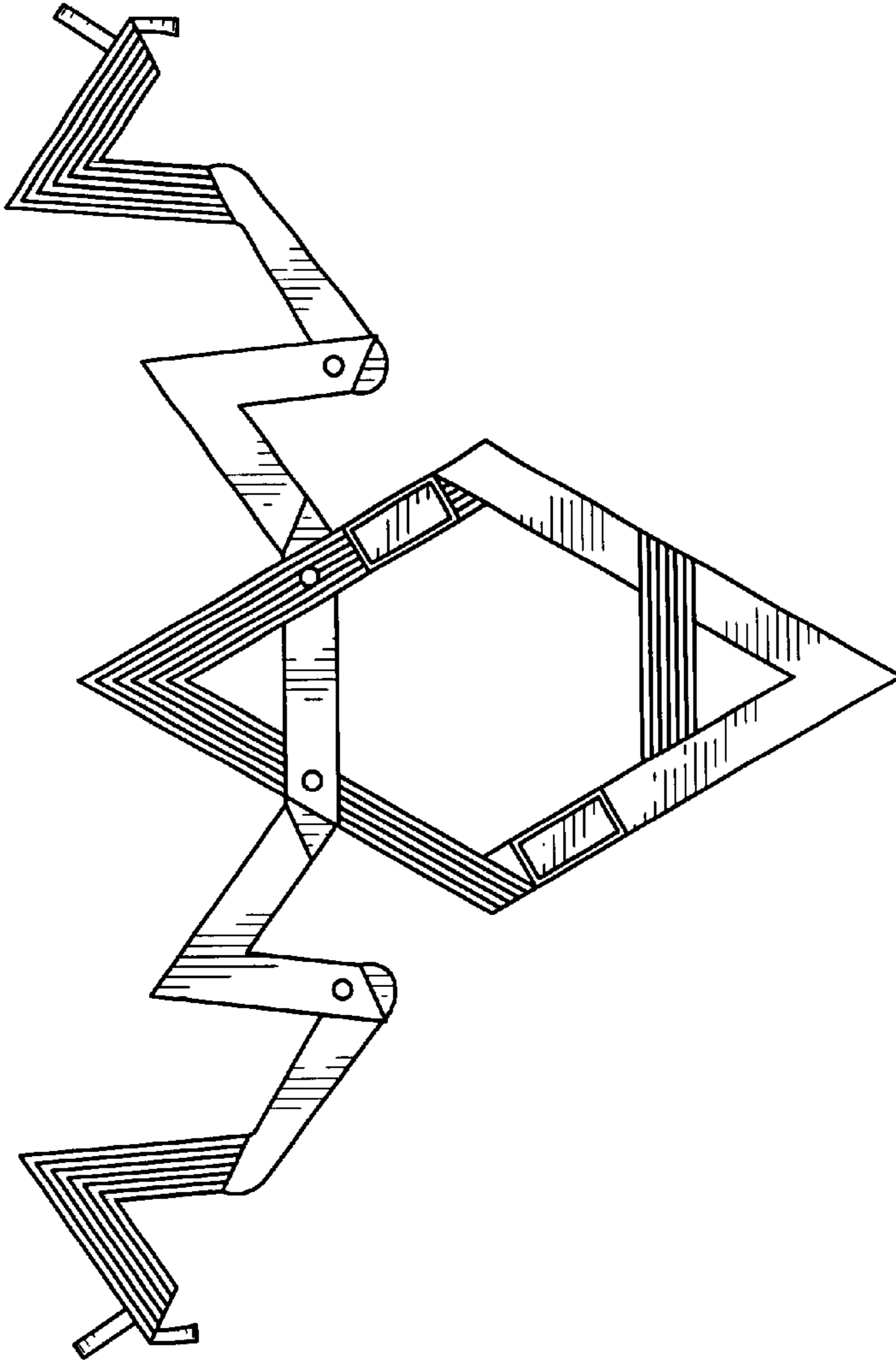


FIG. 13



FIG. 12