



US00D519043S

(12) **United States Design Patent**
Kim

(10) **Patent No.:** **US D519,043 S**
(45) **Date of Patent:** **** Apr. 18, 2006**

(54) **HAND-HOLD AND VIAL WINDOW FOR A LEVEL**

(75) Inventor: **Charles D. Kim**, Raleigh, NC (US)

(73) Assignee: **Ruud Lighting, Inc.**, Racine, WI (US)

(**) Term: **14 Years**

(21) Appl. No.: **29/228,613**

(22) Filed: **Apr. 26, 2005**

(51) **LOC (8) Cl.** **10-04**

(52) **U.S. Cl.** **D10/69**

(58) **Field of Classification Search** D10/69,
D10/74; 33/365, 366.11–366.27, 367–391
See application file for complete search history.

(56) **References Cited**

U.S. PATENT DOCUMENTS

D493,737 S * 8/2004 Nickel D10/74

* cited by examiner

Primary Examiner—Antoine D. Davis

(74) *Attorney, Agent, or Firm*—Jansson, Shupe, Munger & Antaramian, Ltd.

(57) **CLAIM**

The ornamental design for a hand-hold and vial window for a level, as shown and described.

DESCRIPTION

FIG. 1 is a top perspective view of a hand-hold and vial window for a level, illustrating the hand-hold and vial window as part of a level shown in broken lines with one hand-hold.

FIG. 2 is a front elevation view of the hand-hold and vial window of FIG. 1.

FIG. 3 is a rear elevation view of the hand-hold and vial window of FIG. 1.

FIG. 4 is a top plan view of the level of FIG. 1.

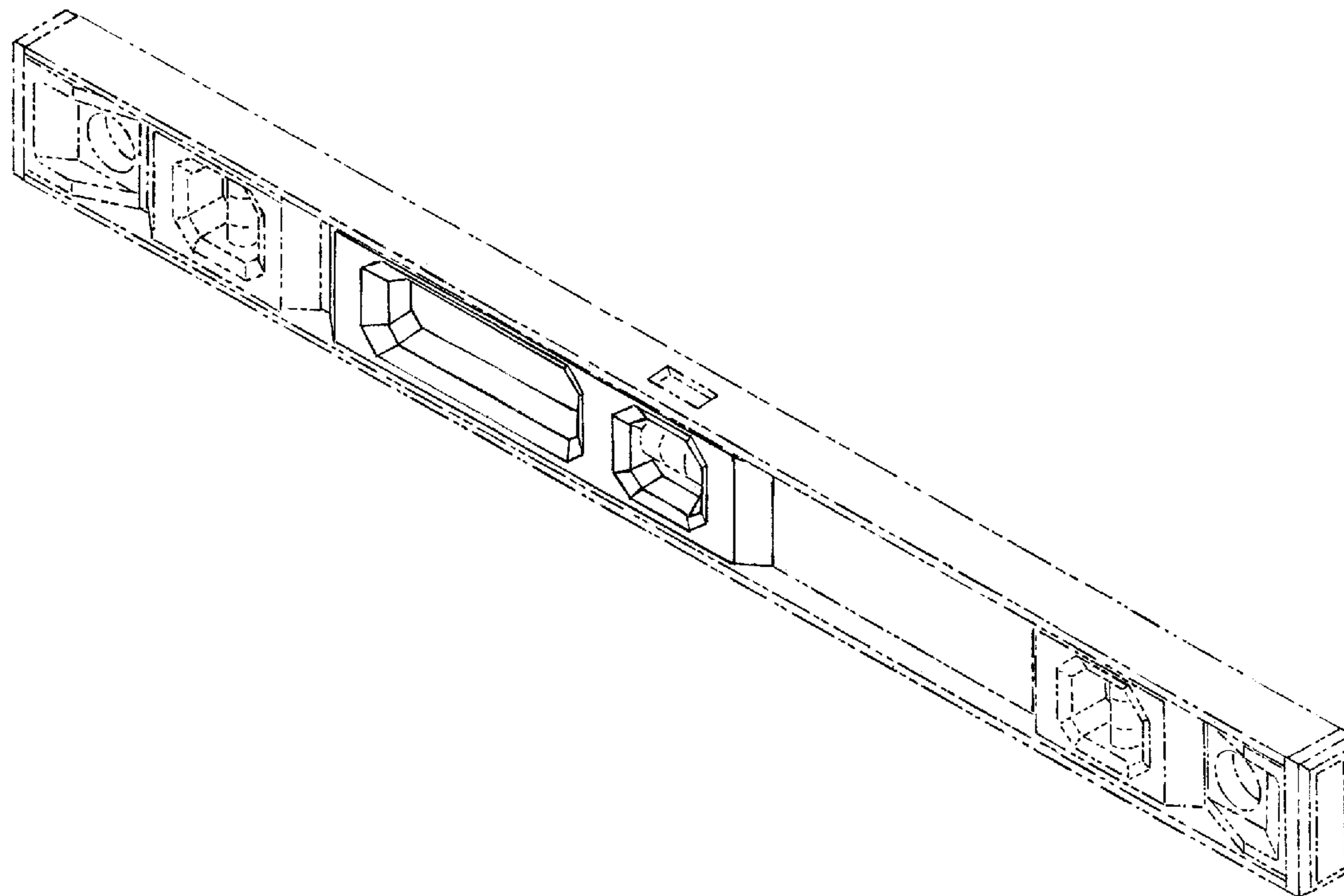
FIG. 5 is a bottom plan view of the level of FIG. 1.

FIG. 6 is a right-end plan view of the level of FIG. 1, the left-end being a mirror image; and,

FIG. 7 is a top perspective view of the hand-hold and vial window, illustrating the hand-hold and vial window as part of a level shown in broken lines with two hand-holds.

The broken lines are provided for illustrative purposes only and form no part of the claimed design.

1 Claim, 4 Drawing Sheets



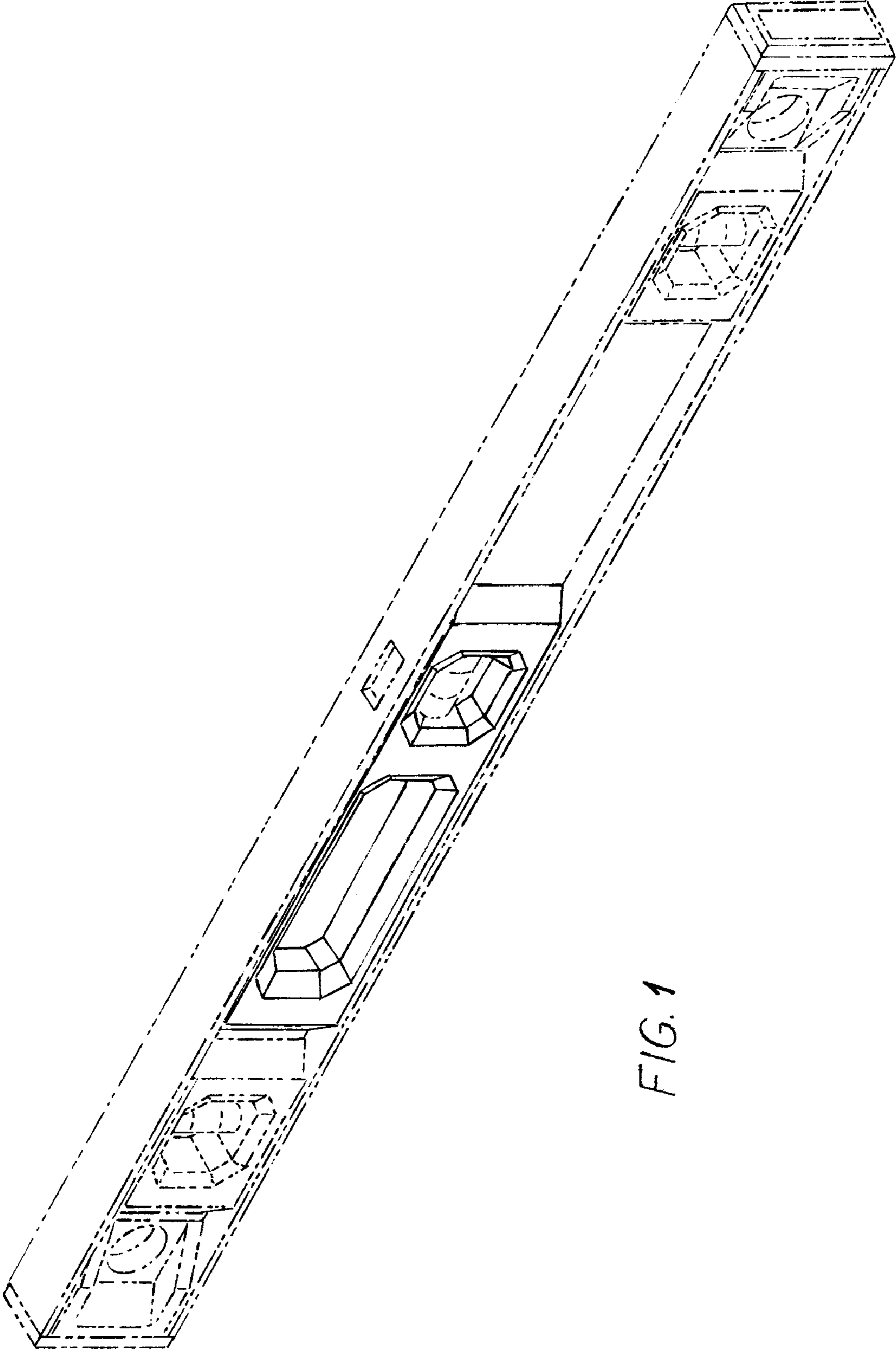


FIG. 1

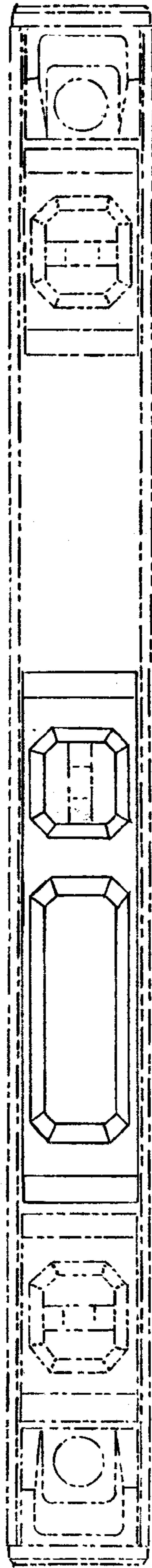


FIG. 2

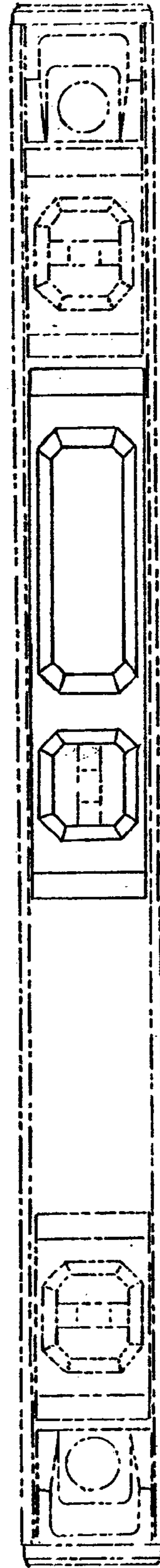


FIG. 3



FIG. 4



FIG. 5

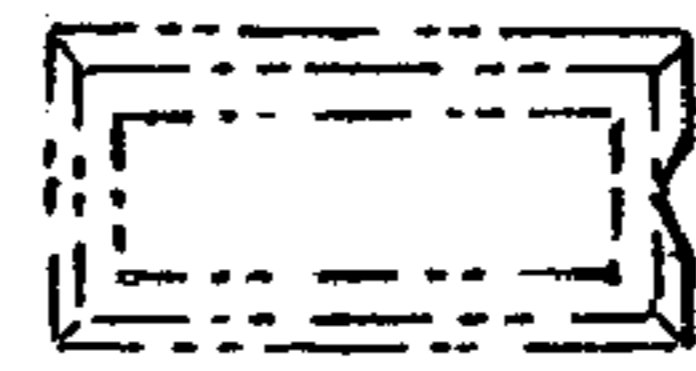


FIG. 6

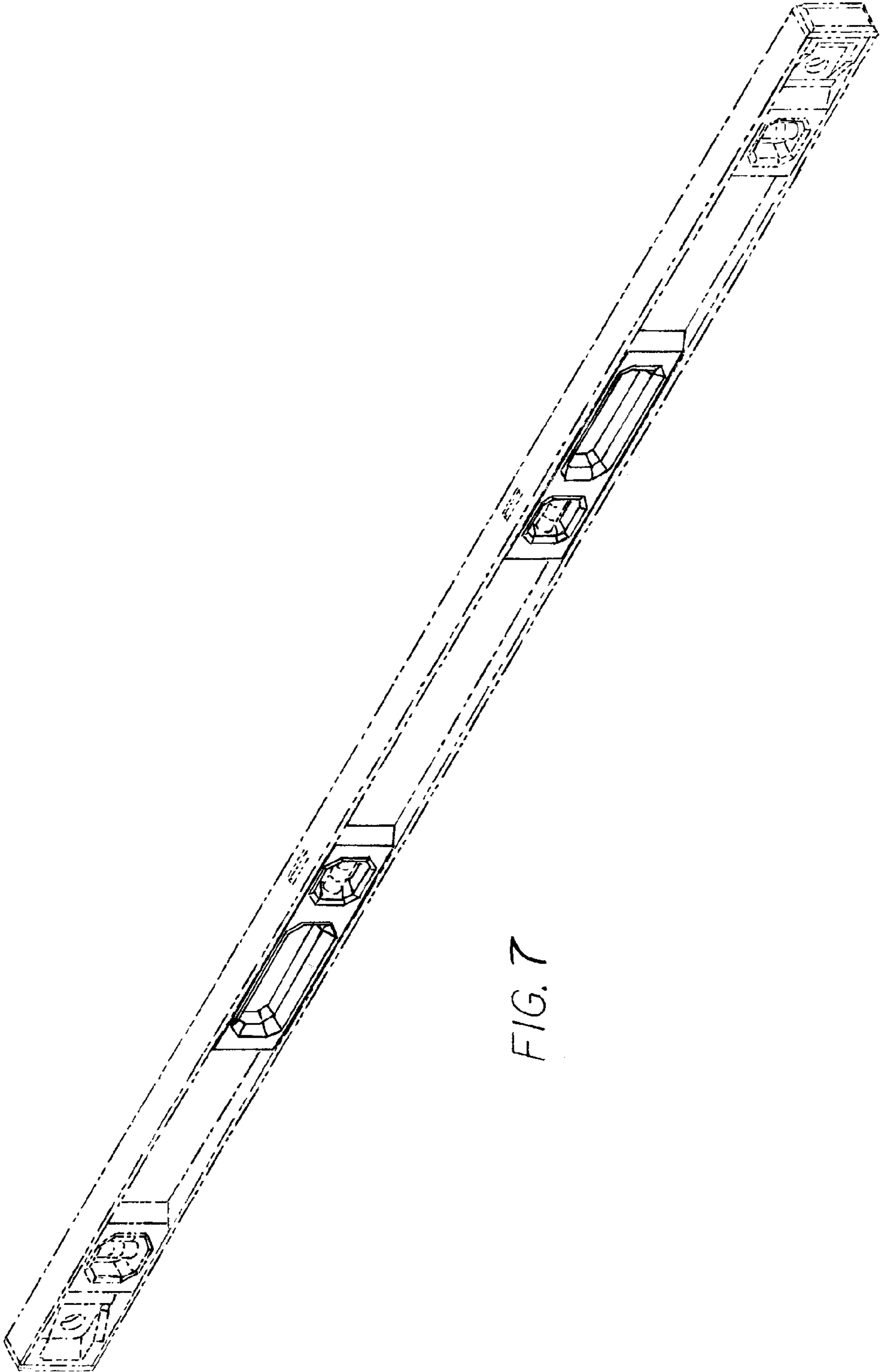


FIG. 7

UNITED STATES PATENT AND TRADEMARK OFFICE
CERTIFICATE OF CORRECTION

PATENT NO. : Des. 519,043 S
APPLICATION NO. : 29/228613
DATED : April 18, 2006
INVENTOR(S) : Charles D. Kim

Page 1 of 1

It is certified that error appears in the above-identified patent and that said Letters Patent is hereby corrected as shown below:

On Title Page, col. 1

(73) Assignee: delete the words "Ruud Lighting, Inc." and replace with the words --Empire Level Mfg. Co.--.

Signed and Sealed this

First Day of August, 2006

A handwritten signature in black ink on a light gray dotted background. The signature reads "Jon W. Dudas" in a cursive style.

JON W. DUDAS

Director of the United States Patent and Trademark Office

UNITED STATES PATENT AND TRADEMARK OFFICE
CERTIFICATE OF CORRECTION

PATENT NO. : Des. 519,043 S
APPLICATION NO. : 29/228613
DATED : April 18, 2006
INVENTOR(S) : Charles D. Kim

Page 1 of 1

It is certified that error appears in the above-identified patent and that said Letters Patent is hereby corrected as shown below:

On Title Page, col. 1

(73) Assignee: delete the words "Ruud Lighting, Inc." and replace with the words --Empire Level Mfg. Corp., Mukwonago, WI--.

This certificate supersedes the Certificate of Correction issued August 1, 2006.

Signed and Sealed this

Twentieth Day of May, 2008

A handwritten signature in black ink that reads "Jon W. Dudas". The signature is written in a cursive style with a large, looped initial "J".

JON W. DUDAS

Director of the United States Patent and Trademark Office