



US00D519041S

(12) **United States Design Patent**
McGuyer

(10) **Patent No.:** **US D519,041 S**

(45) **Date of Patent:** **** Apr. 18, 2006**

(54) **ADJUSTABLE SPOON**

(75) Inventor: **Carter W. McGuyer**, Muscle Shoals,
AL (US)

(73) Assignee: **Robbins Industries, Inc.**, Florence, AL
(US)

(**) Term: **14 Years**

(21) Appl. No.: **29/217,530**

(22) Filed: **Nov. 18, 2004**

(51) **LOC (8) Cl.** **10-04**

(52) **U.S. Cl.** **D10/46.2**

(58) **Field of Classification Search** D10/46.2,
D10/46.3; D7/691, 692, 643, 644; 30/324-328;
73/426-429

See application file for complete search history.

(56) **References Cited**

U.S. PATENT DOCUMENTS

2,882,732	A	*	4/1959	Cercone	73/429
5,182,948	A		2/1993	Robbins et al.		
D344,686	S		3/1994	Weterrings		
5,325,717	A		7/1994	Robbins et al.		
D368,864	S		4/1996	Weterrings		
D371,976	S	*	7/1996	Tucker	D10/46.3
D374,181	S		10/1996	Weterrings		
5,678,450	A		10/1997	Robbins et al.		
D403,256	S		12/1998	Weterrings		
D417,629	S		12/1999	Weterrings		
D467,823	S	*	12/2002	McGuyer	D10/46.3

* cited by examiner

Primary Examiner—Terry A. Wallace

(74) *Attorney, Agent, or Firm*—Kramer Levin Naftalis &
Frankel, LLP; Gregor N. Neff

(57) **CLAIM**

The ornamental design for an adjustable spoon, as shown
and described.

DESCRIPTION

FIG. 1 is a right side perspective view of the adjustable
spoon;

FIG. 2 is a left side perspective view of the adjustable spoon;

FIG. 3 is a front elevation view of the adjustable spoon;

FIG. 4 is a right side elevation view of the adjustable spoon;

FIG. 5 is a rear elevation view of the adjustable spoon;

FIG. 6 is a bottom plan view of the adjustable spoon;

FIG. 7 is a right side perspective view of another embodi-
ment of the adjustable spoon;

FIG. 8 is a left side perspective view of the adjustable spoon
shown in FIG. 7;

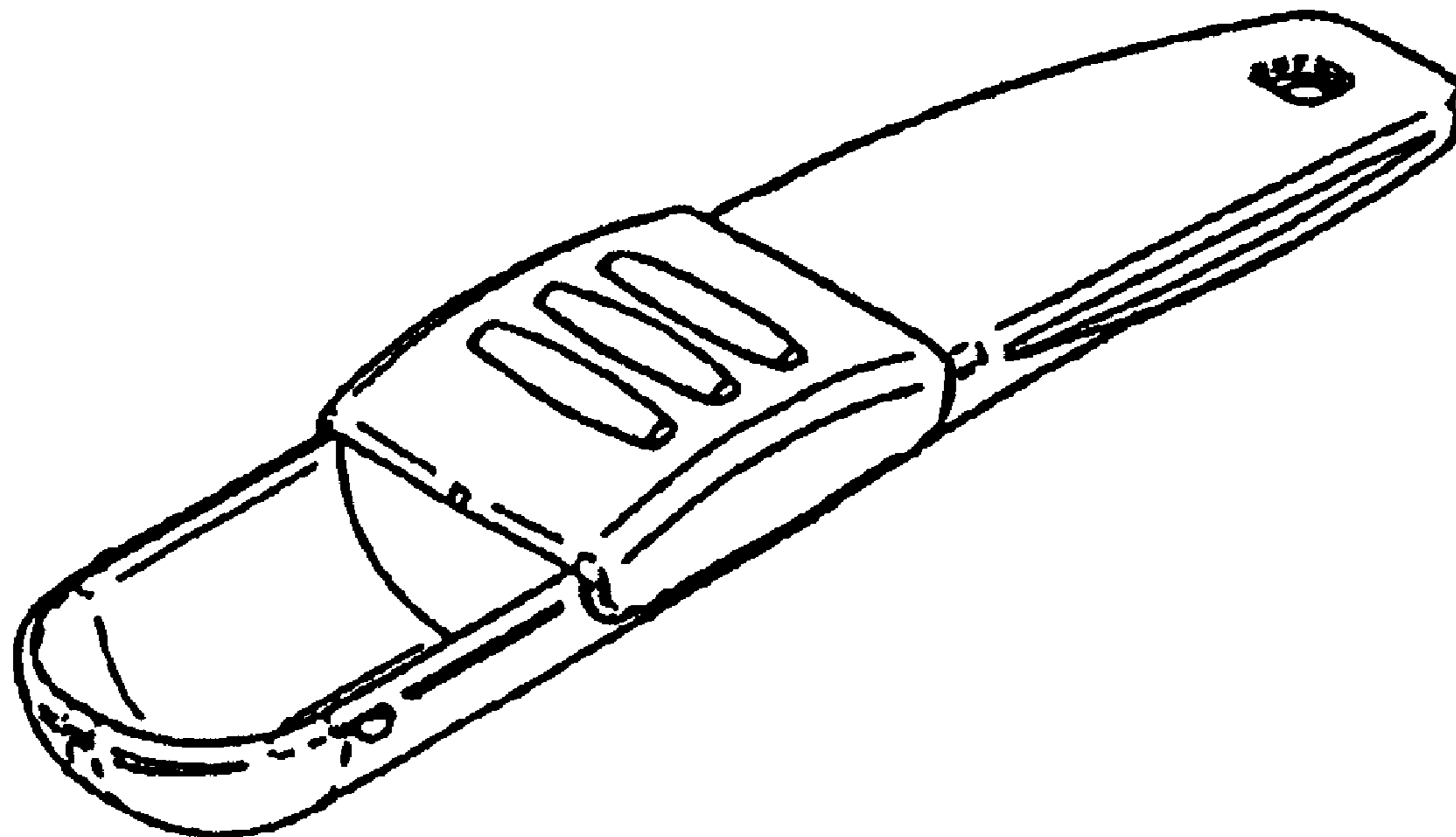
FIG. 9 is a front elevation view of the adjustable spoon of
FIG. 7;

FIG. 10 is a right side elevation view of the adjustable spoon
of FIG. 7;

FIG. 11 is a rear elevation view of the adjustable spoon of
FIG. 7; and,

FIG. 12 is a bottom plan view of the adjustable spoon of
FIG. 7.

1 Claim, 2 Drawing Sheets



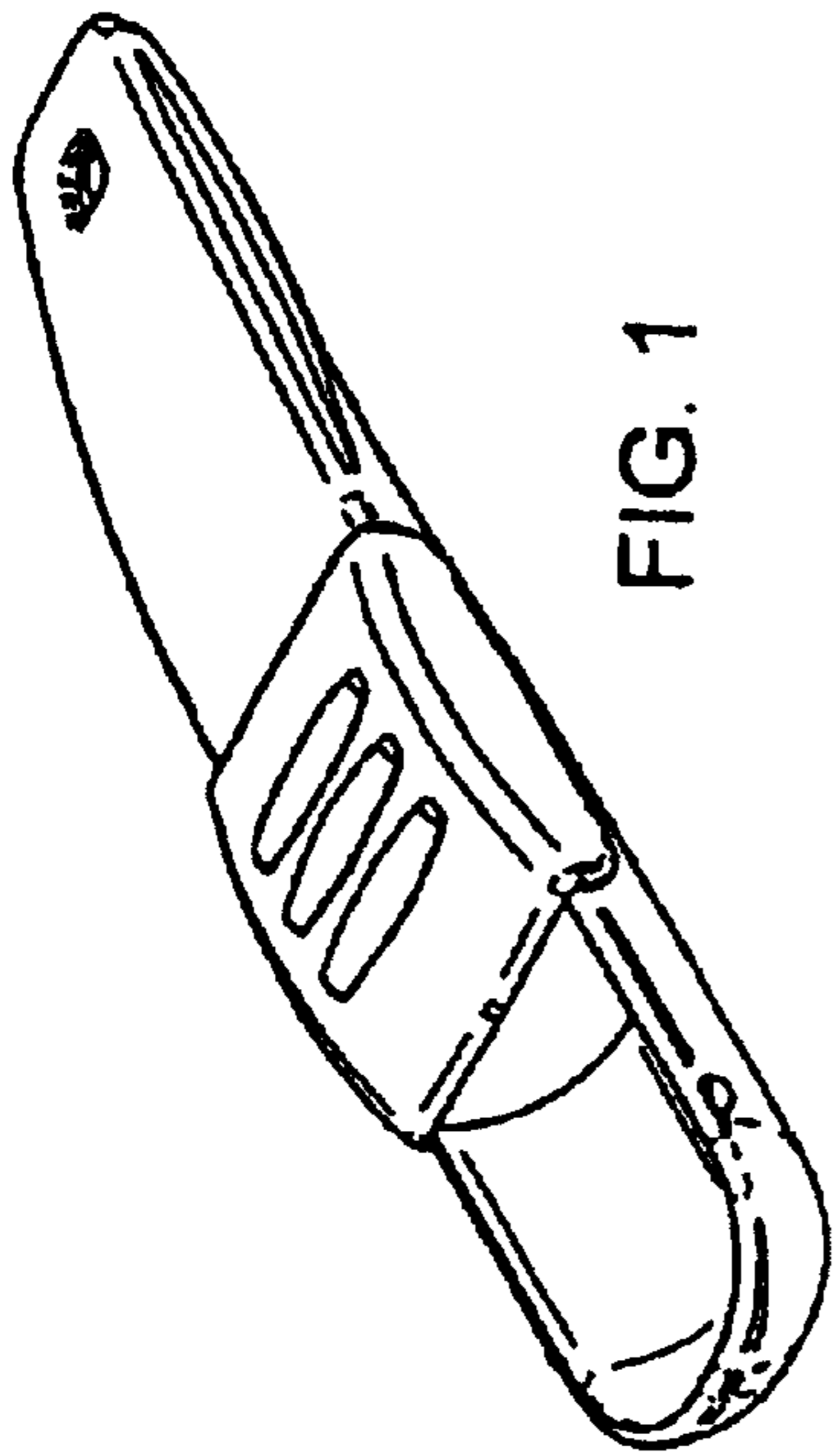


FIG. 1

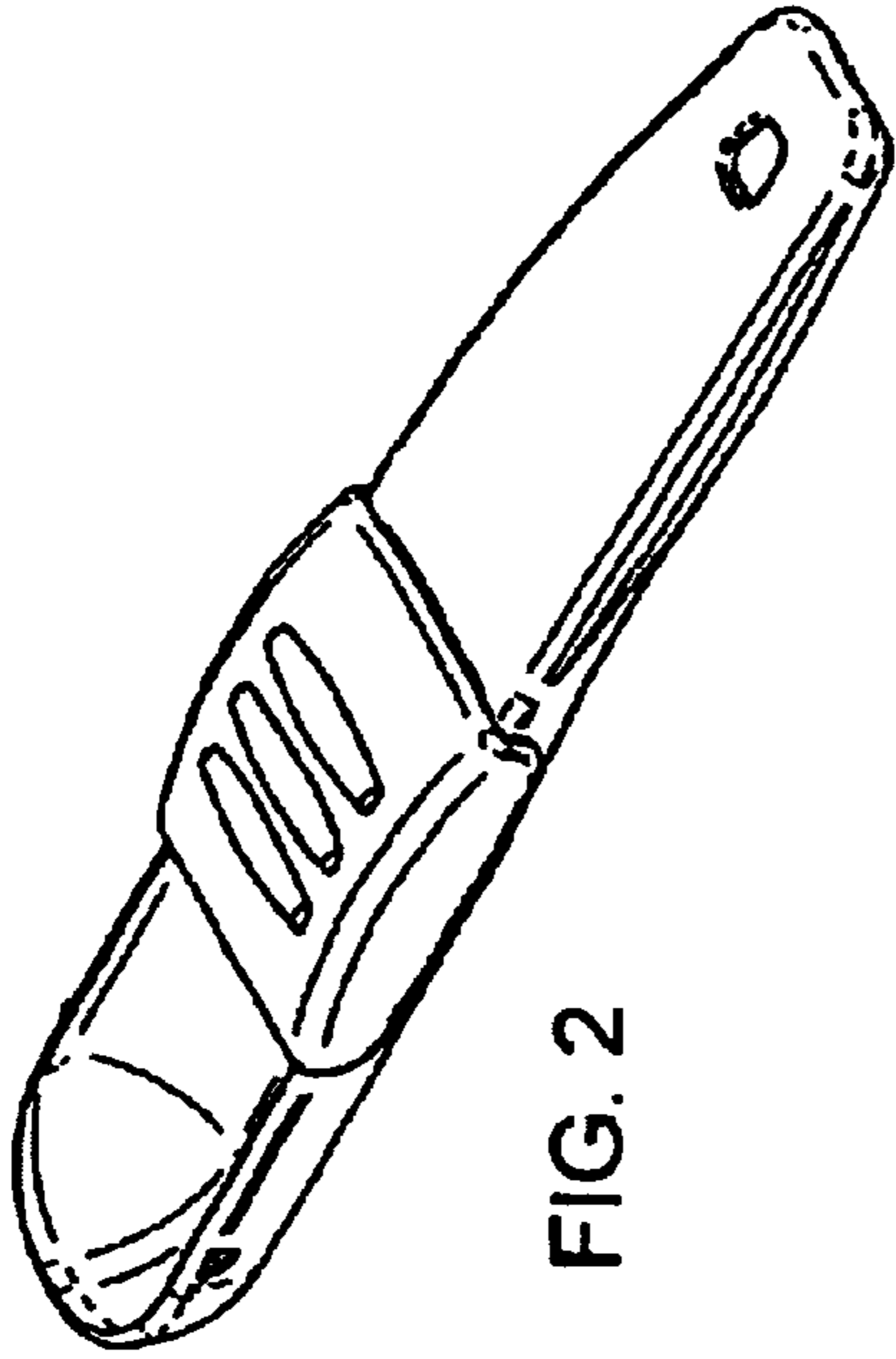


FIG. 2



FIG. 3

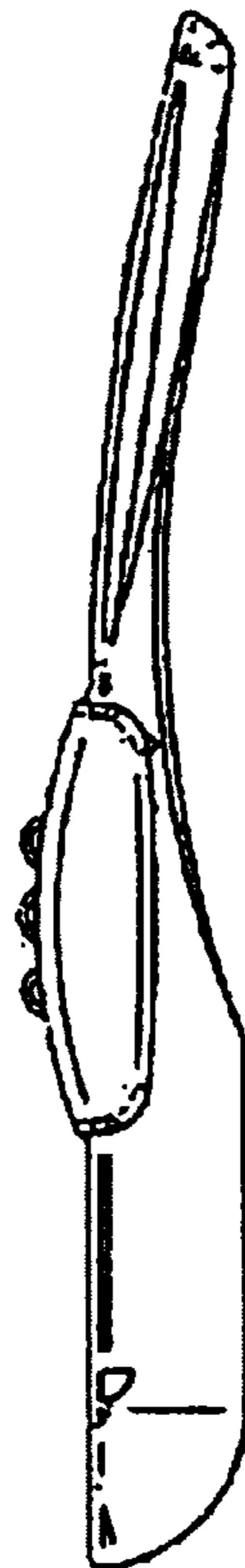


FIG. 4

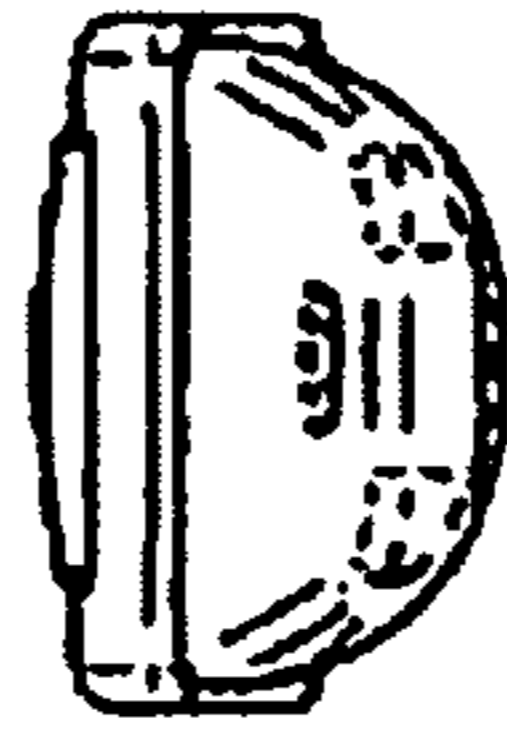


FIG. 5

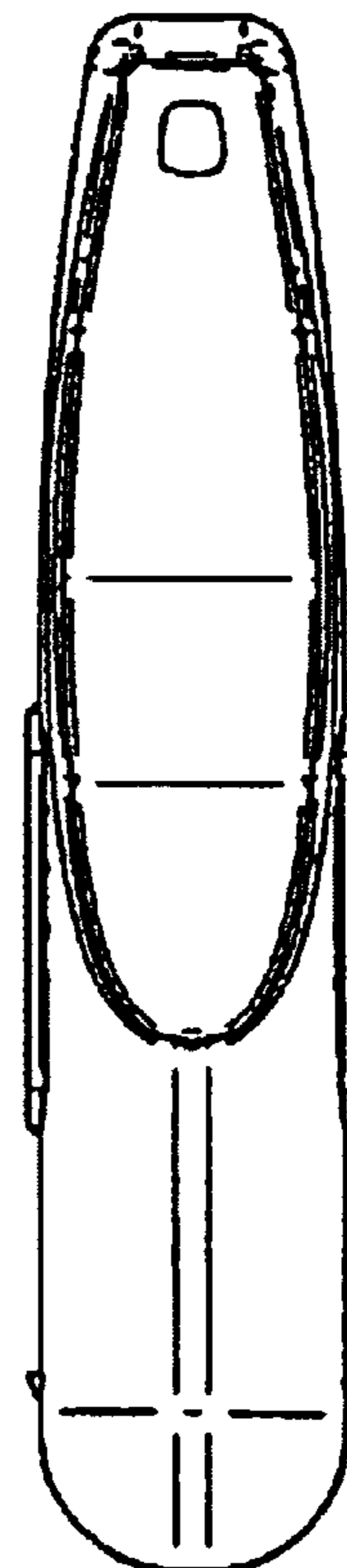


FIG. 6

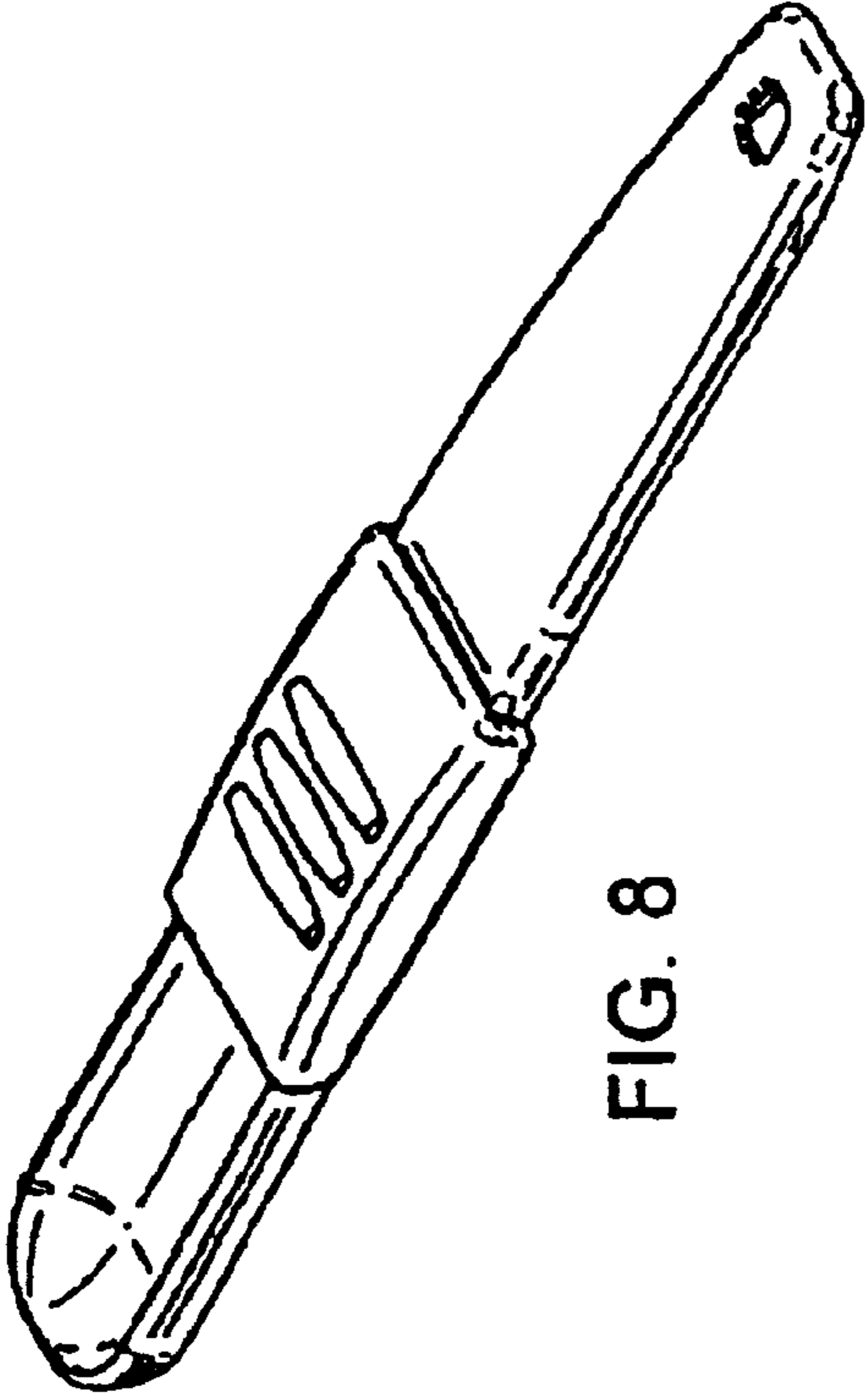


FIG. 7

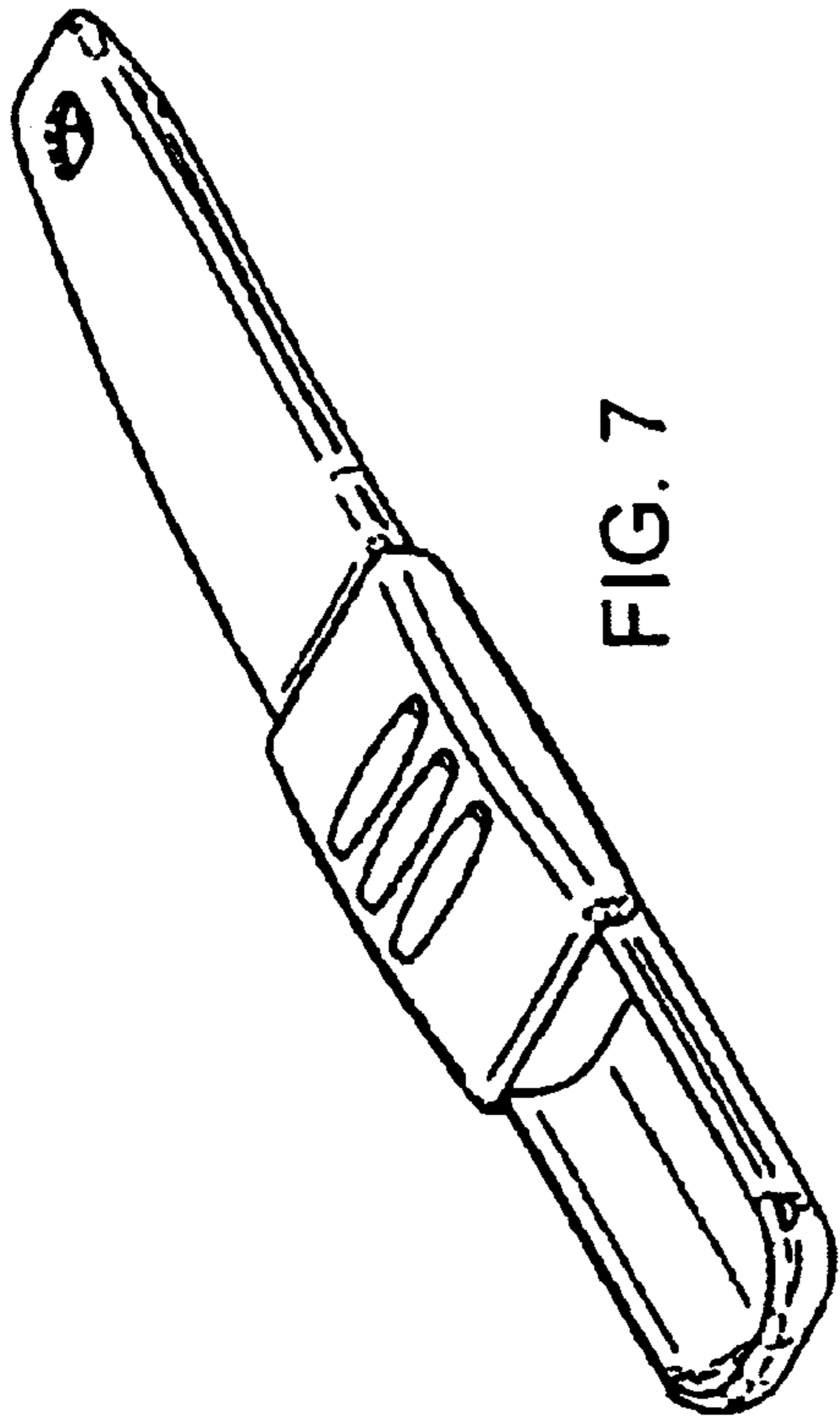


FIG. 8



FIG. 9



FIG. 10



FIG. 11

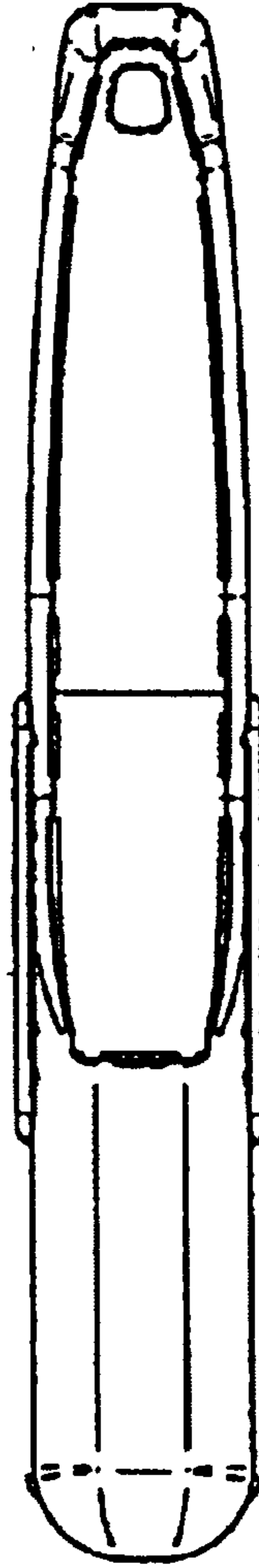


FIG. 12