



US00D519030S

(12) **United States Design Patent**
Matsuda et al.

(10) **Patent No.:** **US D519,030 S**
(45) **Date of Patent:** **** Apr. 18, 2006**

- (54) **CAP**
- (75) Inventors: **Eiko Matsuda**, Ako (JP); **Hirohisa Yokoya**, Ako (JP)
- (73) Assignee: **Earth Chemical Co., Ltd.**, Tokyo (JP)
- (**) Term: **14 Years**
- (21) Appl. No.: **29/214,104**
- (22) Filed: **Sep. 29, 2004**
- (30) **Foreign Application Priority Data**
Mar. 29, 2004 (JP) 2004-009502
- (51) **LOC (8) Cl.** **09-07**
- (52) **U.S. Cl.** **D9/453**
- (58) **Field of Classification Search** D9/453,
D9/449, 447, 446, 440, 435, 434; D6/542;
D19/66; D24/130; 222/562, 556; 220/288,
220/259.3; 215/237, 235, 230
See application file for complete search history.

(56) **References Cited**

U.S. PATENT DOCUMENTS

D261,619 S * 11/1981 Borkan D9/437

4,678,097 A * 7/1987 Crute 220/288
 5,934,492 A * 8/1999 Jones 215/230
 D451,393 S * 12/2001 Gerhart et al. D9/453
 D465,731 S * 11/2002 Brant et al. D9/453

* cited by examiner

Primary Examiner—Robert M. Spear
Assistant Examiner—Susan Bennett Hattan
 (74) *Attorney, Agent, or Firm*—Sughrue Mion, PLLC

(57) **CLAIM**

The ornamental design for a cap, as shown and described.

DESCRIPTION

FIG. 1 is a perspective view of the top, front and right side of a cap showing our new design;
 FIG. 2 is a front elevational view thereof, the rear elevational view being identical thereto;
 FIG. 3 is a right side elevational view thereof, the left side elevational view being identical thereto;
 FIG. 4 is a top plan view thereof;
 FIG. 5 is a bottom plan view thereof; and,
 FIG. 6 is a cross sectional view taken along the line 6—6 as shown in FIG. 2 thereof.

1 Claim, 4 Drawing Sheets

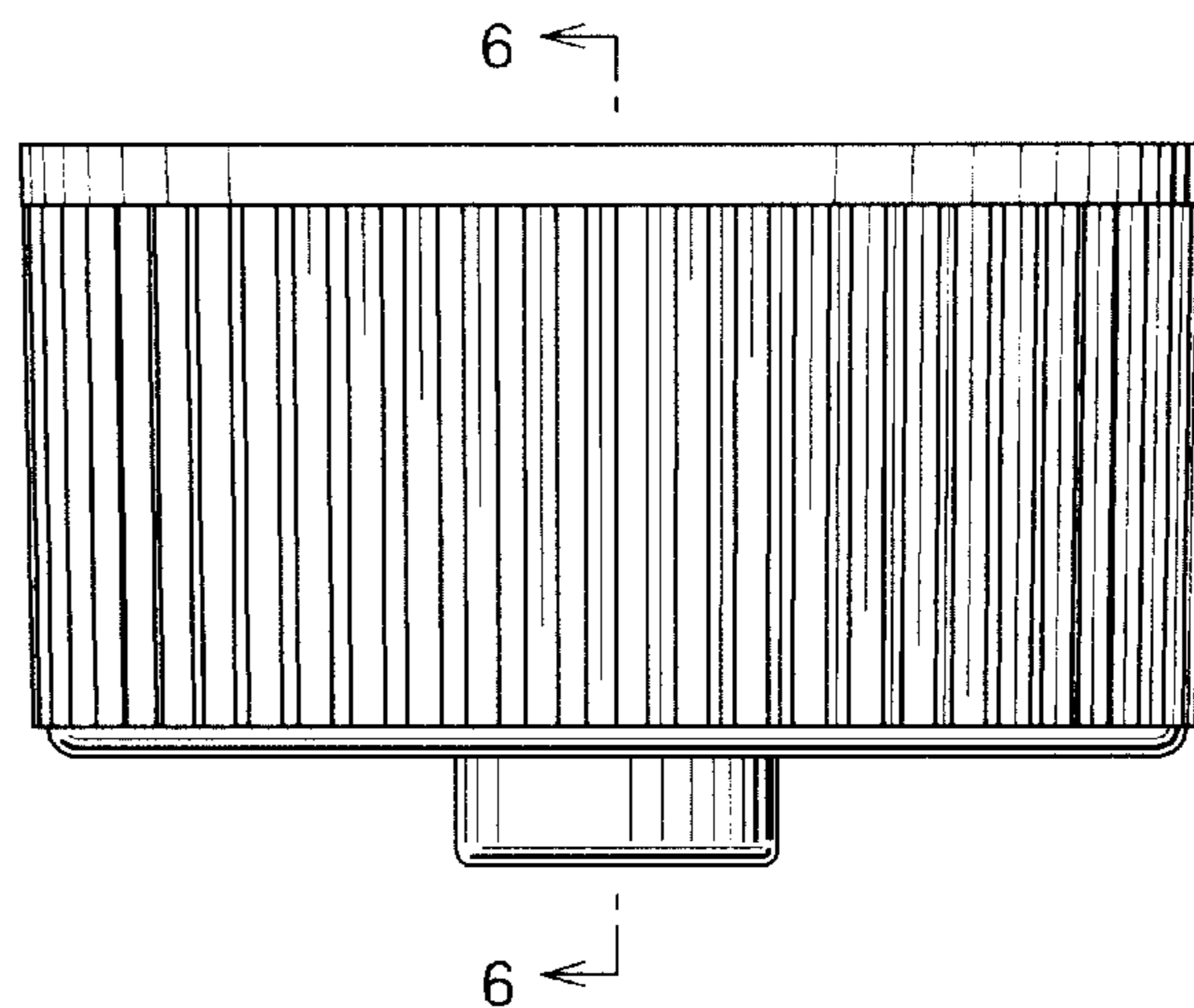
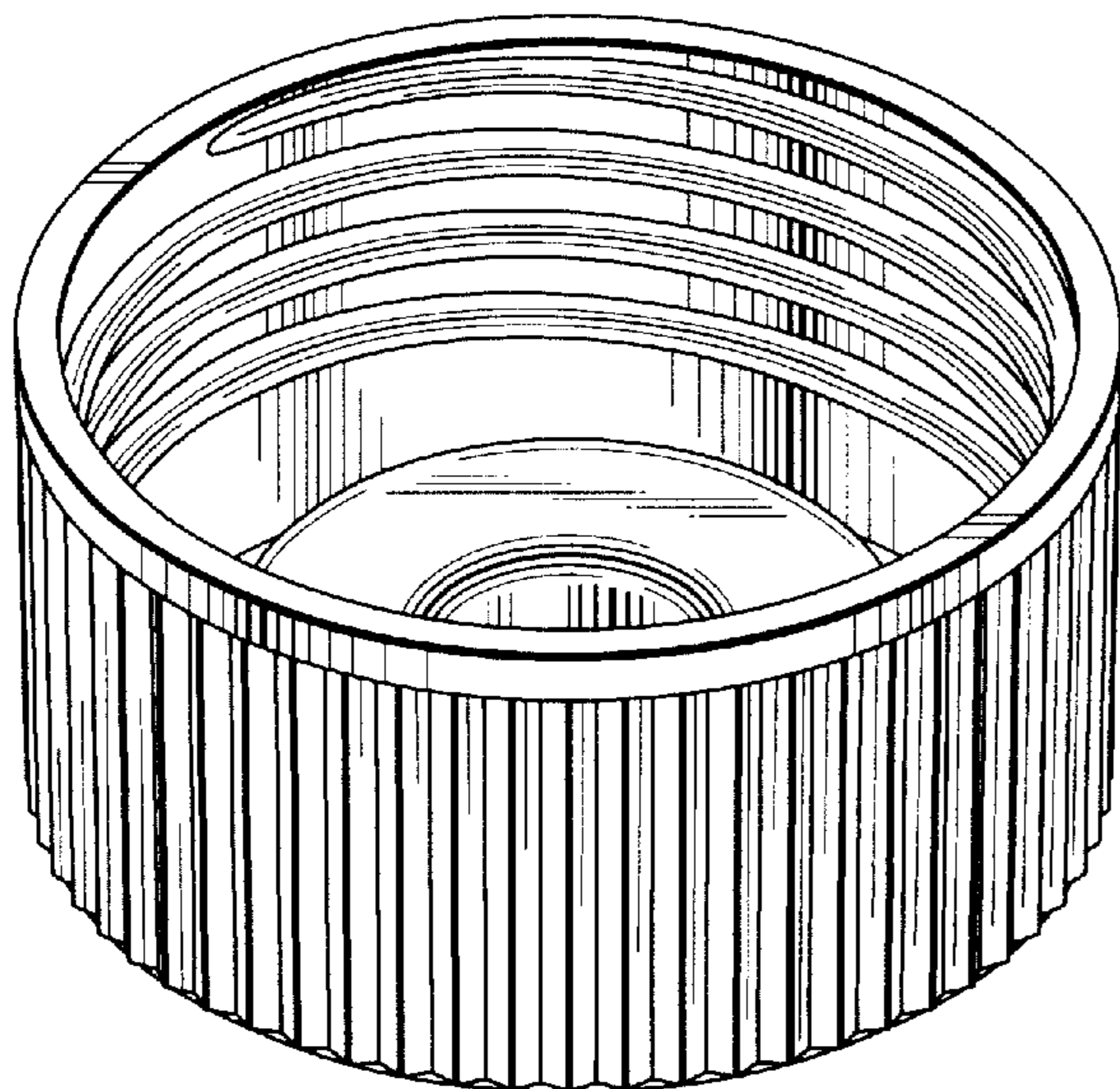


FIG. 1

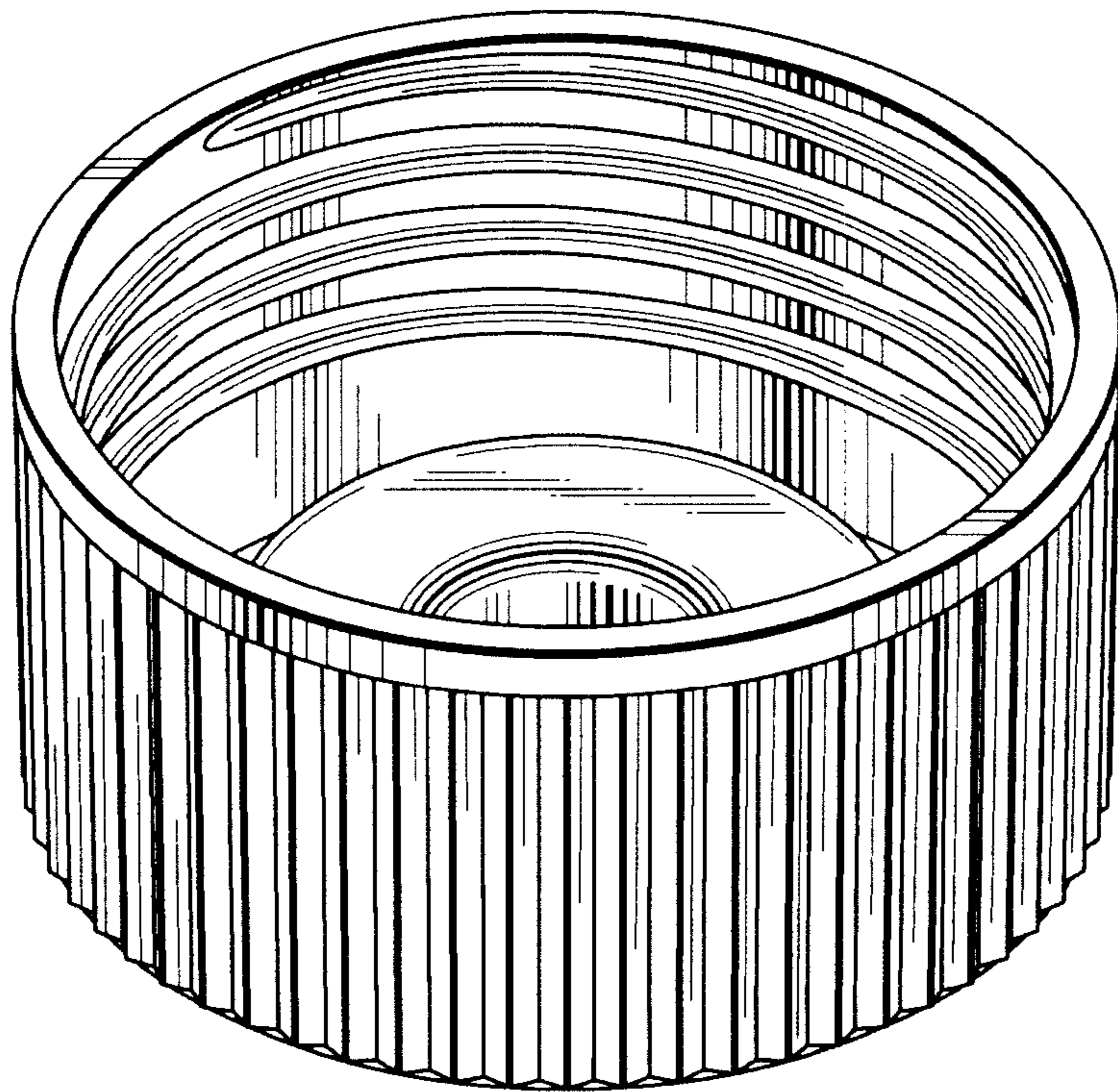


FIG. 2

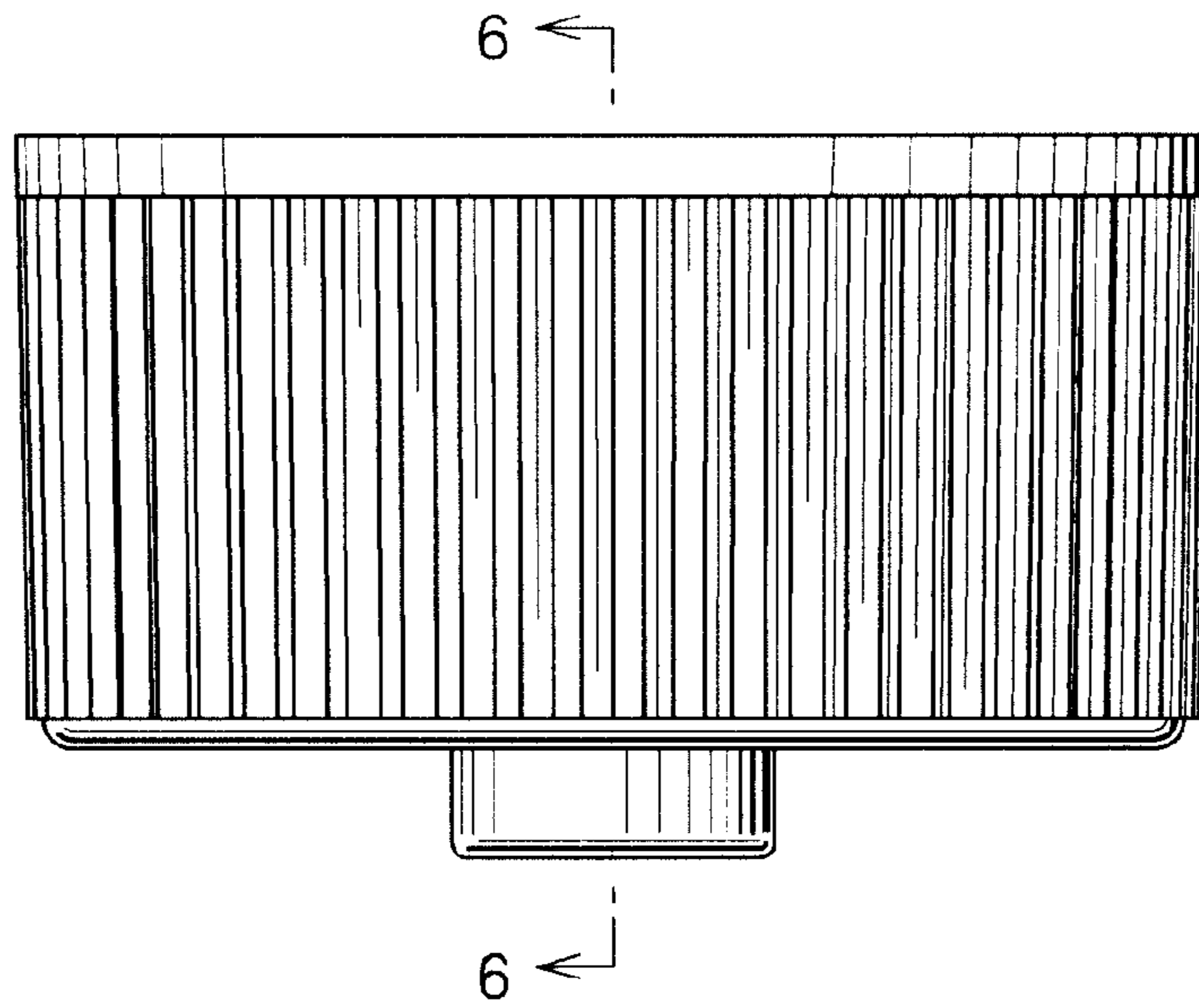


FIG. 3

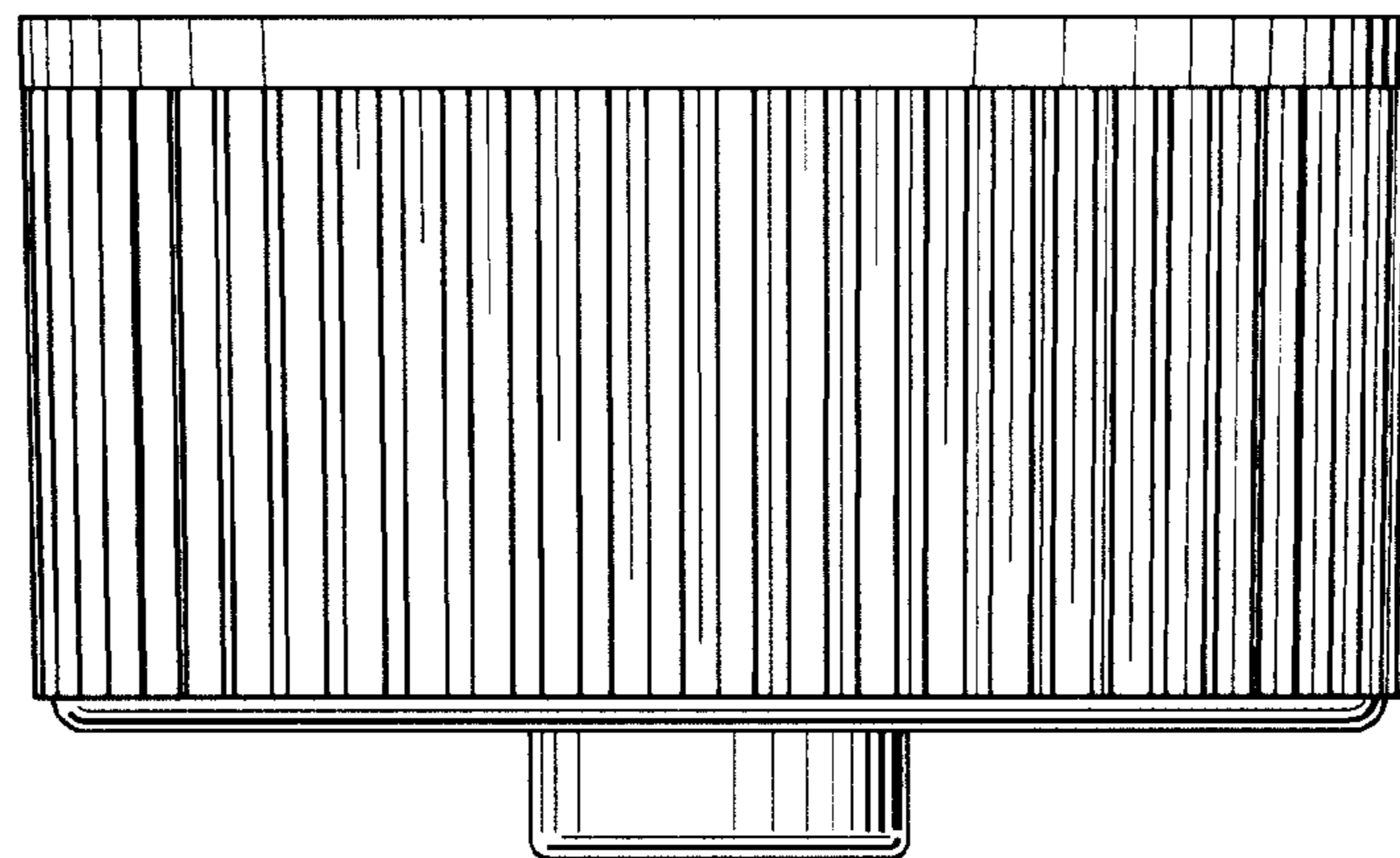


FIG. 4

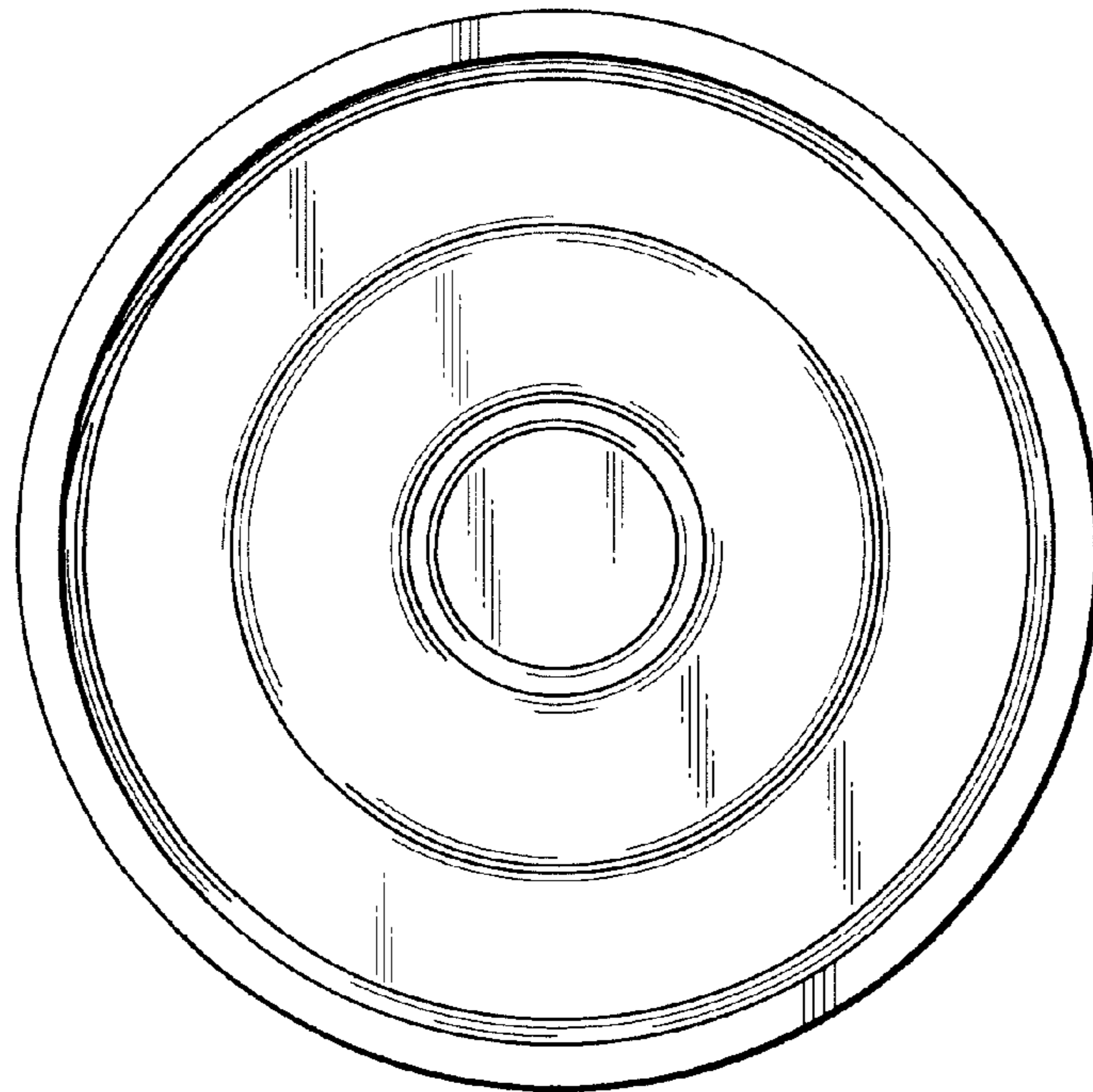


FIG. 5

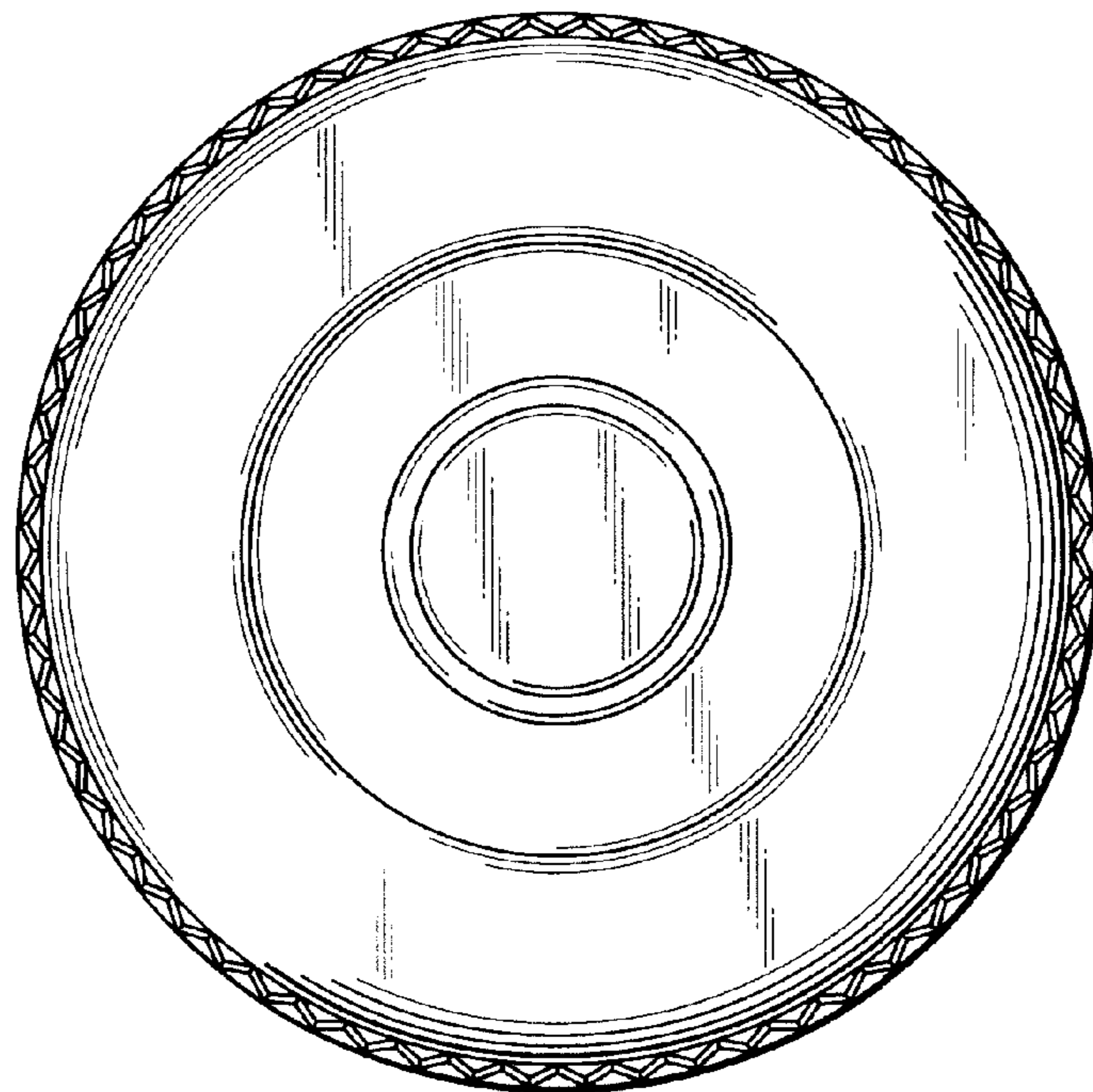


FIG. 6

