



US00D519029S

(12) **United States Design Patent**
Hicks et al.

(10) **Patent No.:** **US D519,029 S**
(45) **Date of Patent:** **** Apr. 18, 2006**

(54) **CLOSURE**

- (75) Inventors: **Marge M. Hicks**, Eagle, WI (US);
Alan P. Hickok, Waukesha, WI (US);
Katja Wood, Milwaukee, WI (US)
- (73) Assignee: **Seaquist Closure Foreign, Inc.**, Crystal Lake, IL (US)
- (**) Term: **14 Years**
- (21) Appl. No.: **29/208,007**
- (22) Filed: **Jun. 22, 2004**
- (51) **LOC (8) Cl.** **09-07**
- (52) **U.S. Cl.** **D9/453; D9/449**
- (58) **Field of Classification Search** D9/453,
D9/449, 447, 446, 440, 435, 434; D6/542;
D19/66; D24/130; 222/562, 556; 220/288,
220/259.3; 215/237, 235; 264/318
See application file for complete search history.

(56) **References Cited**

U.S. PATENT DOCUMENTS

D292,882 S	*	11/1987	Gross	D9/435
D370,845 S	*	6/1996	Sherman et al.	D9/447
5,642,824 A	*	7/1997	Hess et al.	215/235
D398,852 S		9/1998	Gross		
D476,892 S	*	7/2003	Martin et al.	D9/449
6,631,820 B1	*	10/2003	Harrold et al.	215/237
6,830,721 B1	*	12/2004	Martin	264/318

* cited by examiner

Primary Examiner—Robert M. Spear

Assistant Examiner—Susan Bennett Hattan

(74) *Attorney, Agent, or Firm*—Wood, Phillips, Katz, Clark & Mortimer

(57) **CLAIM**

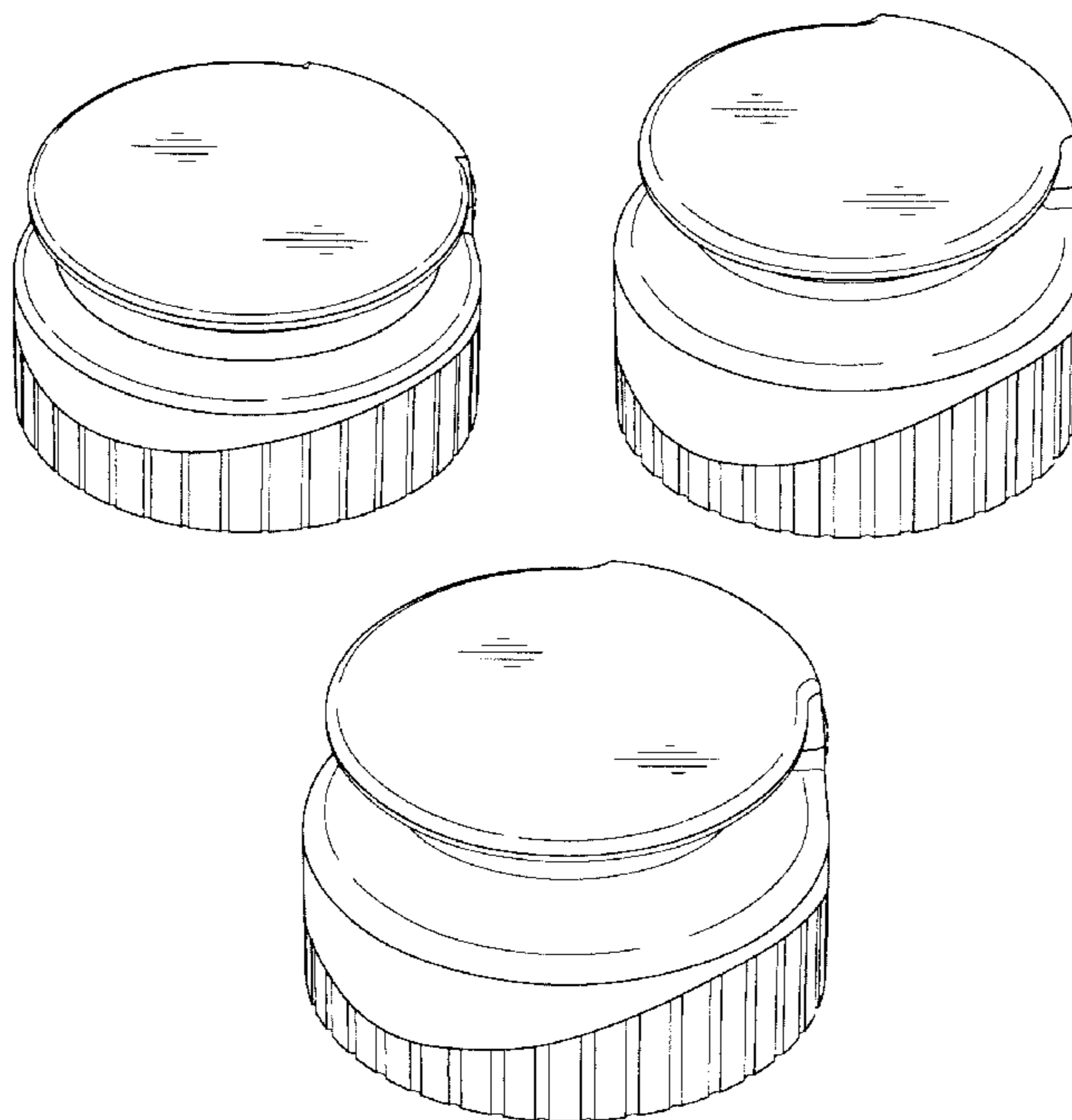
The ornamental design for a closure, as shown and described.

DESCRIPTION

FIG. 1 is a front isometric view of a first embodiment of a closure showing our new design;
 FIG. 2 is a top view thereof;
 FIG. 3 is a front elevational view thereof;
 FIG. 4 is a rear elevational view thereof;
 FIG. 5 is a left side elevational view thereof;
 FIG. 6 is a right side elevational view thereof;
 FIG. 7 is a front isometric view of a second embodiment of the closure showing our new design;
 FIG. 8 is a top view of the second embodiment;
 FIG. 9 is a front elevational view of the second embodiment;
 FIG. 10 is a rear elevational view of the second embodiment;
 FIG. 11 is left side elevational view of the second embodiment;
 FIG. 12 is a right side elevational view of the second embodiment;
 FIG. 13 is a front isometric view of a third embodiment of a closure showing our new design;
 FIG. 14 is a top view of the third embodiment.
 FIG. 15 is a front elevational view of the third embodiment;
 FIG. 16 is a rear elevational view of the third embodiment;
 FIG. 17 is left side elevational view of the third second embodiment; and,
 FIG. 18 is a right side elevational view of the third embodiment.

The broken lines represent unclaimed subject matter.

1 Claim, 3 Drawing Sheets



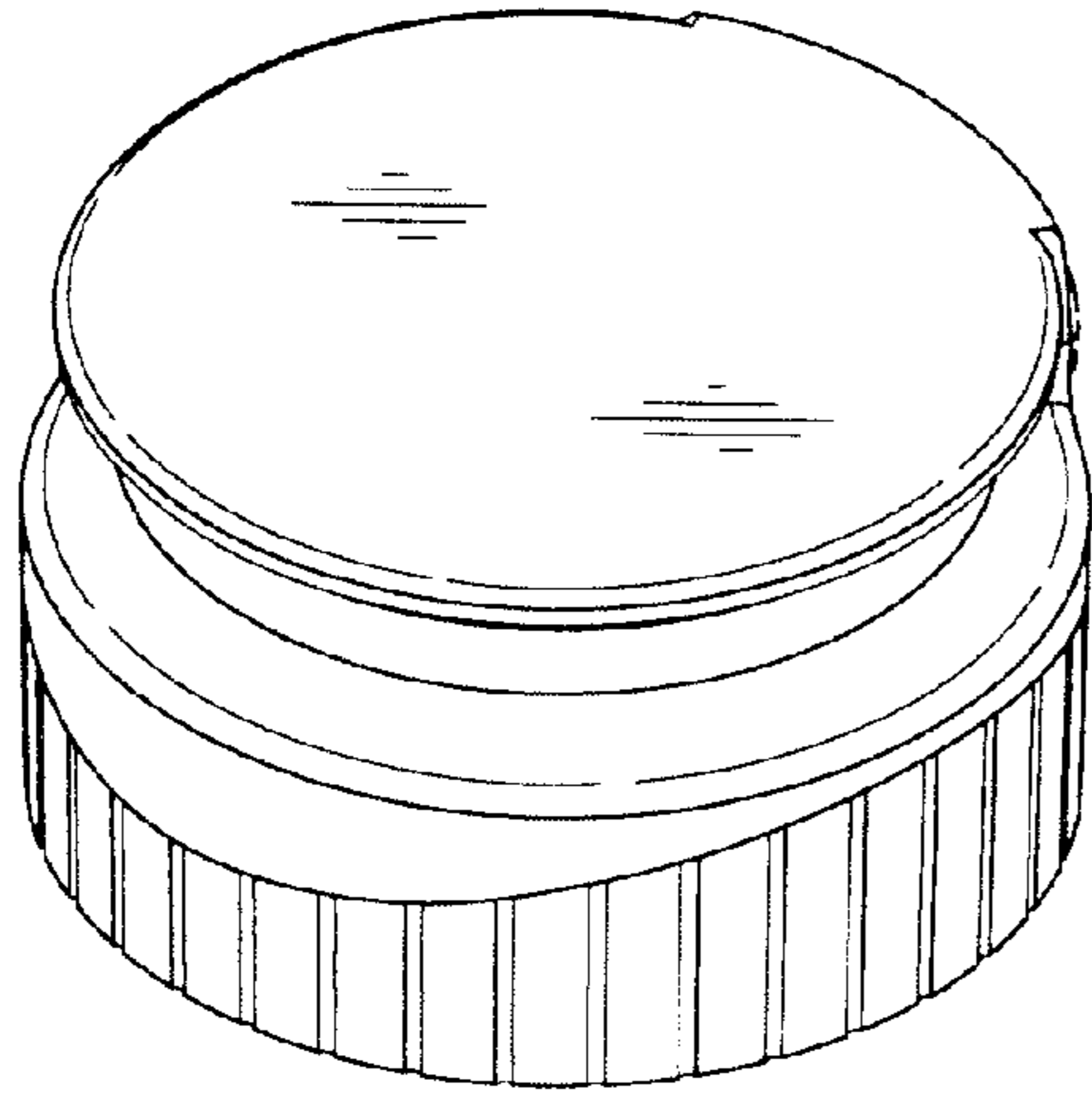


FIG. 1

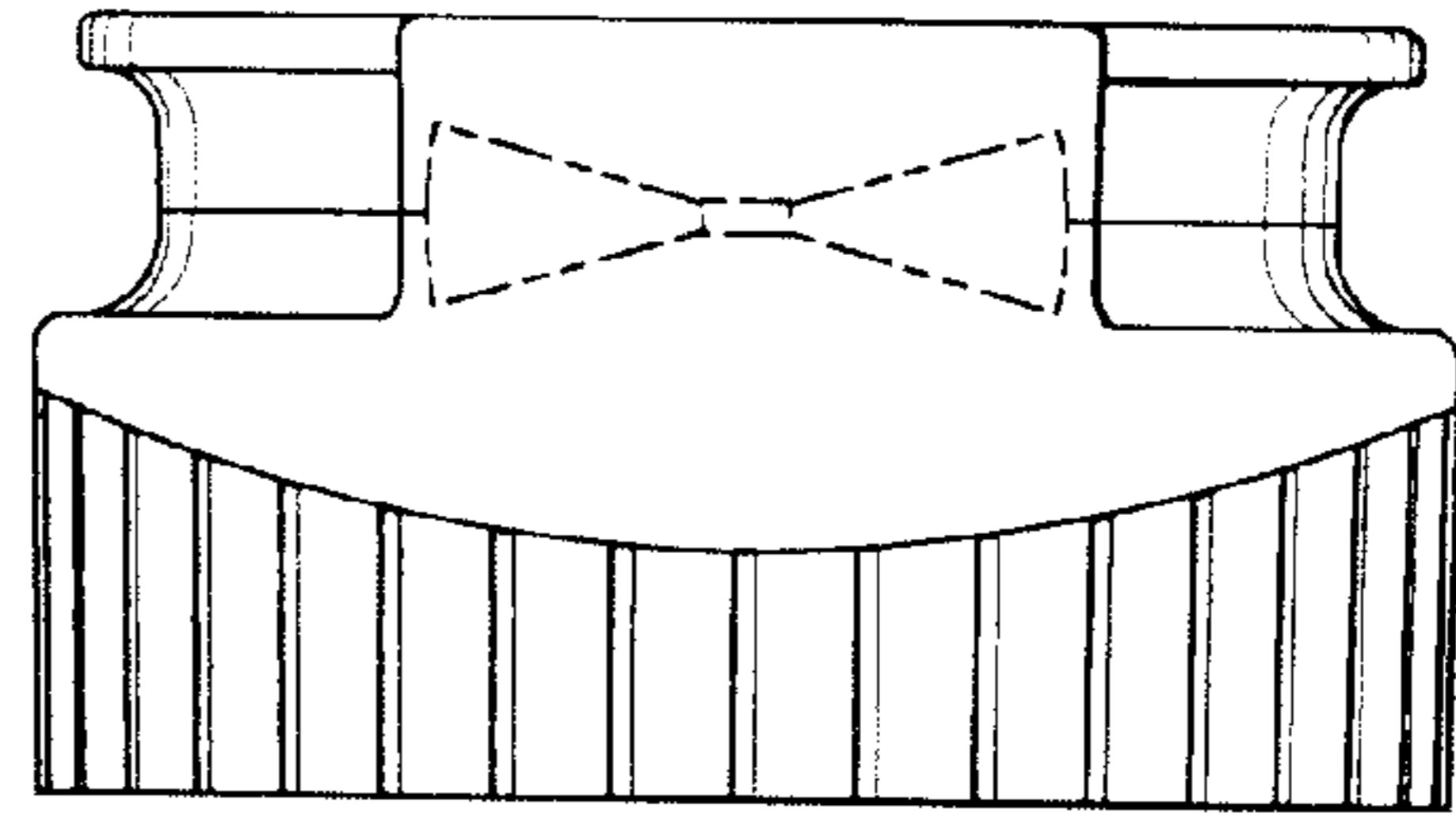


FIG. 4

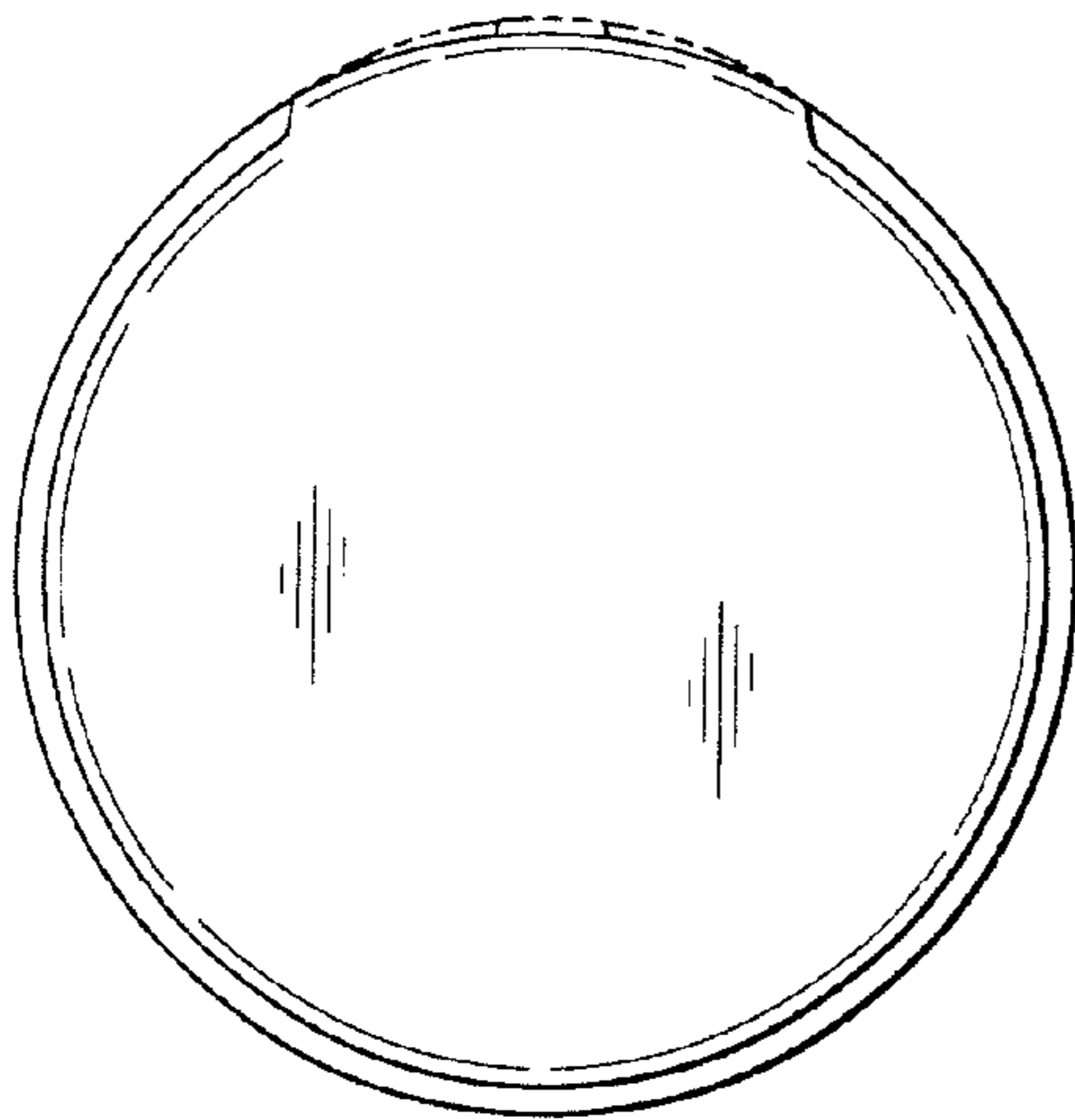


FIG. 2

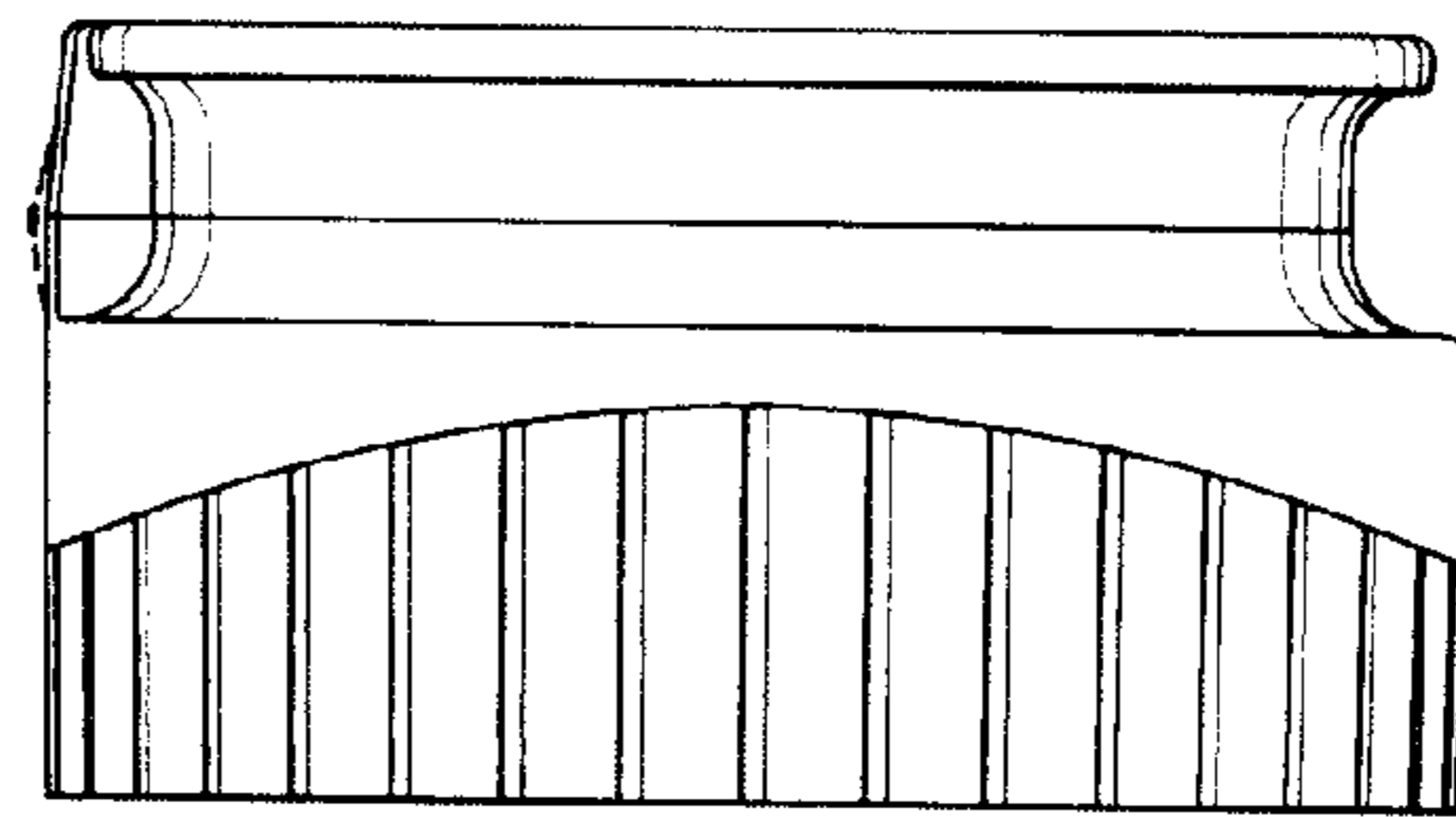


FIG. 5

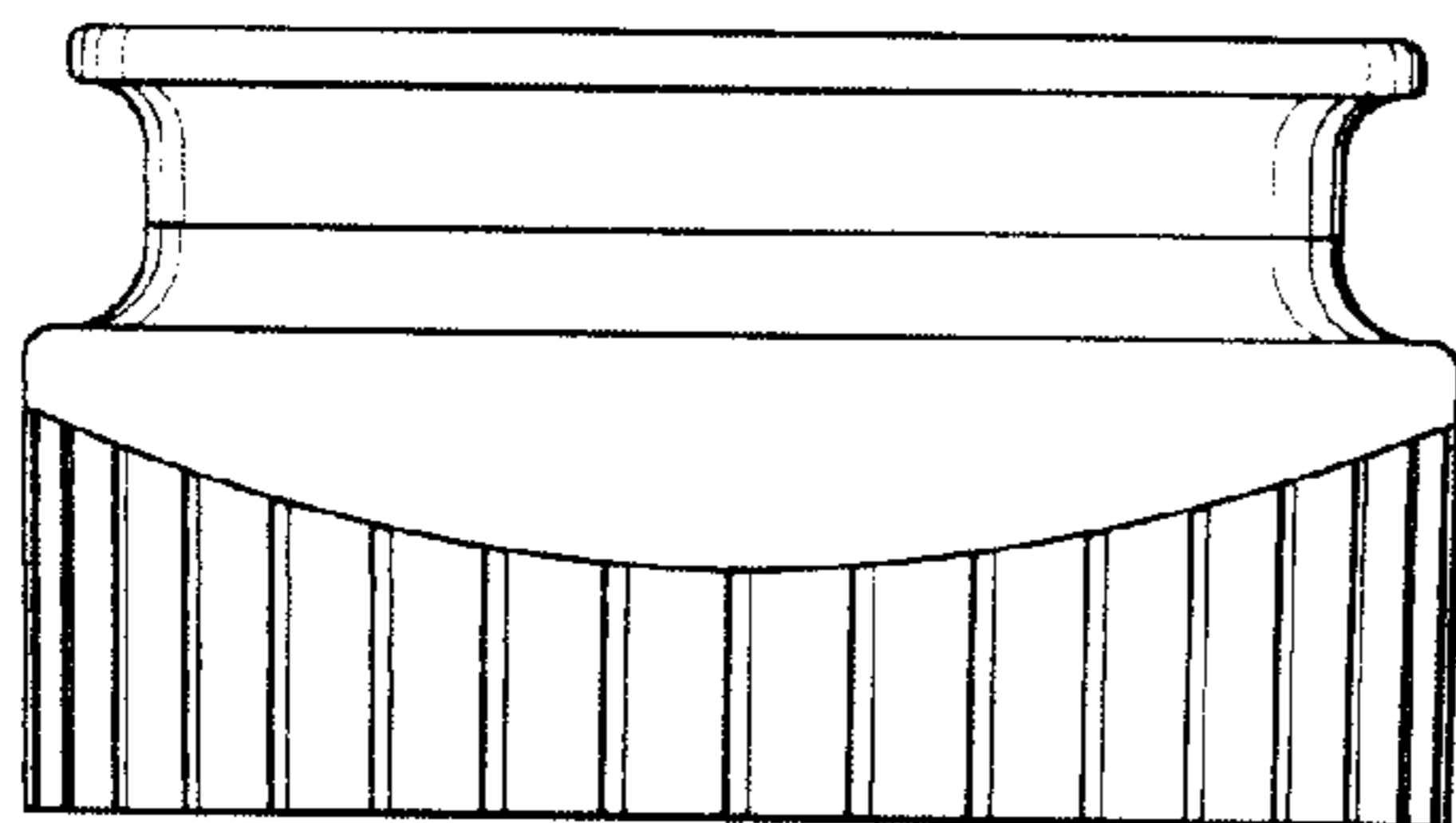


FIG. 3

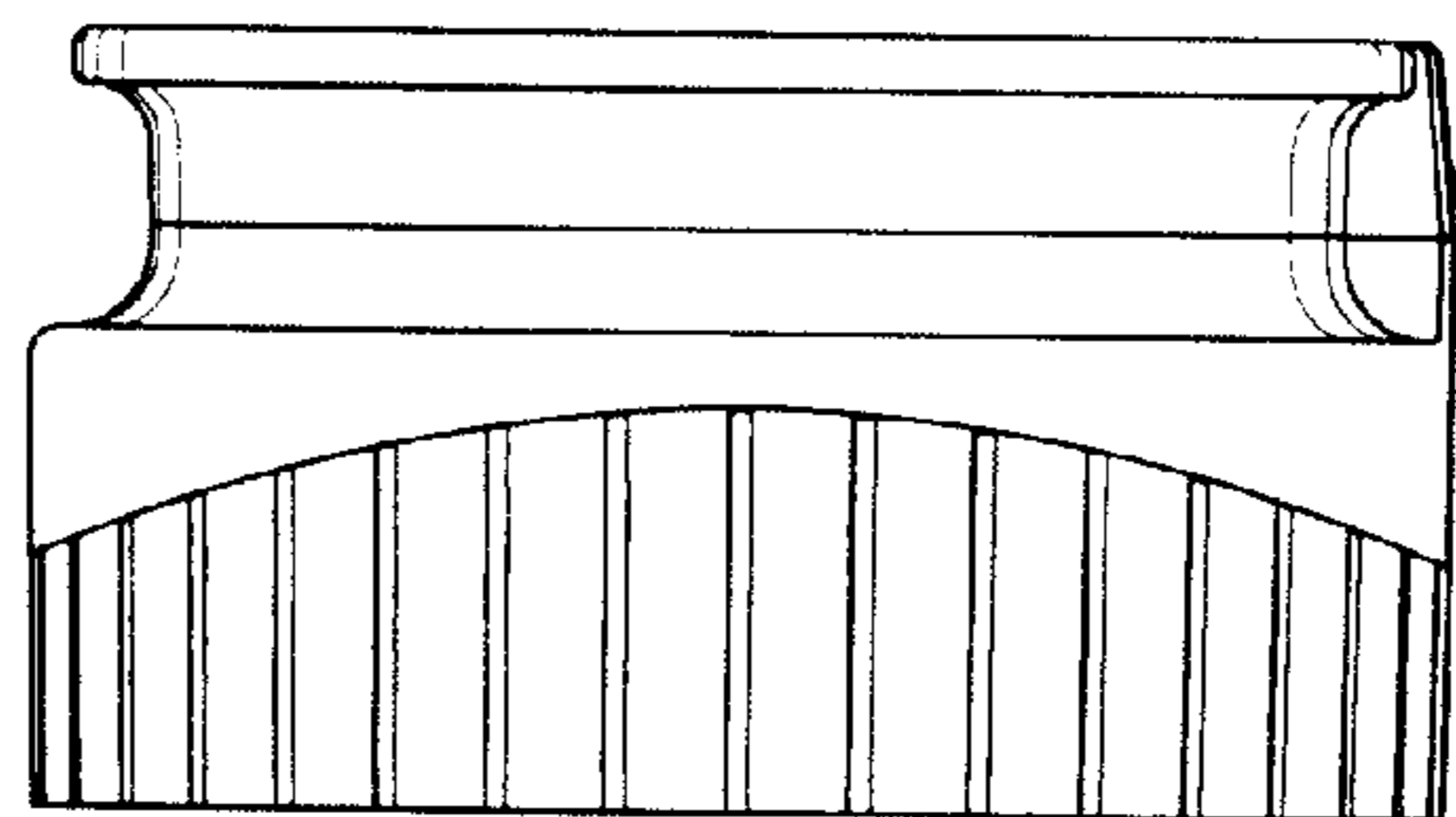


FIG. 6

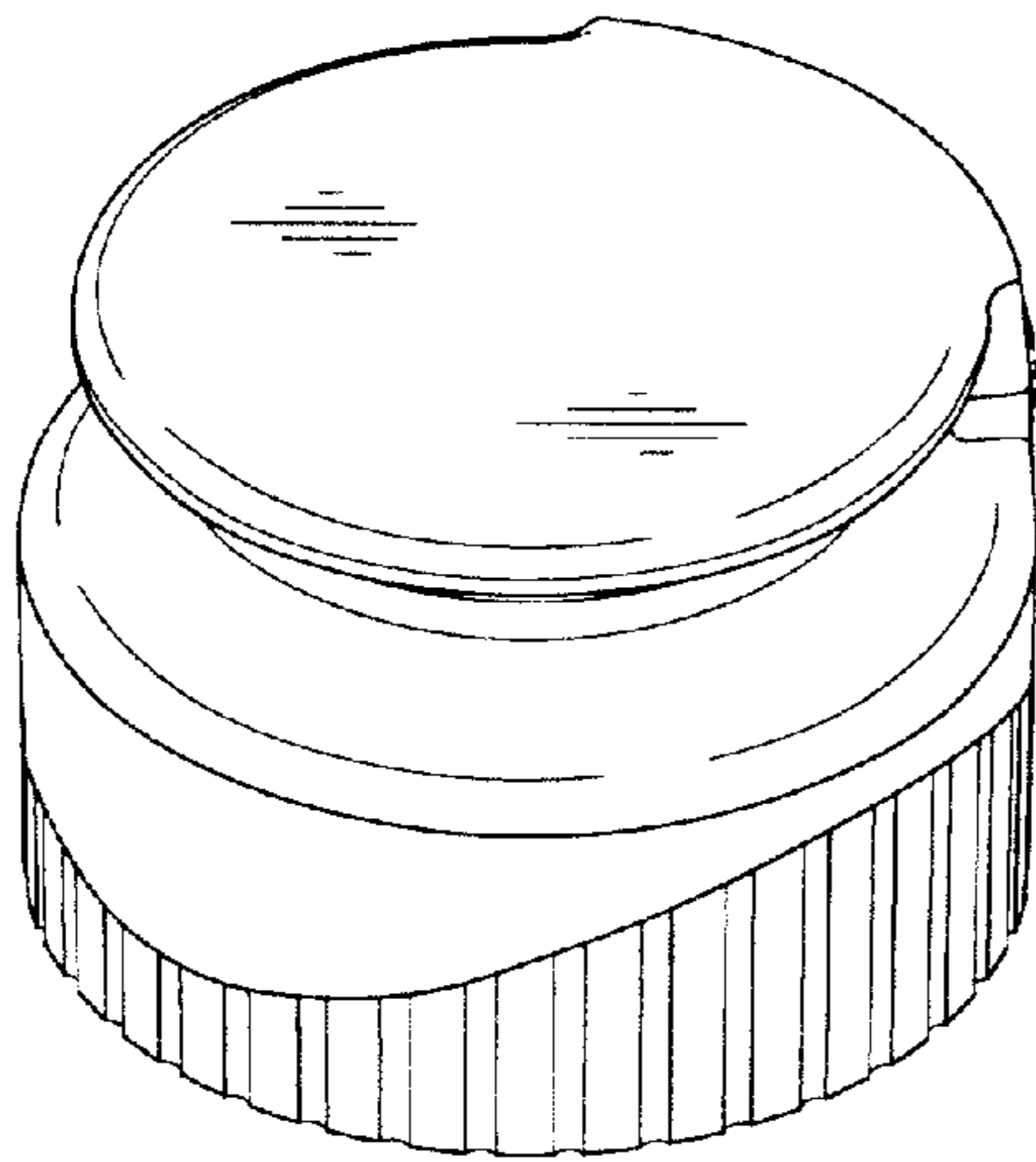


FIG. 7

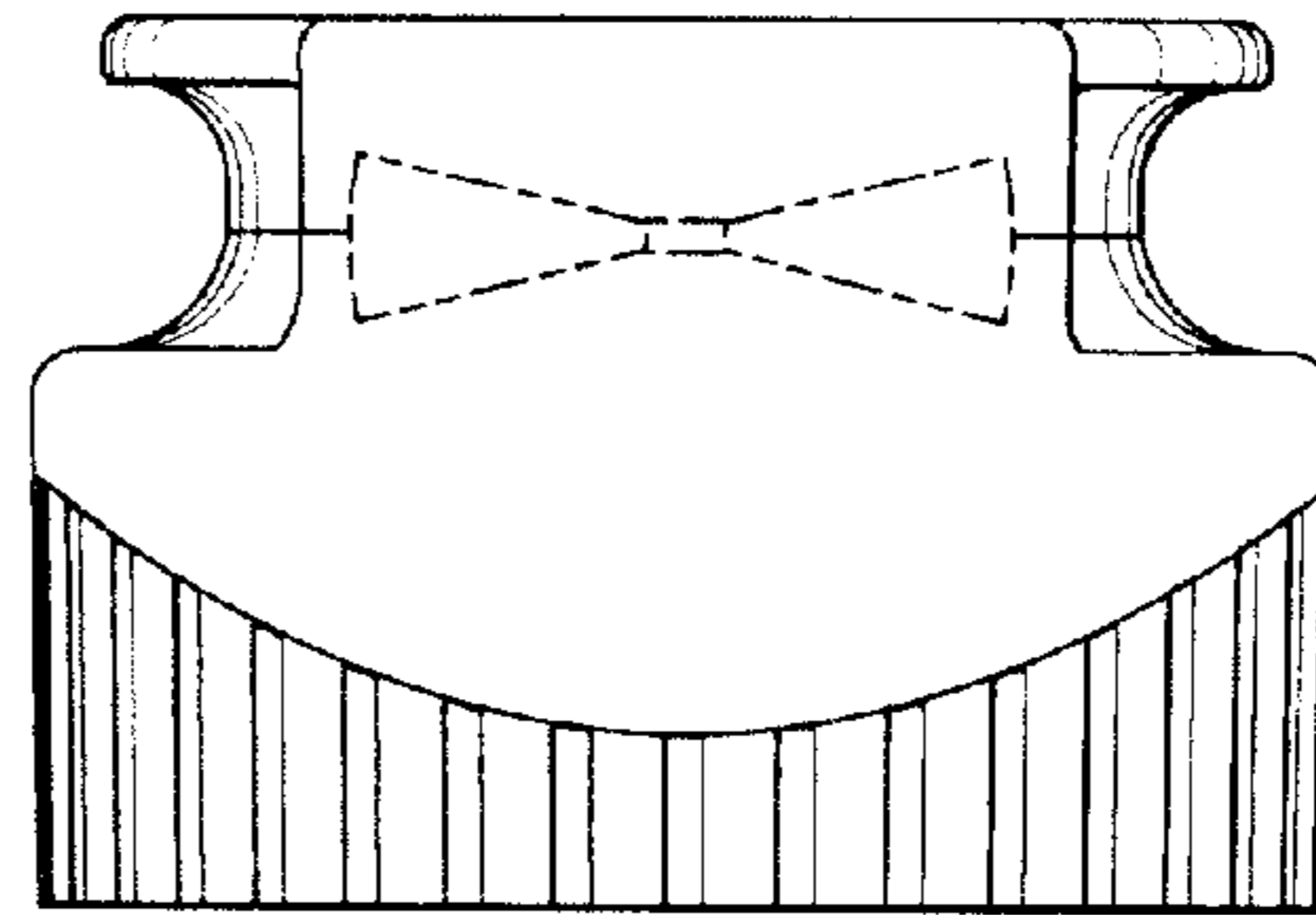


FIG. 10

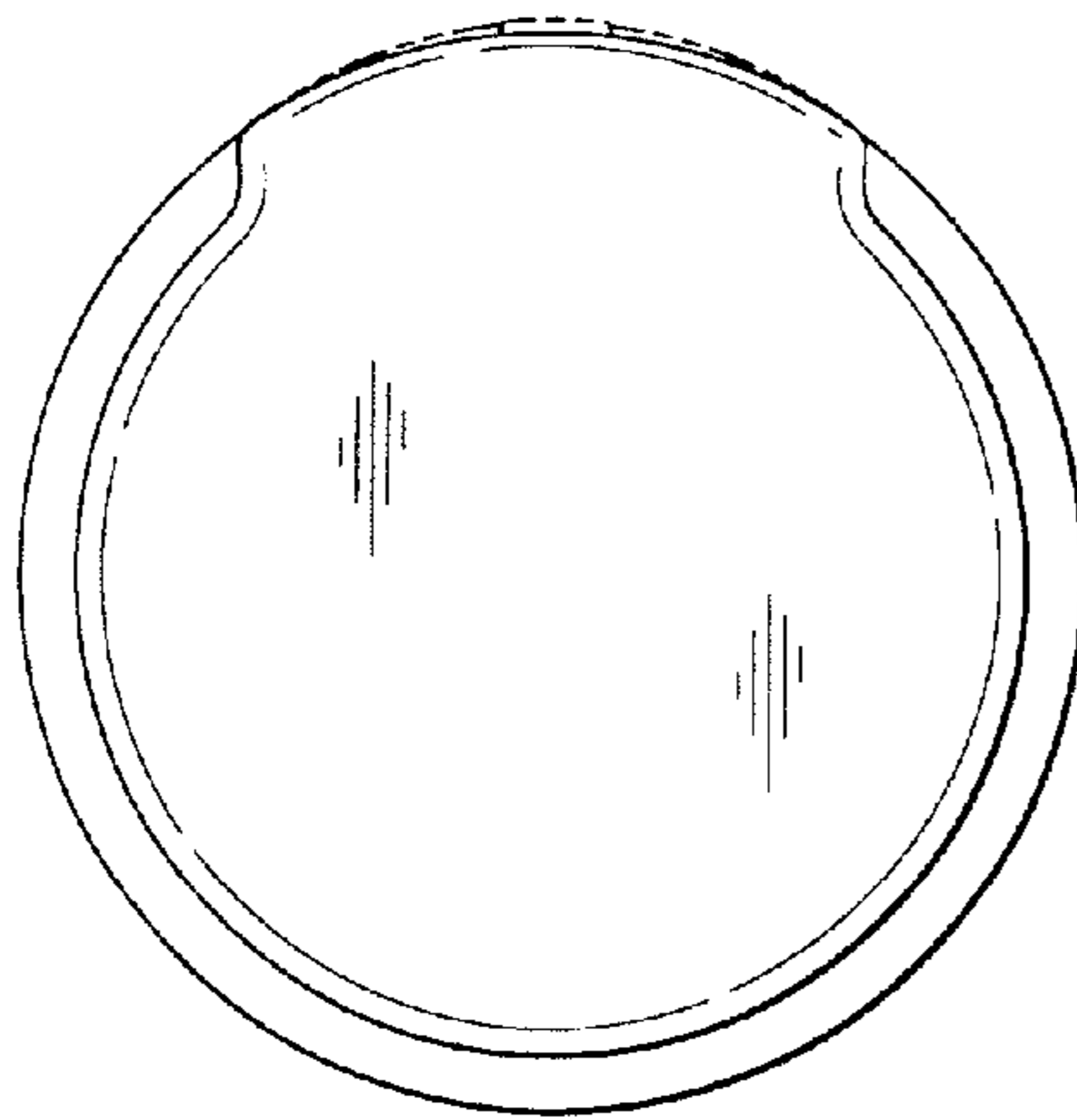


FIG. 8

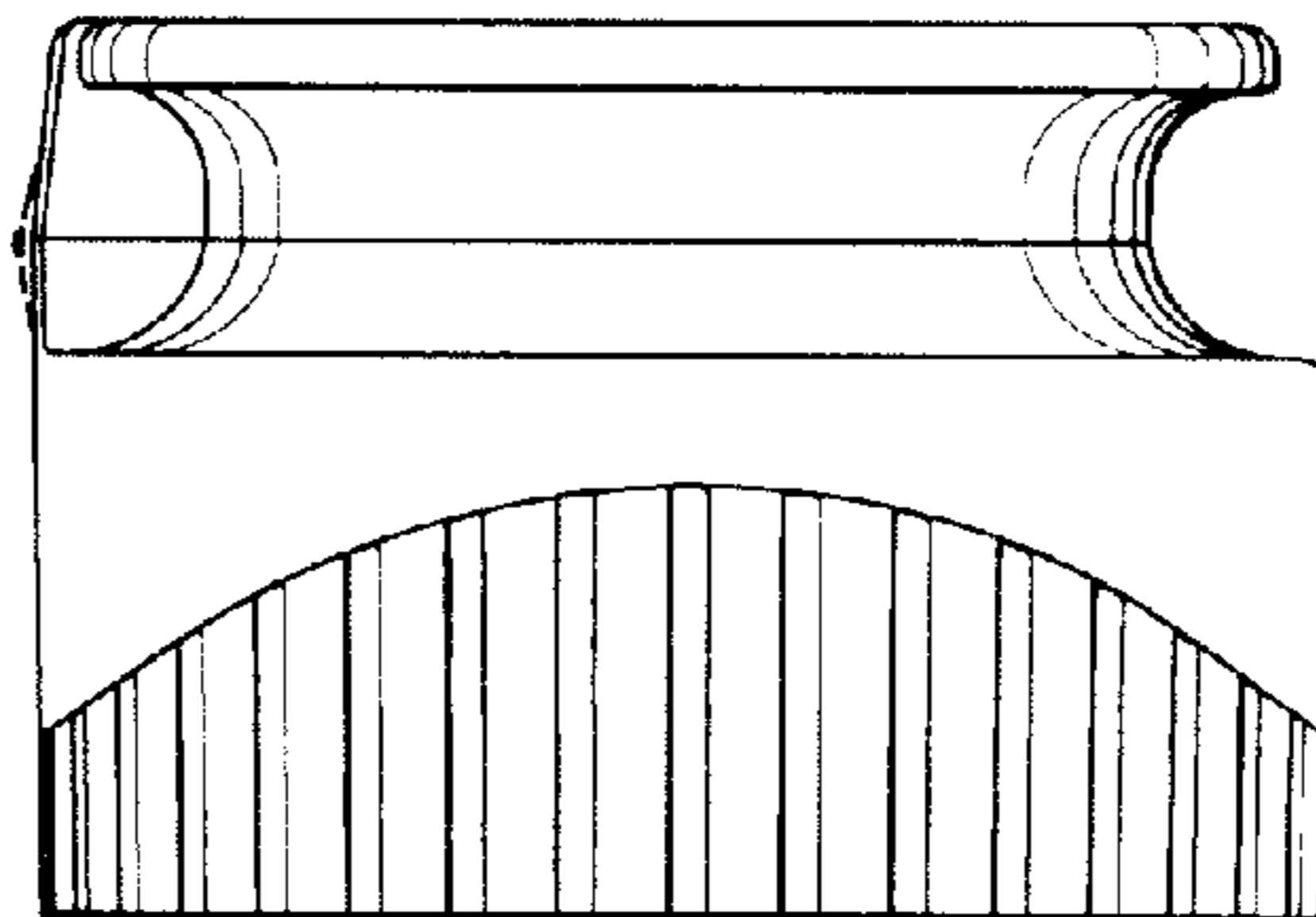


FIG. 11

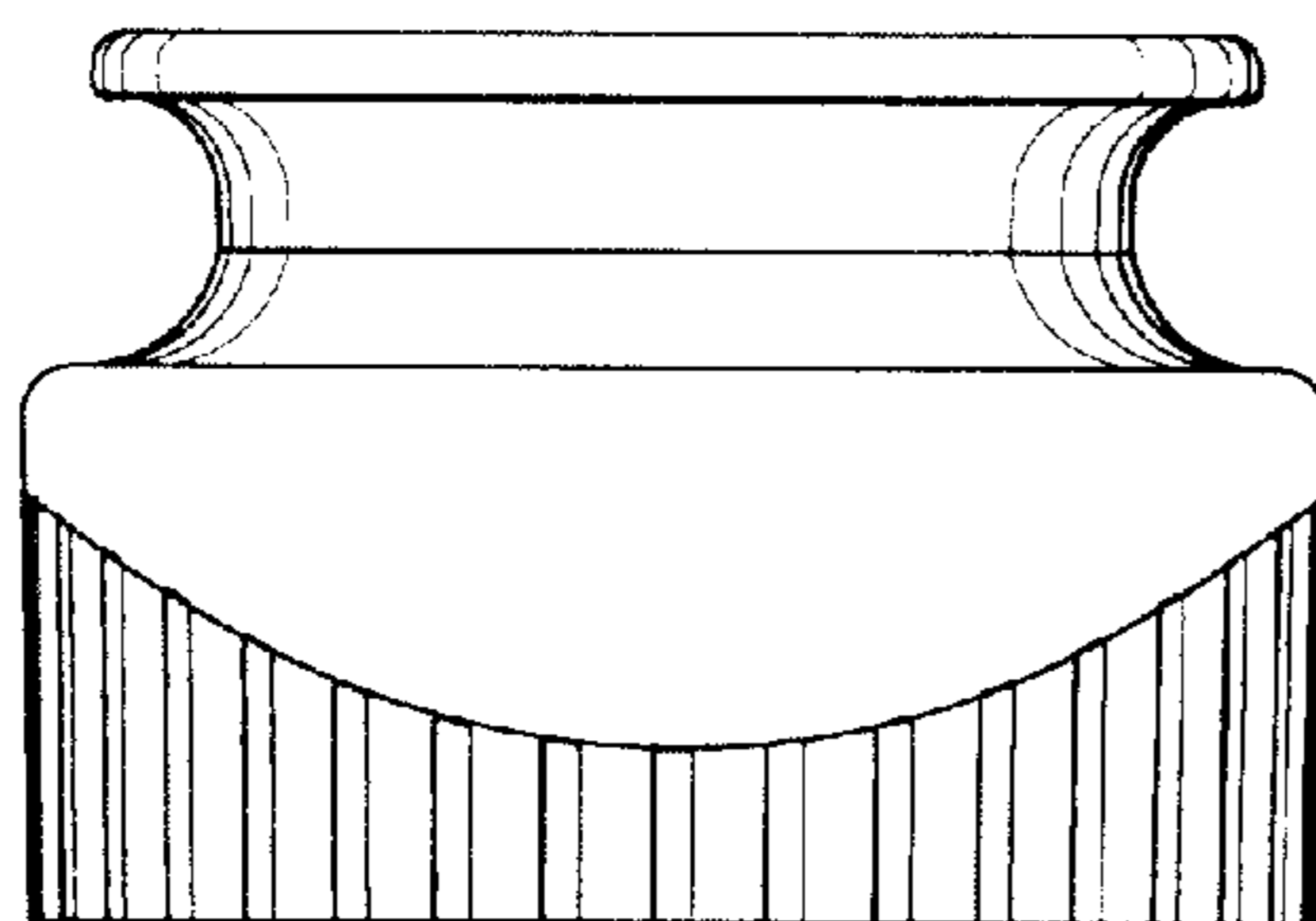


FIG. 9

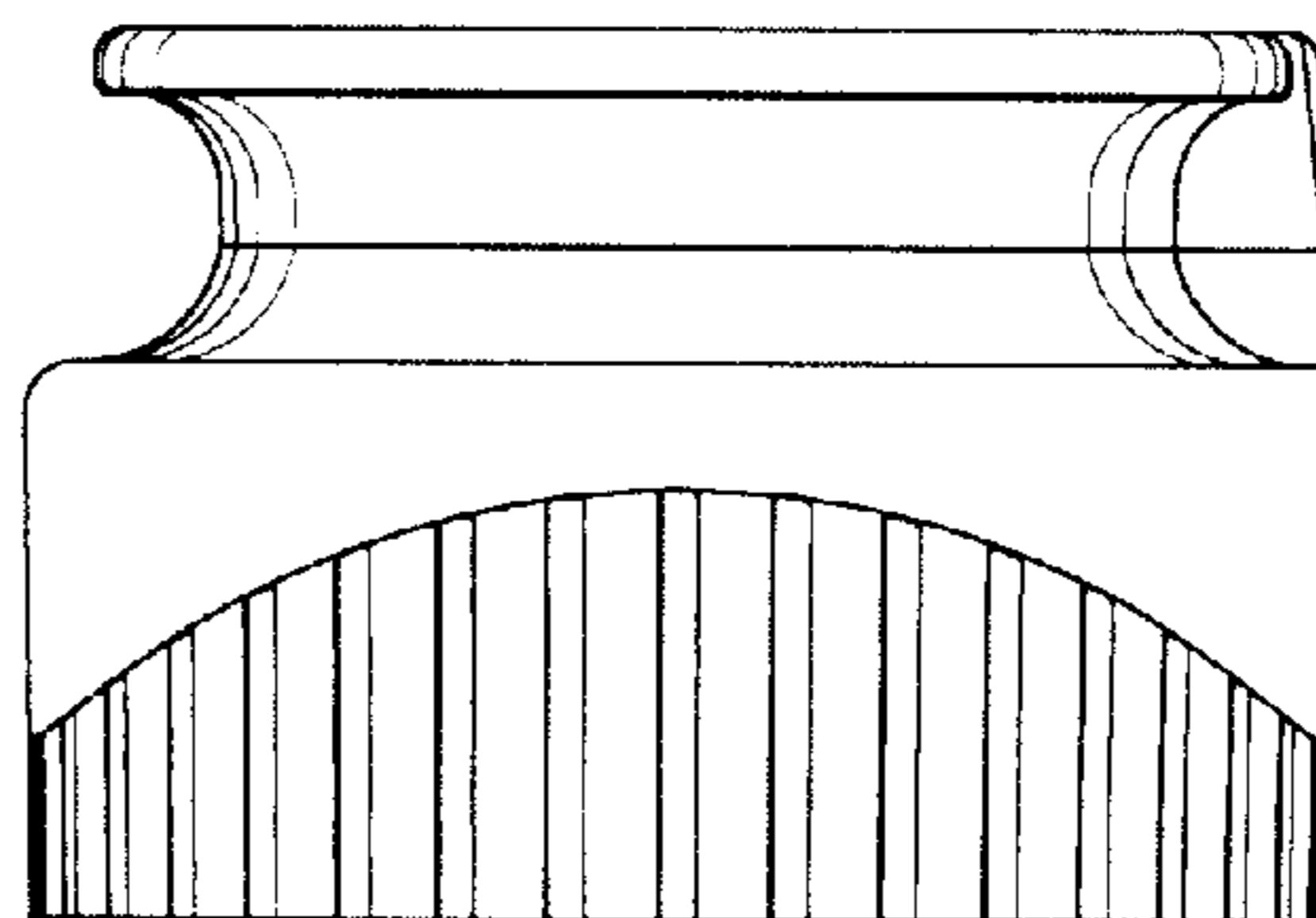


FIG. 12

FIG. 13

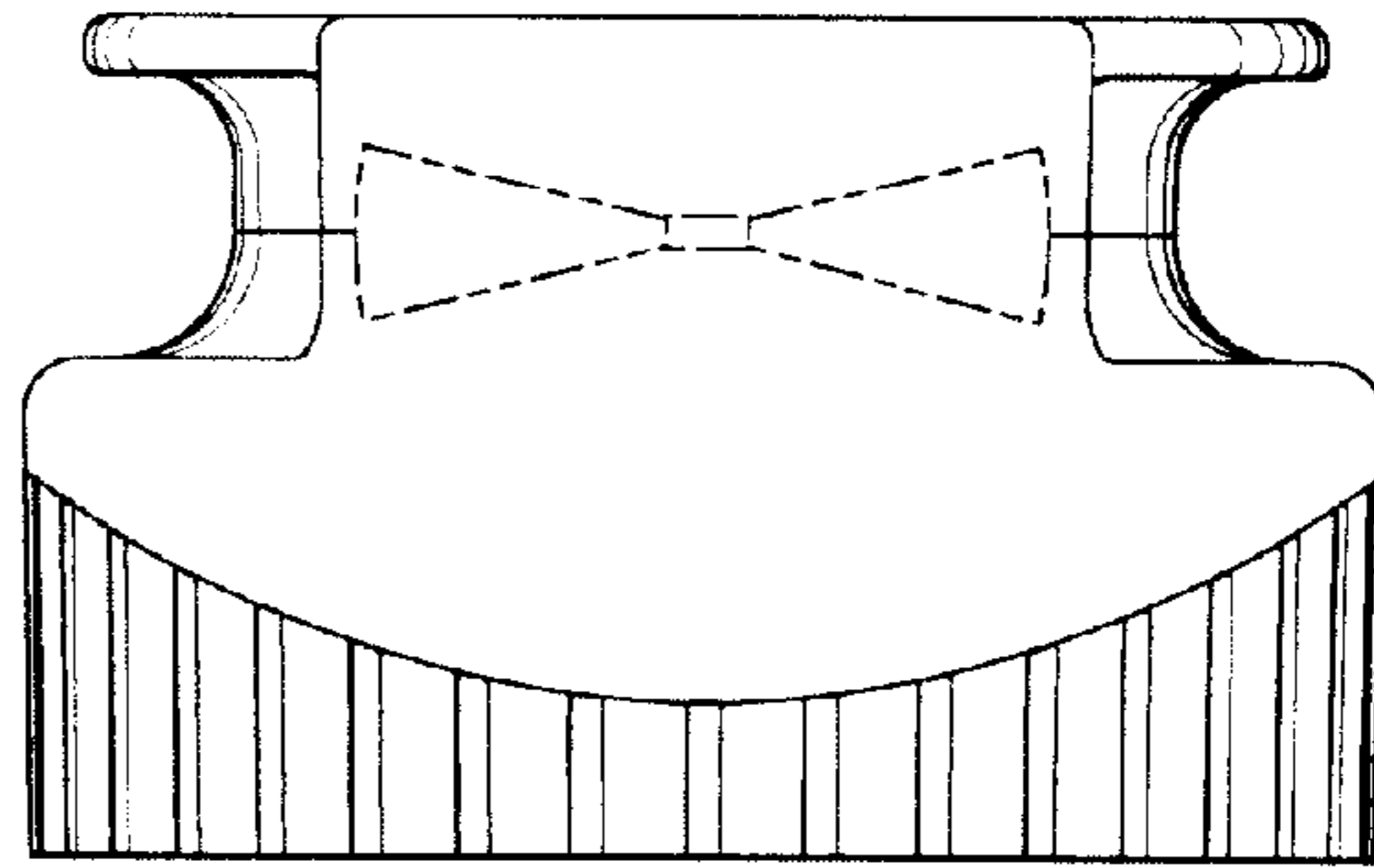
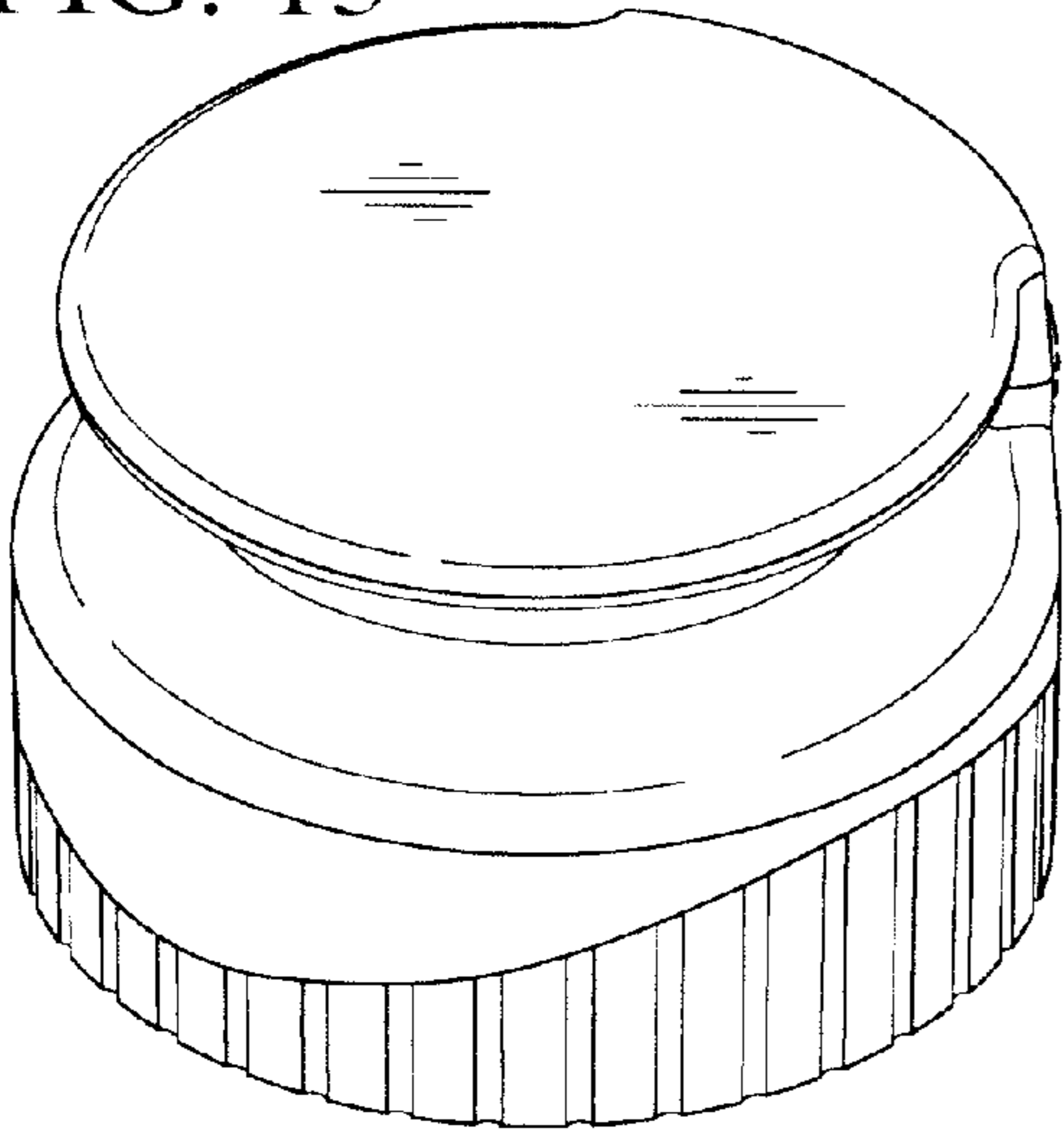


FIG. 16

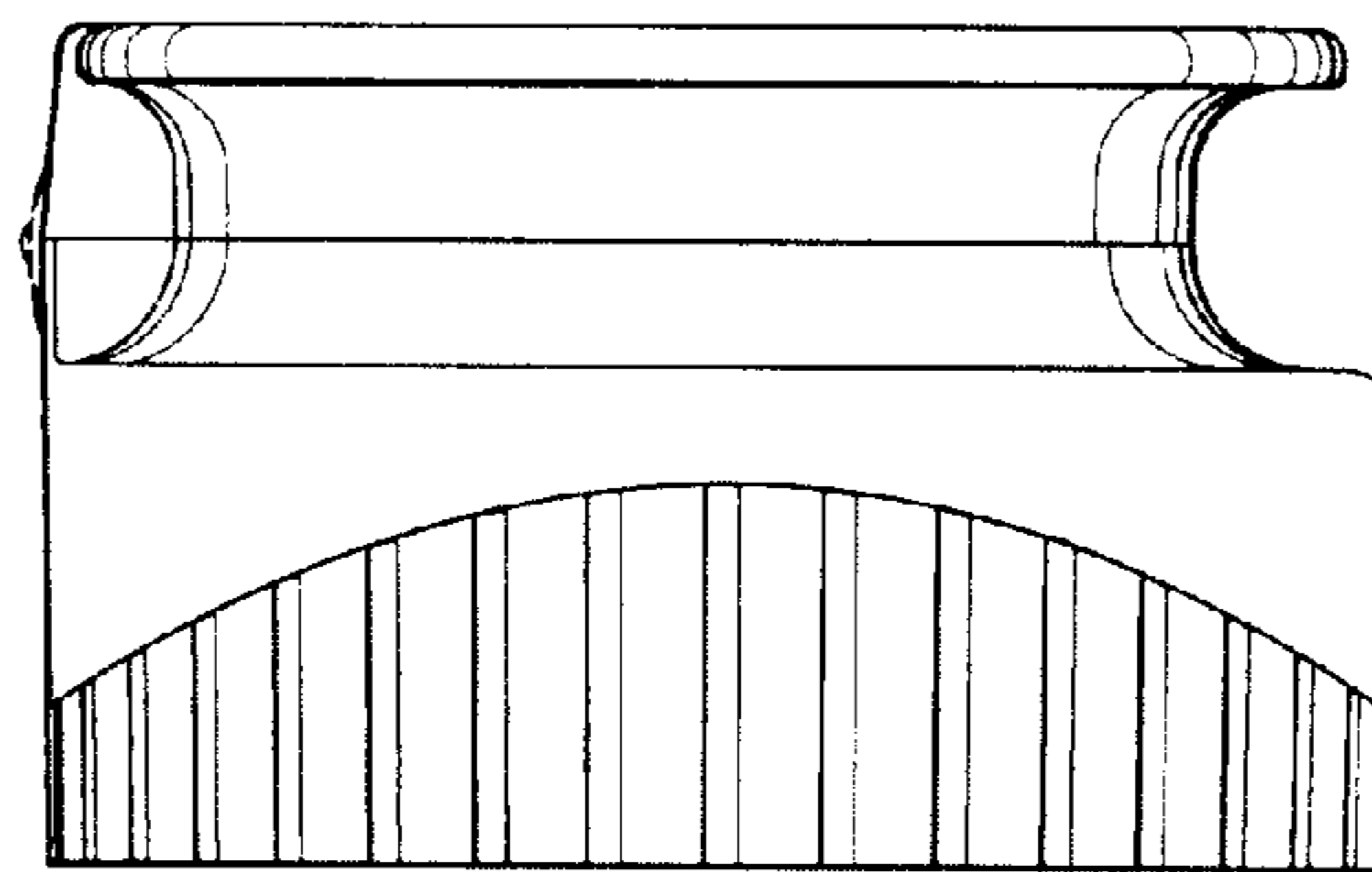
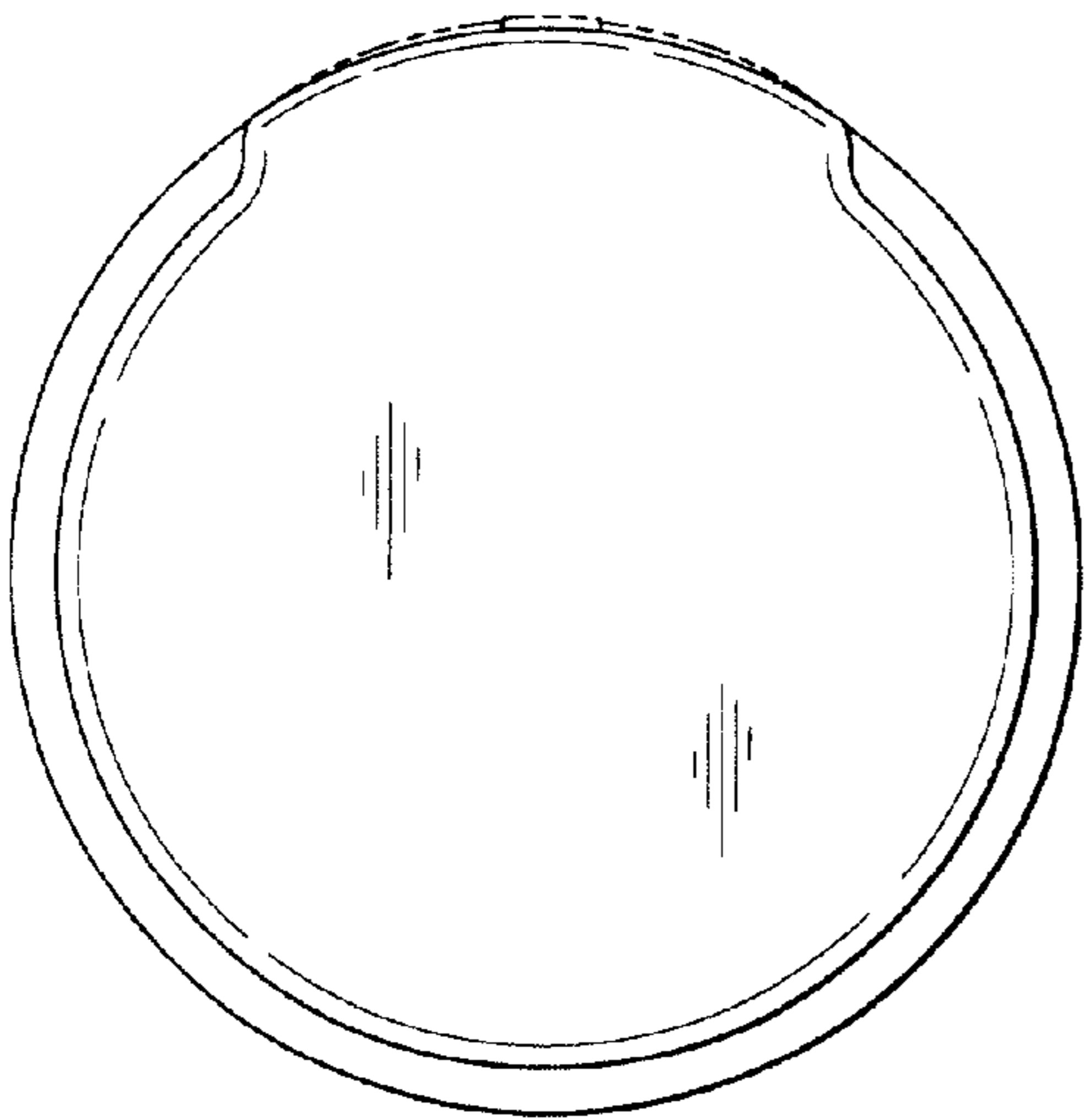


FIG. 17

FIG. 14

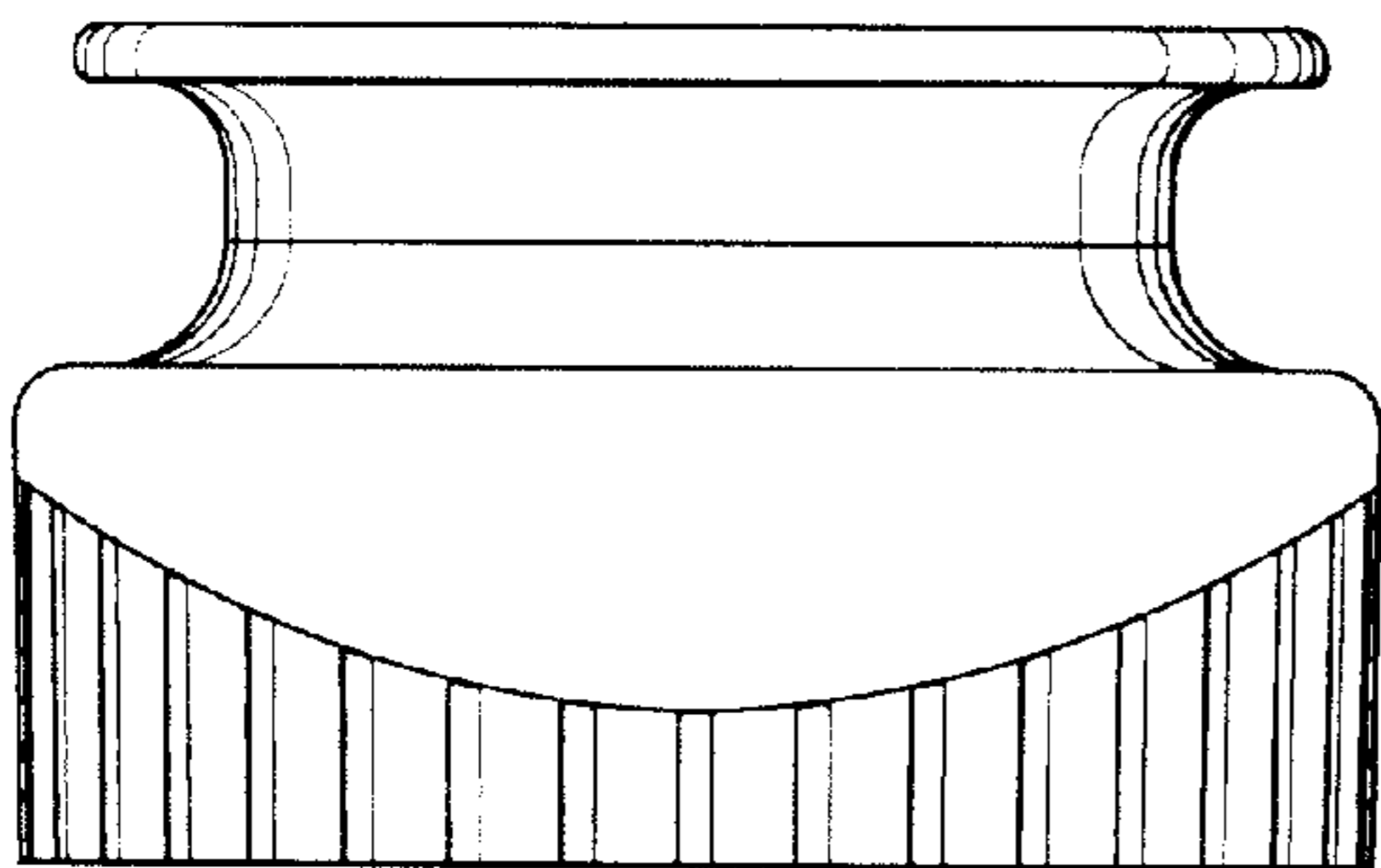


FIG. 15

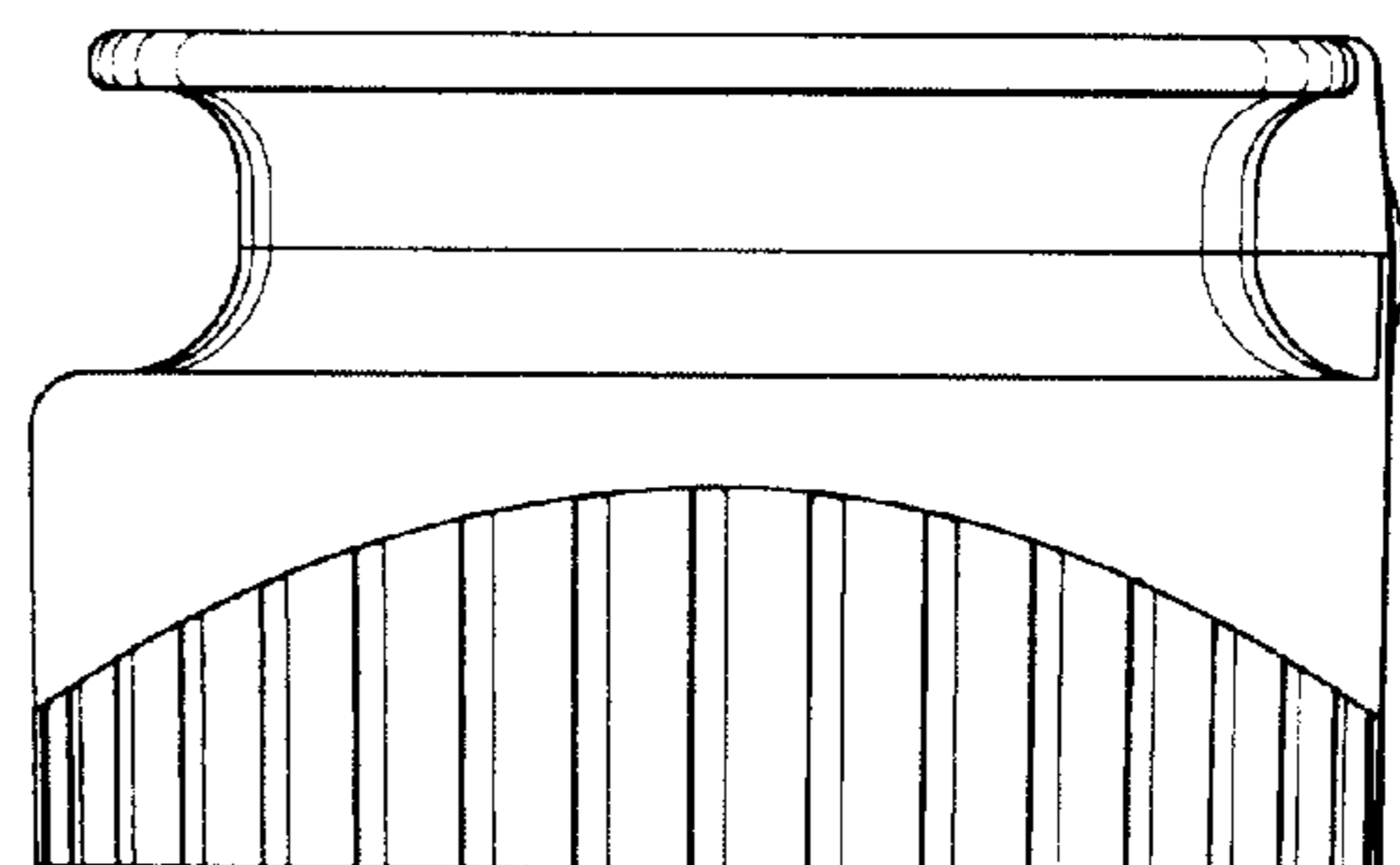


FIG. 18