



US00D519028S

(12) **United States Design Patent**  
**Strepkoff**

(10) **Patent No.:** **US D519,028 S**

(45) **Date of Patent:** **\*\* Apr. 18, 2006**

(54) **CAN LID**

(75) **Inventor:** **Karl Dimitri Robert Strepkoff**, Tokyo (JP)

(73) **Assignee:** **Soie Coquine Yegengaisha**, Tokyo (JP)

(\*\*) **Term:** **14 Years**

(21) **Appl. No.:** **29/212,780**

(22) **Filed:** **Sep. 8, 2004**

(30) **Foreign Application Priority Data**

Mar. 9, 2004 (JP) ..... 2004-007044

(51) **LOC (8) Cl.** ..... **09-07**

(52) **U.S. Cl.** ..... **D9/449**

(58) **Field of Classification Search** ..... D9/454,  
D9/449, 447, 445, 439, 438, 435, 452, 453;  
D7/638, 511, 510, 392, 392.1; D3/323; 220/270-271,  
220/709, 718, 781, 575, 715; 215/254  
See application file for complete search history.

(56) **References Cited**

**U.S. PATENT DOCUMENTS**

D271,284 S	*	11/1983	Bainton	.....	D9/438
D332,403 S	*	1/1993	Johnson, III	.....	D9/435
D368,032 S	*	3/1996	Couto	.....	D9/435
D471,808 S	*	3/2003	de Castro Couto	.....	D9/435
D493,718 S	*	8/2004	Durdon	.....	D9/435

**FOREIGN PATENT DOCUMENTS**

JP	3021834	12/1986
JP	7232732	9/1995
JP	11059672	3/1999
JP	D1184990	7/2003
JP	D1184991	7/2003

\* cited by examiner

*Primary Examiner*—Robert M. Spear  
*Assistant Examiner*—Susan Bennett Hattan

(74) *Attorney, Agent, or Firm*—Ohlandt, Greeley, Ruggiero & Perle, L.L.P.

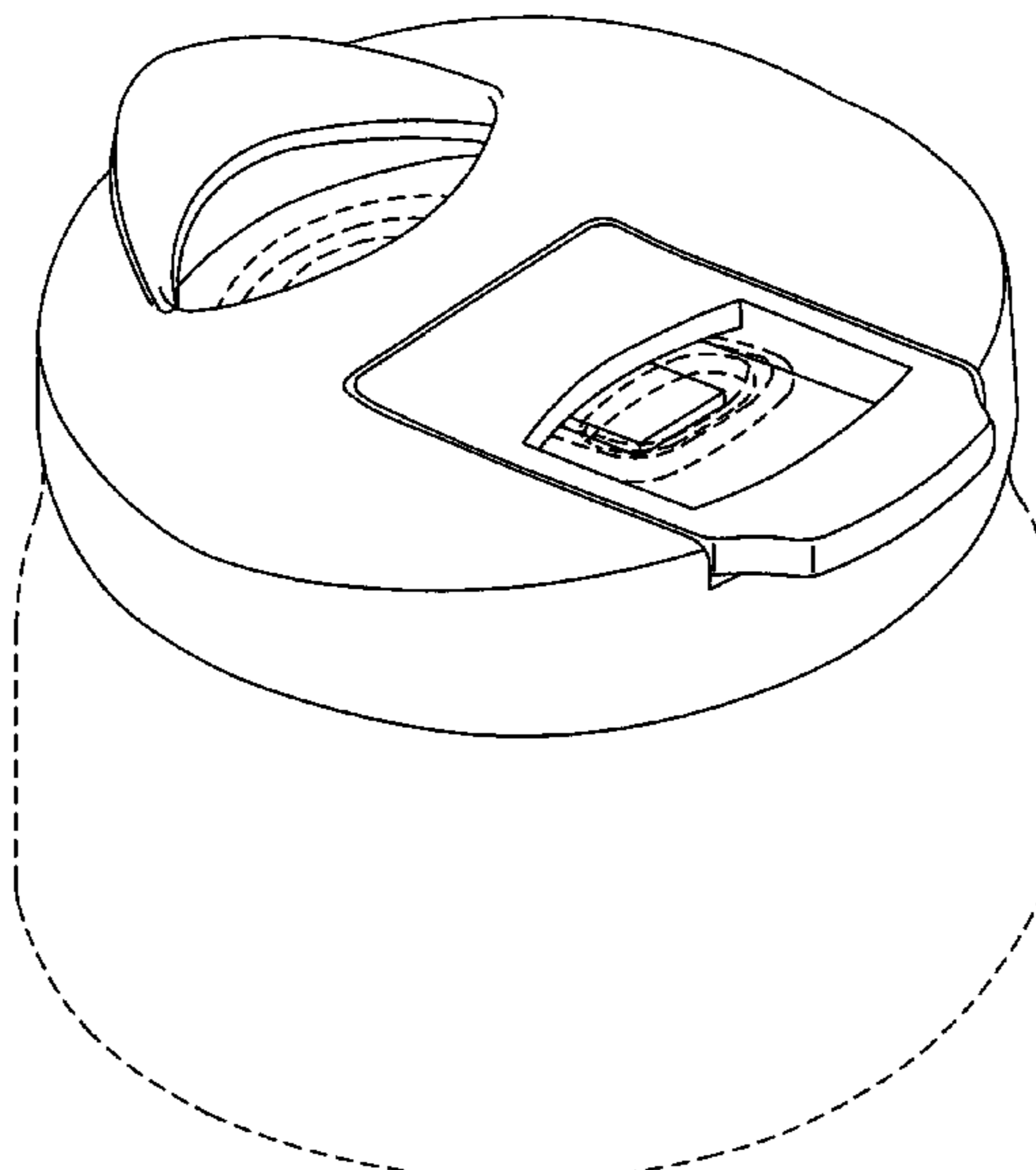
(57) **CLAIM**

The ornamental design for a can lid, as shown and described.

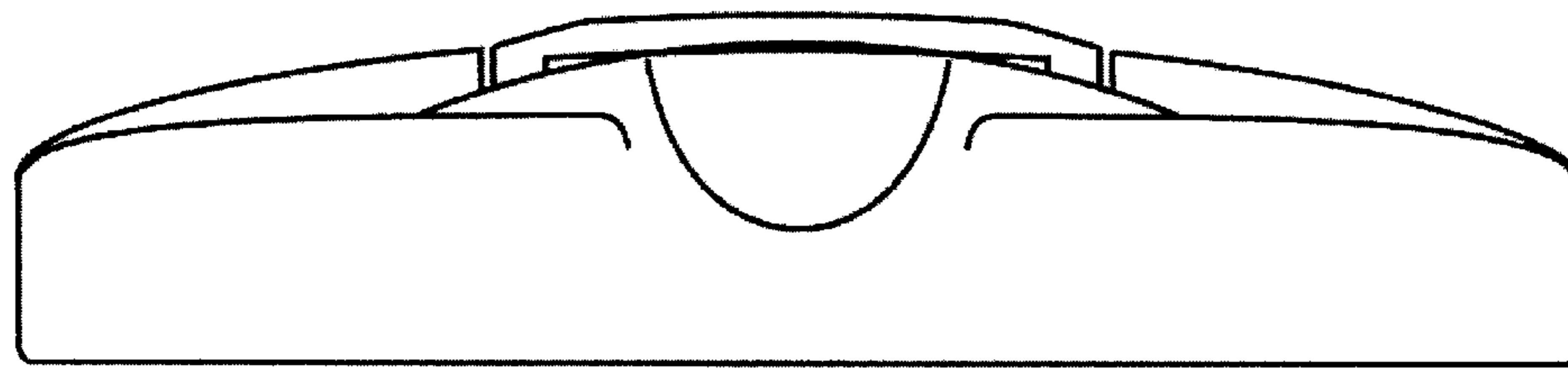
**DESCRIPTION**

FIG. 1 is a left side view of a can lid of the present invention; FIG. 2 is right side view of a can lid of the present invention; FIG. 3 is a front side view of a can lid of the present invention; FIG. 4 is a rear side view of a can lid of the present invention; FIG. 5 is a top planar view of a can lid of the present invention; FIG. 6 is a bottom planar view of a can lid of the present invention; FIG. 7 is a sectional view of a can lid of the present invention, wherein the can opening device is shown in the closed position. FIG. 8 is a top front perspective view of a can lid of the present invention, wherein the can opening device is in the closed position; FIG. 9 is a top front perspective view of the can lid disposed on a can of the present invention, wherein the can opening device is in the closed position; FIG. 10 is a top front perspective view of the can lid disposed on a can of the present invention, wherein the can opening device is in the open position; and, FIG. 11 is a top front perspective view of the can lid disposed on a can of the present invention, wherein the can opening device has returned to the closed position after opening of the can has occurred. The broken line showing of a can in FIGS. 9, 10 and 11 is for illustrative purposes only and forms no part of the claimed design.

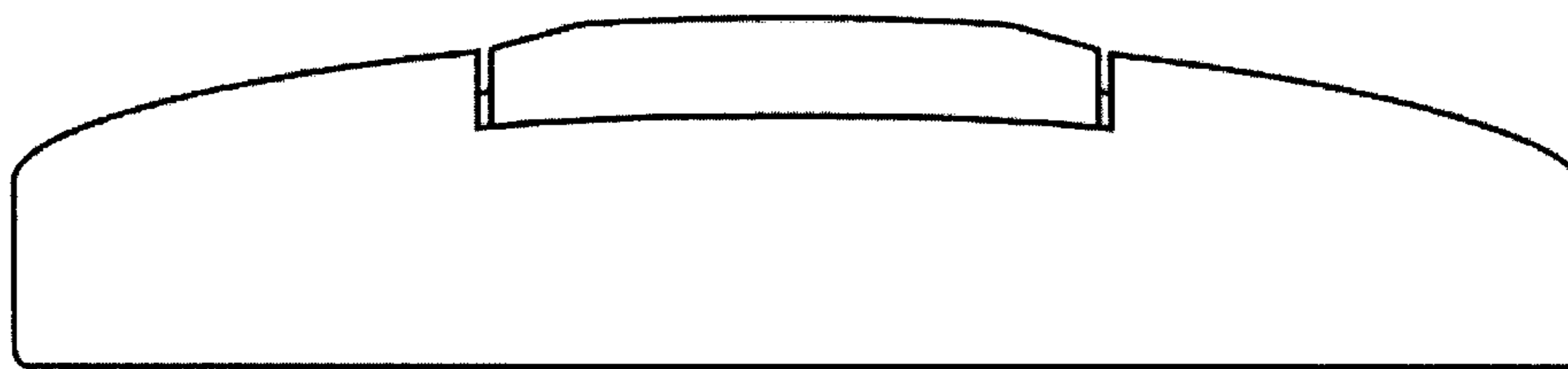
**1 Claim, 8 Drawing Sheets**



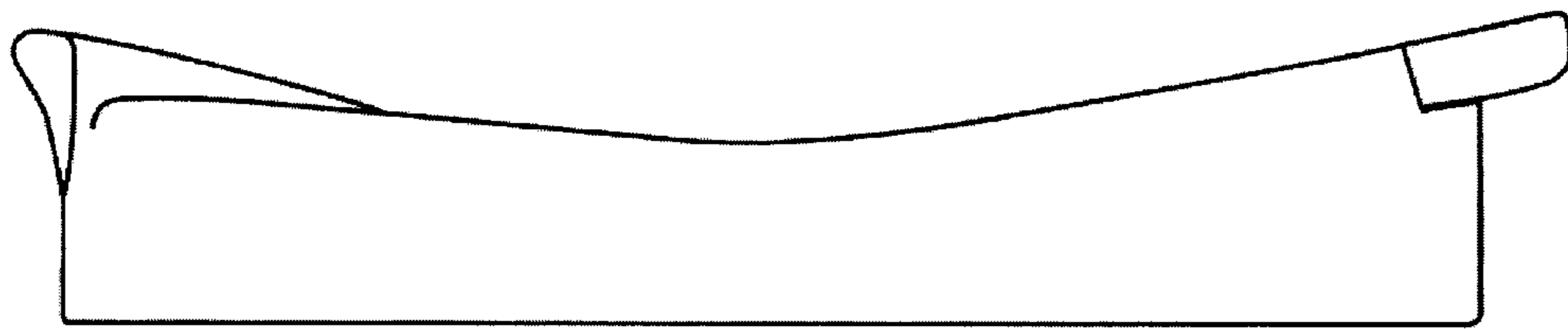
**FIG. 1**



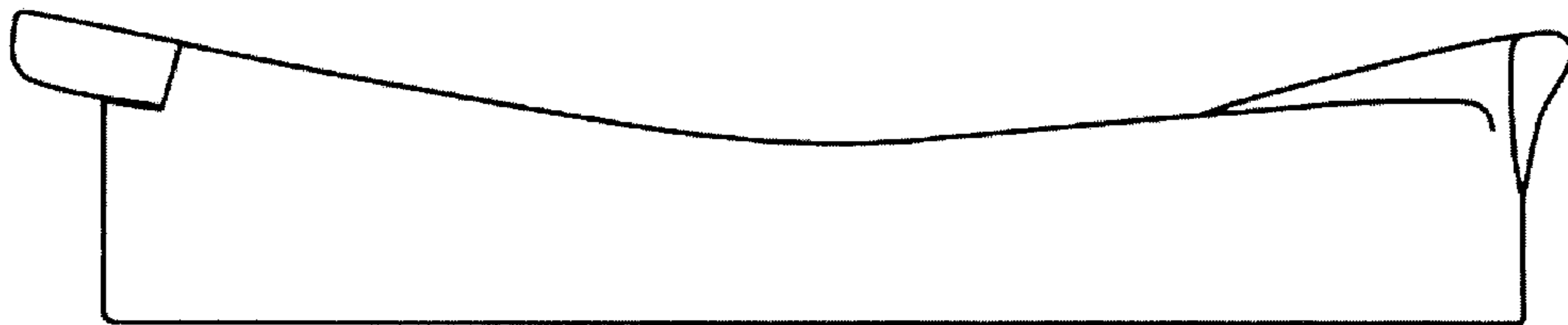
**FIG. 2**



**FIG. 3**



**FIG. 4**



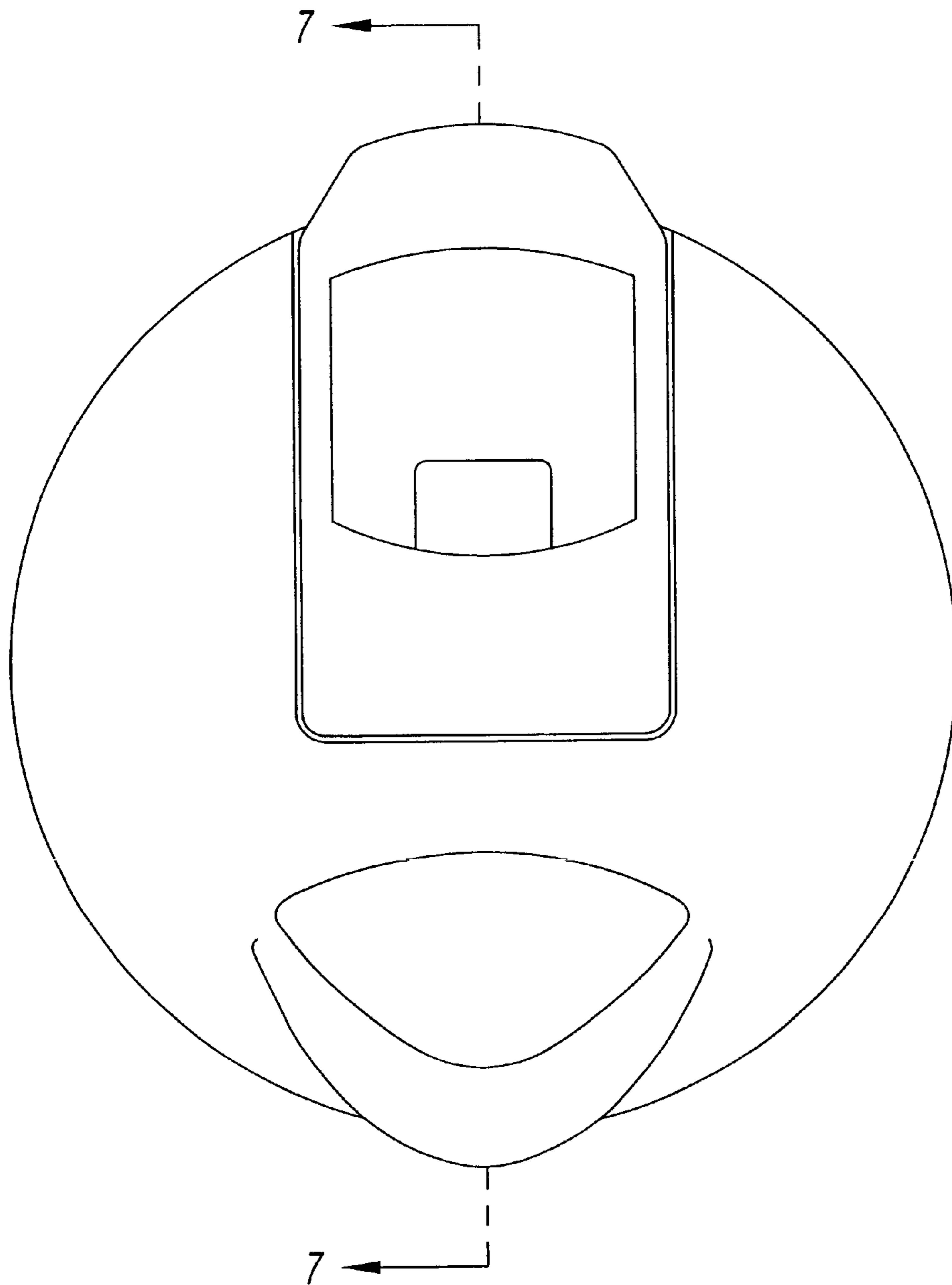
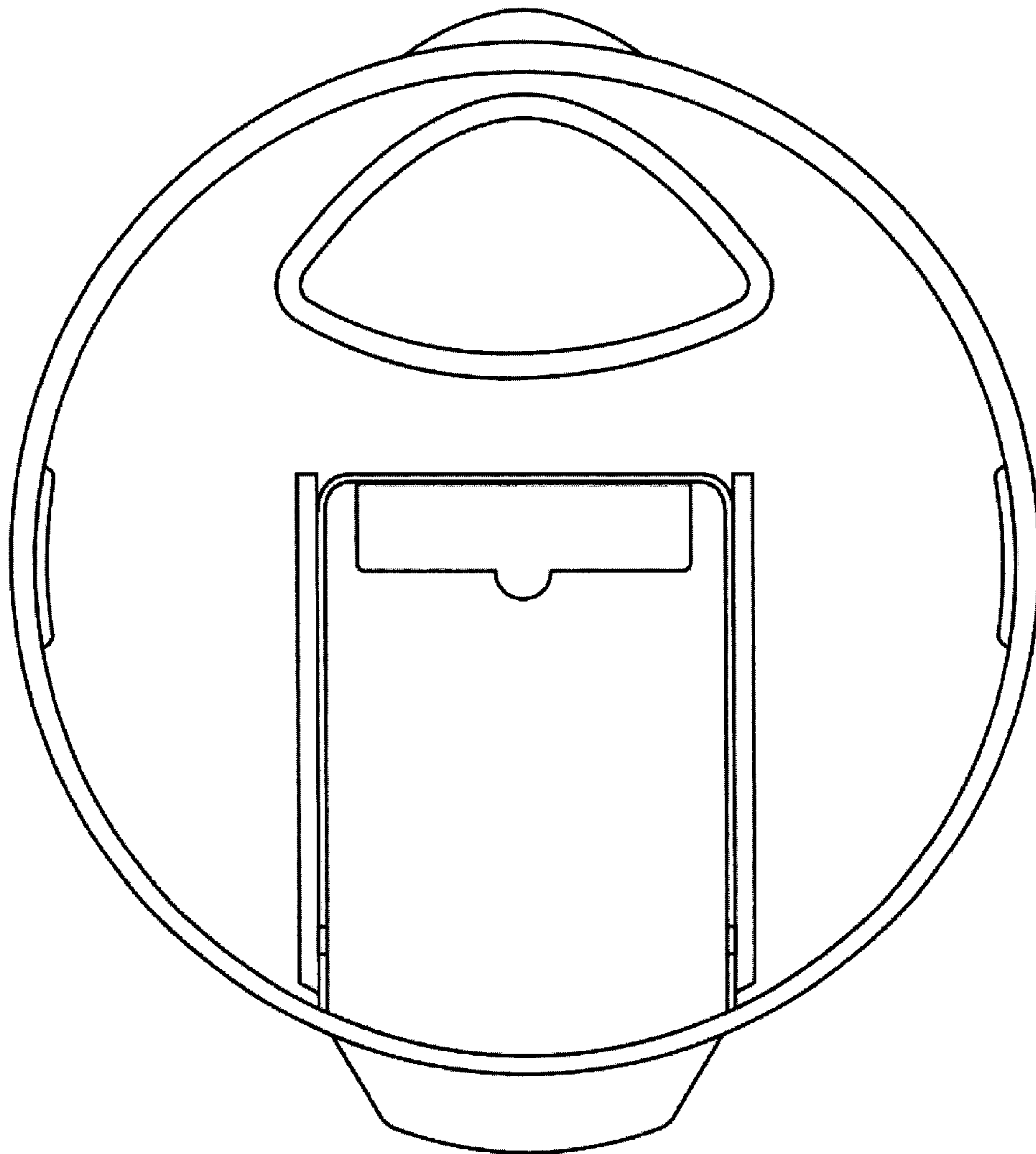


FIG. 5

FIG. 6



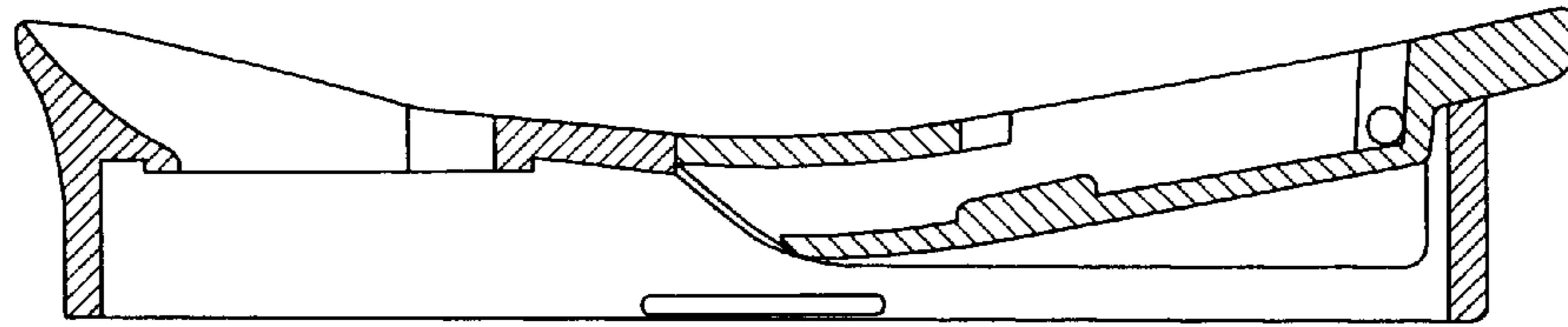


FIG. 7

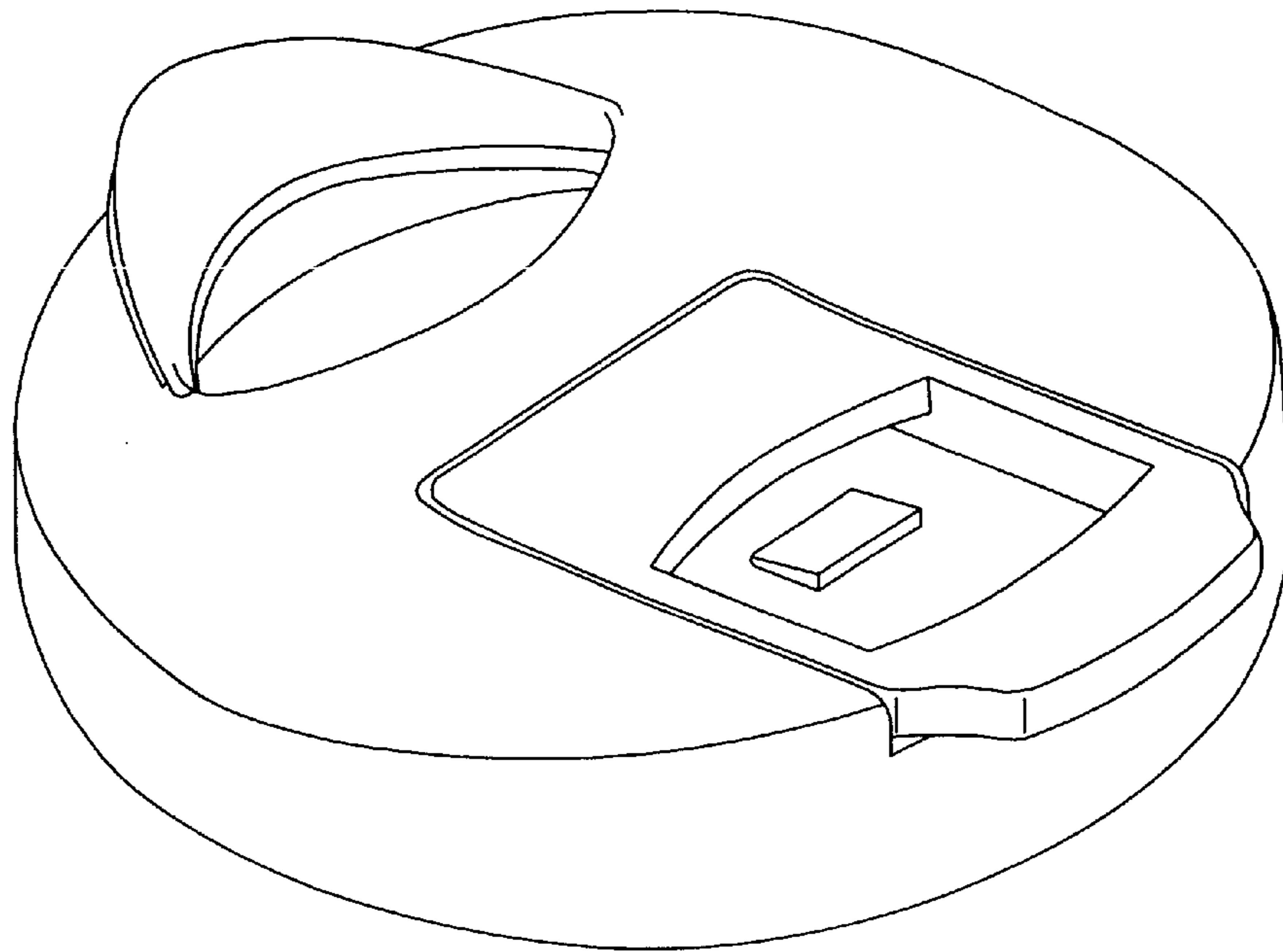


FIG. 8

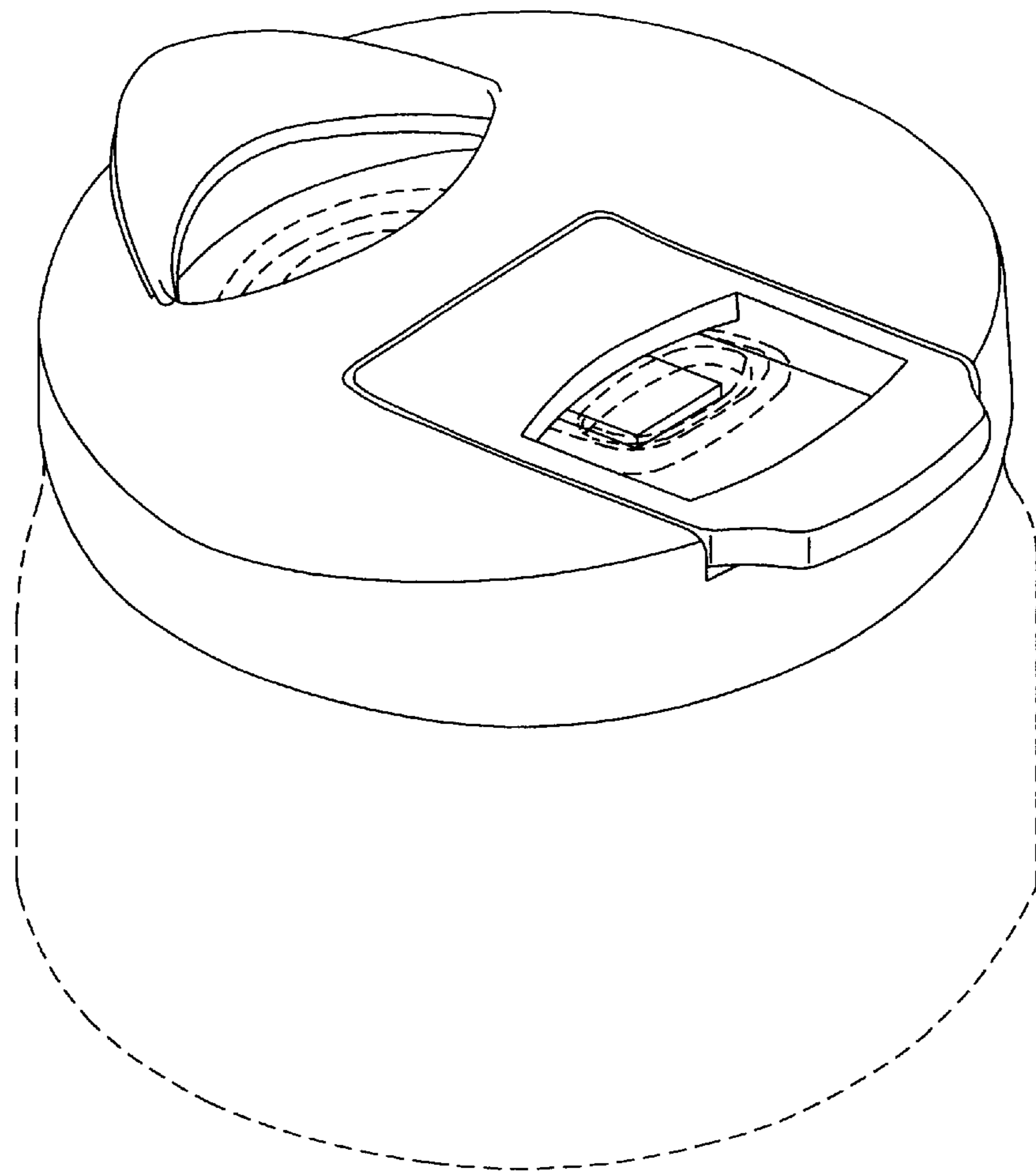
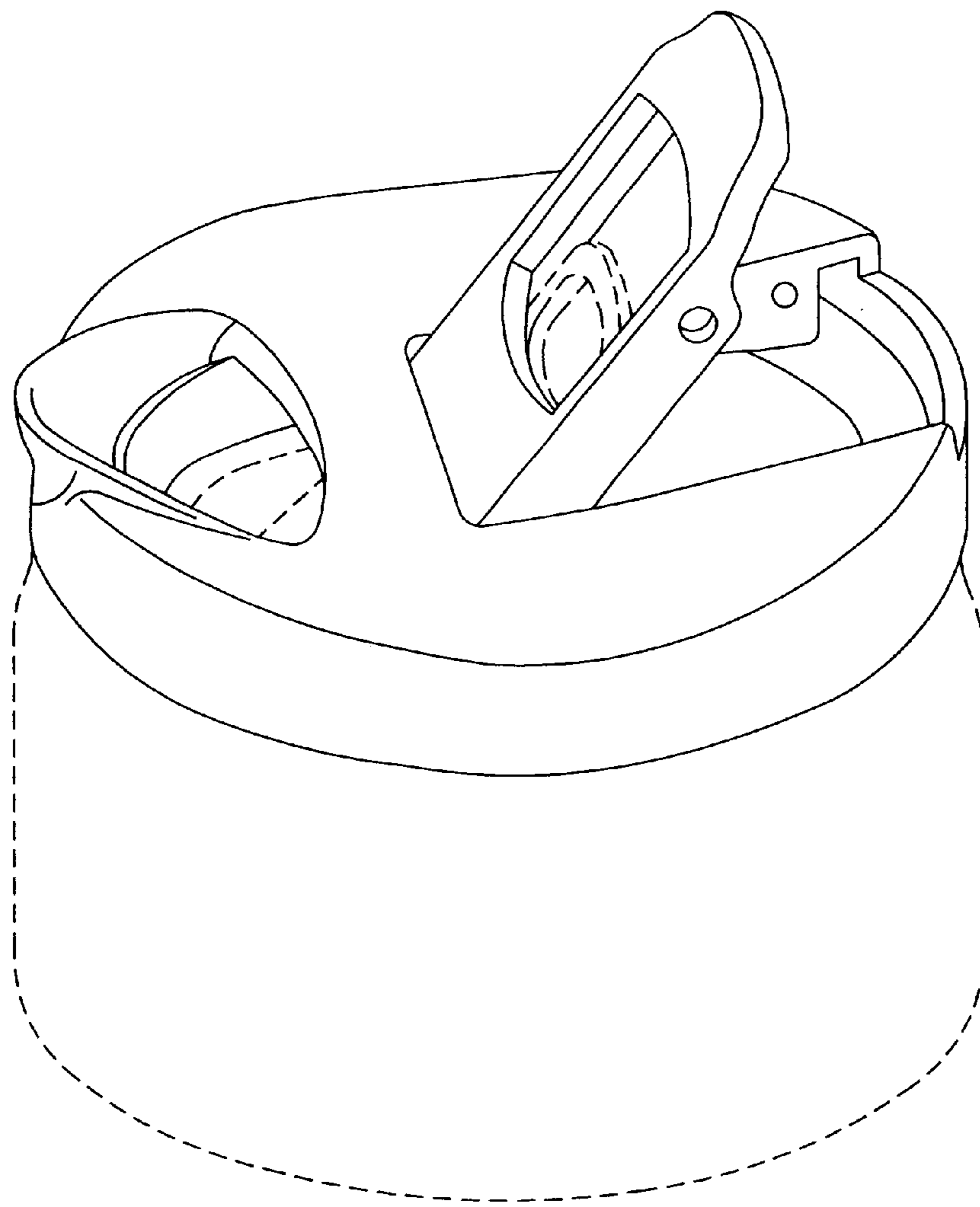


FIG. 9



*FIG. 10*



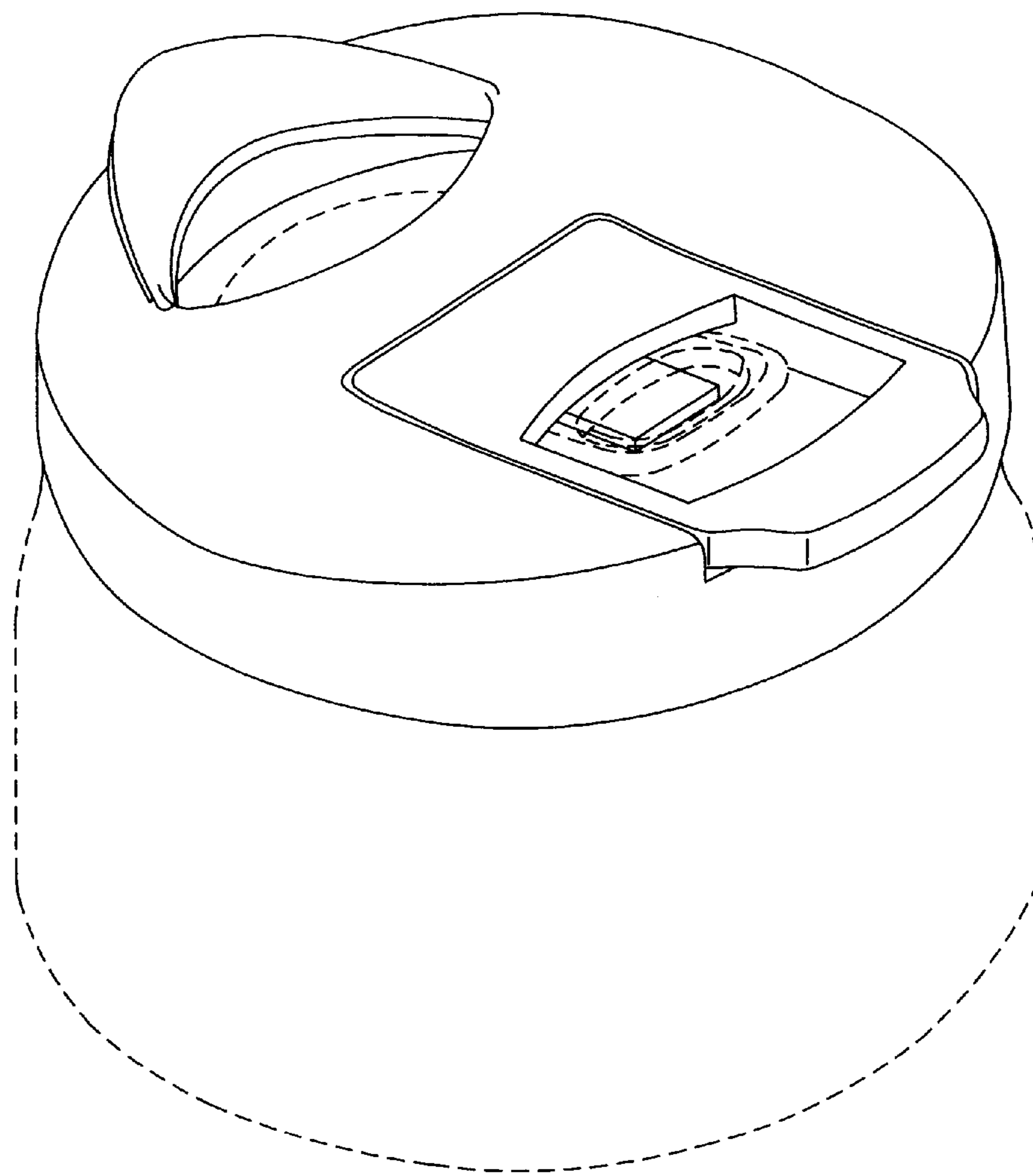


FIG. 11

UNITED STATES PATENT AND TRADEMARK OFFICE  
**CERTIFICATE OF CORRECTION**

PATENT NO. : Des. 519,028 S  
APPLICATION NO. : 29/212780  
DATED : April 18, 2006  
INVENTOR(S) : Karl Dimitri Robert Strepkoff

Page 1 of 1

It is certified that error appears in the above-identified patent and that said Letters Patent is hereby corrected as shown below:

Please insert Item (73) Assignee: Soie Coquine Yugengaisha Tokyo (JP)

Signed and Sealed this

Twenty-sixth Day of December, 2006

A handwritten signature in black ink on a light gray dotted background. The signature reads "Jon W. Dudas" in a cursive style.

JON W. DUDAS

*Director of the United States Patent and Trademark Office*