



US00D519026S

(12) **United States Design Patent**  
**Shing**

(10) **Patent No.:** **US D519,026 S**

(45) **Date of Patent:** **\*\* Apr. 18, 2006**

(54) **PRODUCT PACKAGING**

(76) **Inventor:** **Yuen Kim Shing**, 14A, Hung To  
Comercial Bldg. 357 Lock Hart Road,  
Wan Chai (HK)

(\*\*) **Term:** **14 Years**

(21) **Appl. No.:** **29/221,088**

(22) **Filed:** **Jan. 11, 2005**

(51) **LOC (8) Cl.** ..... **09-07**

(52) **U.S. Cl.** ..... **D9/415**

(58) **Field of Classification Search** ..... D9/415,  
D9/418, 414, 428; 206/461-471, 495, 806,  
206/303, 304.2, 349, 407, 457; 220/4.21,  
220/4.24

See application file for complete search history.

(56) **References Cited**

**U.S. PATENT DOCUMENTS**

- 3,203,542 A \* 8/1965 Lightner et al. .... 206/463
- 3,301,395 A \* 1/1967 Swezey ..... 206/463
- 3,404,774 A \* 10/1968 Levine ..... 206/471
- 4,702,374 A \* 10/1987 Kelner ..... 206/418
- D292,879 S \* 11/1987 Smith ..... D9/753

- 5,052,558 A \* 10/1991 Carter ..... 206/439
- D429,638 S \* 8/2000 Li et al. .... D9/415
- 6,276,529 B1 \* 8/2001 Feehan, Jr. .... 206/469
- D449,226 S \* 10/2001 Hedstrom et al. .... D9/415
- D472,462 S \* 4/2003 Atkin et al. .... D9/415
- D494,858 S \* 8/2004 Rösler ..... D9/415

\* cited by examiner

*Primary Examiner*—Prabhakar Deshmukh

(74) *Attorney, Agent, or Firm*—Malloy & Malloy, P.A.

(57) **CLAIM**

The ornamental design for product packaging, as shown and described.

**DESCRIPTION**

FIG. 1 is a front perspective view illustrating my design for a product packaging;

FIG. 2 is a front view thereof;

FIG. 3 is a right side view thereof;

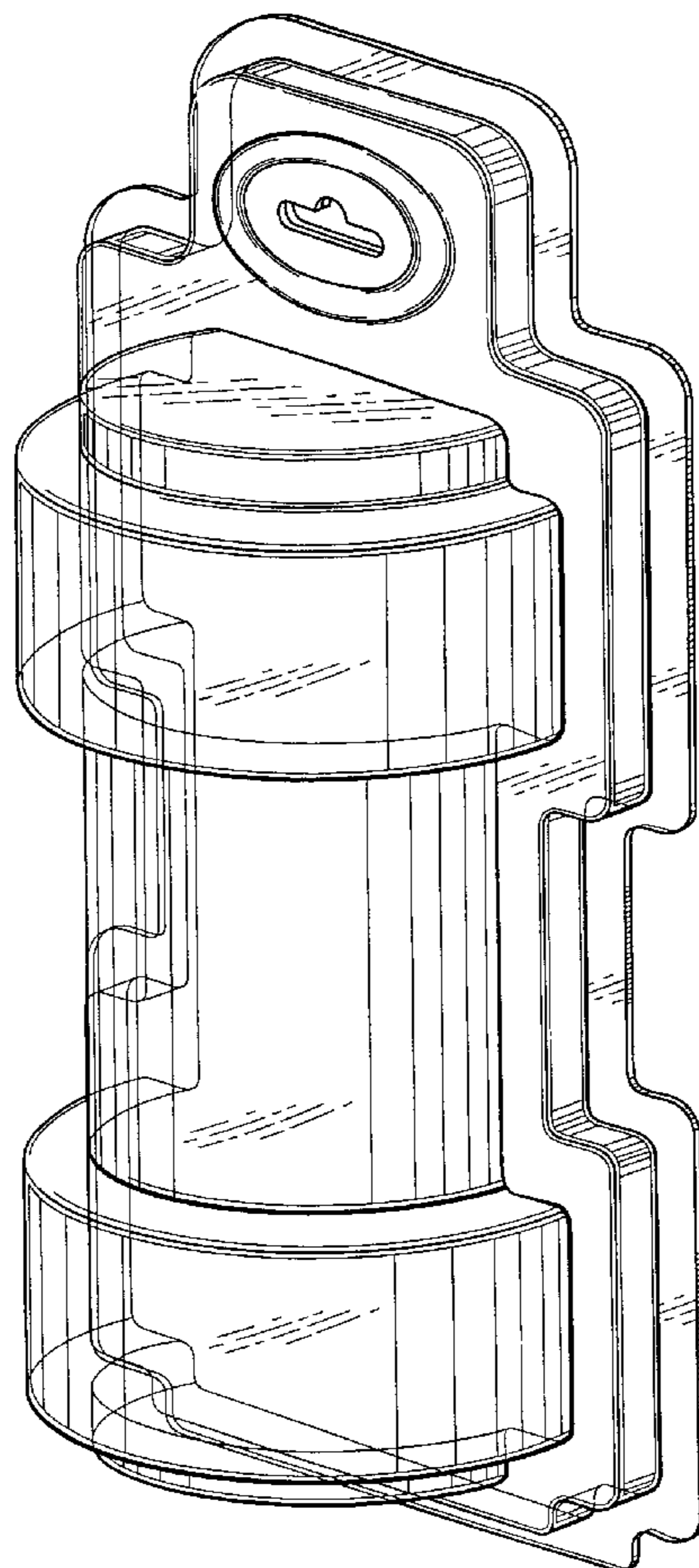
FIG. 4 is a top view thereof;

FIG. 5 is a left side view thereof;

FIG. 6 is a bottom view thereof; and,

FIG. 7 is a rear view thereof.

**1 Claim, 6 Drawing Sheets**



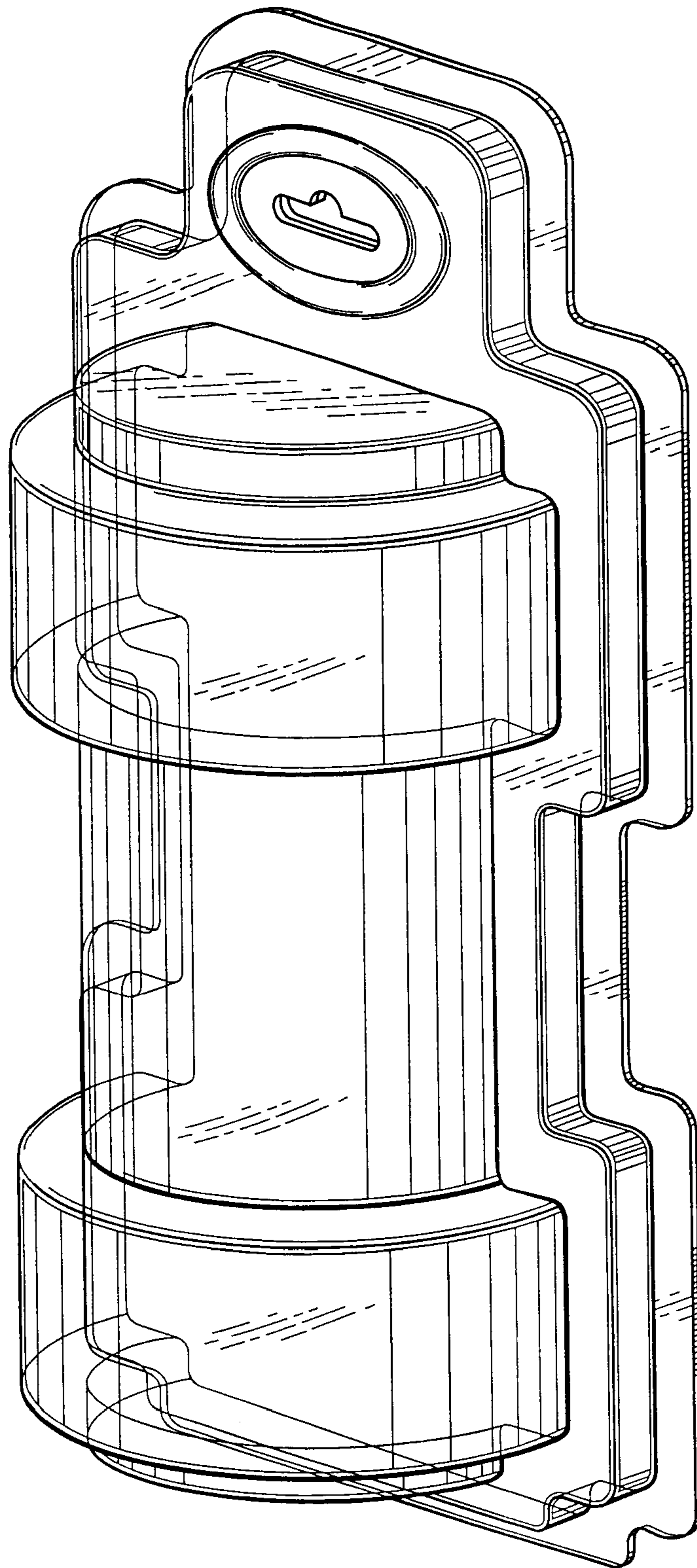


FIG. 1

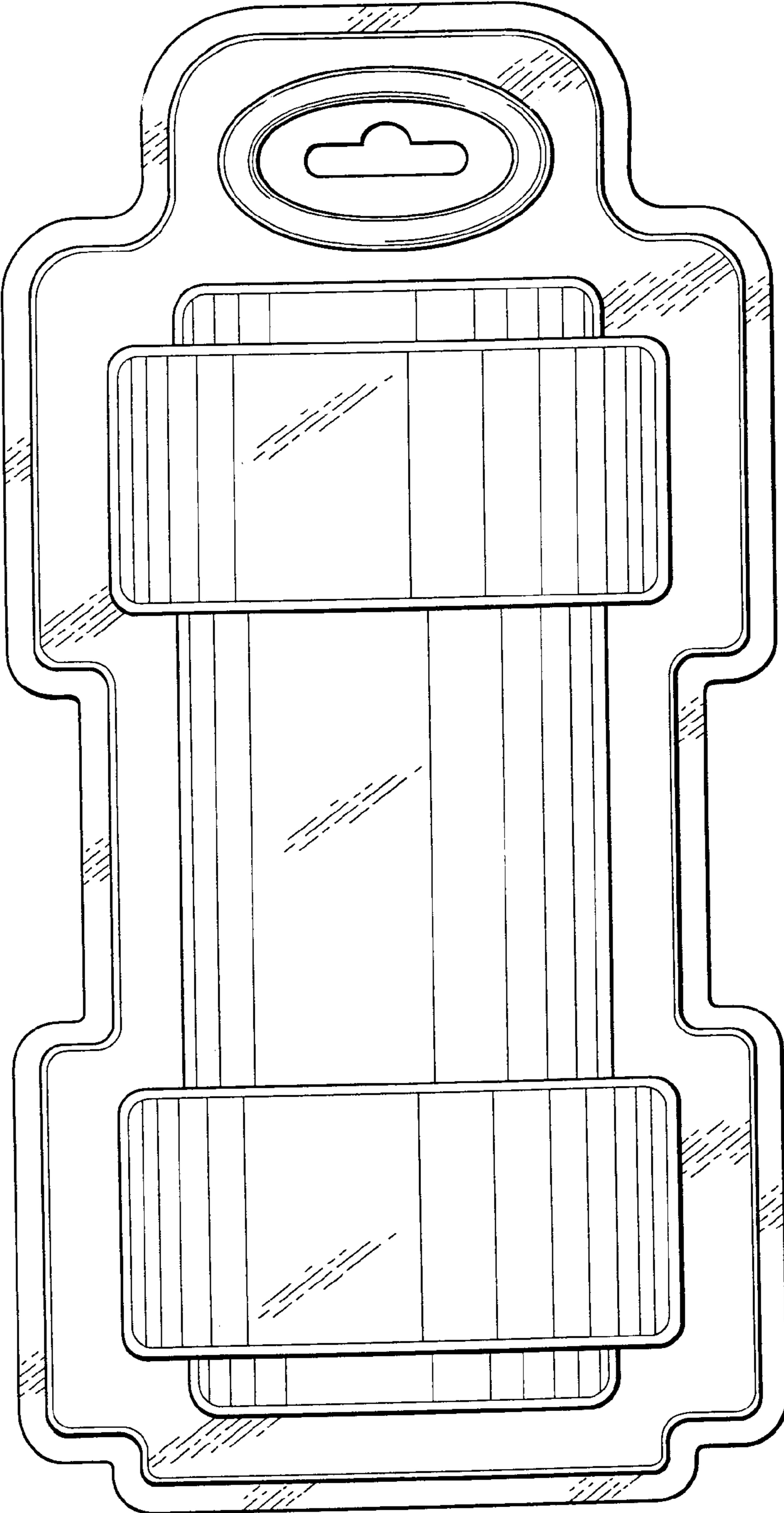


FIG. 2

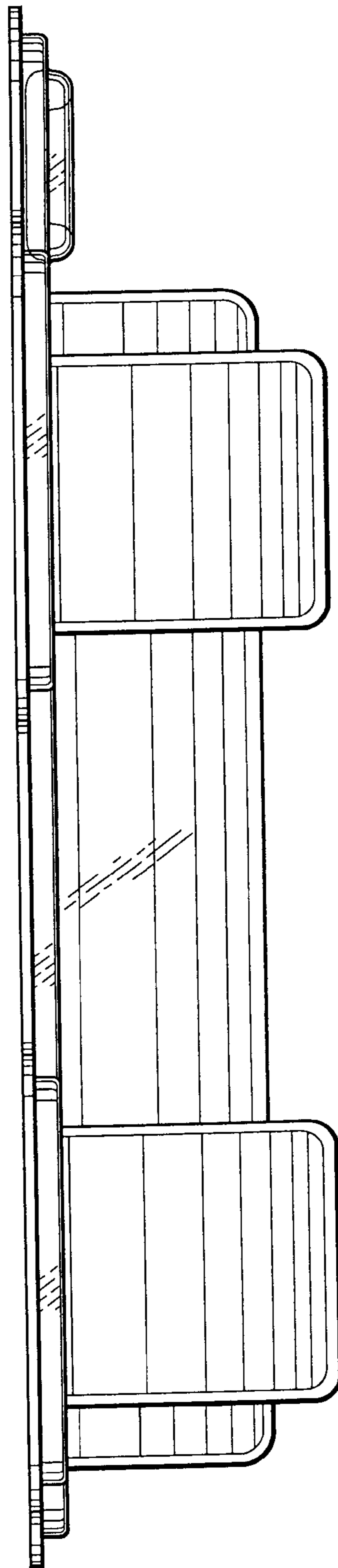


FIG. 3

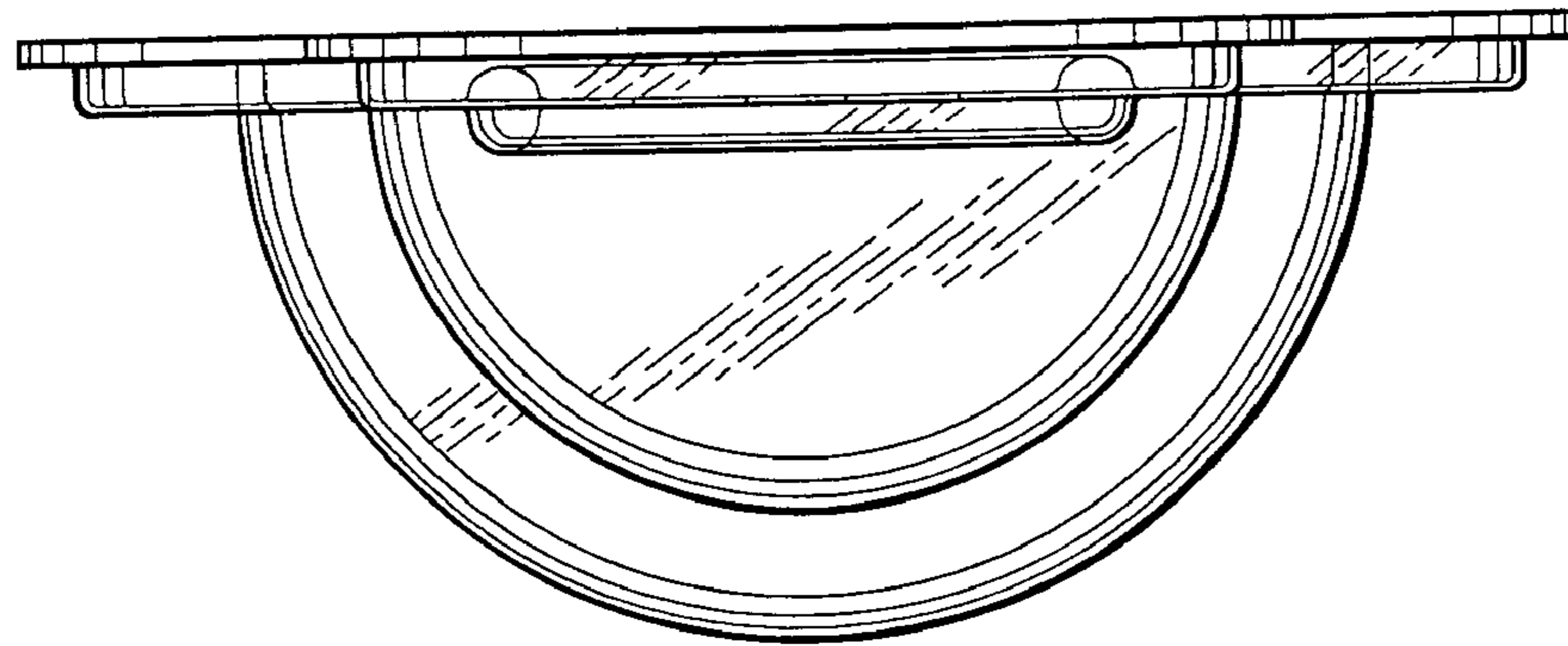


FIG. 4

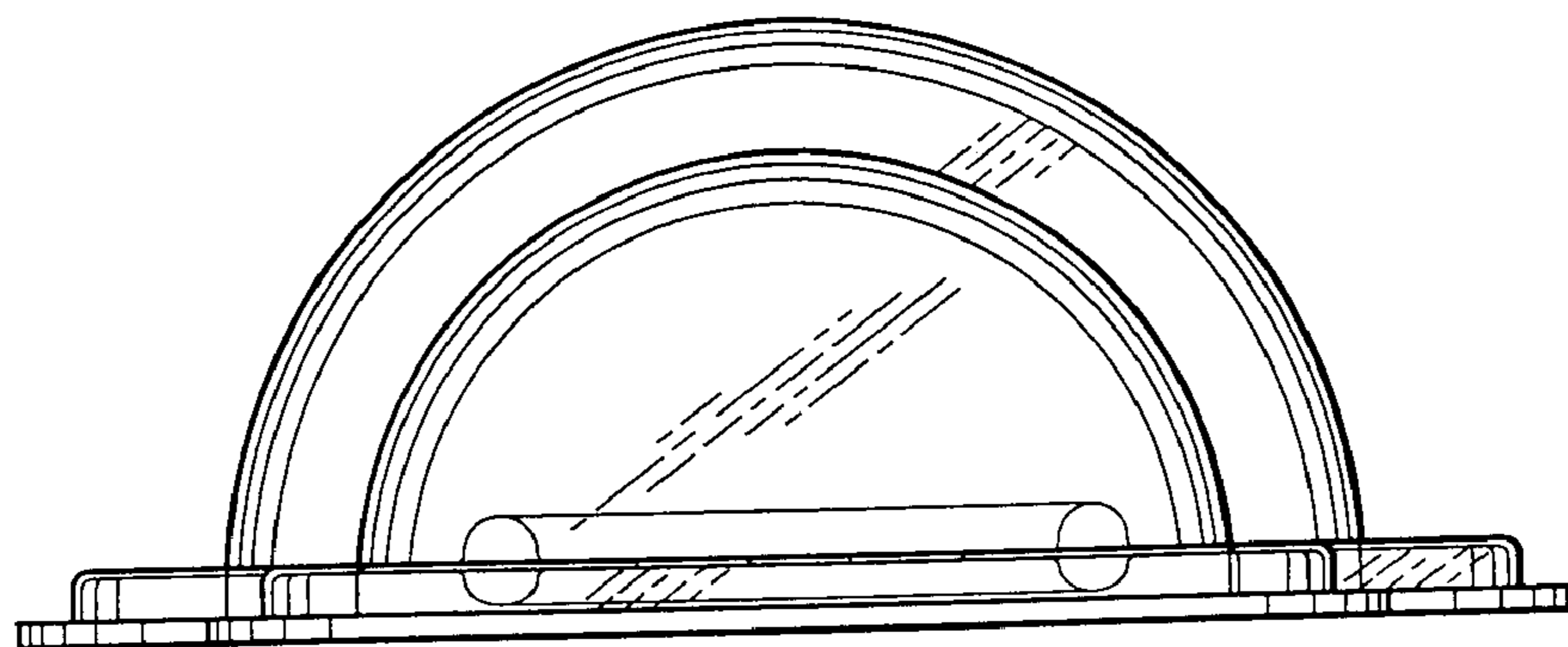


FIG. 6



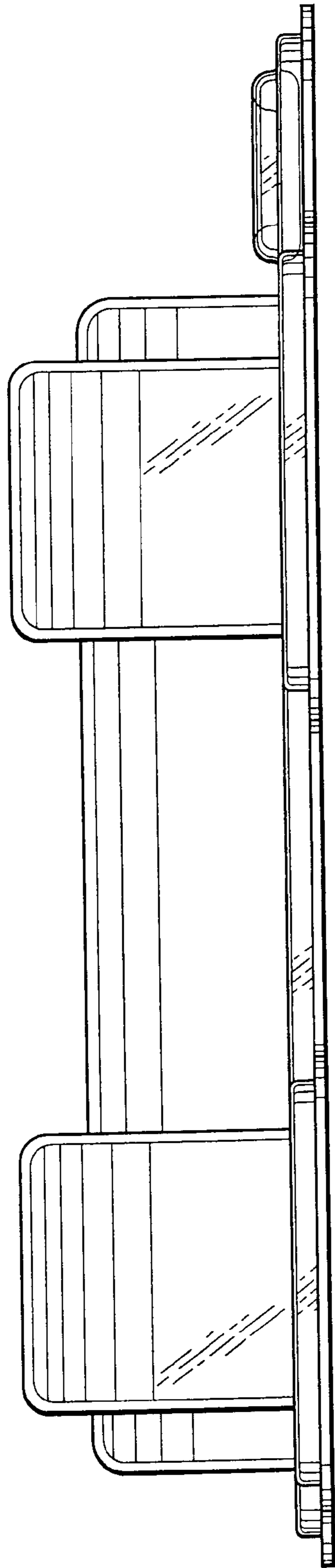


FIG. 5

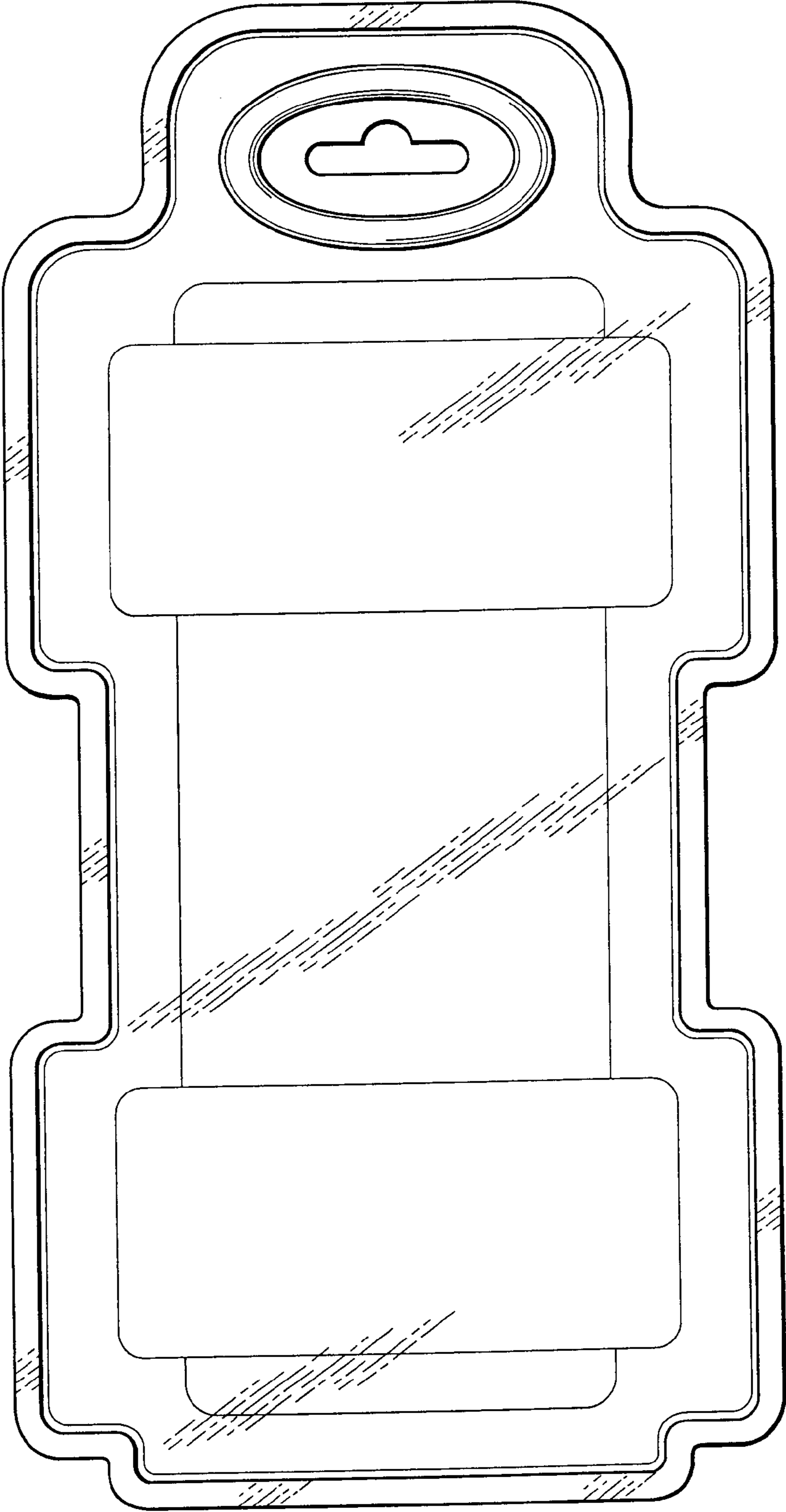


FIG. 7