



US00D519019S

(12) **United States Design Patent**  
**Ping**

(10) **Patent No.:** **US D519,019 S**

(45) **Date of Patent:** **\*\* Apr. 18, 2006**

- (54) **UTILITY KNIFE**
- (75) Inventor: **Qiu Jian Ping**, Hangzhou (CN)
- (73) Assignee: **Great Neck Saw Manufacturers, Inc.**,  
Mineola, NY (US)
- (\*\*) Term: **14 Years**
- (21) Appl. No.: **29/206,116**
- (22) Filed: **May 26, 2004**

- 3,593,417 A 7/1971 West
- 3,872,591 A 3/1975 Quenot
- 4,017,969 A 4/1977 Stonebraker
- 4,040,181 A 8/1977 Johnson
- 4,261,104 A 4/1981 Cuscovitch
- 4,347,665 A 9/1982 Glesser
- 4,442,600 A 4/1984 Felix-Salichow
- 4,570,341 A 2/1986 Konneker
- 4,604,805 A 8/1986 Krieger
- 4,665,615 A 5/1987 Martinez
- 4,669,188 A 6/1987 Evrell

(Continued)

**Related U.S. Application Data**

- (63) Continuation of application No. 29/196,601, filed on Dec. 31, 2003, now Pat. No. Des. 501,782, which is a continuation-in-part of application No. 29/181,557, filed on May 13, 2003, now Pat. No. Des. 495,939.
- (51) **LOC (8) Cl.** ..... **08-03**
- (52) **U.S. Cl.** ..... **D8/99**
- (58) **Field of Classification Search** ..... D8/98,  
D8/99, 105, 107; 30/154, 155, 156, 158,  
30/157, 159, 160, 161, 162, 330, 329  
See application file for complete search history.

**FOREIGN PATENT DOCUMENTS**

- |    |                |         |
|----|----------------|---------|
| CN | 02-2-88379.7   | 12/2002 |
| CN | 200420008852.7 | 3/2004  |
| CN | 200420008854.6 | 3/2004  |
| CN | 200420020589.3 | 3/2004  |
| CN | 200420020590.6 | 3/2004  |
| CN | 200420020591.0 | 3/2004  |
| WO | WO90086633     | 8/1990  |

*Primary Examiner*—Philip S. Hyder  
(74) *Attorney, Agent, or Firm*—Joseph J. Previto

(57) **CLAIM**

The ornamental design for a utility knife, as shown and described.

(56) **References Cited**

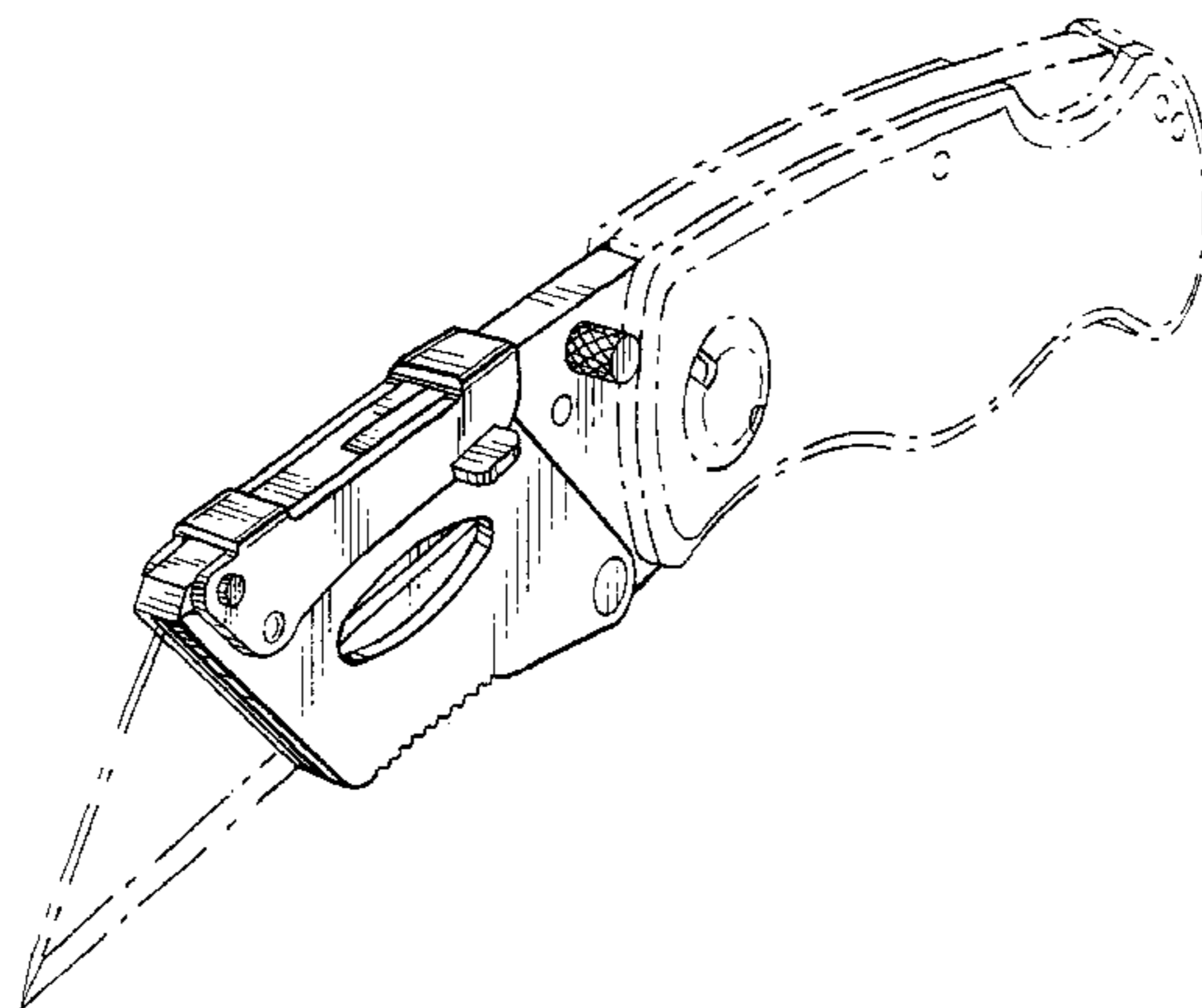
**U.S. PATENT DOCUMENTS**

- |             |         |                |
|-------------|---------|----------------|
| 97,154 A    | 11/1869 | Barnard        |
| 493,075 A   | 3/1893  | Evertz         |
| 515,045 A   | 2/1894  | Bultzingslowen |
| 584,077 A   | 6/1897  | Jackson        |
| 596,096 A   | 12/1897 | Watts          |
| 988,068 A   | 3/1911  | Beardsley      |
| 1,362,142 A | 12/1920 | Rohrer         |
| 1,444,324 A | 2/1923  | Brooks         |
| 1,706,251 A | 3/1929  | Perry          |
| 1,750,517 A | 3/1930  | DeBracht       |
| 2,134,973 A | 11/1938 | Harwell        |
| 2,265,775 A | 12/1941 | McNamara       |
| 2,284,128 A | 5/1942  | Bush           |
| 2,523,575 A | 9/1950  | Kassel         |
| 2,914,850 A | 12/1959 | Kuhnl          |
| 2,980,996 A | 4/1961  | Beran          |
| 3,306,297 A | 2/1967  | Voorhees       |
| 3,568,315 A | 3/1971  | Smith          |

**DESCRIPTION**

FIG. 1 is a perspective view of my new design showing it in an unfolded position.  
FIG. 2 is a top view thereof.  
FIG. 3 is a side view thereof.  
FIG. 4 is a front view thereof.  
FIG. 5 is a rear view thereof.  
FIG. 6 is a bottom view thereof.  
FIG. 7 is another side view thereof.  
FIG. 8 is a side view thereof showing it in a partially folded position; and,  
FIG. 9 is a side view thereof showing it in a folded position.  
The broken line showings of the handle are for illustrative purposes only and form no part of the claimed design.

**1 Claim, 4 Drawing Sheets**



# US D519,019 S

Page 2

---

| U.S. PATENT DOCUMENTS |         |                |                 |         |                         |
|-----------------------|---------|----------------|-----------------|---------|-------------------------|
|                       |         |                | 6,170,158 B1    | 1/2001  | Daily                   |
|                       |         |                | 6,256,887 B1    | 7/2001  | Osborne                 |
|                       |         |                | 6,256,888 B1    | 7/2001  | Shuen                   |
|                       |         |                | 6,263,581 B1    | 7/2001  | Forte                   |
|                       |         |                | 6,354,007 B1    | 3/2002  | Scarla                  |
|                       |         |                | 6,370,778 B1    | 4/2002  | Conable                 |
|                       |         |                | 6,446,341 B1    | 9/2002  | Wang                    |
|                       |         |                | 6,487,740 B1    | 12/2002 | Seber                   |
|                       |         |                | 6,574,868 B1    | 6/2003  | Overholt                |
|                       |         |                | 6,675,485 B1 *  | 1/2004  | Shih et al. .... 30/321 |
|                       |         |                | 6,688,003 B1    | 2/2004  | Scarla                  |
|                       |         |                | D494,437 S *    | 8/2004  | Scarla ..... D8/99      |
|                       |         |                | 6,915,577 B1 *  | 7/2005  | Scala ..... 30/156      |
|                       |         |                | 2002/0059730 A1 | 5/2002  | Flavigny                |
|                       |         |                | 2004/0020057 A1 | 2/2004  | Hughes                  |
|                       |         |                | 2004/0045171 A1 | 3/2004  | Moizis                  |
|                       |         |                | 2004/0103541 A1 | 6/2004  | Scarla                  |
|                       |         |                |                 |         | * cited by examiner     |
| 4,719,700 A           | 1/1988  | Taylor, Jr.    |                 |         |                         |
| 4,805,303 A           | 2/1989  | Gibbs          |                 |         |                         |
| 4,811,486 A           | 3/1989  | Cunningham     |                 |         |                         |
| 4,920,644 A           | 5/1990  | La Gattuta     |                 |         |                         |
| 4,936,014 A           | 6/1990  | Shaanan et al. |                 |         |                         |
| 5,044,079 A           | 9/1991  | Gibbs          |                 |         |                         |
| 5,095,624 A           | 3/1992  | Ennis          |                 |         |                         |
| 5,125,157 A           | 6/1992  | Howard         |                 |         |                         |
| 5,400,509 A           | 3/1995  | Collins        |                 |         |                         |
| 5,511,310 A           | 4/1996  | Sessions       |                 |         |                         |
| 5,769,094 A           | 6/1998  | Jenkins, Jr.   |                 |         |                         |
| 5,815,927 A           | 10/1998 | Collins        |                 |         |                         |
| 5,826,340 A           | 10/1998 | Hull           |                 |         |                         |
| 5,909,930 A           | 6/1999  | Ragland        |                 |         |                         |
| 5,966,816 A           | 10/1999 | Roberson       |                 |         |                         |
| 5,979,059 A           | 11/1999 | Leatherman     |                 |         |                         |
| 6,170,104 B1          | 1/2001  | Seber          |                 |         |                         |

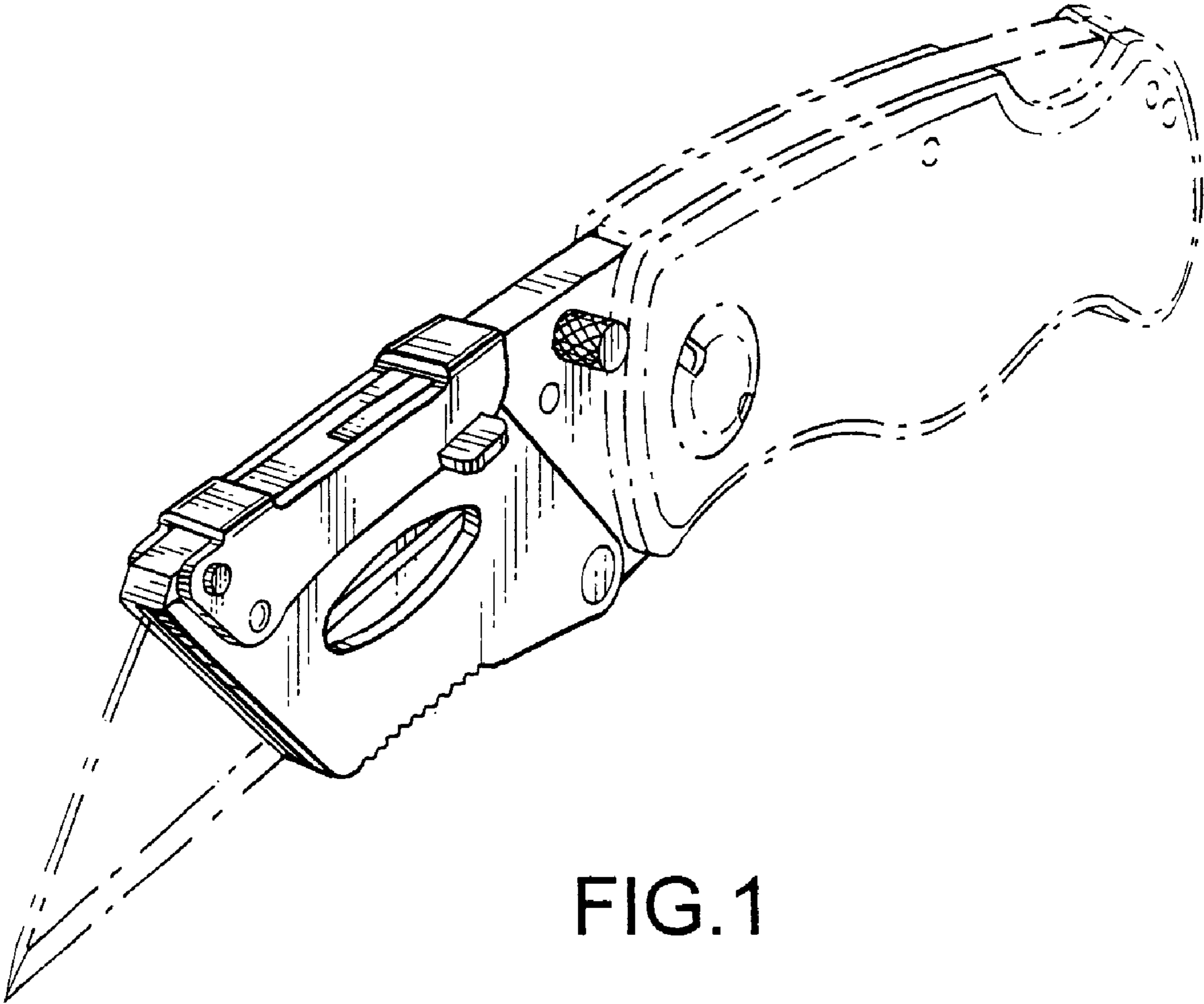


FIG.1

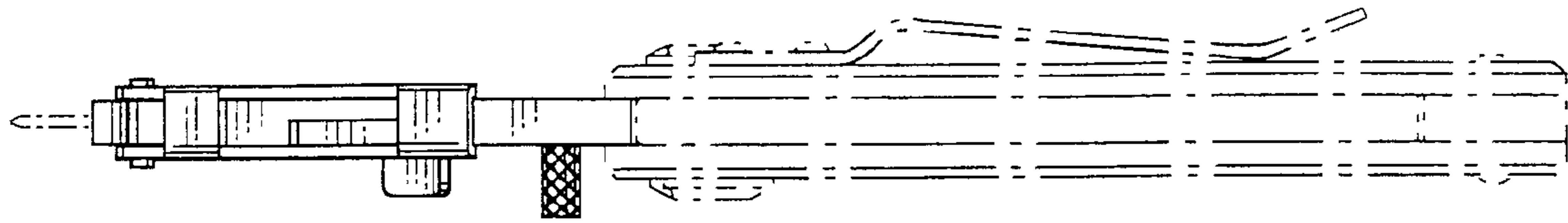


FIG. 2

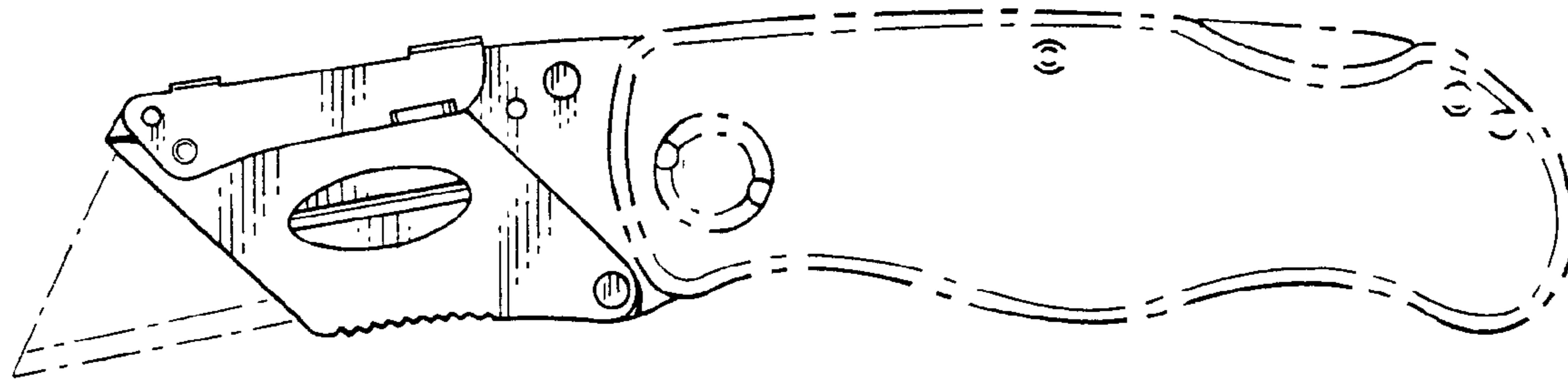


FIG. 3

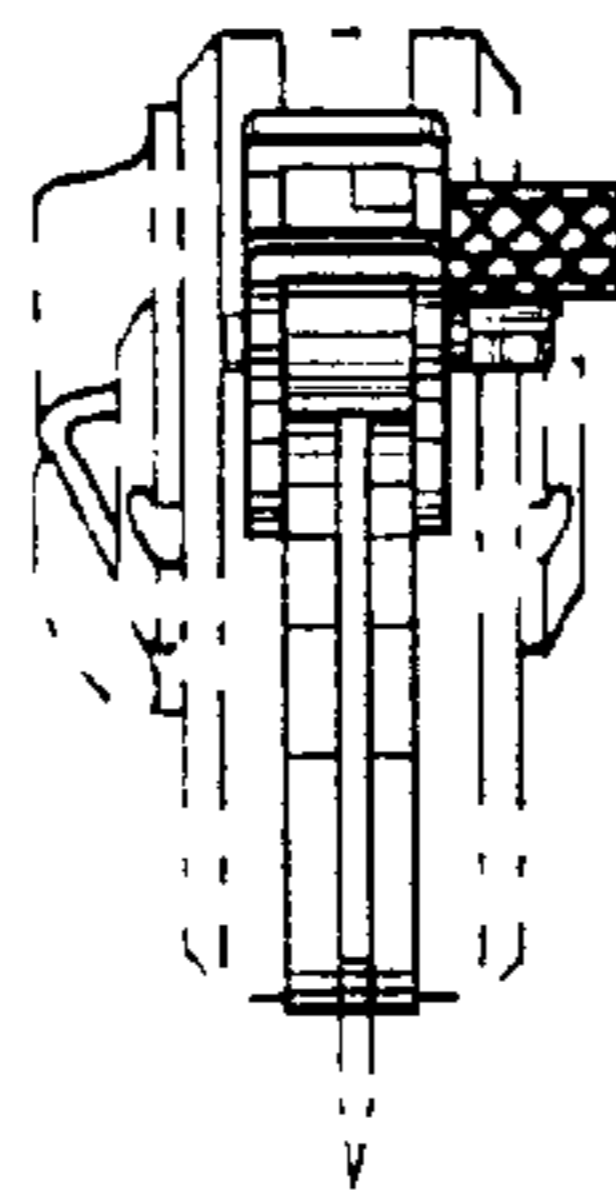


FIG. 4

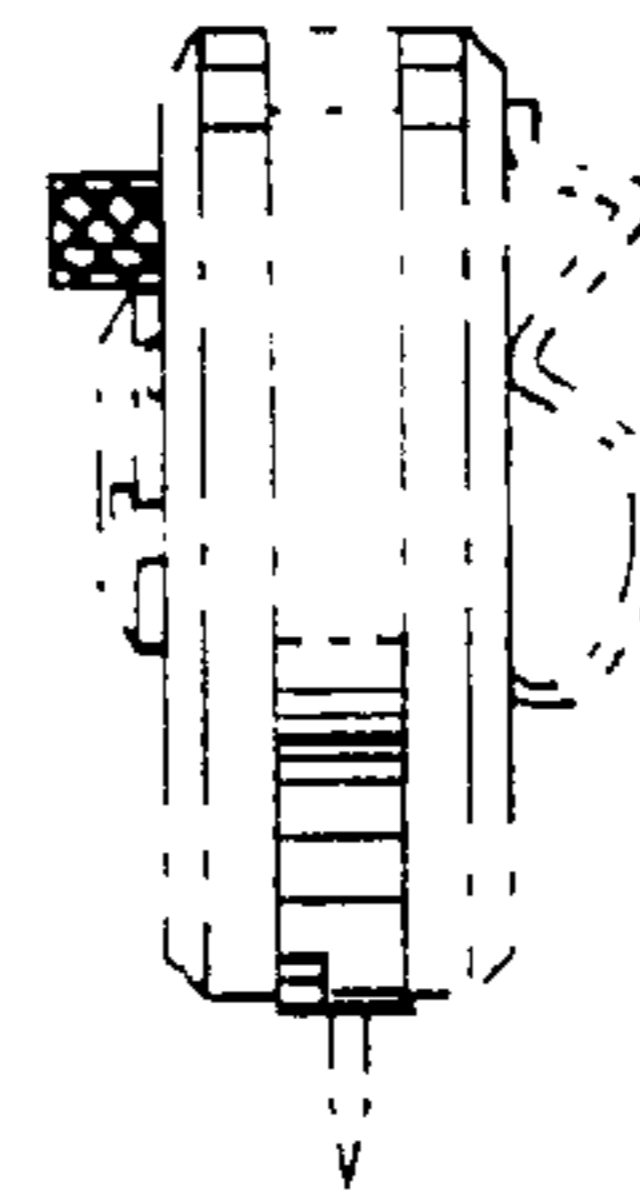


FIG. 5

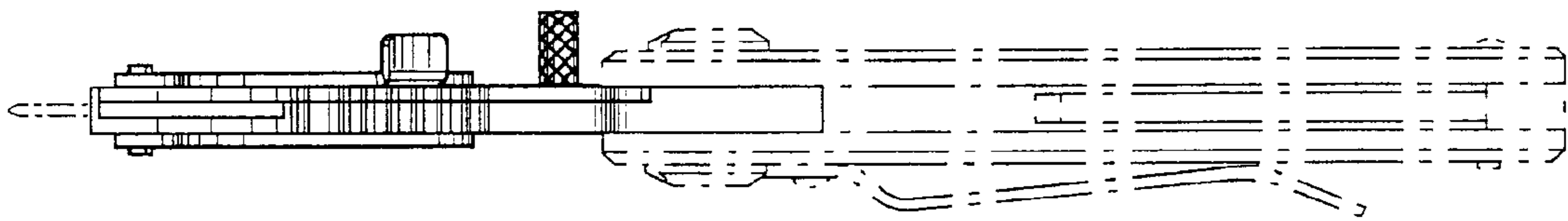


FIG.6

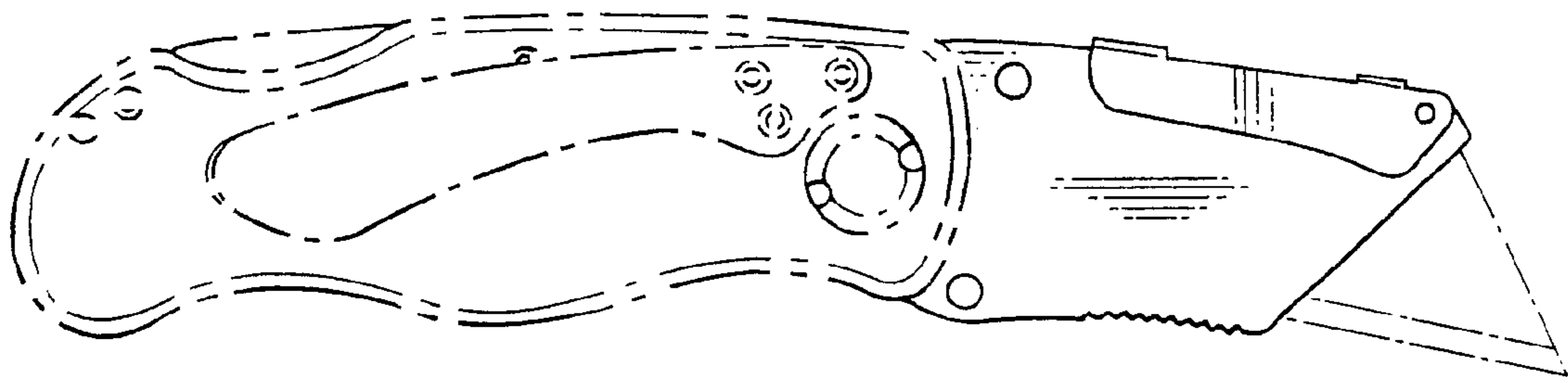


FIG.7

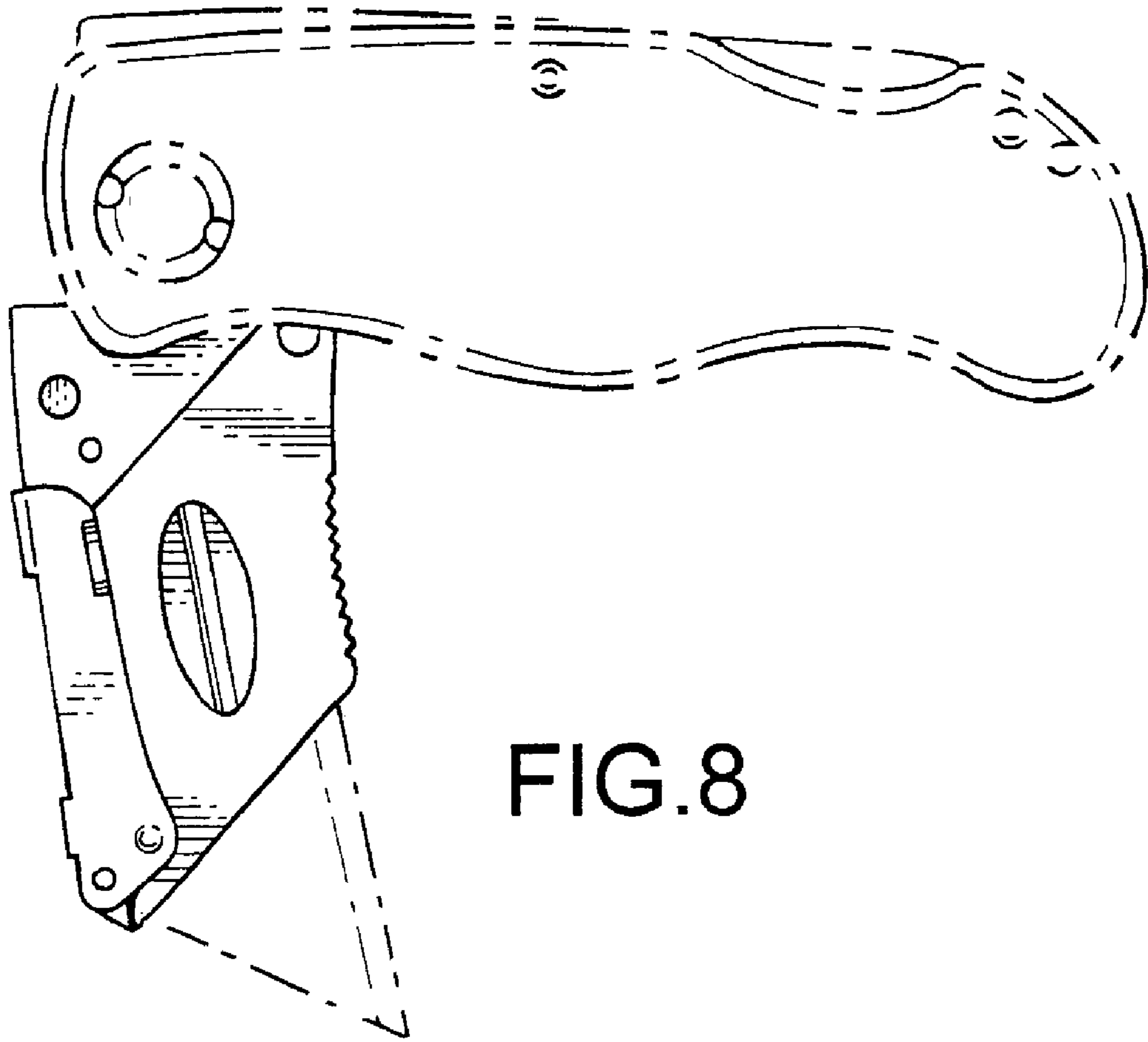


FIG. 8

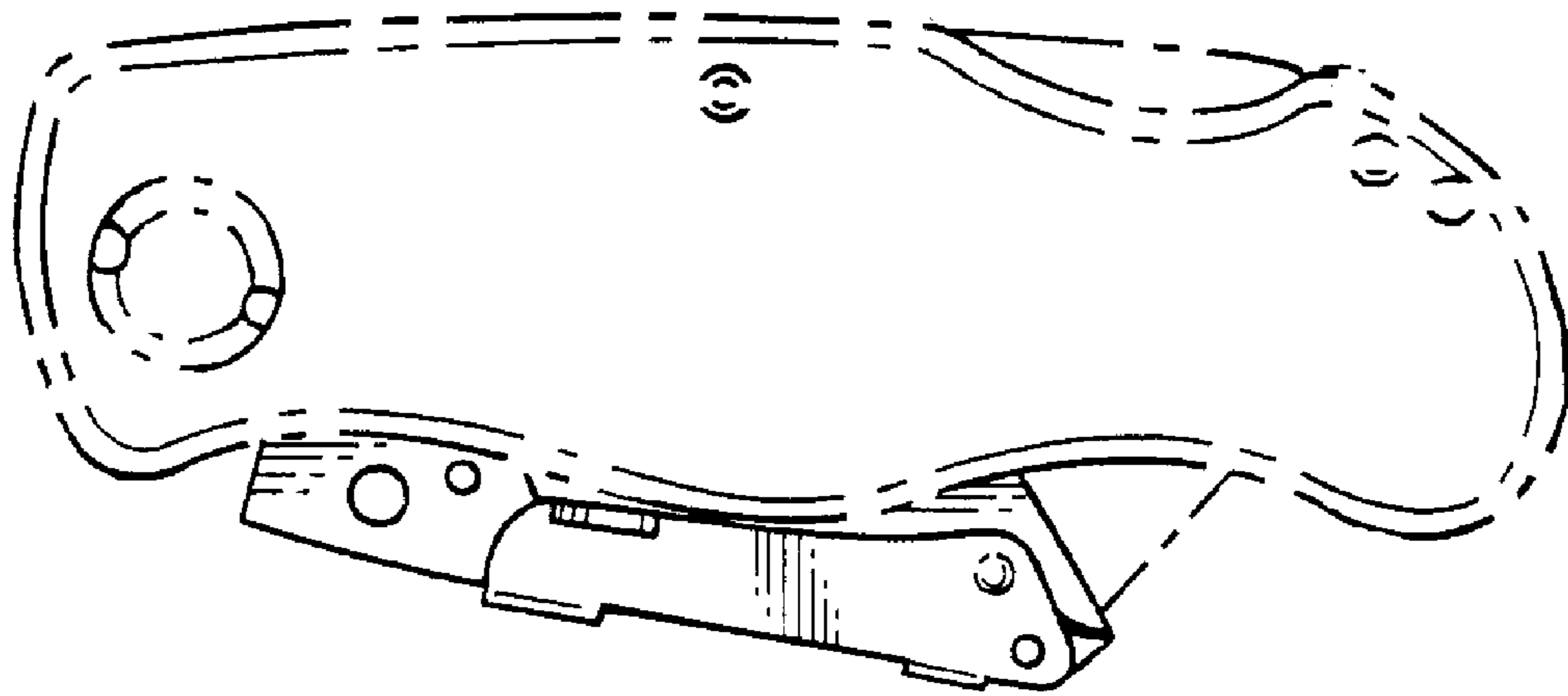


FIG. 9