



US00D519012S

(12) **United States Design Patent**
Miller

(10) **Patent No.:** **US D519,012 S**
(45) **Date of Patent:** **** Apr. 18, 2006**

(54) **REVERSIBLE GRIP TROWEL HANDLE**

(75) Inventor: **Jon Miller**, Fullerton, CA (US)

(73) Assignee: **Custom Building Products**, Seal Beach, CA (US)

(**) Term: **14 Years**

(21) Appl. No.: **29/222,429**

(22) Filed: **Jan. 27, 2005**

(51) **LOC (8) Cl.** **08-05**

(52) **U.S. Cl.** **D8/45; D8/107**

(58) **Field of Classification Search** D8/107,
D8/45, 10; 15/235.4, 236.08, 236.06, 245.1

See application file for complete search history.

(56) **References Cited**

U.S. PATENT DOCUMENTS

751,356	A	*	2/1904	Smith	15/235.4
3,095,594	A	*	7/1963	Dornbos	15/235.4
6,178,586	B1		1/2001	Jafarmadar		
6,205,610	B1		3/2001	Westthorp		
D446,105	S	*	8/2001	Hsiao	D8/107
D465,397	S	*	11/2002	Chen	D8/107
2001/0052163	A1	*	12/2001	Kelsay et al.	15/235.4

FOREIGN PATENT DOCUMENTS

GB 2 259 938 A 3/1993

OTHER PUBLICATIONS

Internet printout re European Tile Masters, 1Y—Euro Notch Trowel and 2Y—Euro Angle Trowel, pp 22–23, Mar. 1, 2004.

Superior Bilt catalog, pp 22–23 plus front and back pages of the catalog (©2003).

* cited by examiner

Primary Examiner—Holly H. Baynham

(74) *Attorney, Agent, or Firm*—Fulwinder Patton LLP

(57) **CLAIM**

The ornamental design for a reversible grip trowel handle, as shown.

DESCRIPTION

FIG. 1 is a front perspective view of a reversible grip trowel handle showing my new design.

FIG. 2 is a top plan view thereof.

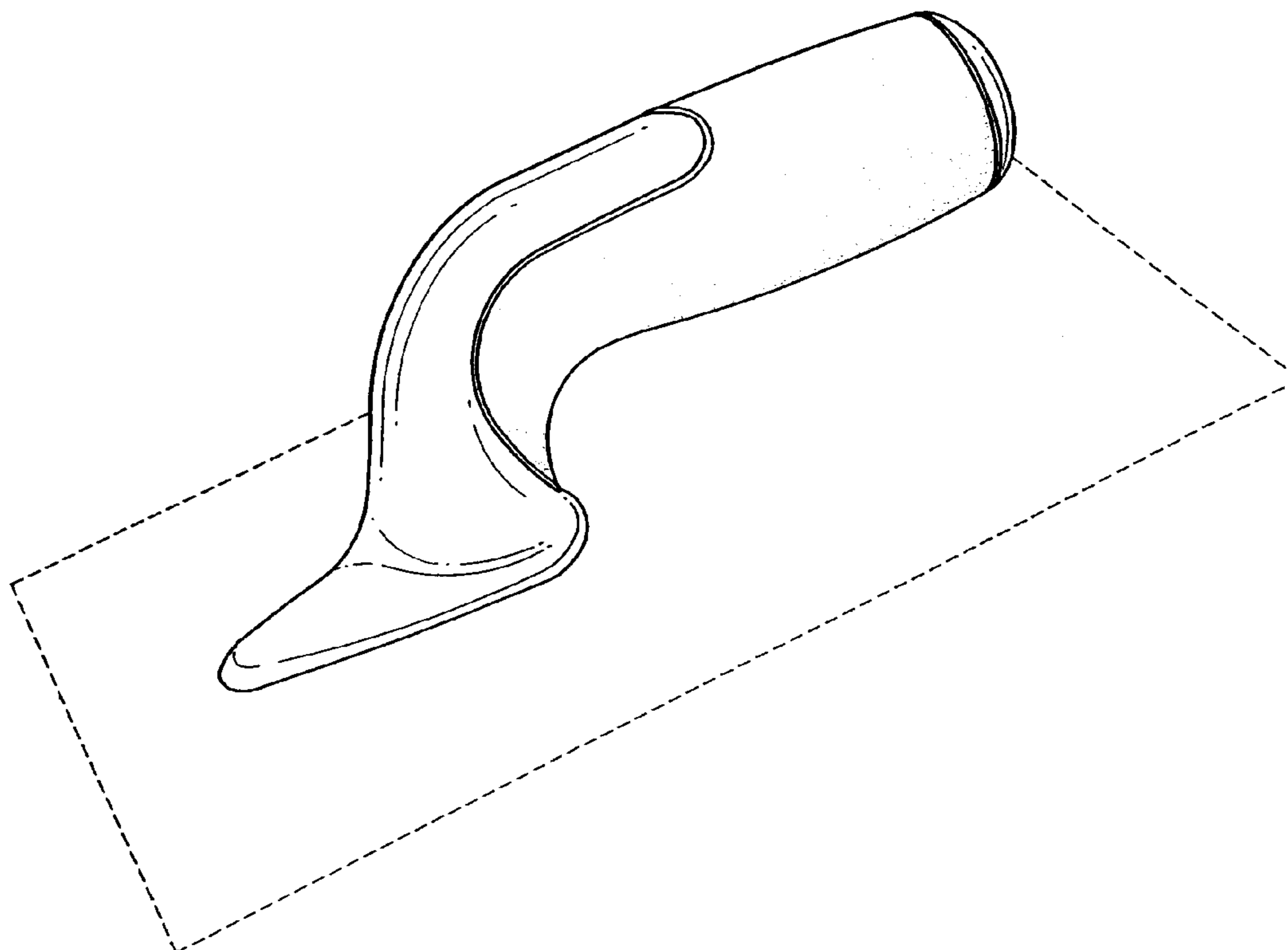
FIG. 3 is a right side elevational view thereof, of which the left side elevational view is substantially a mirror image.

FIG. 4 is a front view thereof; and,

FIG. 5 is a rear view thereof.

The undisclosed bottom surface is not part of the claimed design. The broken line showing of the trowel blade is for illustrative purposes only and forms no part of the claimed design.

1 Claim, 3 Drawing Sheets



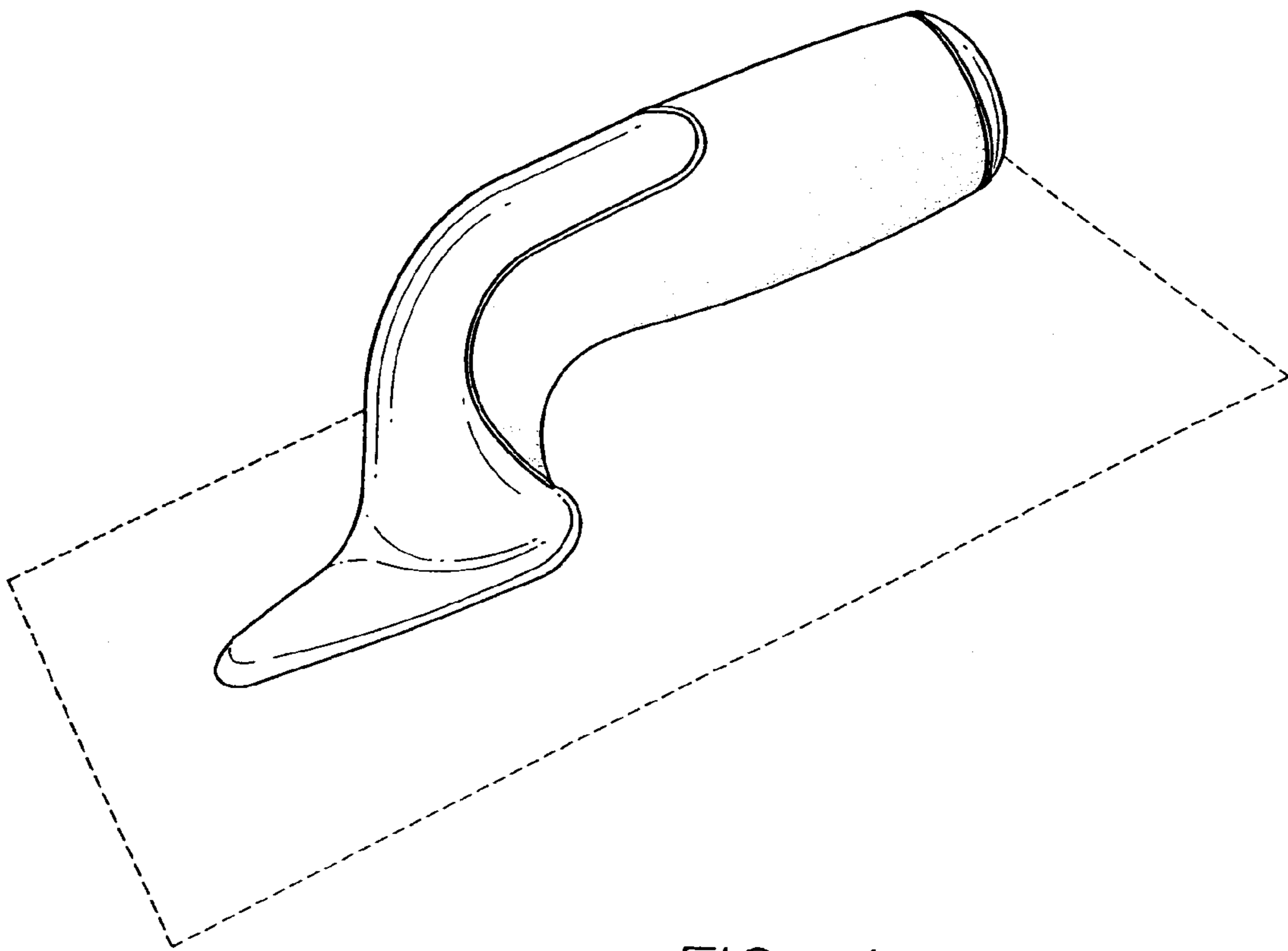


FIG. 1

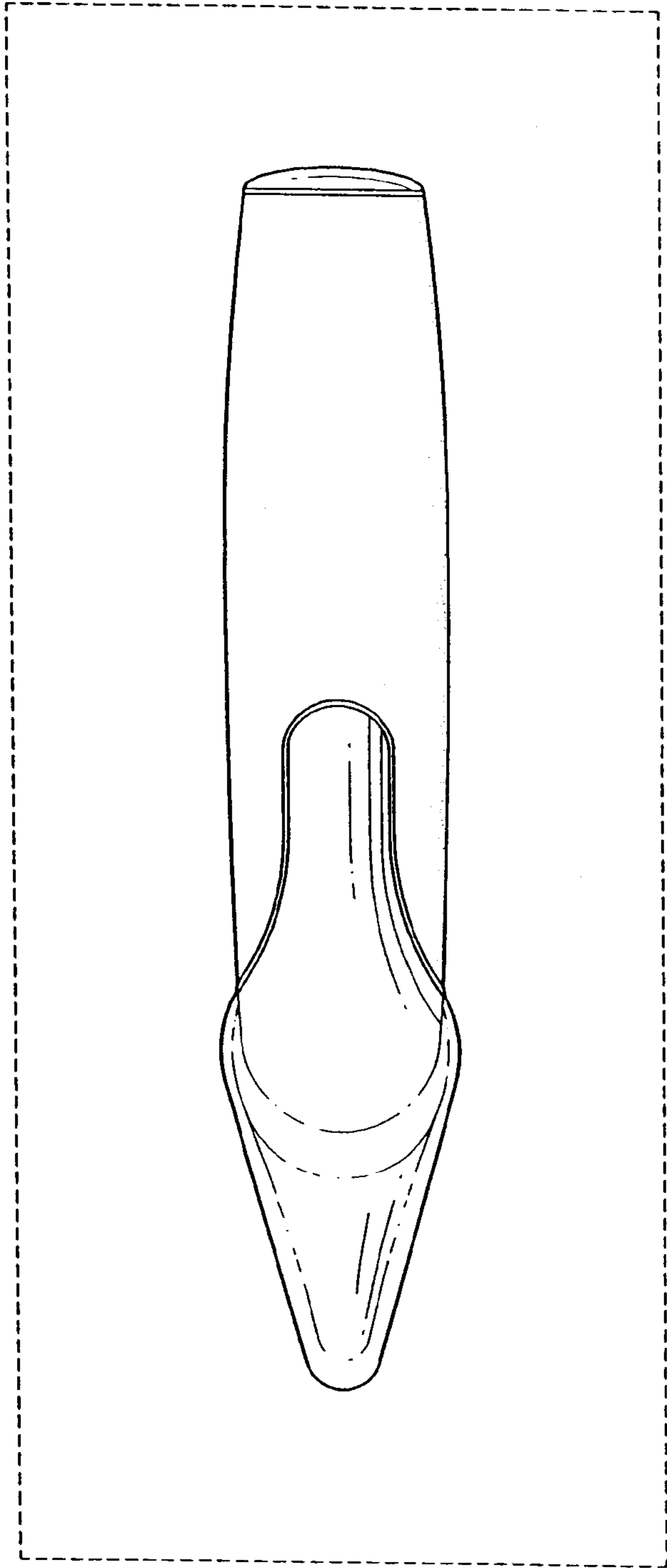


FIG. 2

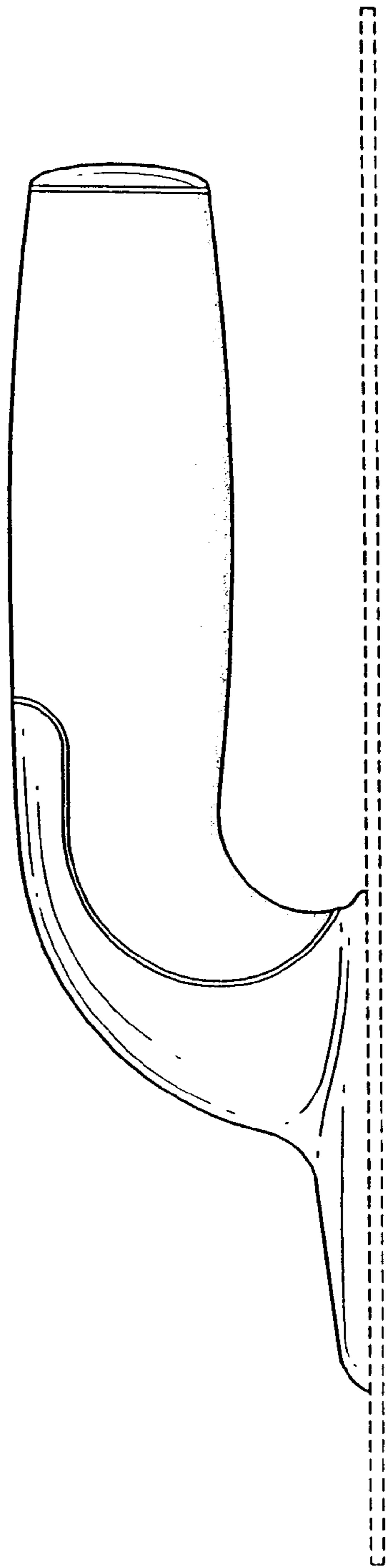


FIG. 3

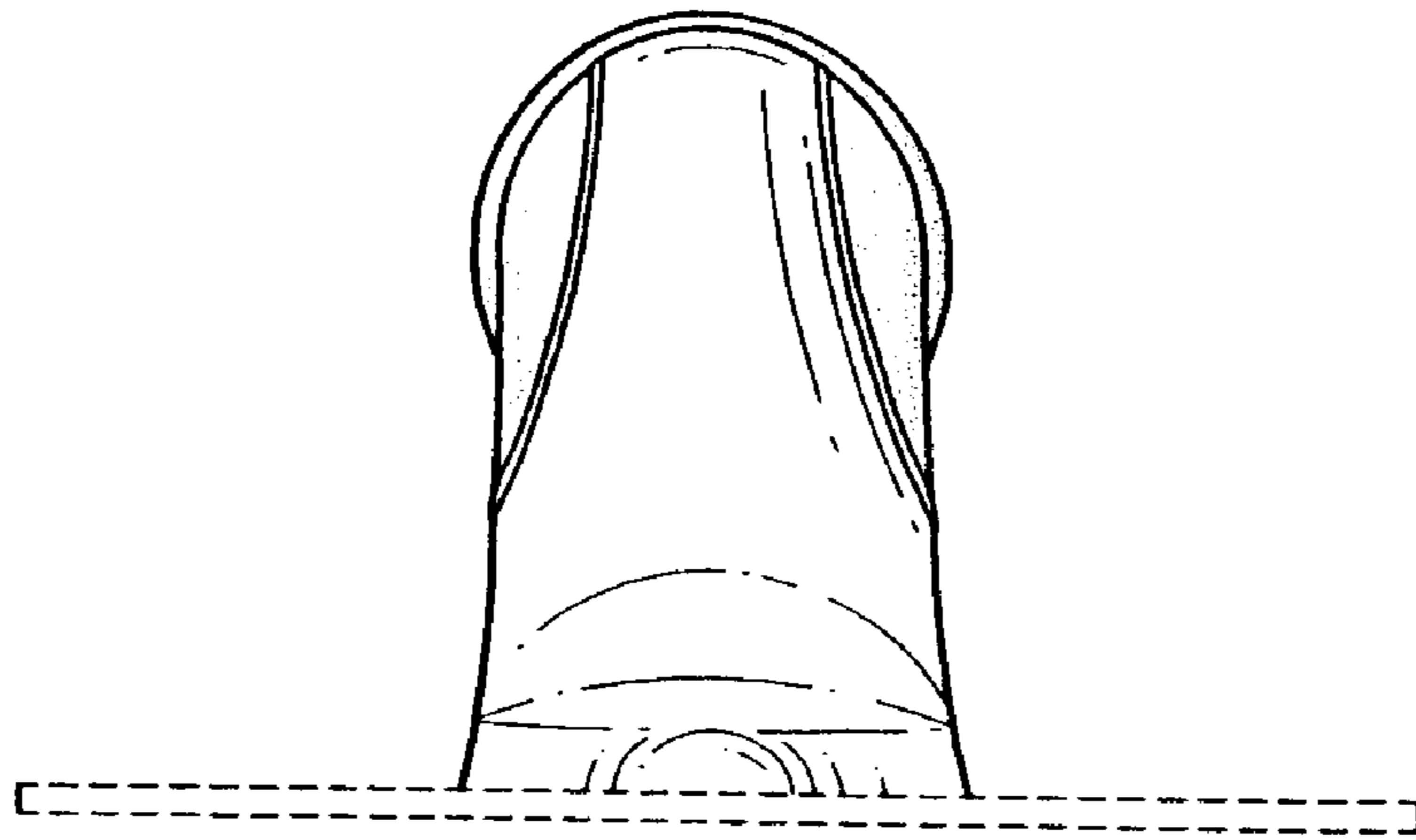


FIG. 4

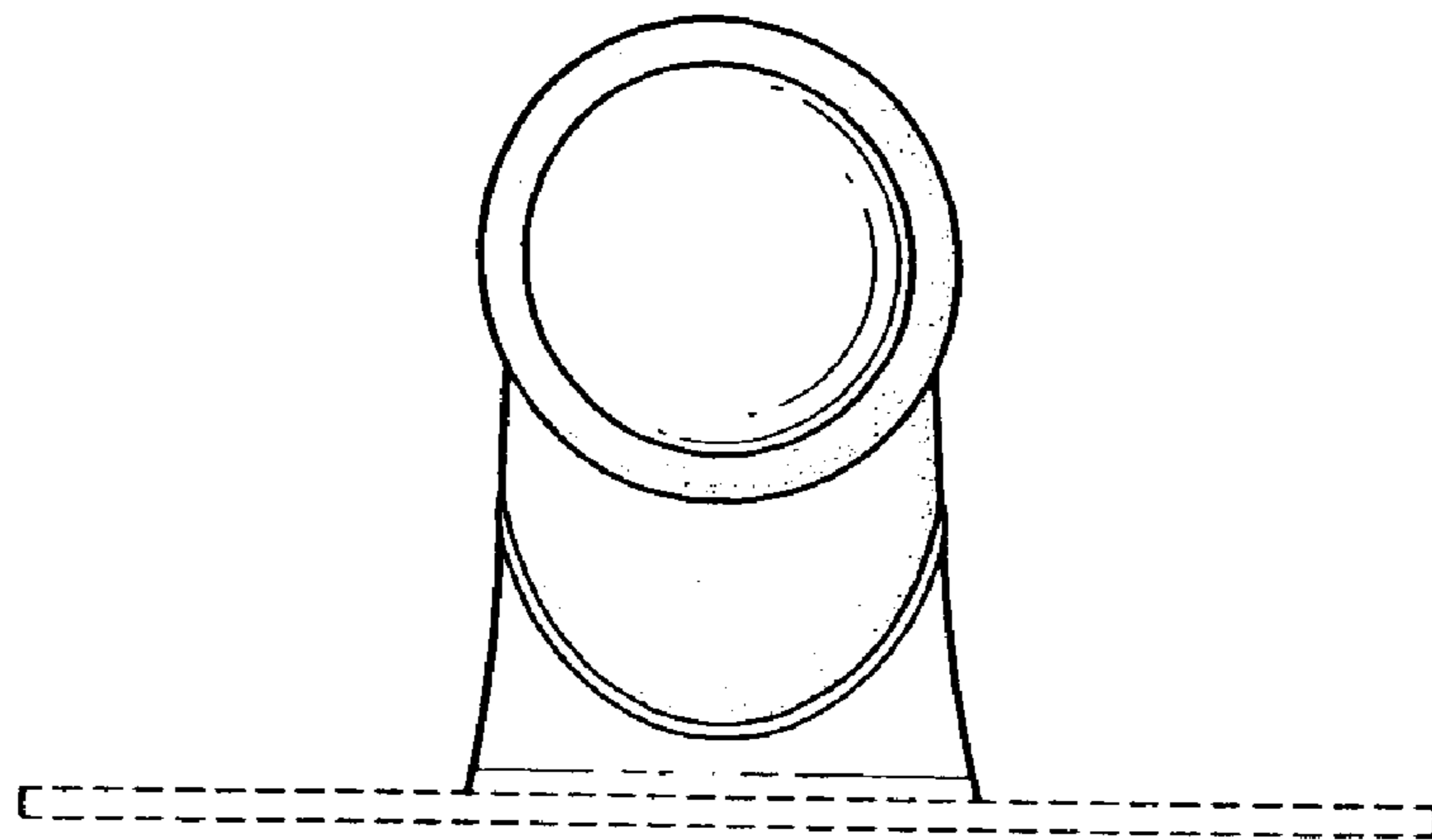


FIG. 5