



US00D519006S

(12) **United States Design Patent**
Sanfilippo et al.

(10) **Patent No.:** **US D519,006 S**

(45) **Date of Patent:** **** Apr. 18, 2006**

(54) **DISPENSER FUNNEL**

(75) Inventors: **John E. Sanfilippo**, Barrington Hills, IL (US); **James J. Sanfilippo**, Barrington Hills, IL (US); **Javier Soria**, Northlake, IL (US)

(73) Assignee: **Clear Lam Packaging, Inc.**, Elk Grove Village, IL (US)

(**) Term: **14 Years**

(21) Appl. No.: **29/219,074**

(22) Filed: **Dec. 10, 2004**

(51) **LOC (8) Cl.** **07-99**

(52) **U.S. Cl.** **D7/700; D7/669**

(58) **Field of Classification Search** D7/669, D7/368, 590, 589, 700; D9/447; 141/95, 141/98, 297-300, 331-345; 222/102, 309, 222/336, 341, 465.1, 470-474, 510
See application file for complete search history.

(56) **References Cited**

U.S. PATENT DOCUMENTS

2,825,494 A * 3/1958 Belshaw 222/440

3,150,802 A * 9/1964 Pribyl 222/309
3,260,419 A * 7/1966 Weimer et al. 222/309
D208,261 S * 8/1967 Alkonis D7/669
D316,830 S * 5/1991 Demakas et al. D7/368

* cited by examiner

Primary Examiner—Terry A. Wallace

(74) *Attorney, Agent, or Firm*—Cardinal Law Group

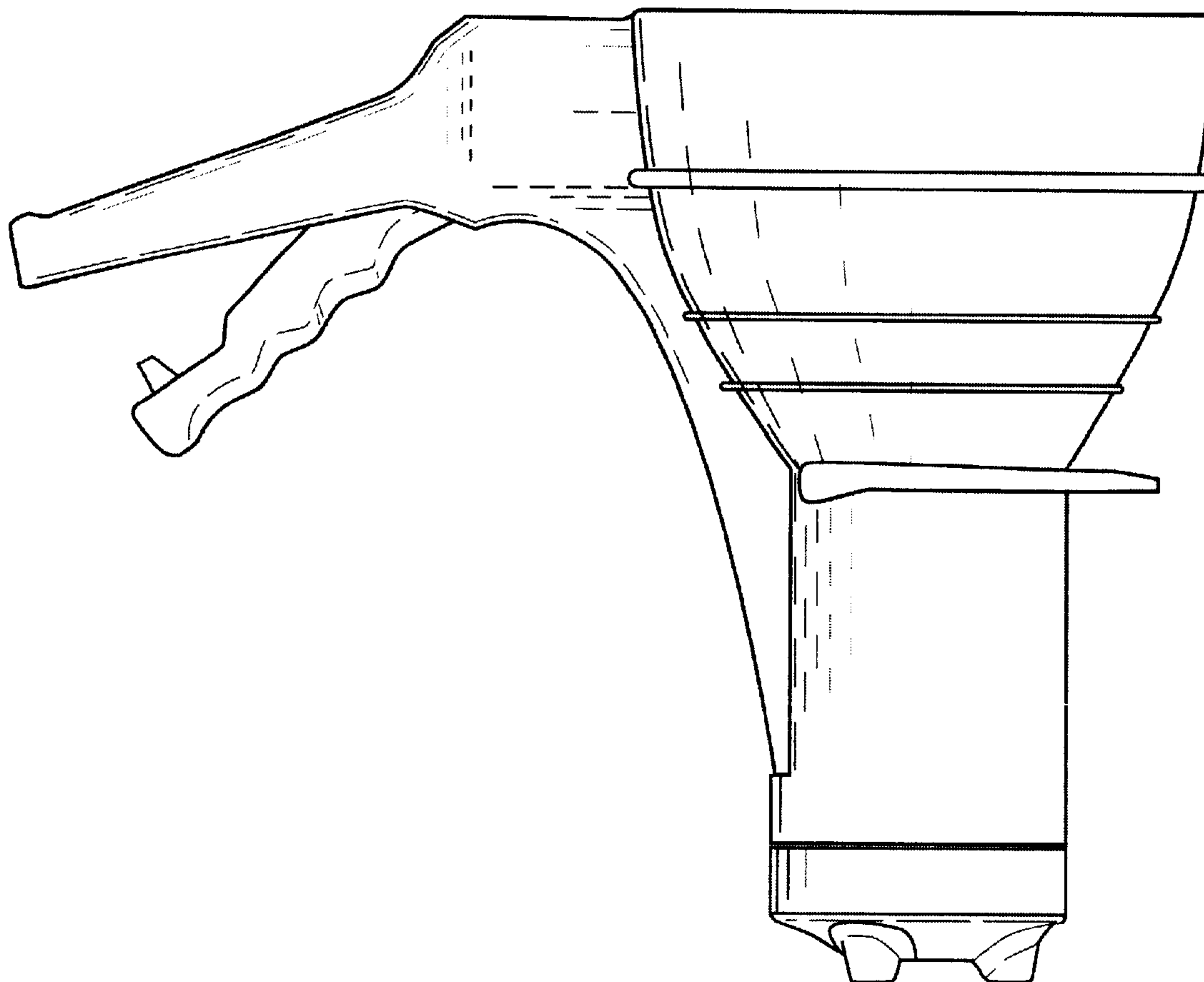
(57) **CLAIM**

The ornamental design for a dispenser funnel, as shown and described.

DESCRIPTION

FIG. 1 is a perspective view of the dispenser funnel;
FIG. 2 is a side view of the dispenser funnel;
FIG. 3 is a side view of the dispenser funnel of FIG. 2 rotated 180 degrees;
FIG. 4 is a top view of the dispenser funnel;
FIG. 5 is a bottom view of the dispenser funnel;
FIG. 6 is a front view of the dispenser funnel of FIG. 2; and,
FIG. 7 is a back view of the dispenser funnel of FIG. 2.

1 Claim, 5 Drawing Sheets



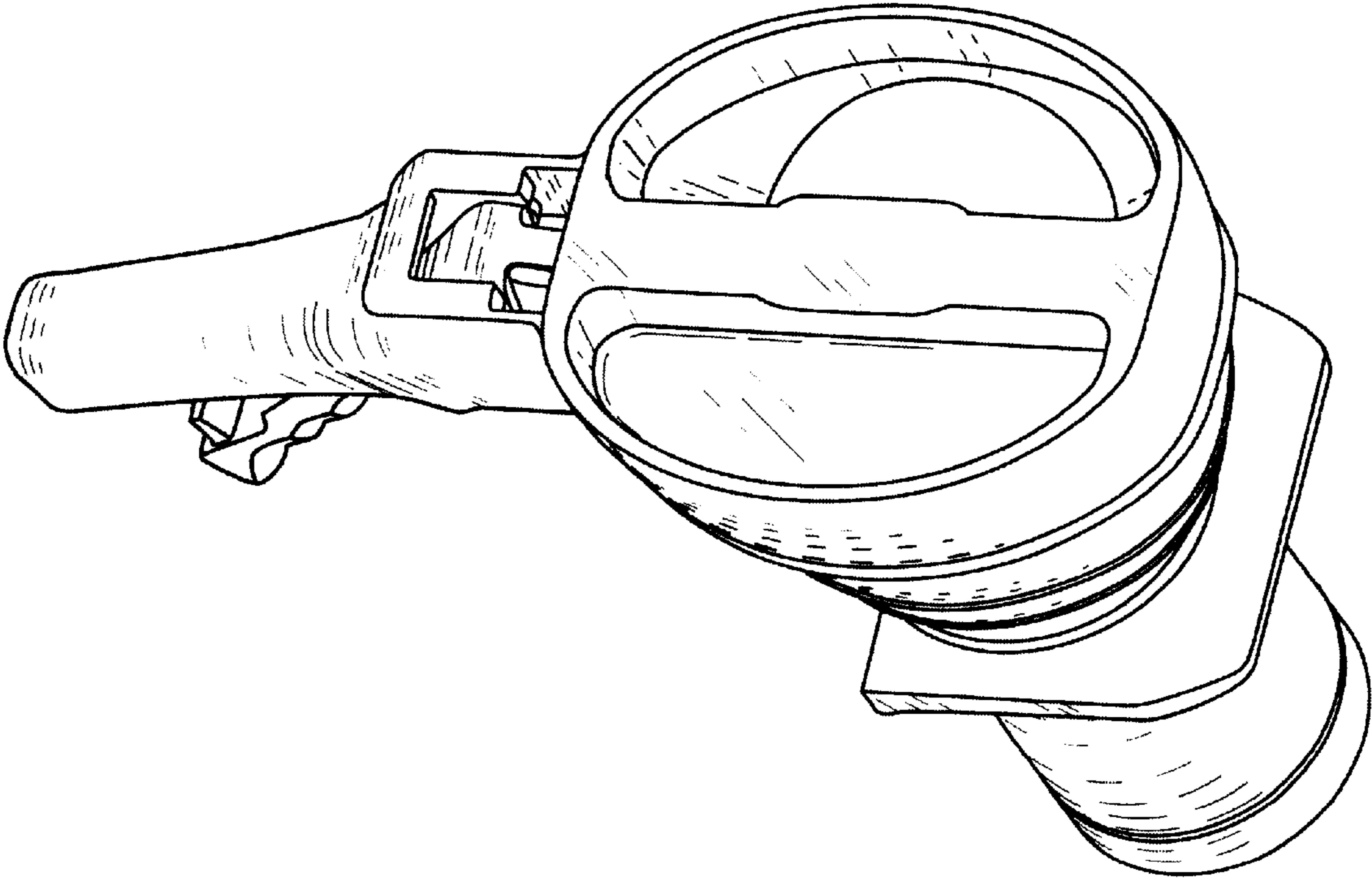


FIG. 1

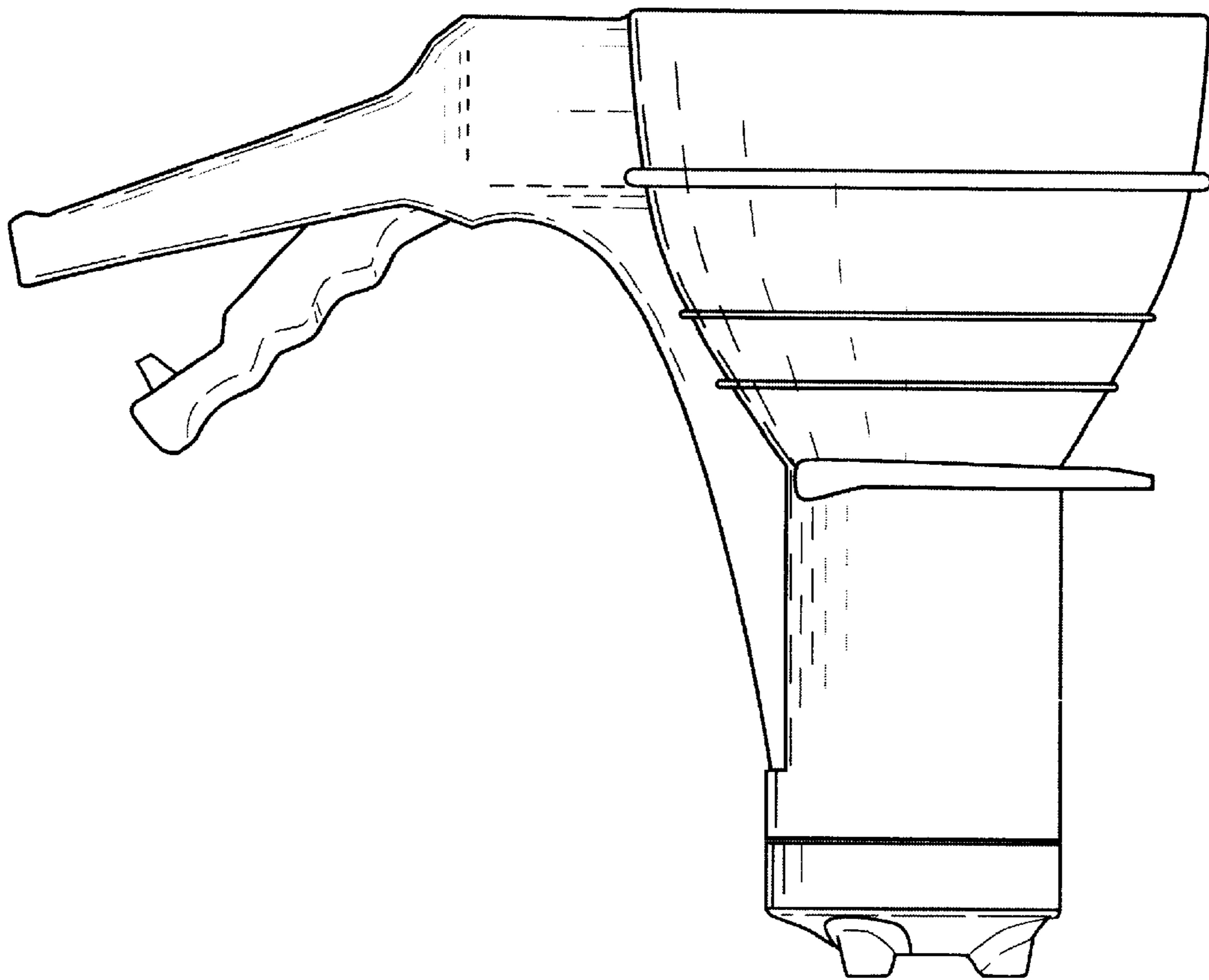


FIG. 2

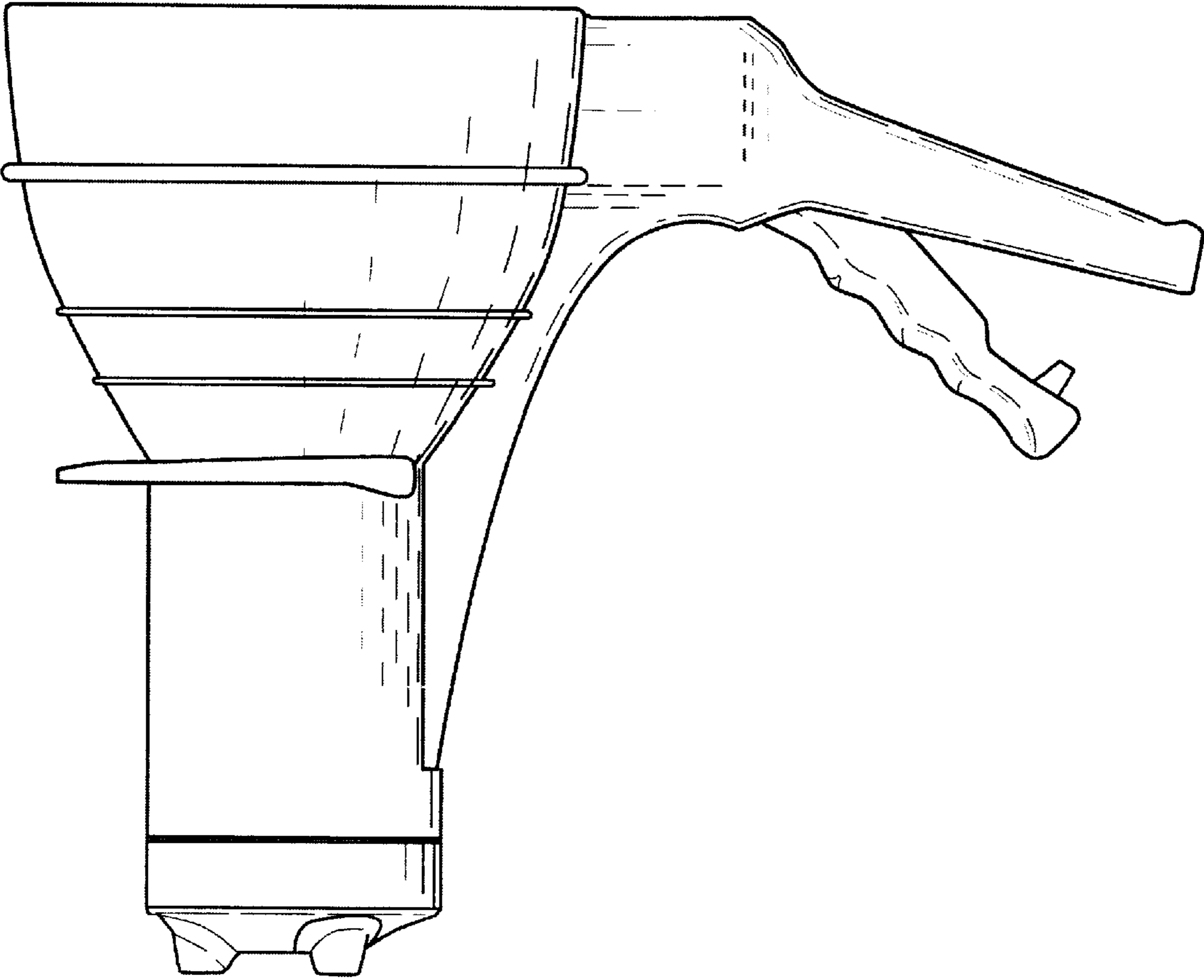


FIG. 3

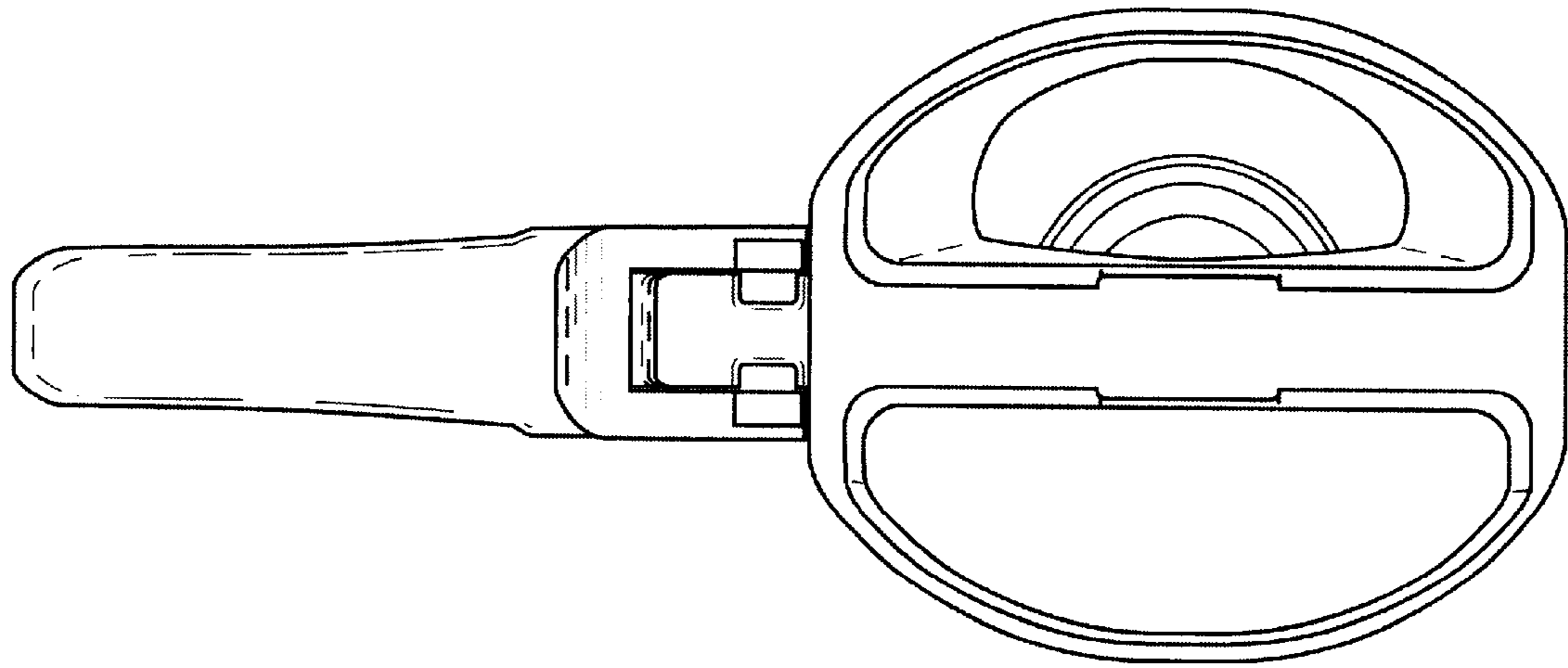


FIG. 4

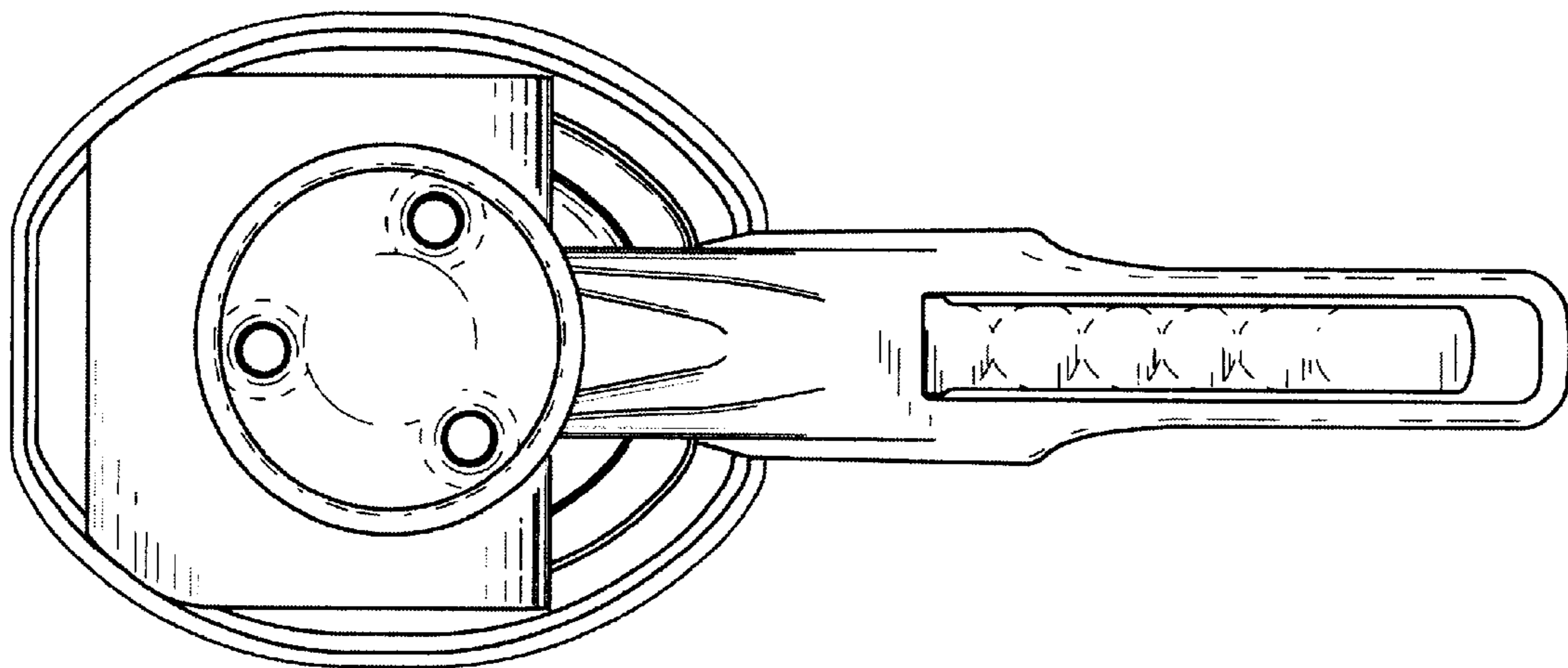


FIG. 5

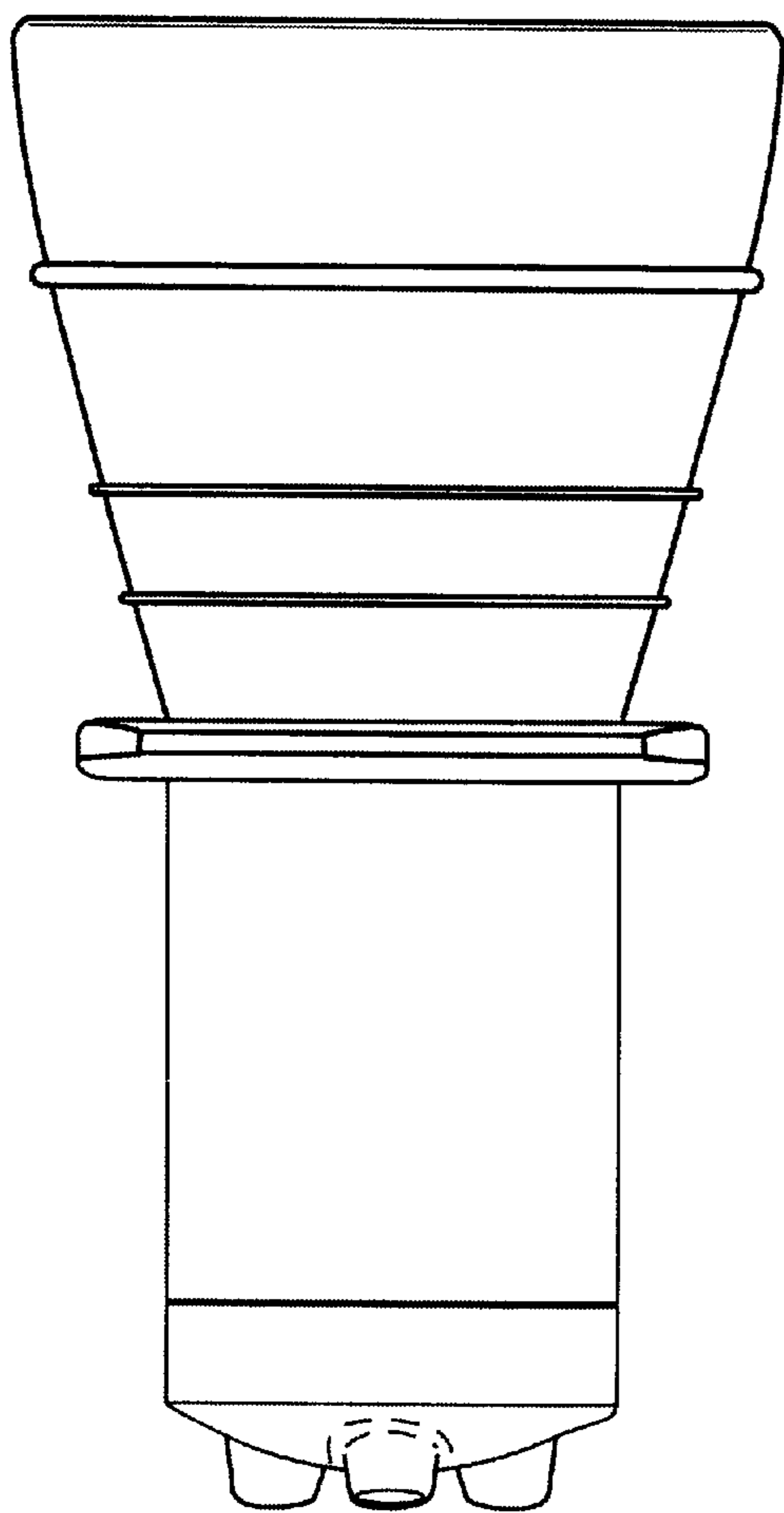


FIG. 6

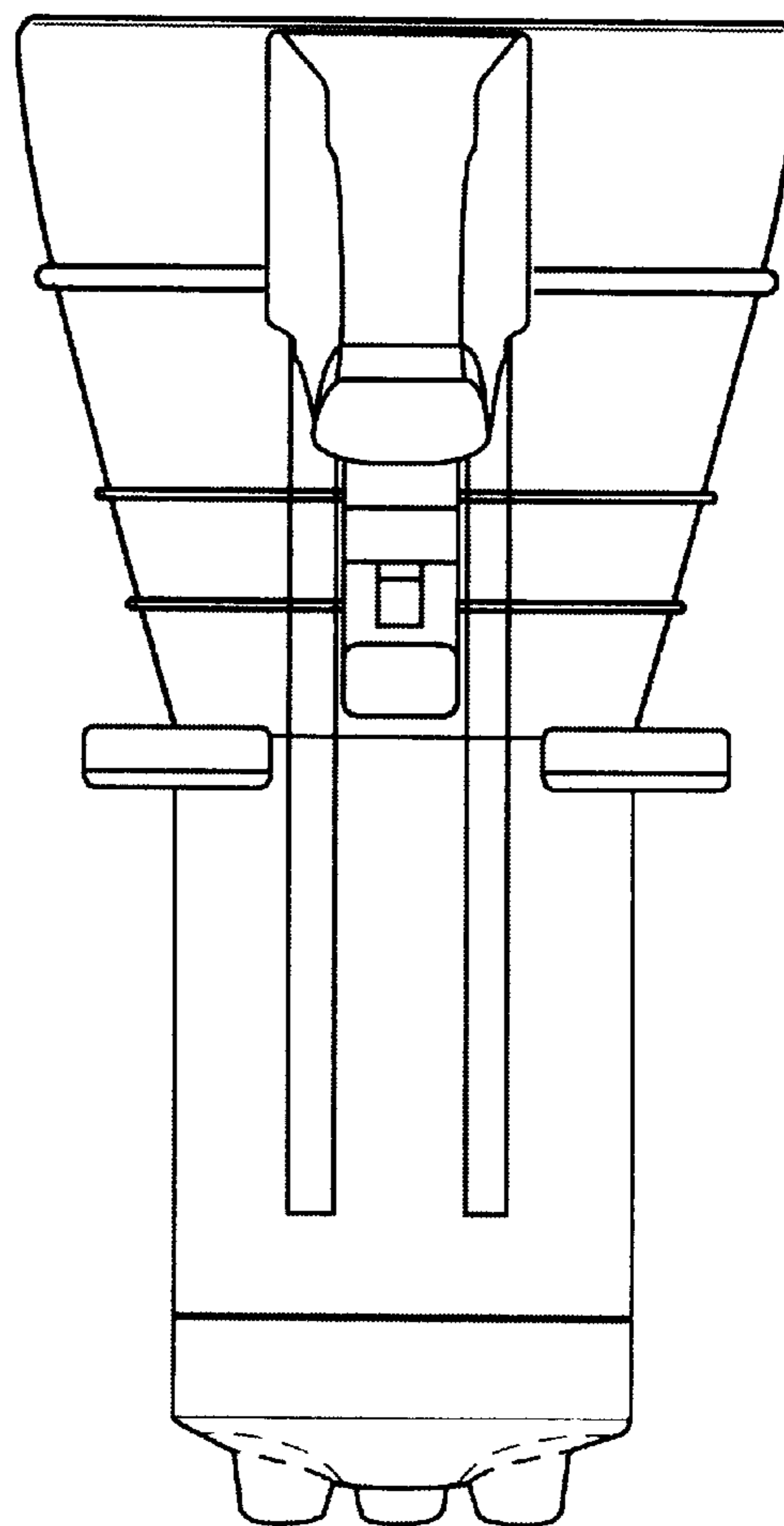


FIG. 7