

US00D519005S

(12) **United States Design Patent**  
**Law**

(10) **Patent No.:** **US D519,005 S**

(45) **Date of Patent:** **\*\* Apr. 18, 2006**

(54) **PINEAPPLE SLICER**

(76) **Inventor:** **Yung Kai Law**, 12/F Kai Center, Kwun Tong, Kowloon (HK)

(\*\*) **Term:** **14 Years**

(21) **Appl. No.:** **29/196,508**

(22) **Filed:** **Dec. 30, 2003**

(30) **Foreign Application Priority Data**

Sep. 2, 2003 (GB) ..... 3014251

(51) **LOC (8) Cl.** ..... **07-04**

(52) **U.S. Cl.** ..... **D7/696**

(58) **Field of Classification Search** ..... D7/696,  
D7/693; 30/113.1, 113.3, 300-302, 316;  
99/505, 515, 538-545, 547

See application file for complete search history.

(56) **References Cited**

**U.S. PATENT DOCUMENTS**

2,188,362 A \* 1/1940 Krilow ..... 30/113.3  
D130,446 S \* 11/1941 Rosenbloom ..... D7/696

3,111,995 A \* 11/1963 Dahl ..... 30/316  
5,056,223 A \* 10/1991 Buck et al. .... 30/113.1  
D355,339 S \* 2/1995 Aulbers et al. .... D7/696  
5,457,888 A \* 10/1995 Lin ..... 30/113.3  
D422,854 S \* 4/2000 Wallays ..... D7/696

\* cited by examiner

*Primary Examiner*—Terry A. Wallace

(74) *Attorney, Agent, or Firm*—Carmody & Torrance LLP

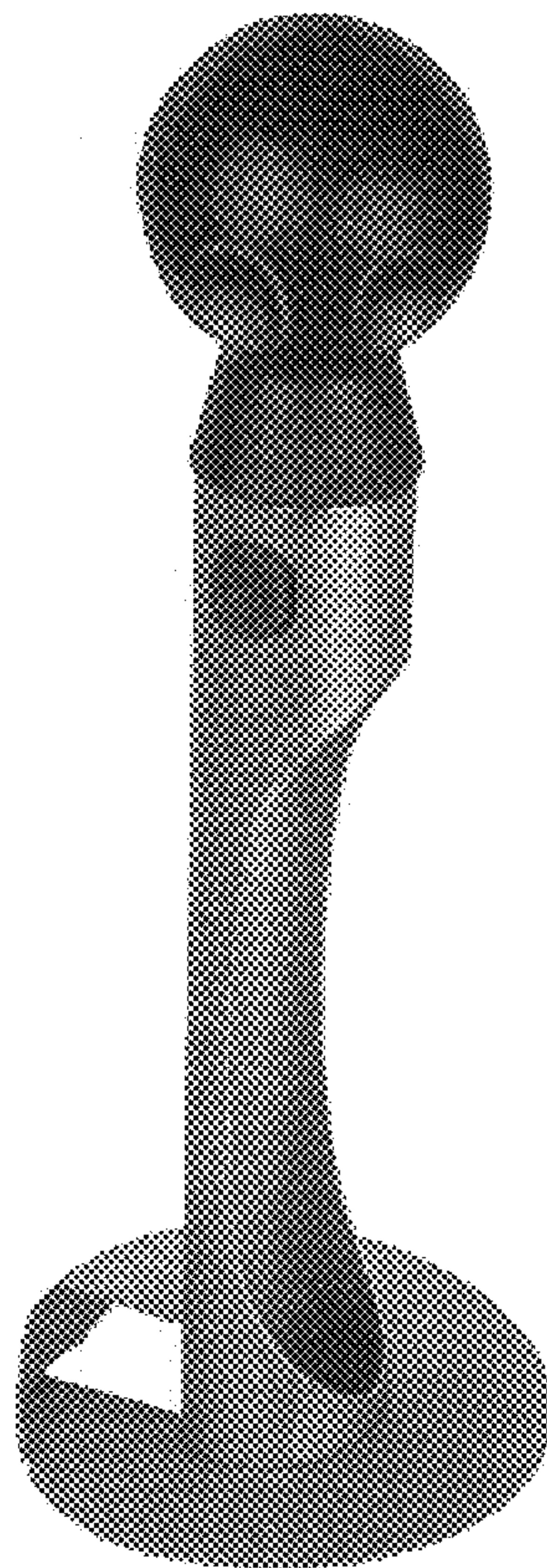
(57) **CLAIM**

The ornamental design for a pineapple slicer, as shown and described.

**DESCRIPTION**

FIGS. 1, 4 and 5 are perspective views of a pineapple slicer showing my new design;  
FIG. 2 is a front view thereof;  
FIG. 3 is a rear view thereof;  
FIGS. 6 and 7 are side views thereof;  
FIG. 8 is a bottom plan view thereof; and,  
FIG. 9 is a perspective view with the handle removed.

**1 Claim, 4 Drawing Sheets**



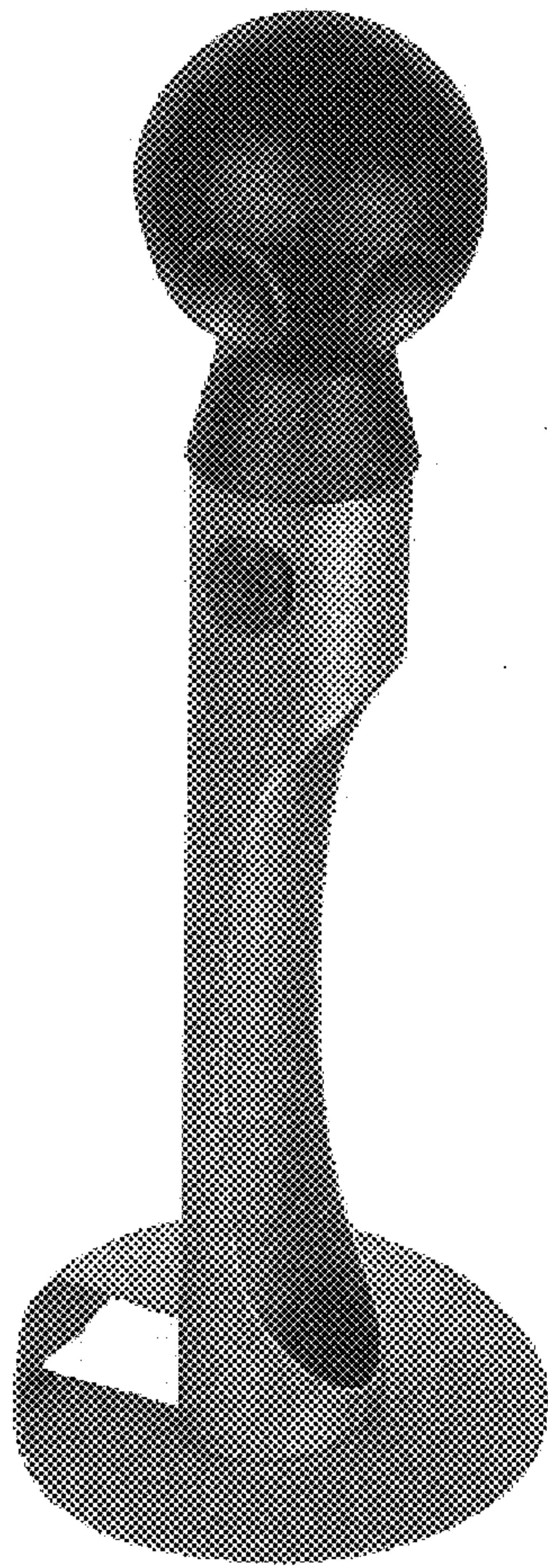


FIG. 1

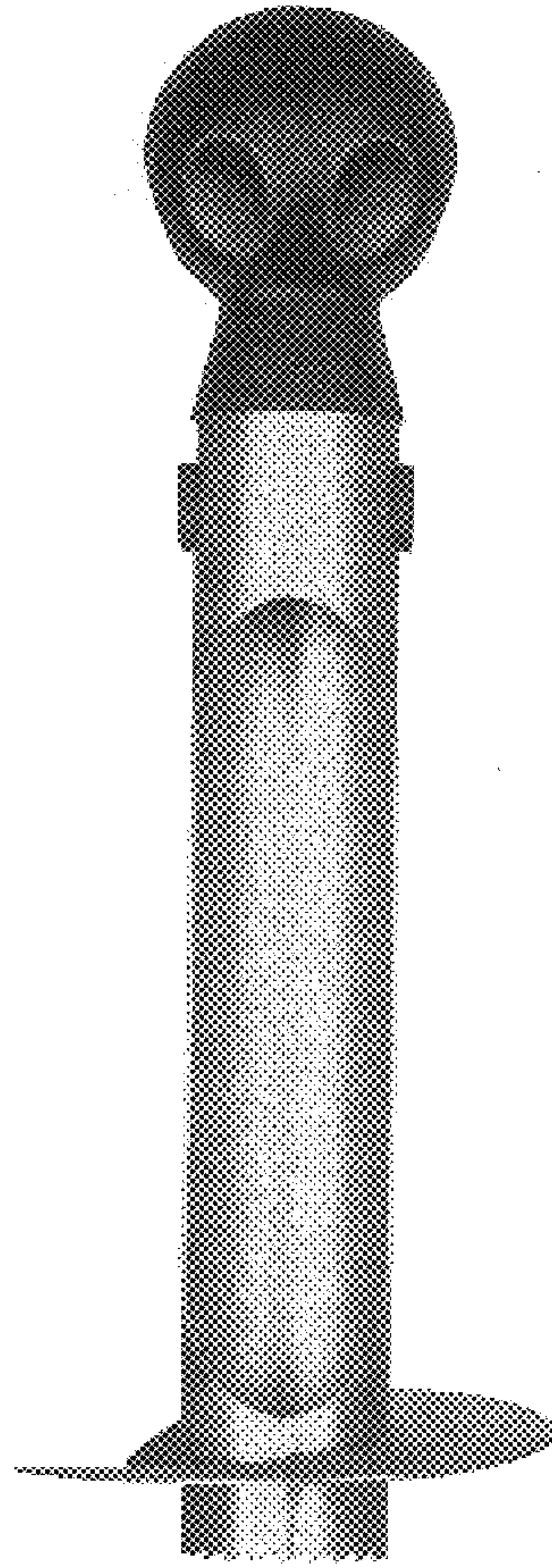


FIG. 2

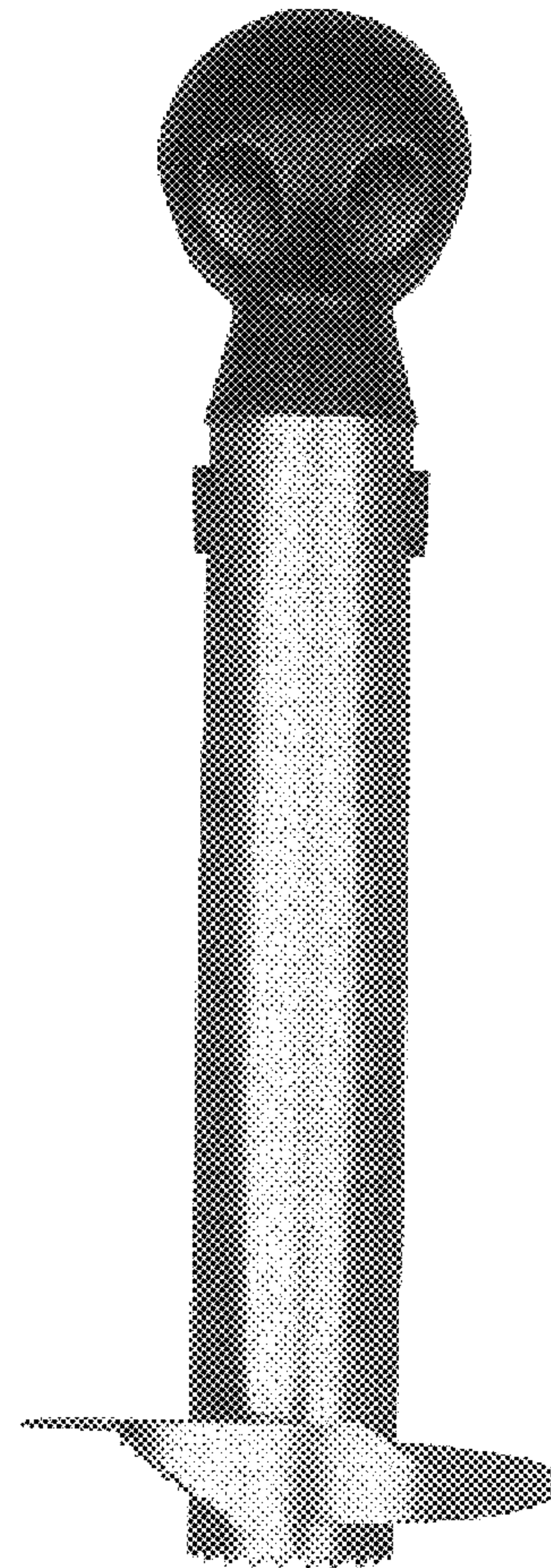


FIG. 3



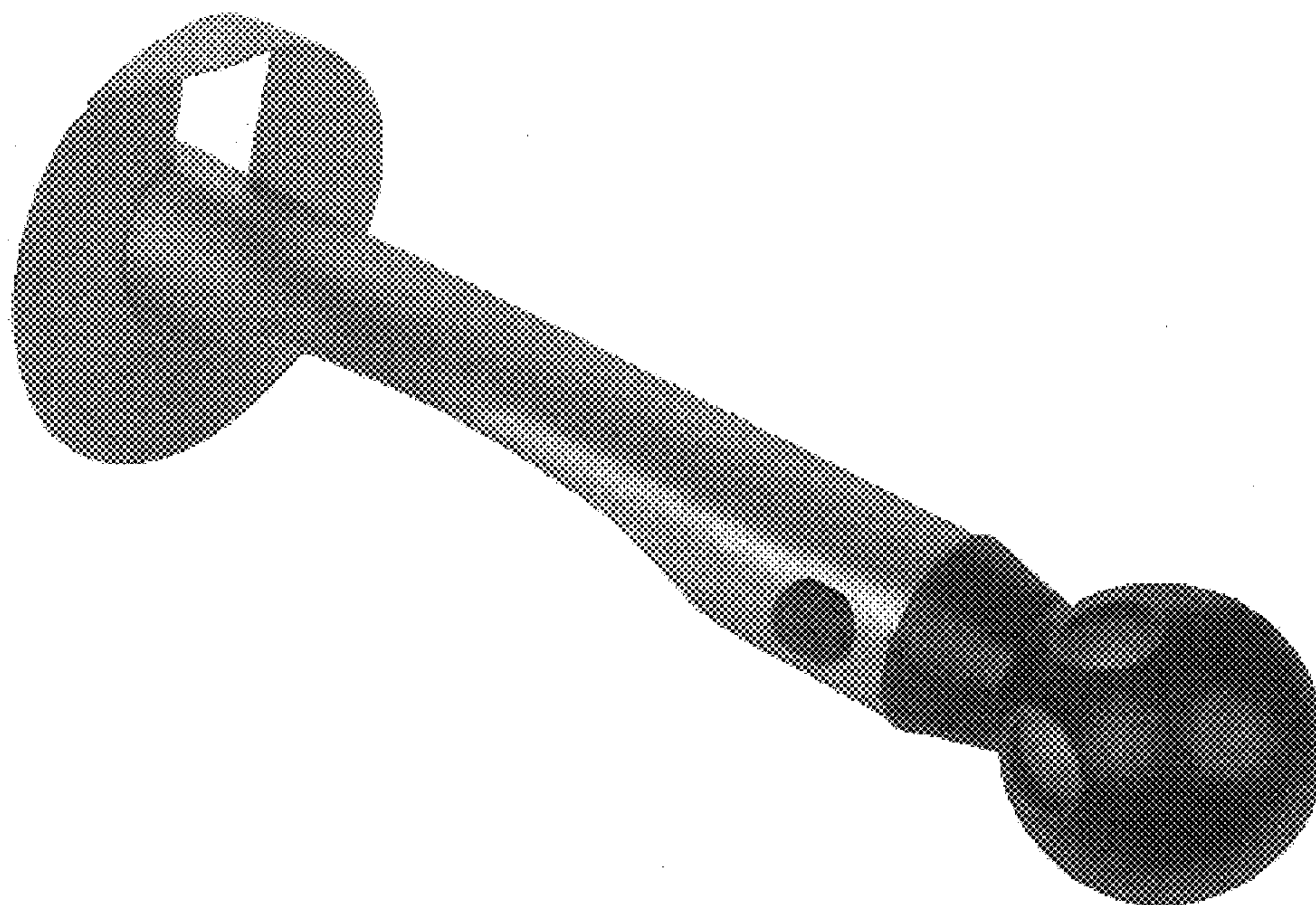


FIG. 4

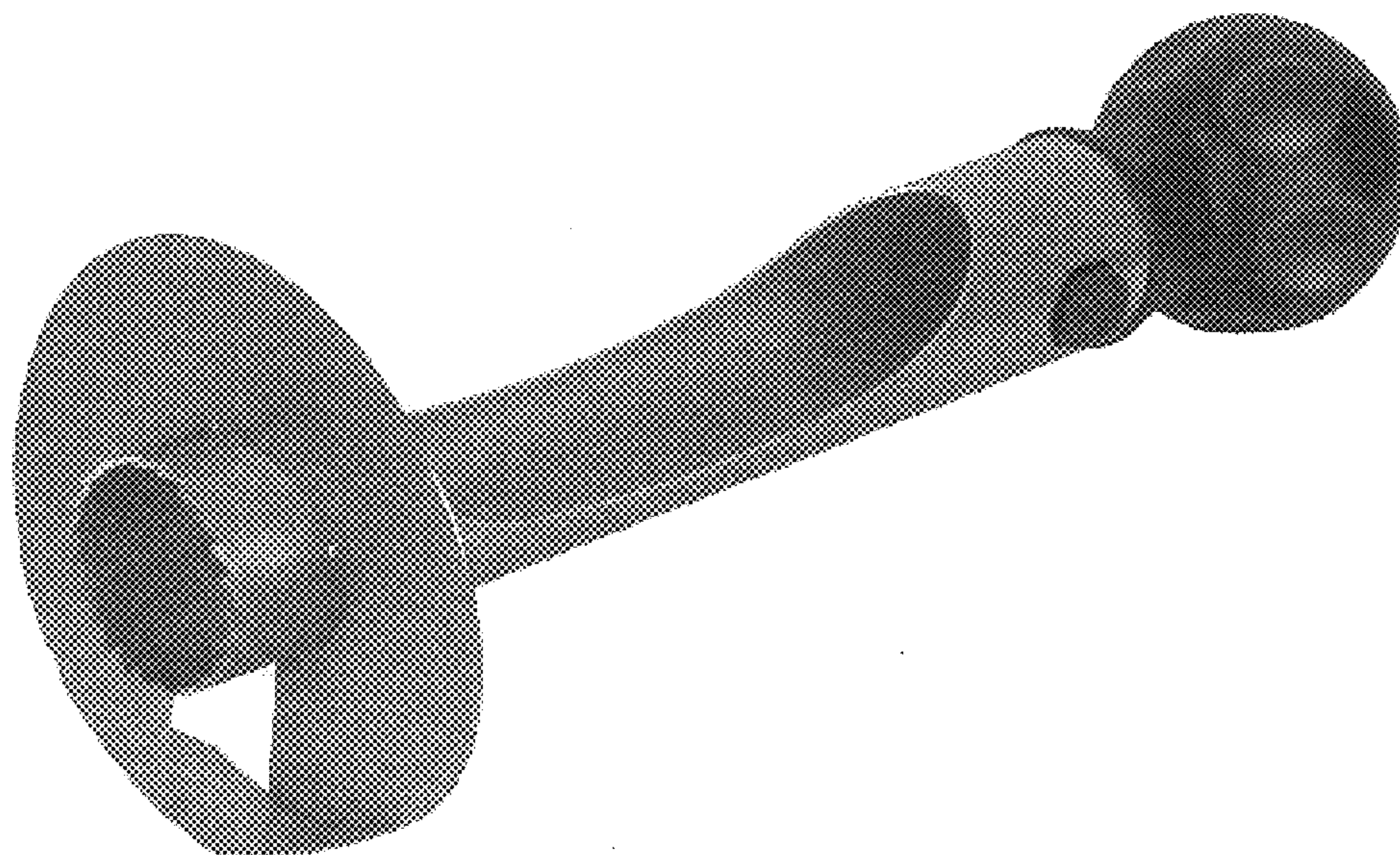


FIG. 5

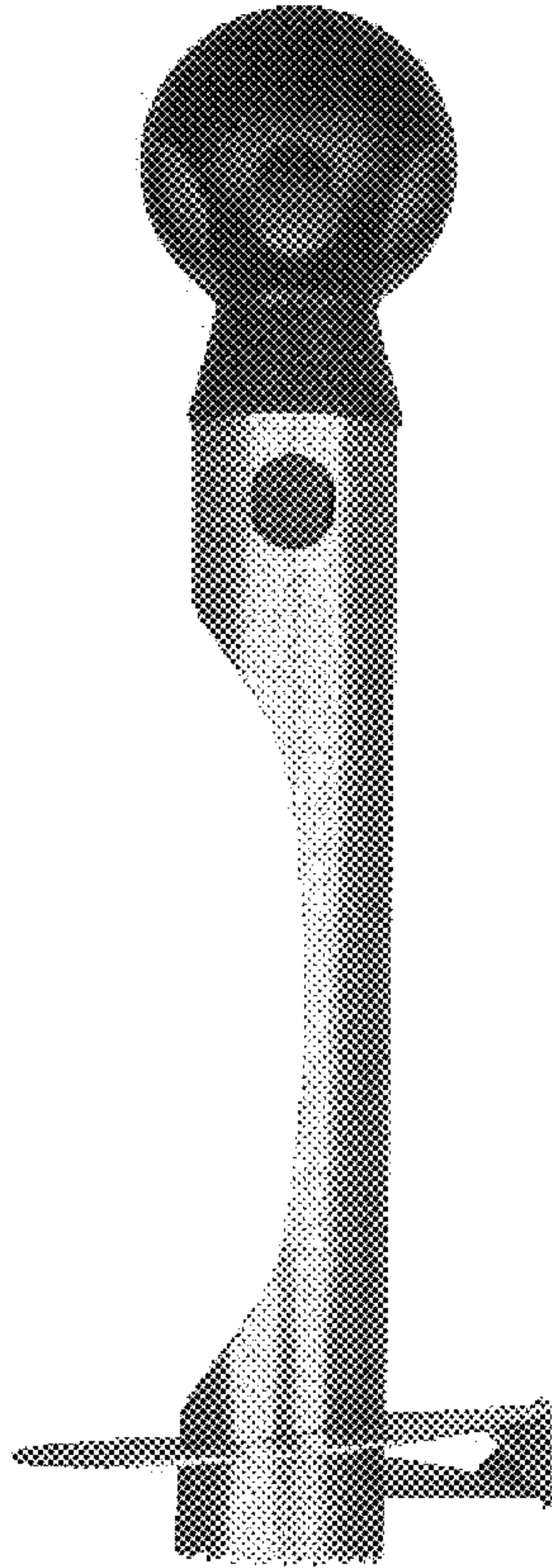


FIG. 6

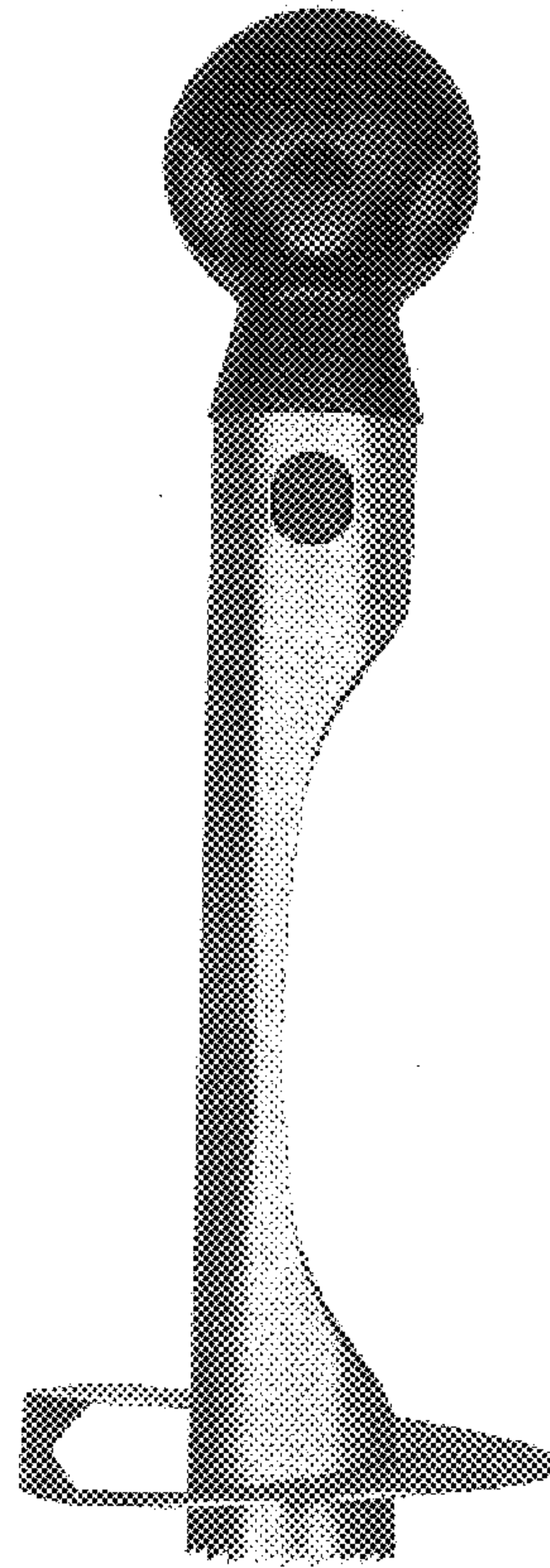


FIG. 7

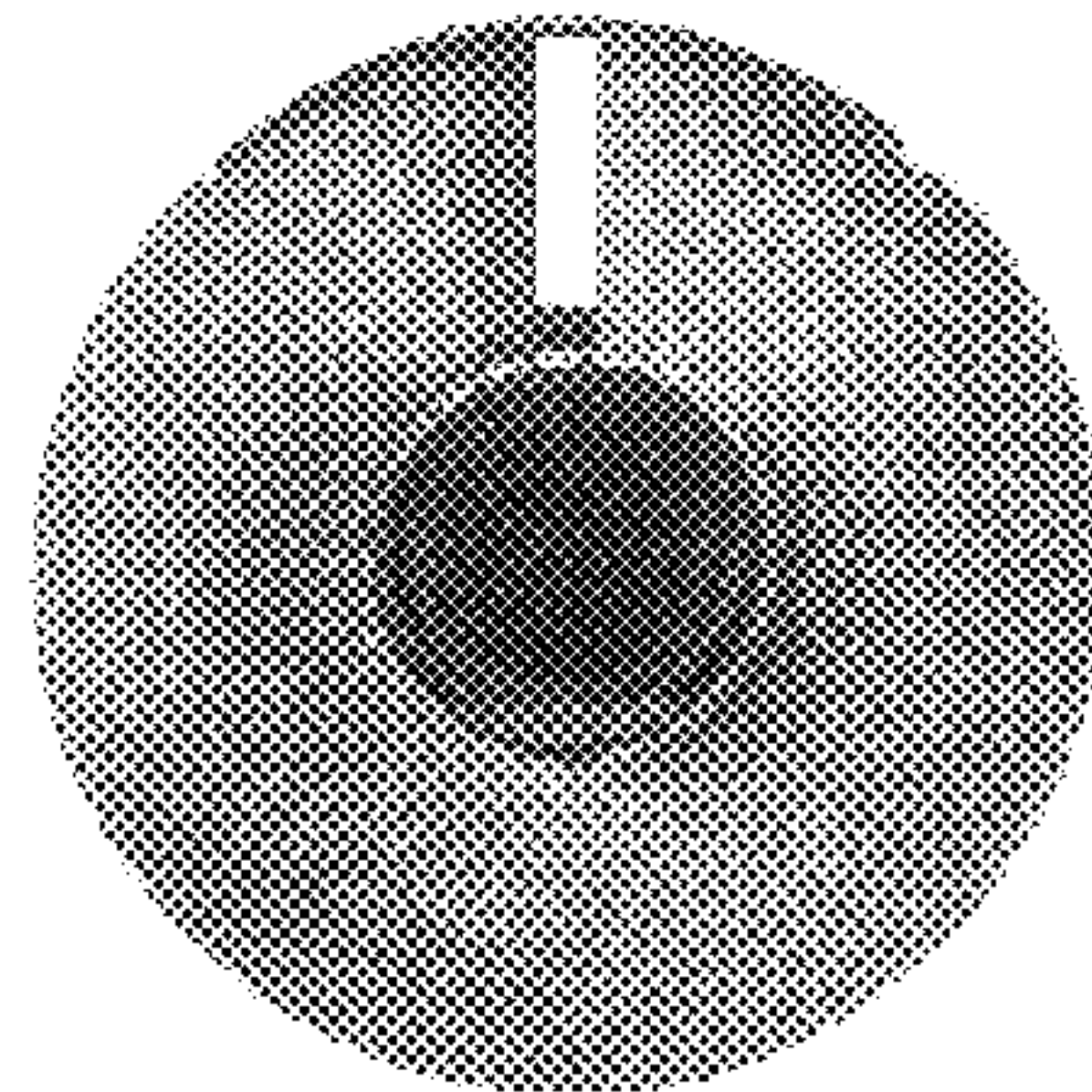


FIG. 8



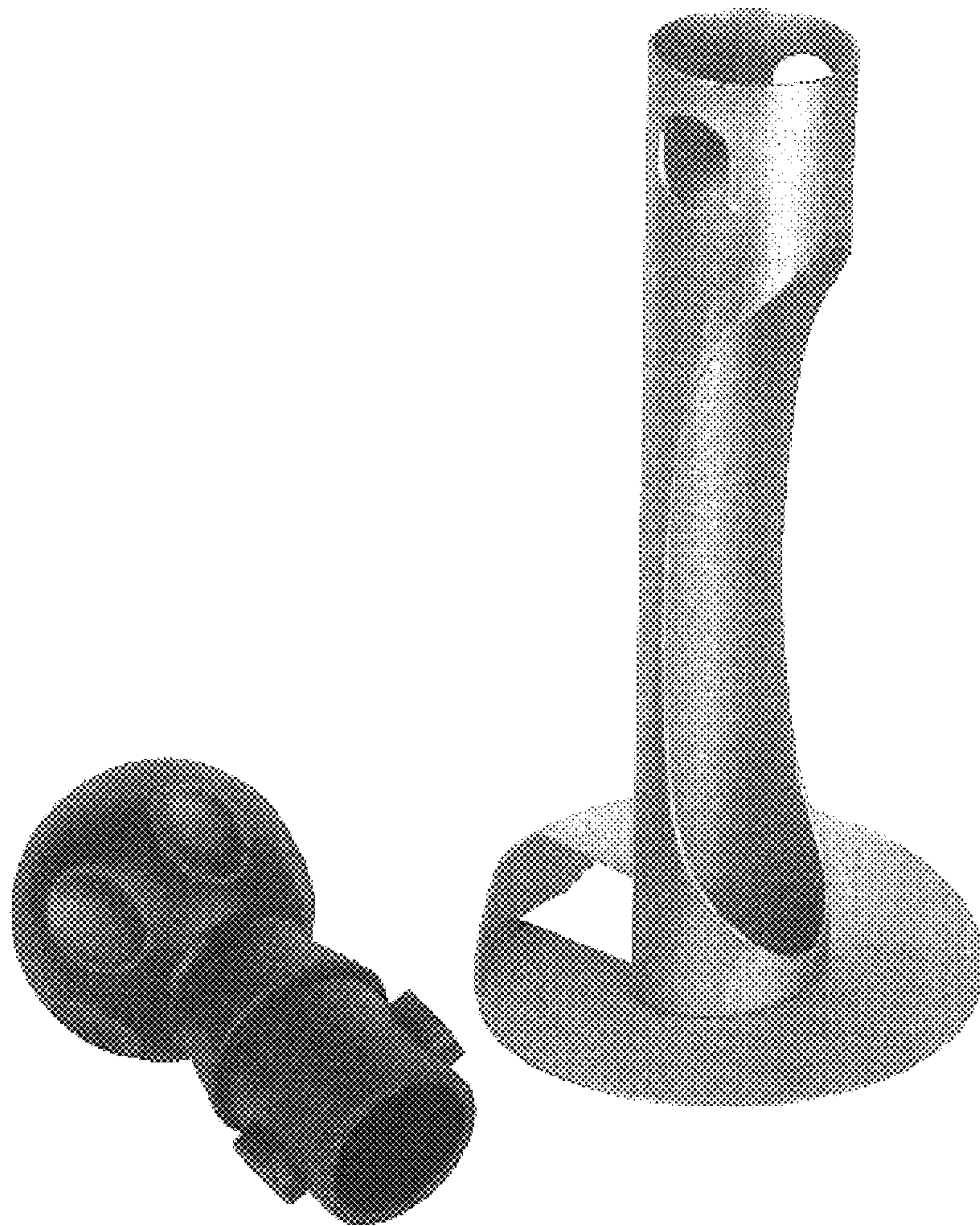


FIG. 9