



US00D518999S

(12) **United States Design Patent**
Laib

(10) **Patent No.:** **US D518,999 S**

(45) **Date of Patent:** **** Apr. 18, 2006**

(54) **TEA CUP**

(75) Inventor: **Douglas M. Laib**, Orlando, FL (US)

(73) Assignee: **Dart Industries Inc.**, Orlando, FL (US)

(**) Term: **14 Years**

(21) Appl. No.: **29/192,762**

(22) Filed: **Oct. 29, 2003**

(51) **LOC (8) Cl.** **07-01**

(52) **U.S. Cl.** **D7/536; D7/533**

(58) **Field of Classification Search** D7/507,
D7/509, 536, 533, 532, 531, 510, 511, 523,
D7/396.6, 521, 394; D9/520; D11/152; 215/12.2,
215/396, 10, 398; 126/246, 400; 229/400,
229/402; 206/519; 220/669, 713, 719, 710.5,
220/560, 715; 248/346.1
See application file for complete search history.

(56) **References Cited**

U.S. PATENT DOCUMENTS

D166,014 S	*	2/1952	Wright	D7/536
D167,917 S	*	10/1952	Wagner	D7/536
2,770,956 A	*	9/1956	Achtziger	215/10
D184,518 S	*	3/1959	Folley	D7/536
2,876,634 A	*	3/1959	Zimmerman	62/457.31
D186,037 S		9/1959	Stageberg		
D212,110 S	*	8/1968	Ketcham	D7/533
D213,460 S		3/1969	Beckman et al.		
D224,623 S	*	8/1972	Ketcham et al.	D7/536
D288,270 S	*	2/1987	Winterling	D7/536
D313,921 S	*	1/1991	Unger	D7/509

D317,696 S	*	6/1991	Lage	D7/536
D320,139 S		9/1991	Wonder		
D320,718 S	*	10/1991	Unger	D7/536
D406,012 S	*	2/1999	Indeuku	D7/536
D409,879 S		5/1999	Cornelissen	D7/536
D420,551 S	*	2/2000	Cornelissen	D7/536
D441,610 S	*	5/2001	Indeuku	D7/536
D445,646 S	*	7/2001	Indeuku	D7/536
D459,948 S	*	7/2002	Cote et al.	D7/536
D462,579 S	*	9/2002	Janky	D7/536
D463,954 S	*	10/2002	Wellner	D7/536
D464,234 S	*	10/2002	Miller	D7/536
D470,015 S		2/2003	Kortleven et al.	D7/536
D482,239 S	*	11/2003	Bodum	D7/536
D488,028 S	*	4/2004	Janky et al.	D7/536

* cited by examiner

Primary Examiner—M. N. Pandozzi

(74) *Attorney, Agent, or Firm*—John A. Doninger

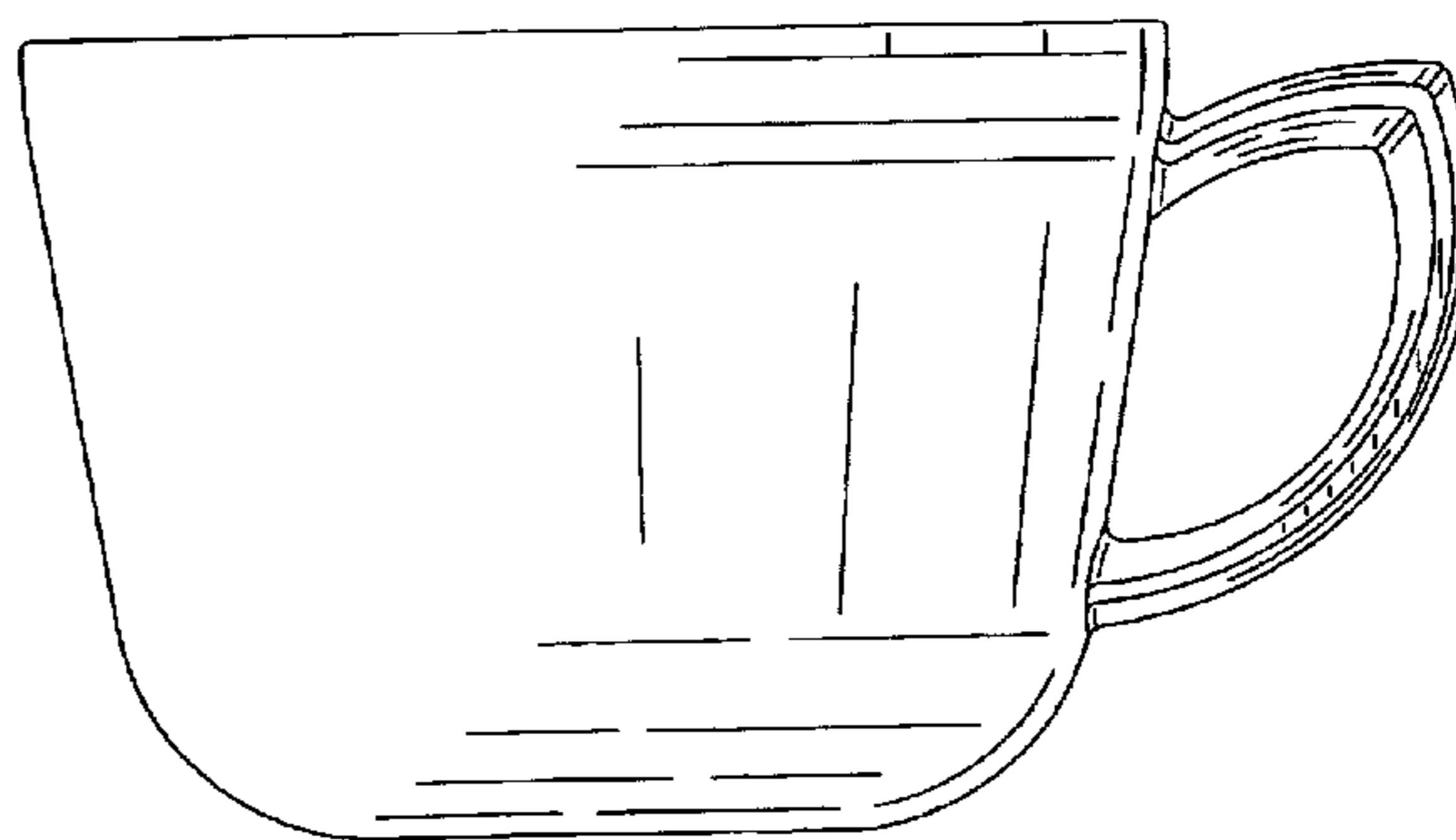
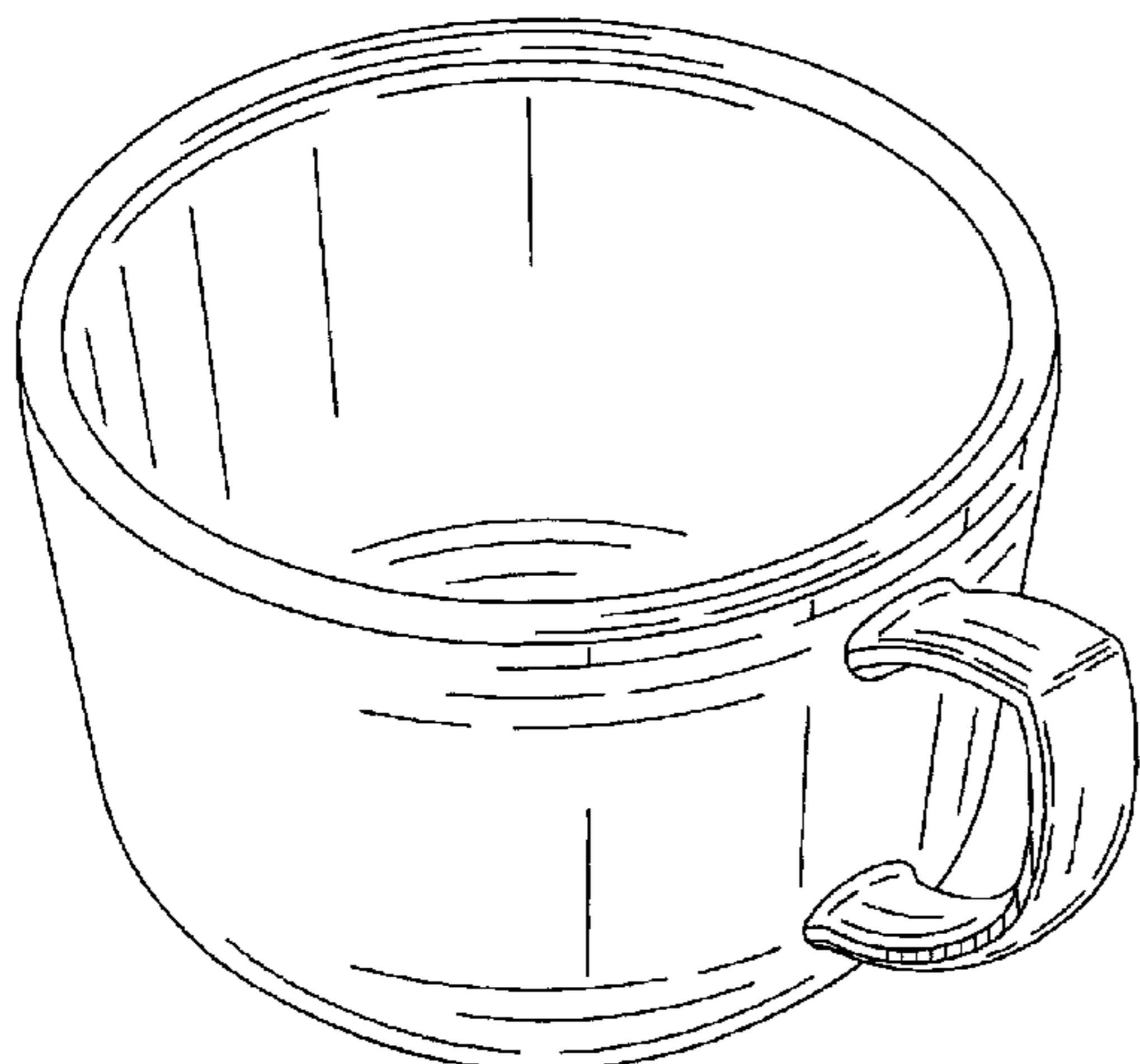
(57) **CLAIM**

The ornamental design for a tea cup, as shown and described.

DESCRIPTION

FIG. 1 is a top, side and front perspective view of a tea cup showing the new design;
FIG. 2 is a right side elevation view thereof, the left side elevation view being a mirror image thereof;
FIG. 3 is a rear elevation view thereof;
FIG. 4 is a front elevation view thereof;
FIG. 5 is a top plan view thereof; and,
FIG. 6 is a bottom plan view thereof.

1 Claim, 3 Drawing Sheets



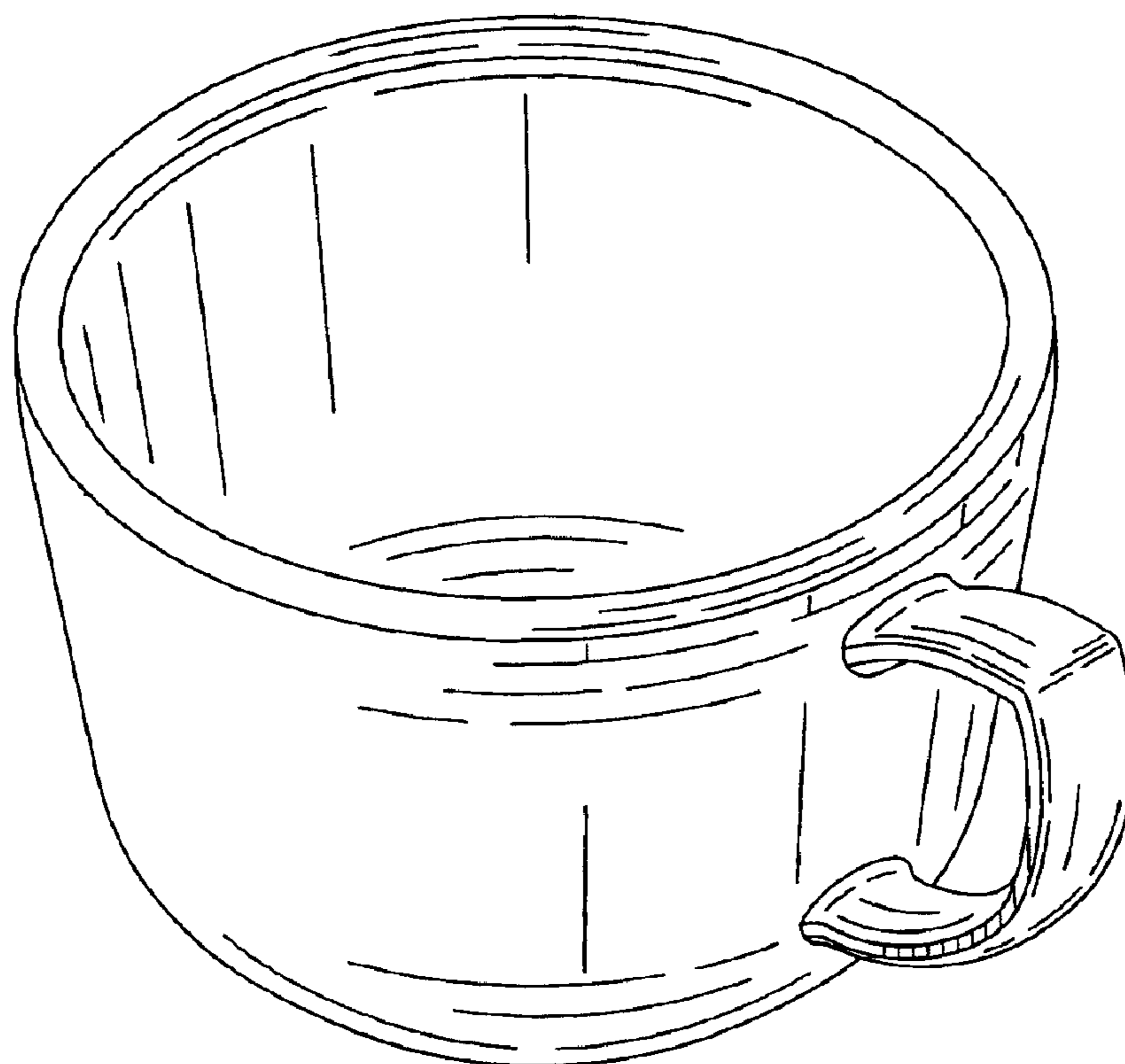


FIG. 1

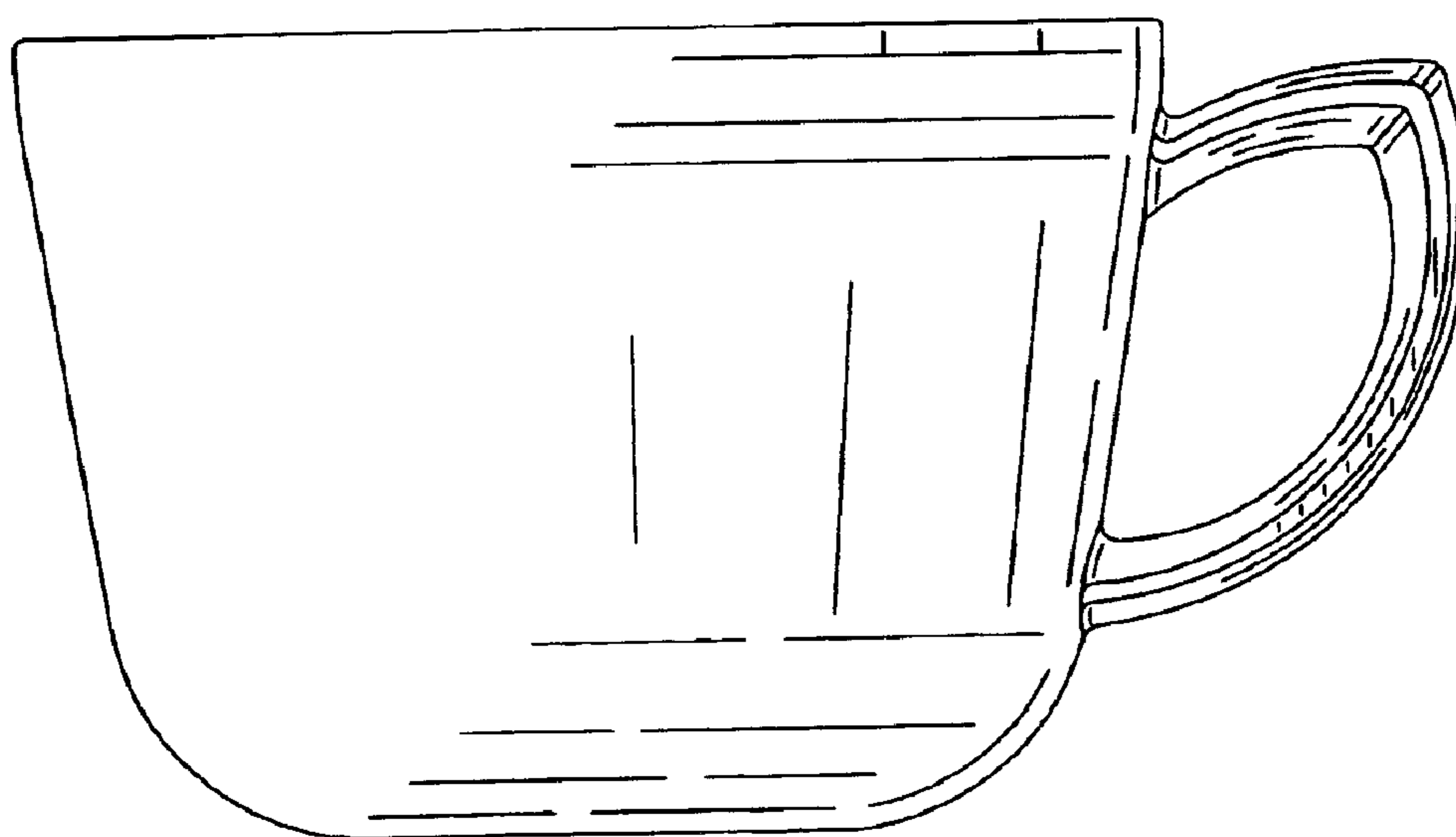


FIG. 2

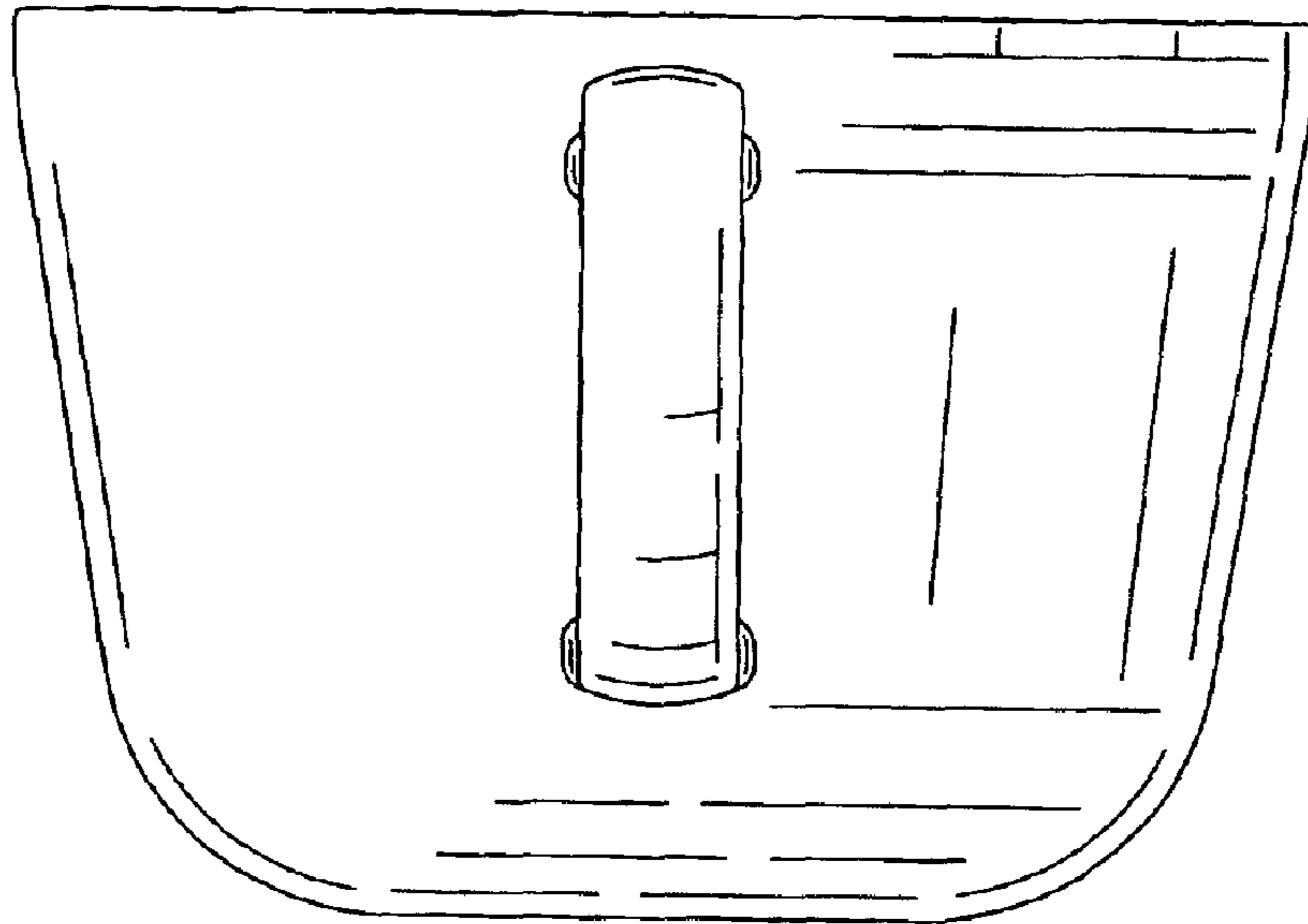


FIG. 3

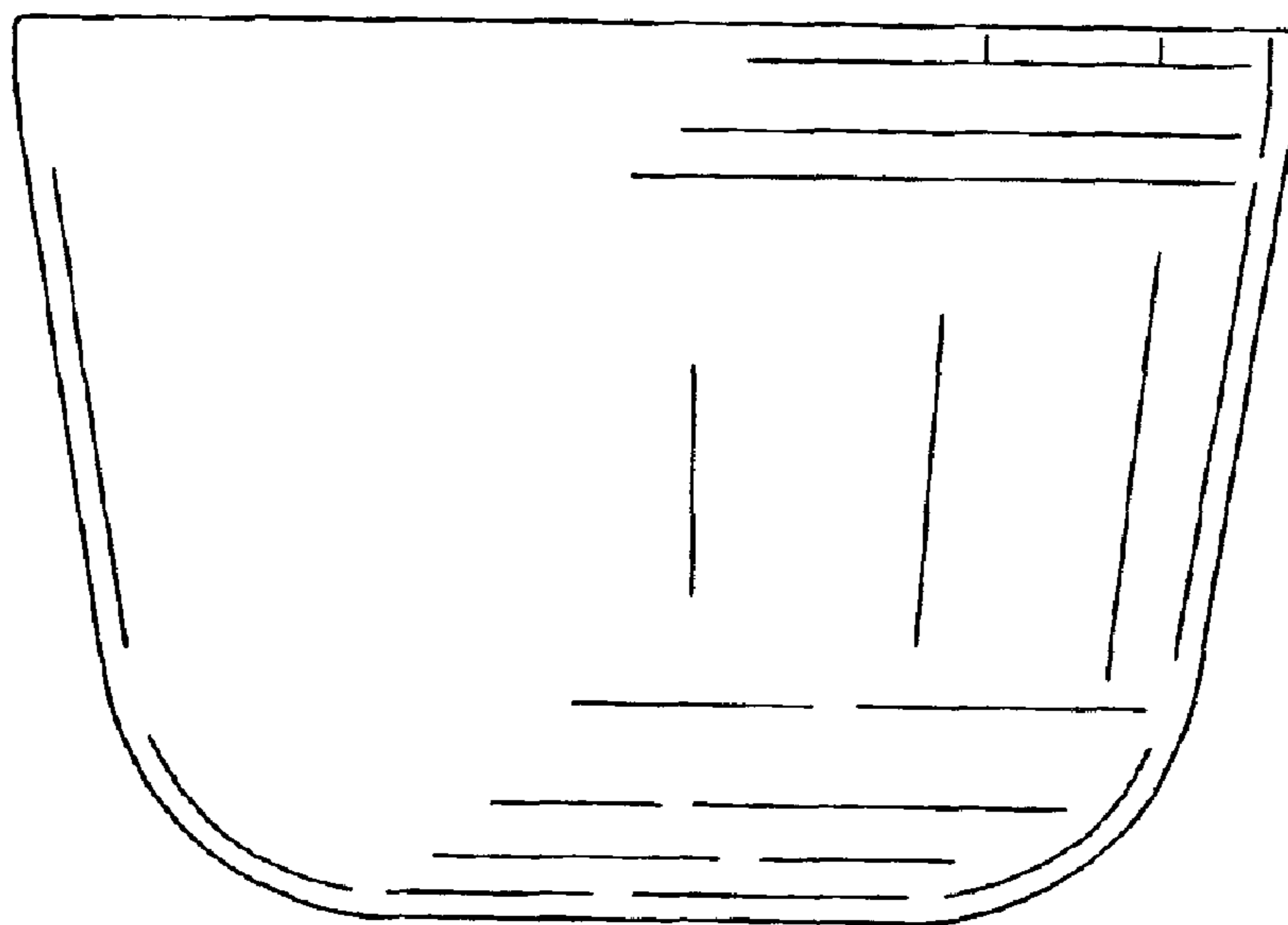


FIG. 4

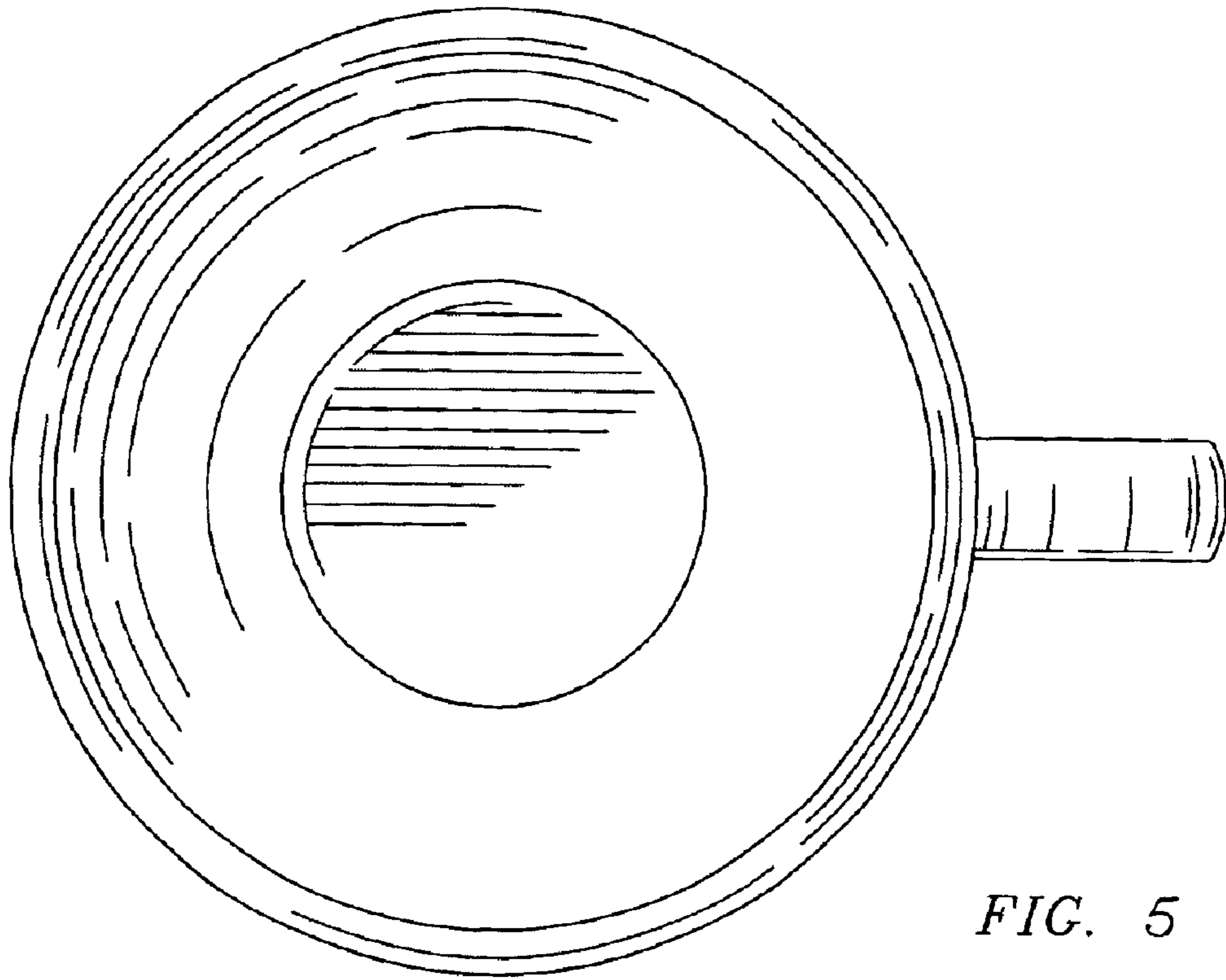


FIG. 5

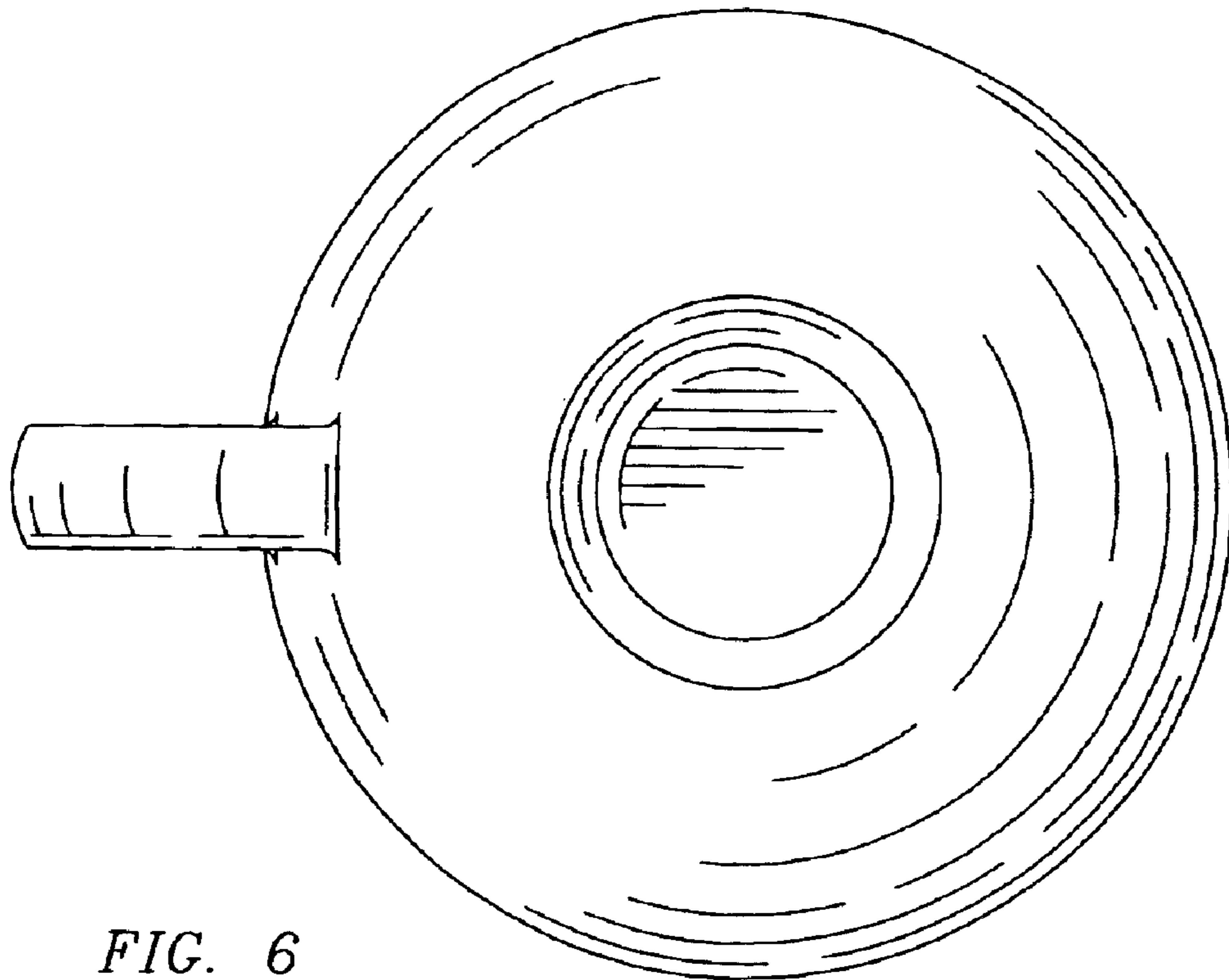


FIG. 6