



US00D518992S

(12) **United States Design Patent**
Howard

(10) **Patent No.:** **US D518,992 S**

(45) **Date of Patent:** **** Apr. 18, 2006**

(54) **TORTILLA MAKER**

(75) Inventor: **Wrex A. Howard**, Chico, CA (US)

(73) Assignee: **Wrex Products, Inc.**, Chico, CA (US)

(**) Term: **14 Years**

(21) Appl. No.: **29/216,514**

(22) Filed: **Nov. 3, 2004**

(51) **LOC (8) Cl.** **07-02**

(52) **U.S. Cl.** **D7/352**

(58) **Field of Classification Search** D7/323,
D7/328-332, 334-339, 352-363; 99/425,
99/444, 466, 219, 618, 620, 601, 386, 385,
99/369, 331, 339, 349, 372, 389, 446; 219/620-622;
222/33; 415/232

See application file for complete search history.

(56) **References Cited**

U.S. PATENT DOCUMENTS

- 2,020,349 A * 11/1935 Bennett et al. 220/4.21
- 2,463,439 A * 3/1949 Strietelmeier 99/375
- D157,694 S * 3/1950 Morris D7/352
- 2,582,692 A * 1/1952 Funke 99/381
- 3,358,586 A * 12/1967 Thorngren, Sr. 99/402

- D210,143 S * 2/1968 Skinner D7/674
- D233,302 S * 10/1974 Trovinger D7/352
- D312,187 S * 11/1990 Khubani D7/352
- D326,592 S * 6/1992 Denton D7/674

* cited by examiner

Primary Examiner—Caron D. Veynar

Assistant Examiner—Ricky Pham

(74) *Attorney, Agent, or Firm*—Heisler & Associates

(57) **CLAIM**

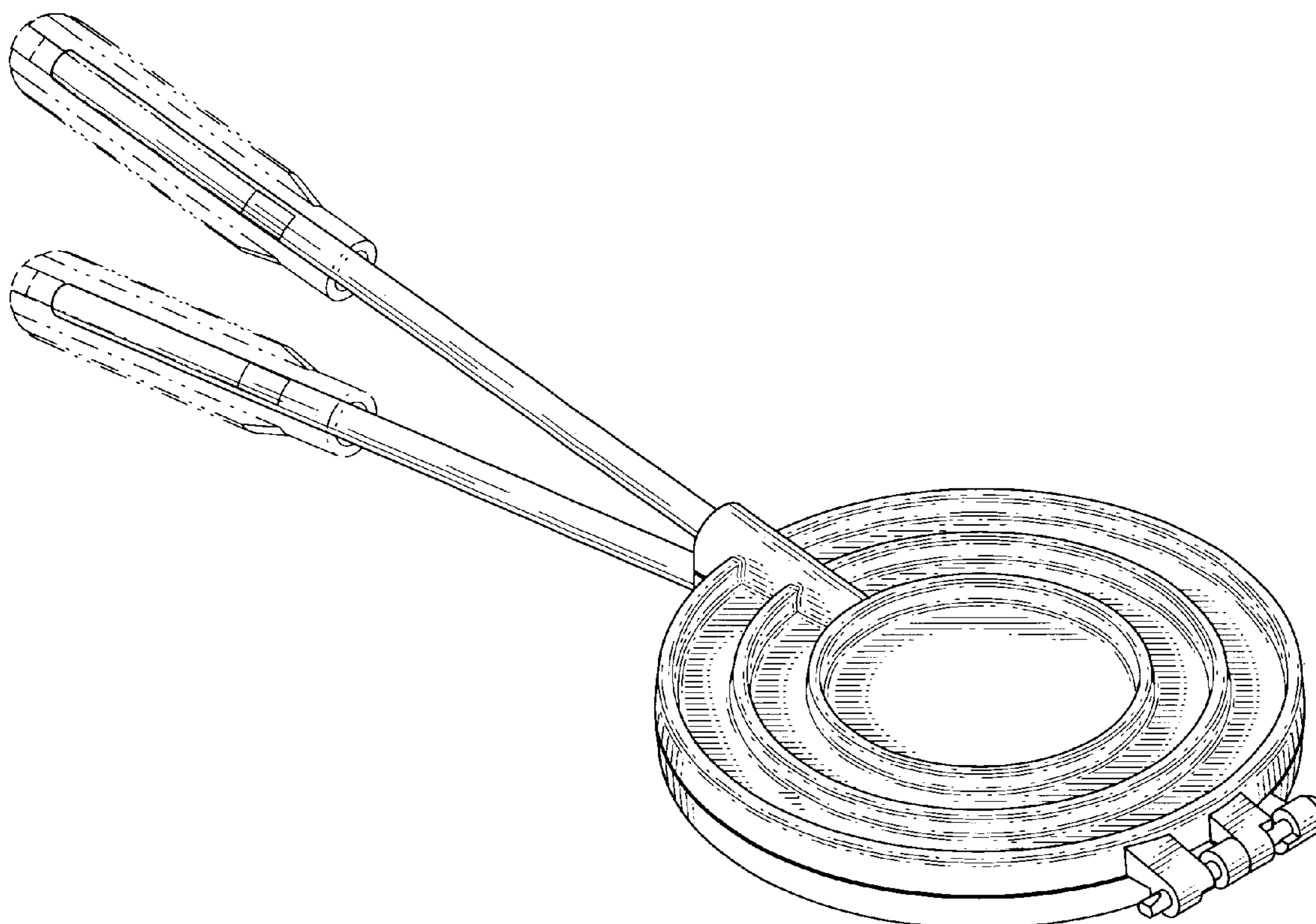
The ornamental design for a tortilla maker, as shown and described.

DESCRIPTION

FIG. 1 is a perspective view of the tortilla maker;
 FIG. 2 is a rear elevation view of the invention;
 FIG. 3 is a front elevation view of the invention;
 FIG. 4 is a top plan view of the invention, the bottom plan view being a mirror image;
 FIG. 5 is a left side view of the invention, the right side view being a mirror image; and,
 FIG. 6 is a perspective view of the invention in an open configuration.

The broken lines in FIGS. 1-6 are for purposes of illustration only and form no part of the claimed design.

1 Claim, 3 Drawing Sheets



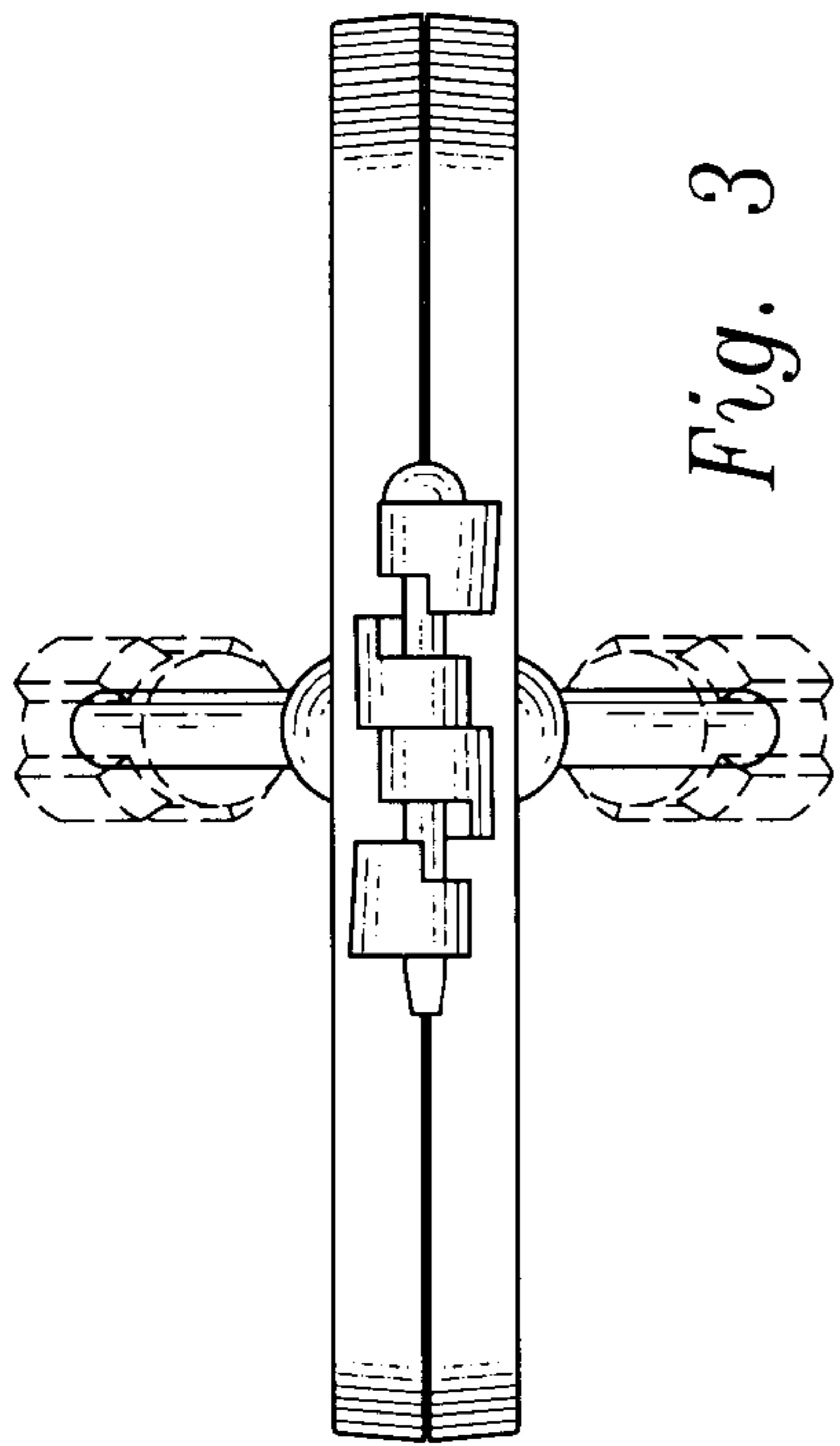


Fig. 3

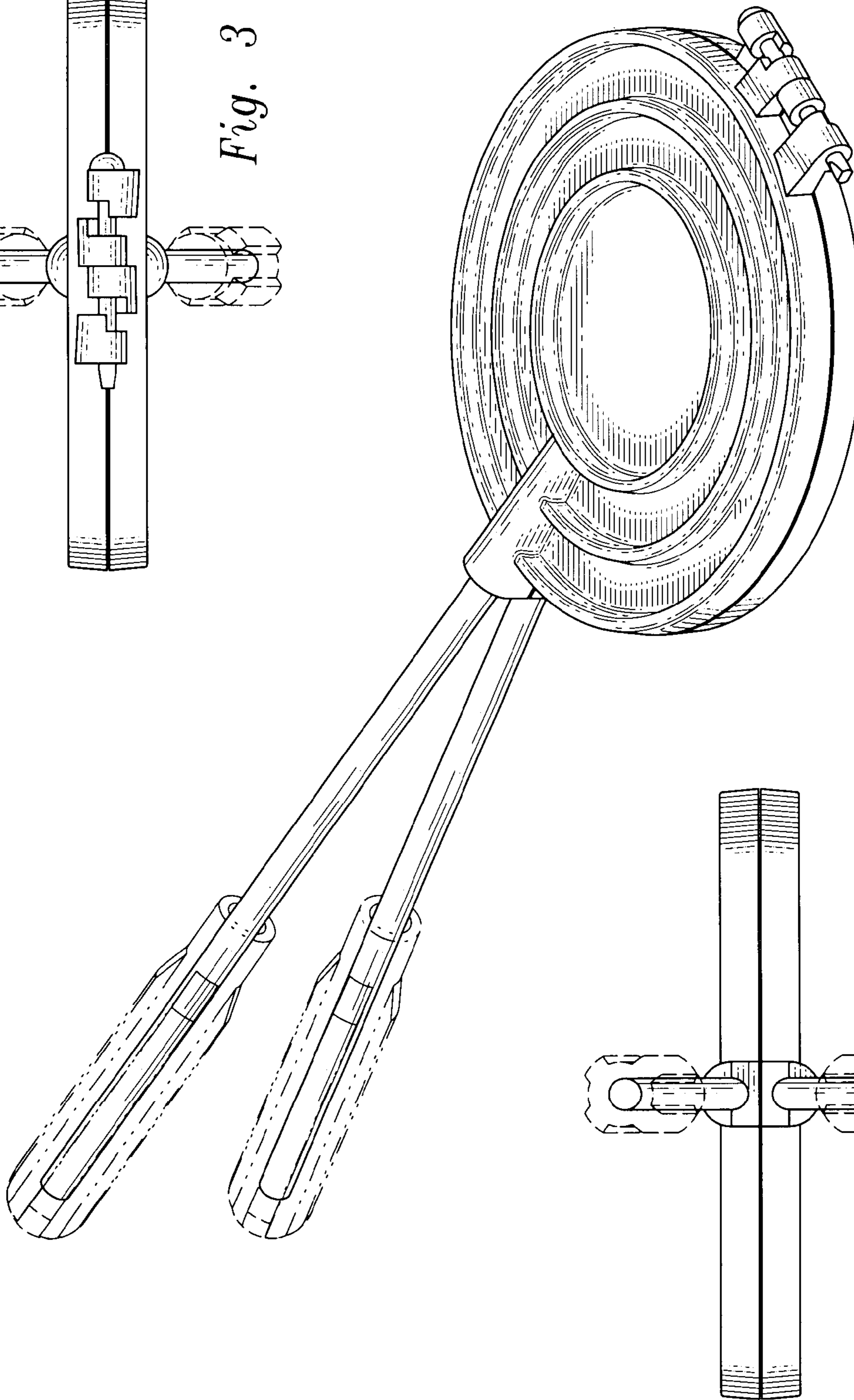


Fig. 1

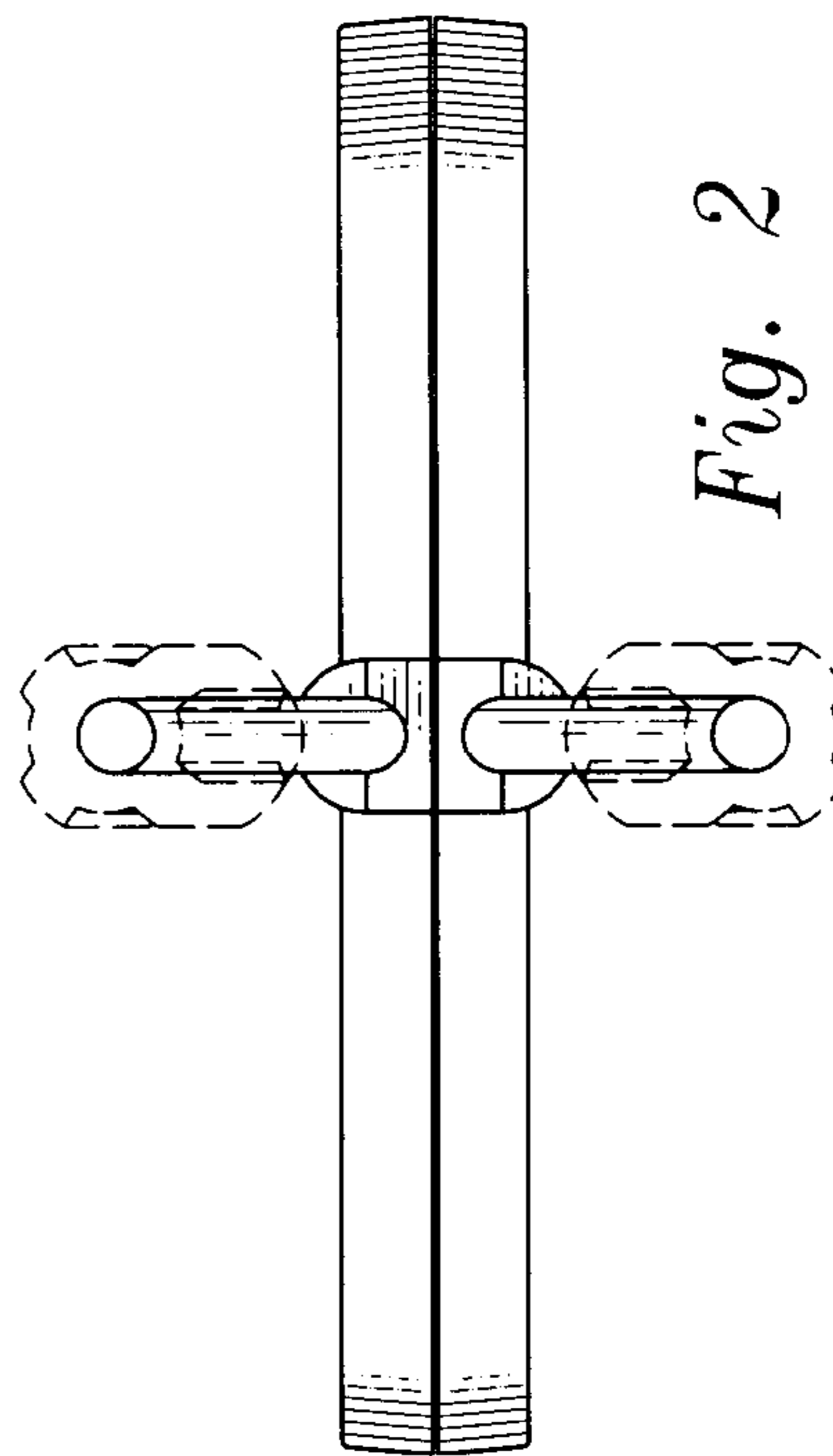


Fig. 2

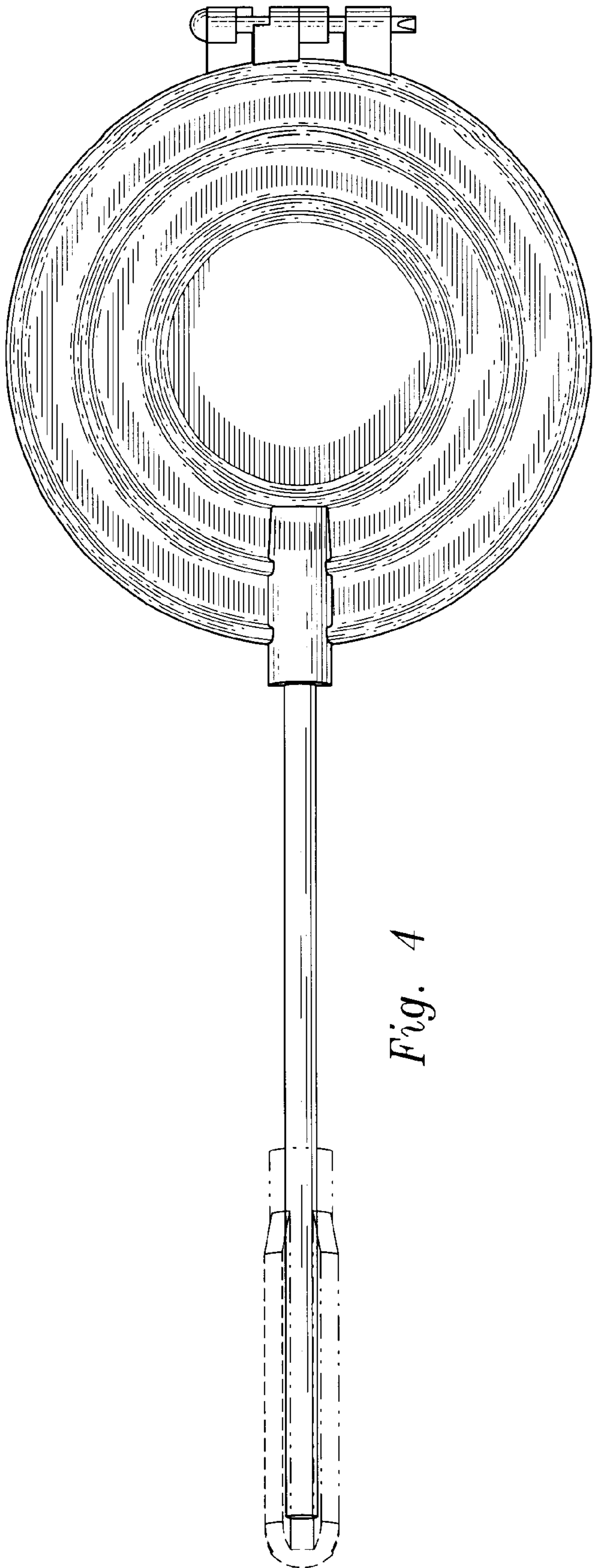


Fig. 4

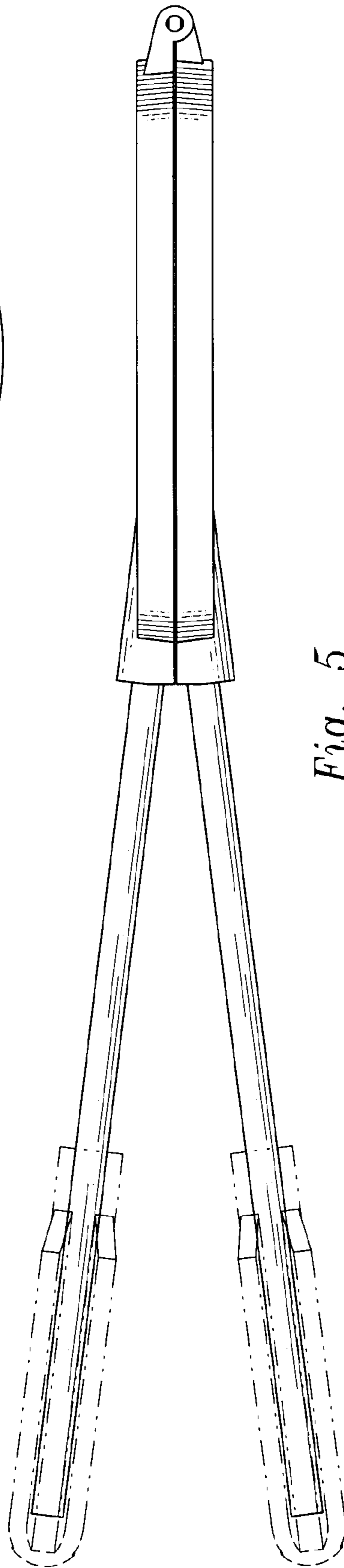


Fig. 5

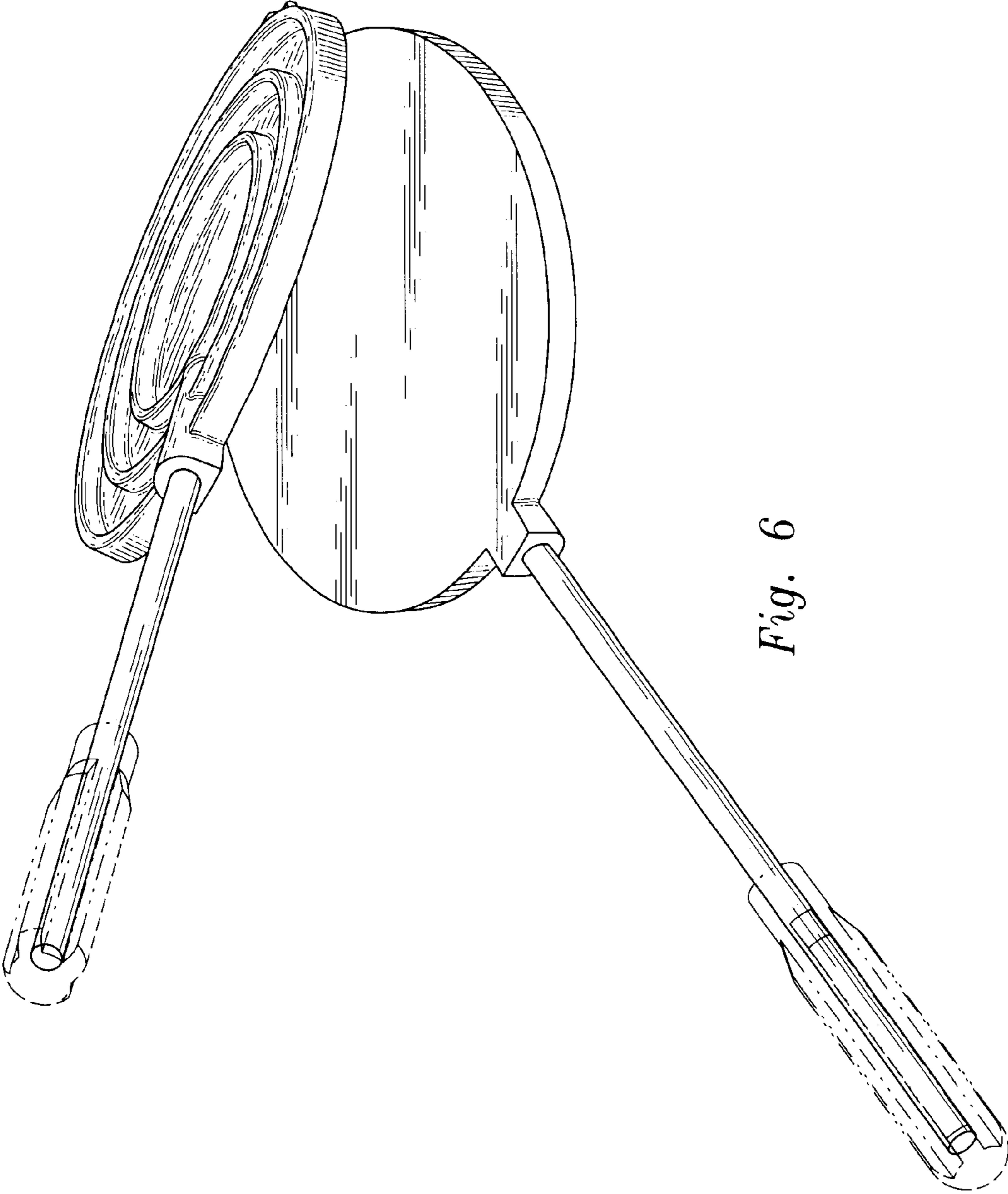


Fig. 6