

US00D518991S

(12) **United States Design Patent**
Babkes

(10) **Patent No.:** **US D518,991 S**

(45) **Date of Patent:** **** Apr. 18, 2006**

(54) **OVEN INSERT**

(75) **Inventor:** **Mitchell H. Babkes**, Saugus, CA (US)

(73) **Assignee:** **Sylmark Holdings Limited** (IE)

(**) **Term:** **14 Years**

(21) **Appl. No.:** **29/200,822**

(22) **Filed:** **Mar. 3, 2004**

(30) **Foreign Application Priority Data**

Sep. 4, 2003 (CN) 03340279

(51) **LOC (8) Cl.** **07-02**

(52) **U.S. Cl.** **D7/348**

(58) **Field of Classification Search** D7/332-363;
126/25 R, 25 A, 97; 99/450, 426
See application file for complete search history.

(56) **References Cited**

U.S. PATENT DOCUMENTS

D288,519 S * 3/1987 Taylor D7/348

D377,292 S * 1/1997 Henrici D7/348
D427,843 S 7/2000 Van Over D7/362
6,101,930 A 8/2000 Van Over 99/426

* cited by examiner

Primary Examiner—Catherine R. Oliver

(74) *Attorney, Agent, or Firm*—Kathy Mojibi Kavcioglu

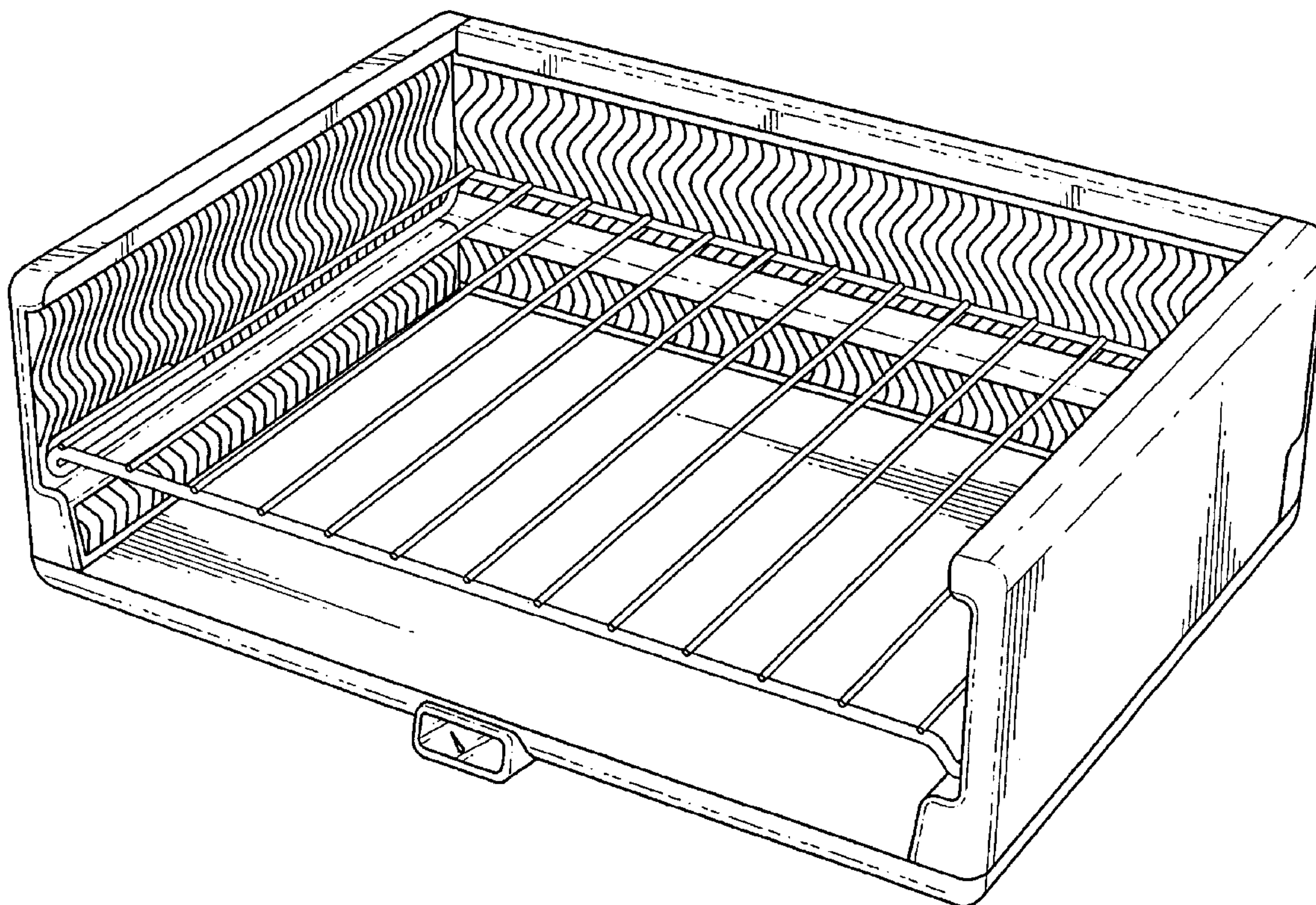
(57) **CLAIM**

I claim the ornamental design for the oven insert, as shown and described.

DESCRIPTION

FIG. 1 is a perspective view of an oven insert showing my new design in accordance with a first embodiment;
FIG. 2 is a front elevational view thereof;
FIG. 3 is a rear elevational view thereof;
FIG. 4 is a side elevational view thereof;
FIG. 5 is a top plan view thereof; and,
FIG. 6 is a bottom plan view thereof.

1 Claim, 4 Drawing Sheets



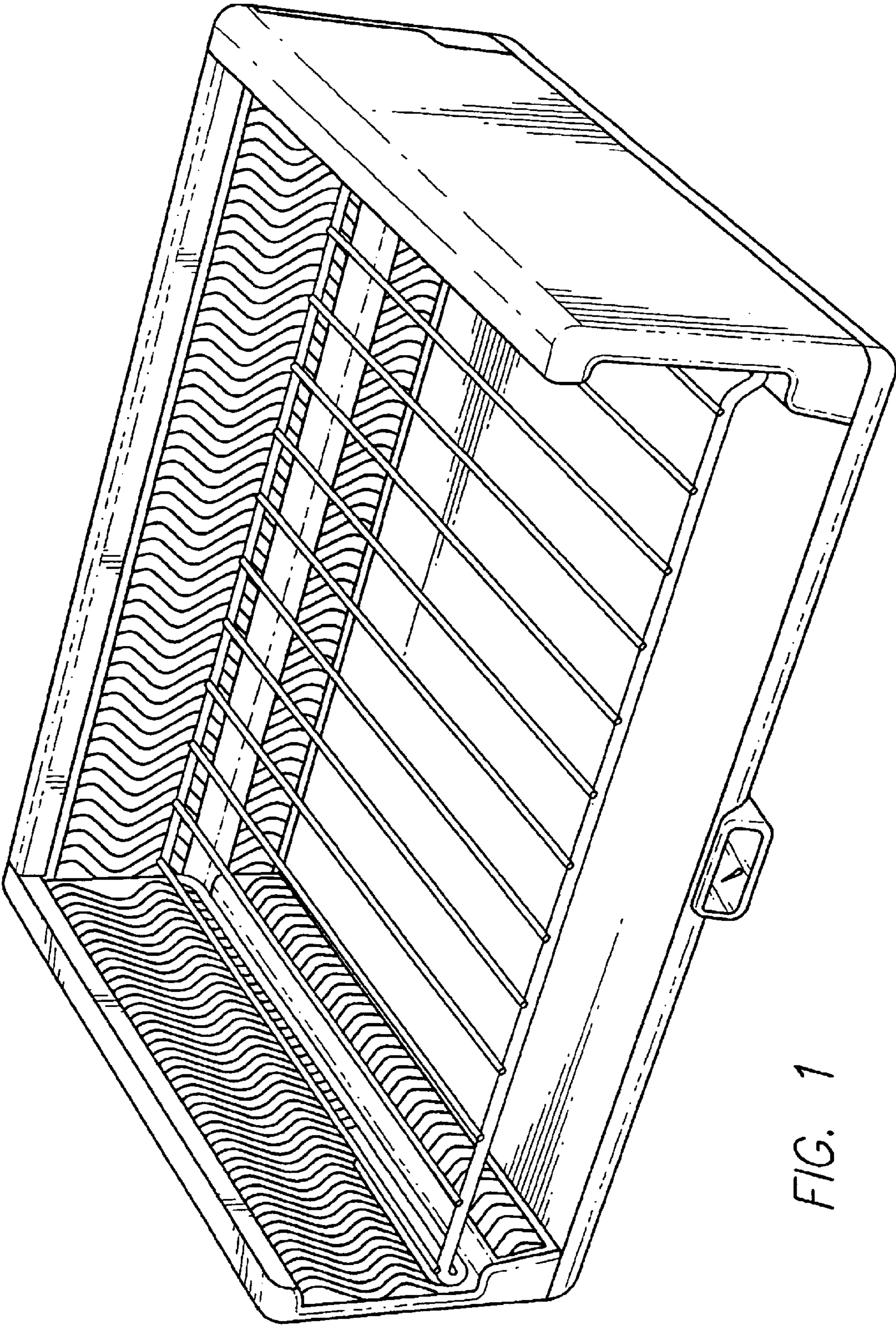


FIG. 1

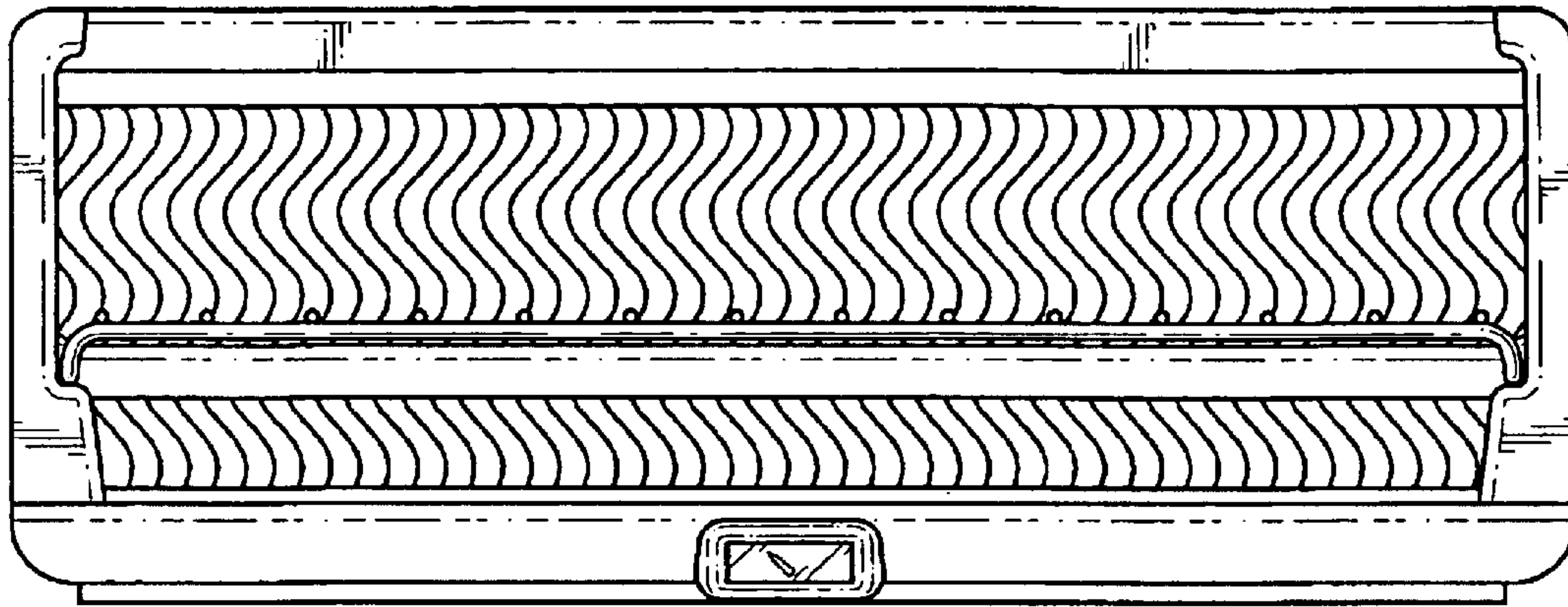


FIG. 2

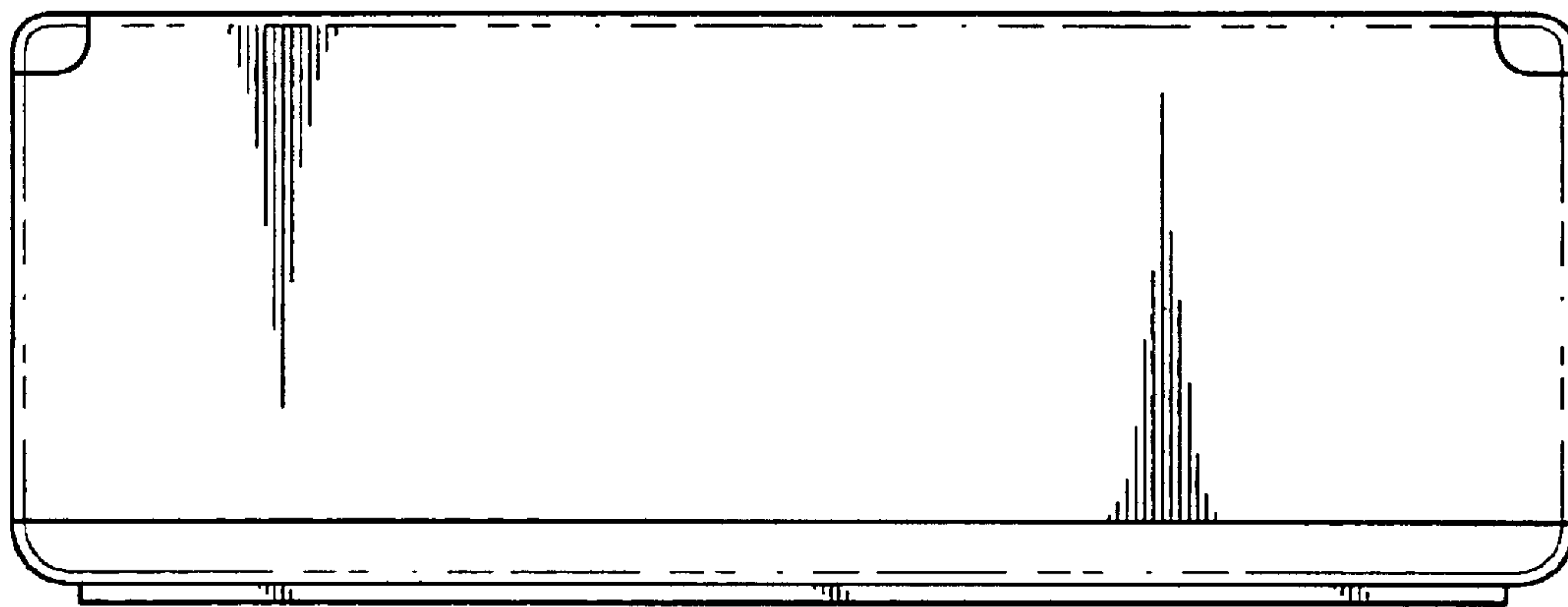


FIG. 3

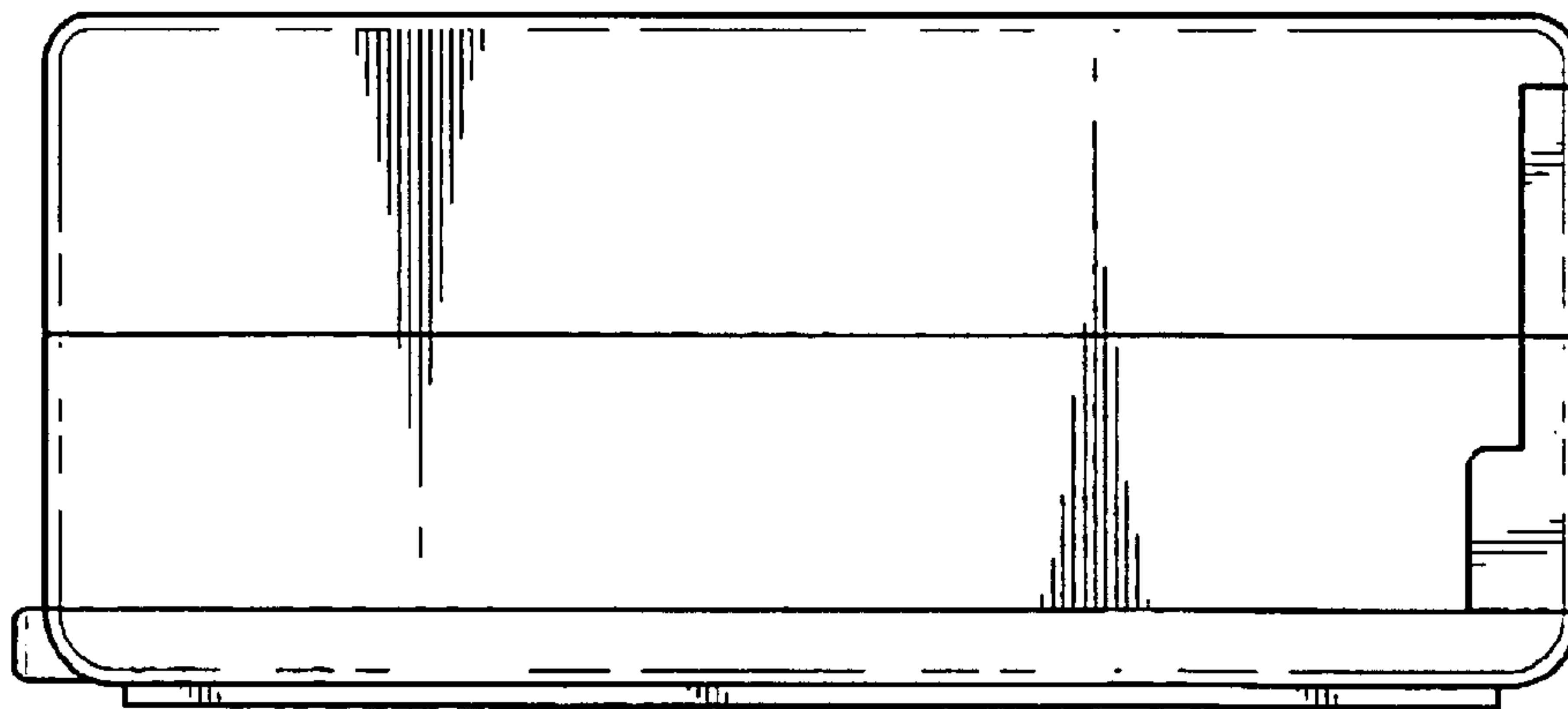


FIG. 4

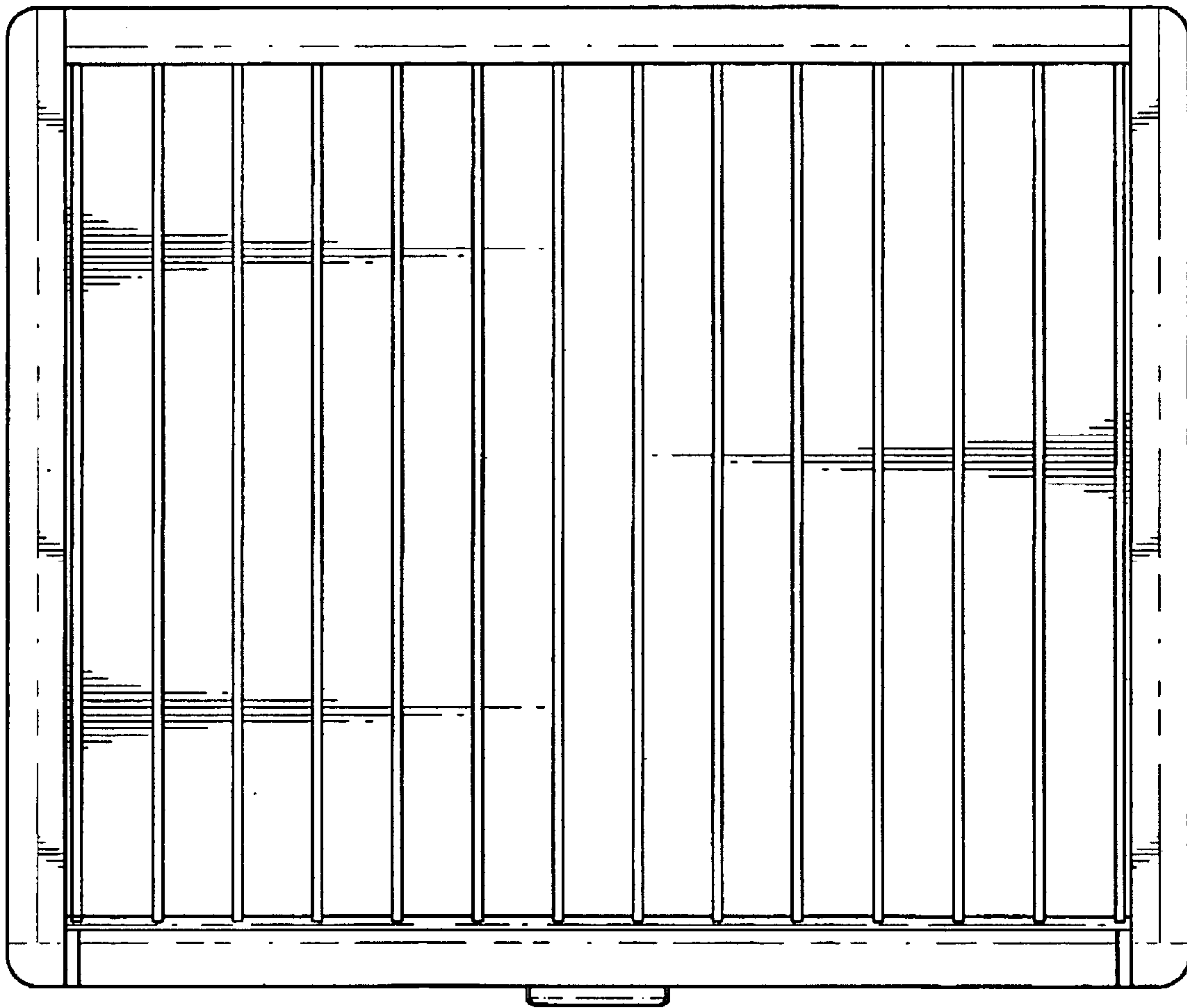


FIG. 5

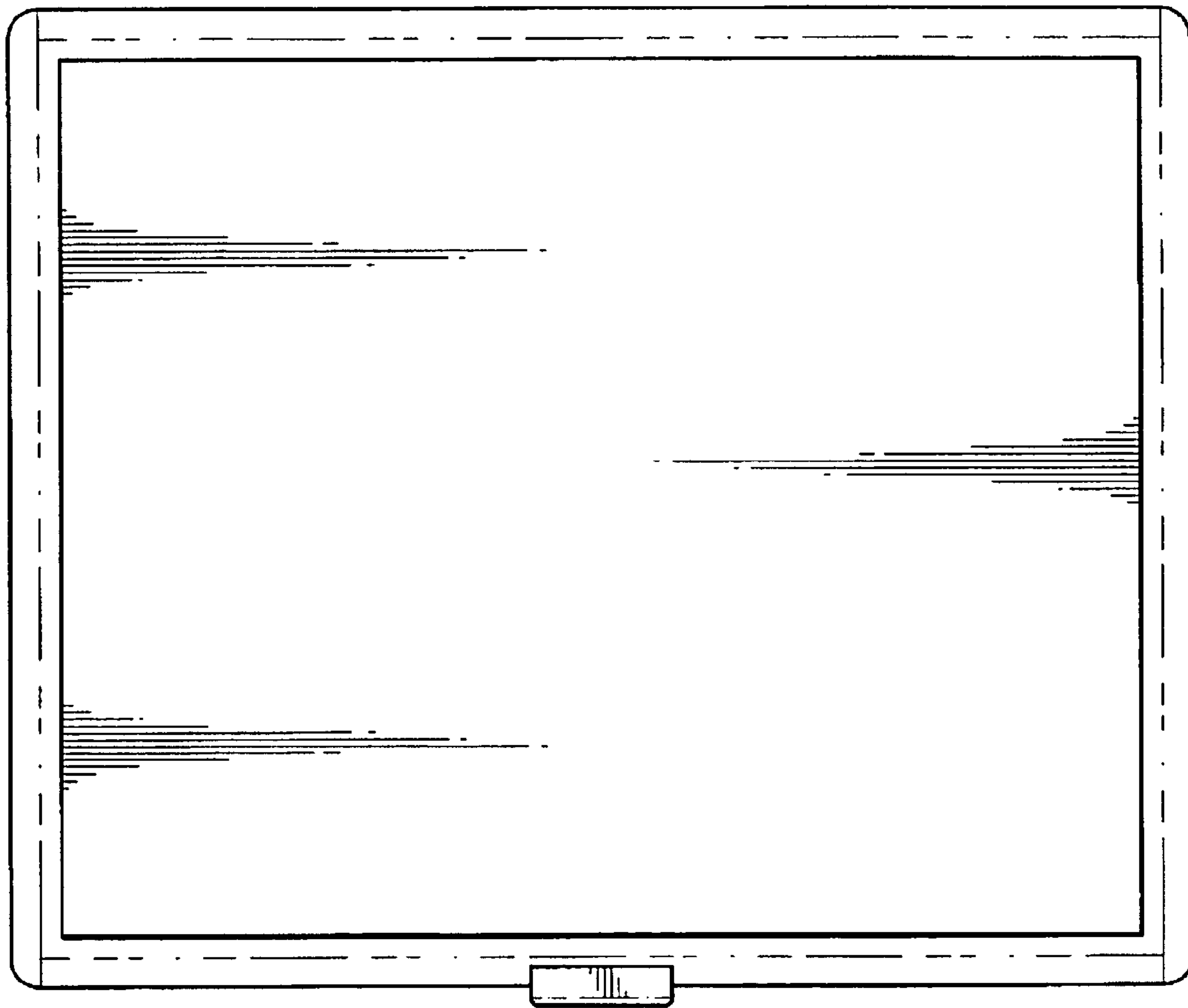


FIG. 6