



US00D518987S

(12) **United States Design Patent**
Lau et al.

(10) **Patent No.:** **US D518,987 S**
(45) **Date of Patent:** **** Apr. 18, 2006**

- (54) **BATHROOM ACCESSORY POST**
- (75) Inventors: **Honb Lau**, Taichung (TW); **Kaku Guo**, Taichung (TW)
- (73) Assignee: **Globe Union Industrial Corp.**, Taichung (TW)
- (**) Term: **14 Years**
- (21) Appl. No.: **29/209,726**
- (22) Filed: **Jul. 21, 2004**
- (51) **LOC (8) Cl.** **06-04**
- (52) **U.S. Cl.** **D6/550**
- (58) **Field of Classification Search** D6/546-550,
D6/518-523; D8/300, 303, 315-321, 349,
D8/354, 363, 373, 380; 108/28-29; 248/175,
248/176.1, 251, 302, 309.1; 16/110.1, 412,
16/415; 242/570, 590, 595-598; 211/13.1,
211/16, 60.1, 100, 86.01, 87.01, 88.01, 88.04,
211/105.1-105.2, 123, 182, 181.1
See application file for complete search history.

(56) **References Cited**
U.S. PATENT DOCUMENTS

- D394,972 S * 6/1998 Moore et al. D6/550
- D400,381 S * 11/1998 Solowiej et al. D6/550

- D422,824 S * 4/2000 Moore et al. D6/550
- D501,784 S * 2/2005 Tibbenham et al. D8/300

* cited by examiner

Primary Examiner—Brian N Vinson
(74) *Attorney, Agent, or Firm*—Troxell Law Office, PLLC

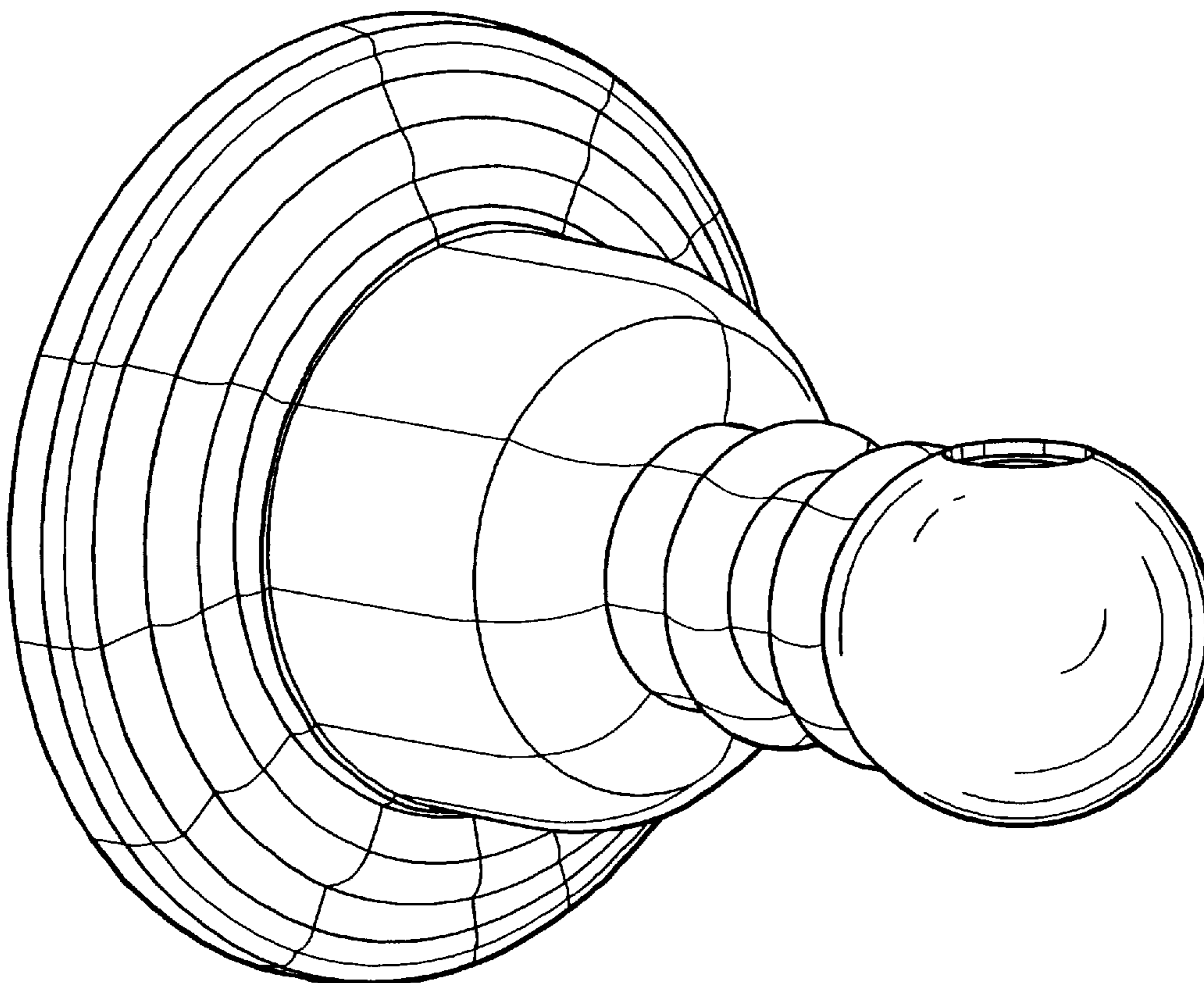
(57) **CLAIM**

The ornamental design for bathroom accessory post, as show and described.

DESCRIPTION

FIG. 1 is a perspective view of bathroom accessory post showing our new design;
 FIG. 2 is a front elevational view thereof;
 FIG. 3 is a rear elevational view thereof;
 FIG. 4 is a left side elevational view thereof;
 FIG. 5 is a right side elevational view thereof;
 FIG. 6 is a top plan view thereof;
 FIG. 7 is a bottom plan view thereof;
 FIG. 8 is an additional perspective view thereof;
 FIG. 9 is an additional reduced perspective view thereof,
 FIG. 10 is an additional reduced perspective view thereof;
 and,
 FIG. 11 is an additional perspective view thereof.
 The broken-line disclosure in the views is for illustrative purposes only and forms no part of the claimed design.

1 Claim, 8 Drawing Sheets



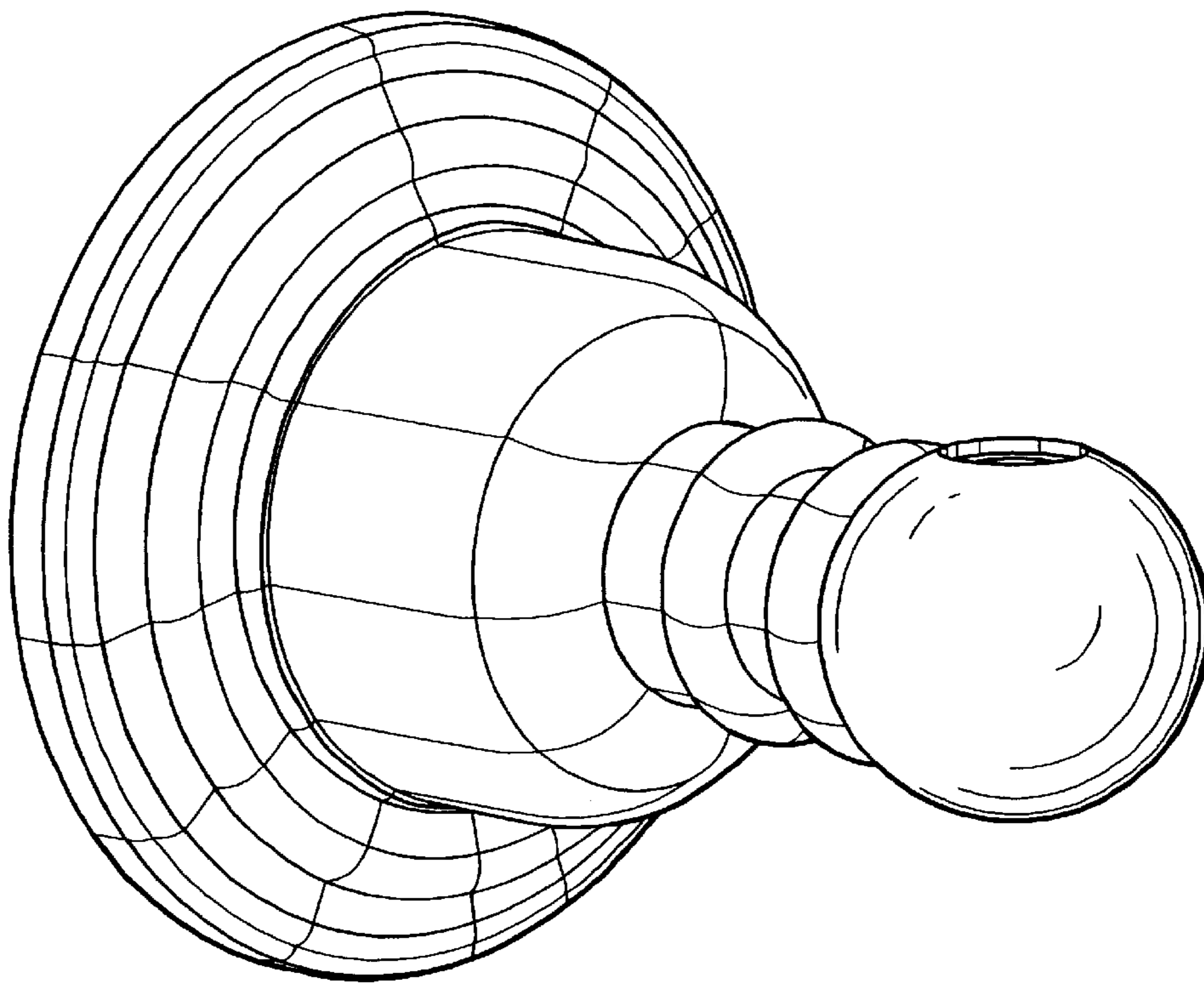


FIG. 1

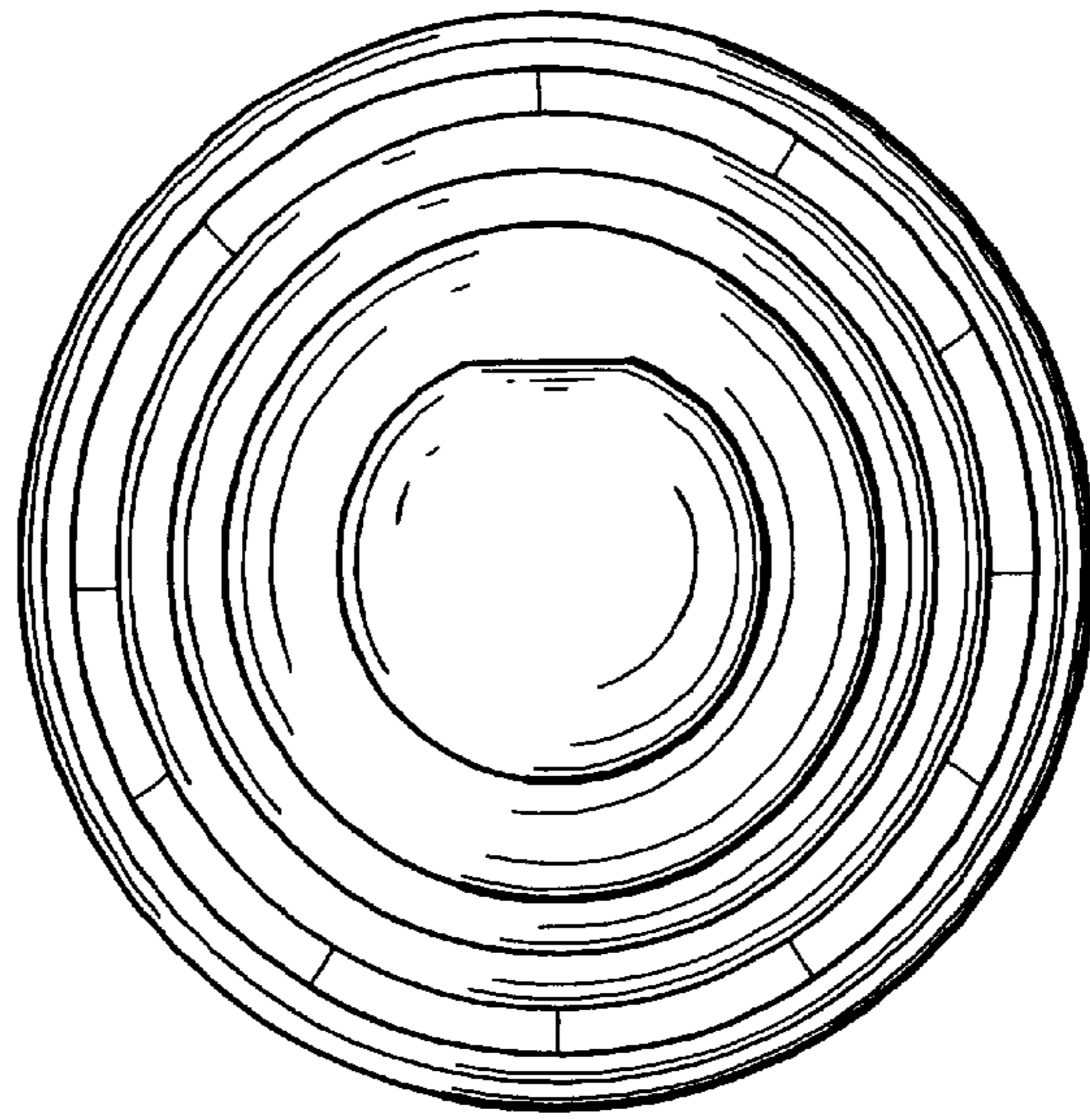


FIG. 2

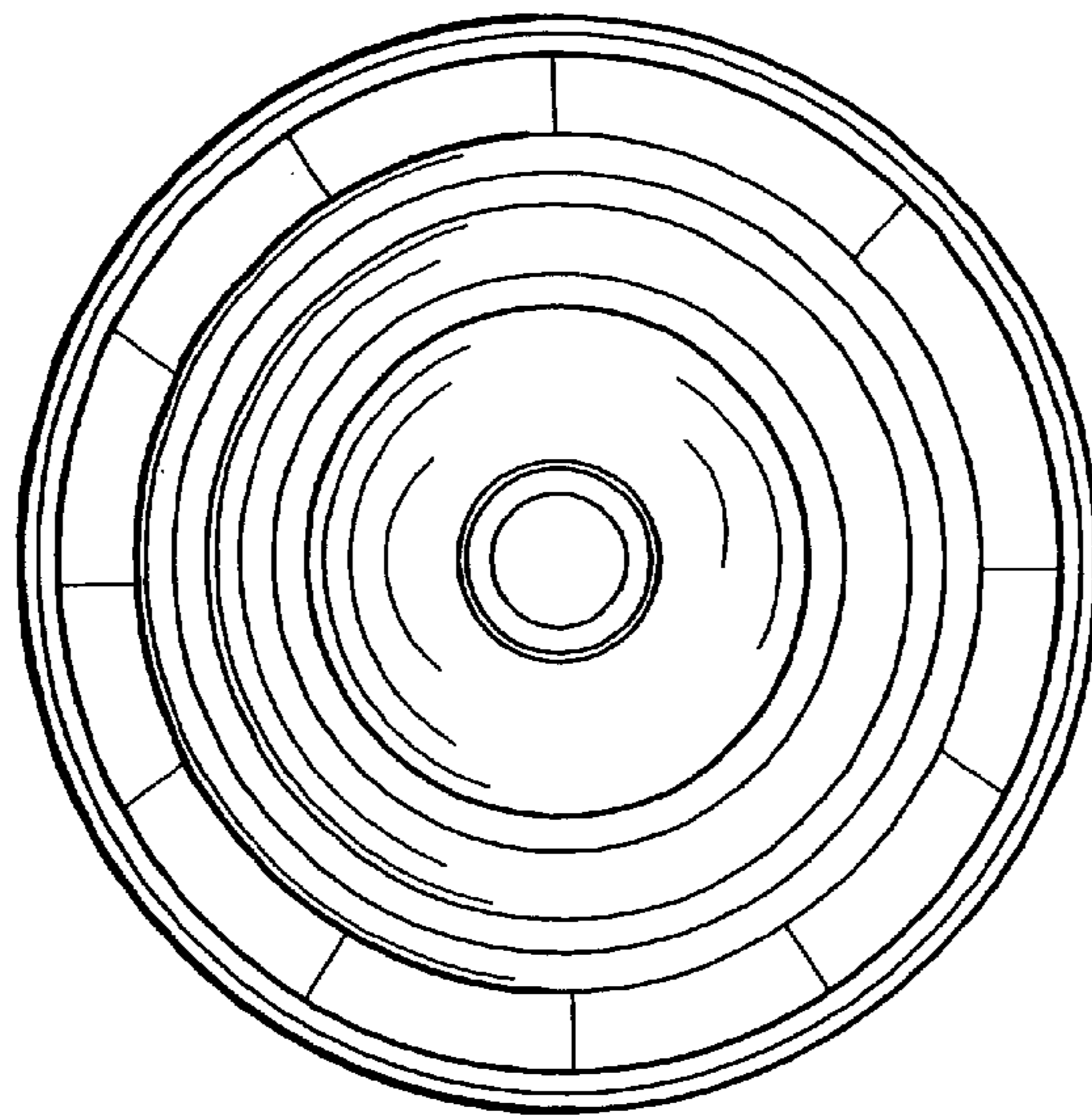


FIG. 3

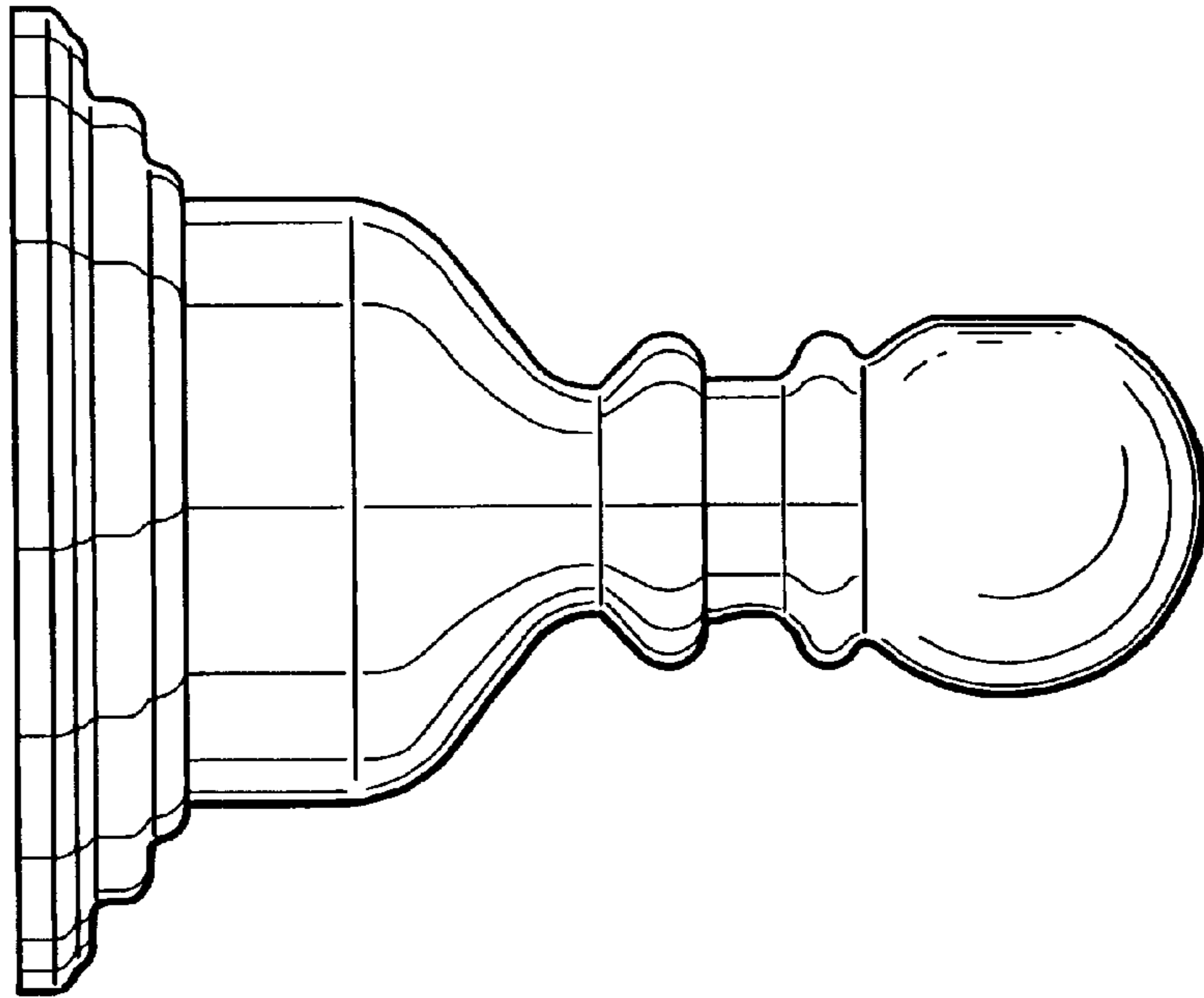


FIG. 4

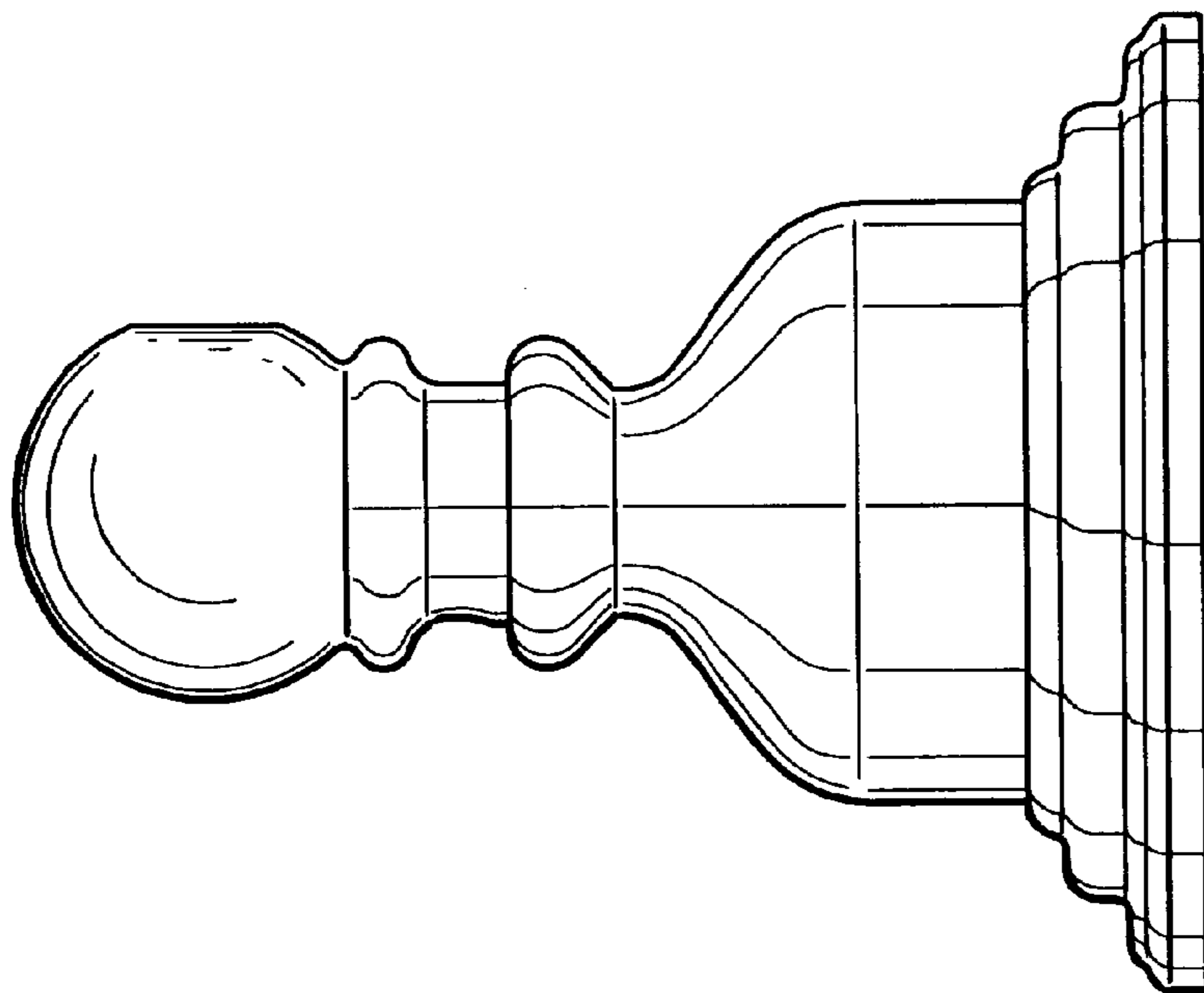


FIG. 5

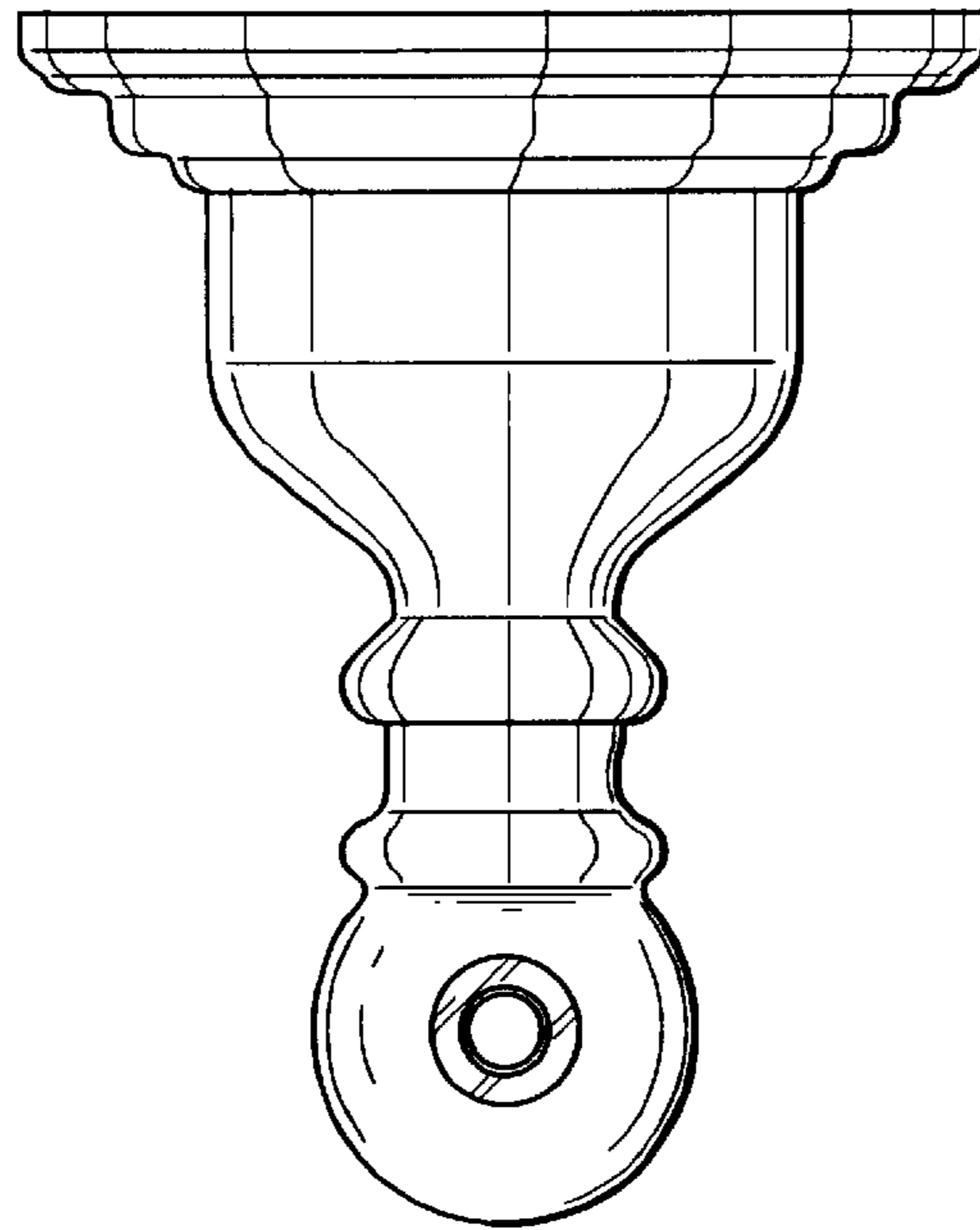


FIG. 6

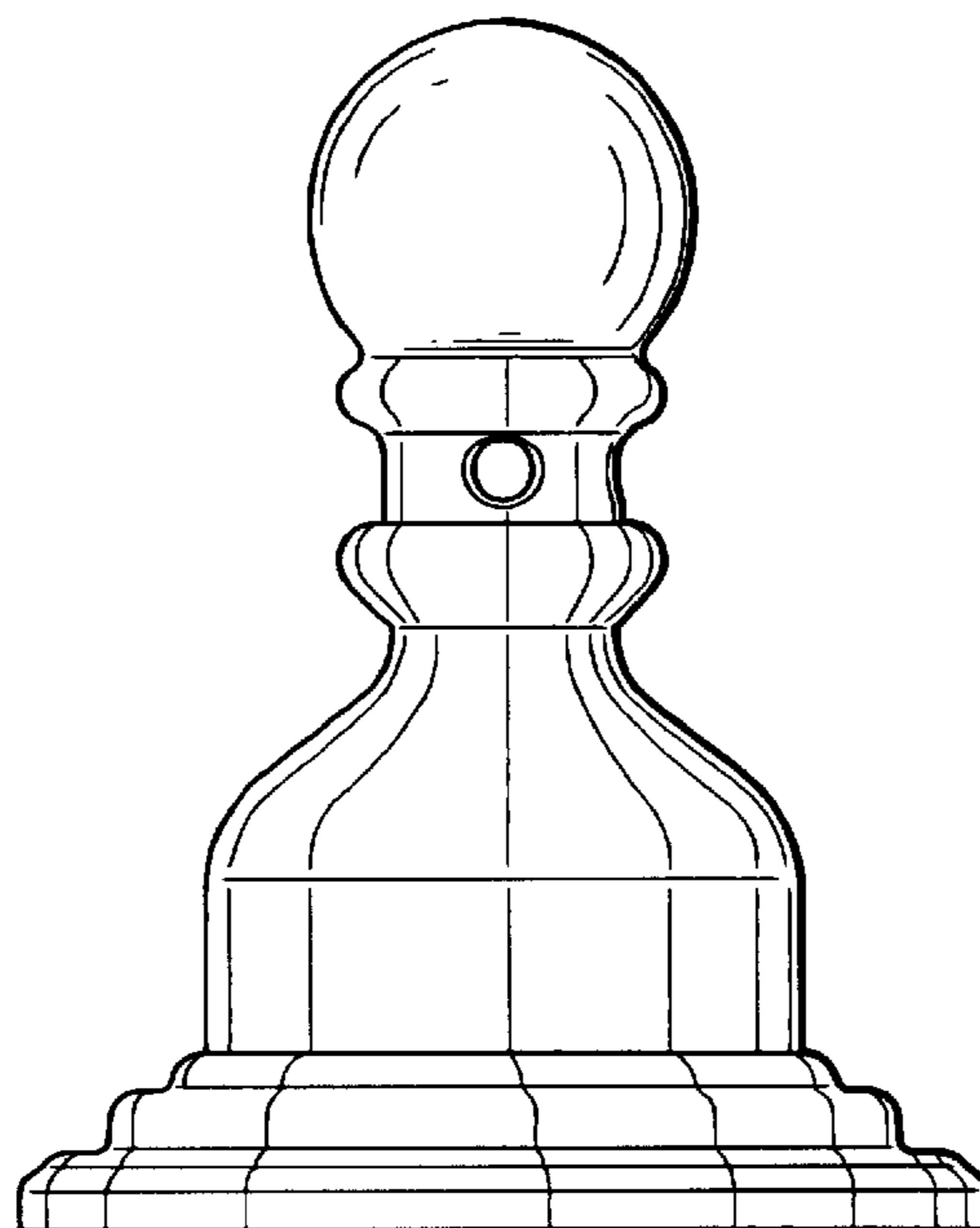


FIG. 7

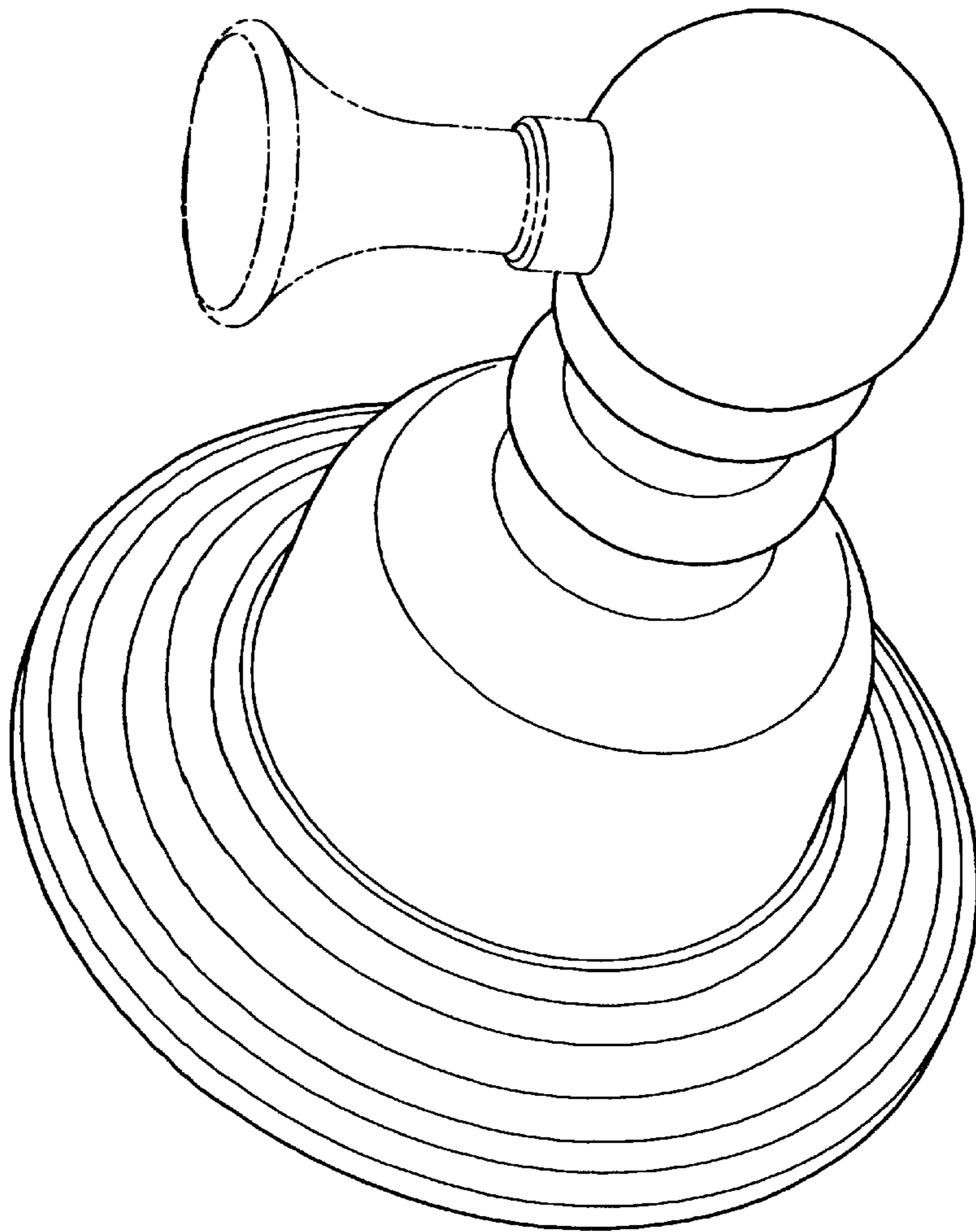


FIG. 8

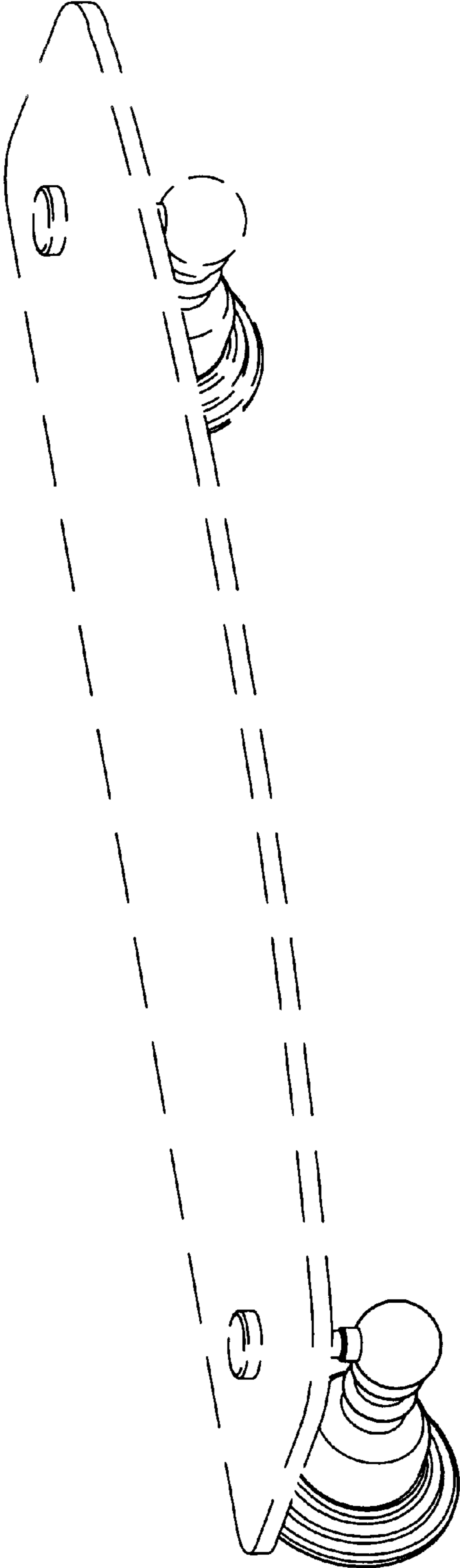


FIG. 9

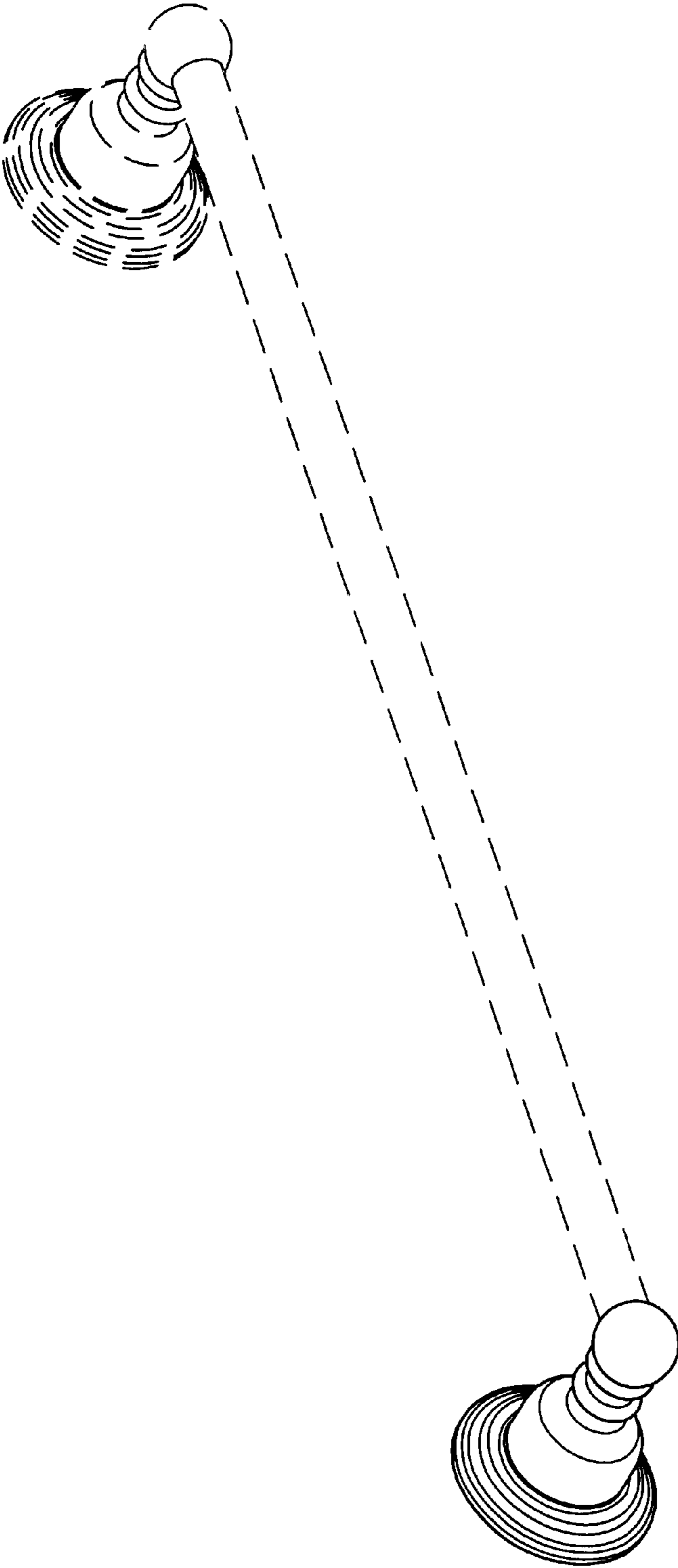


FIG. 10

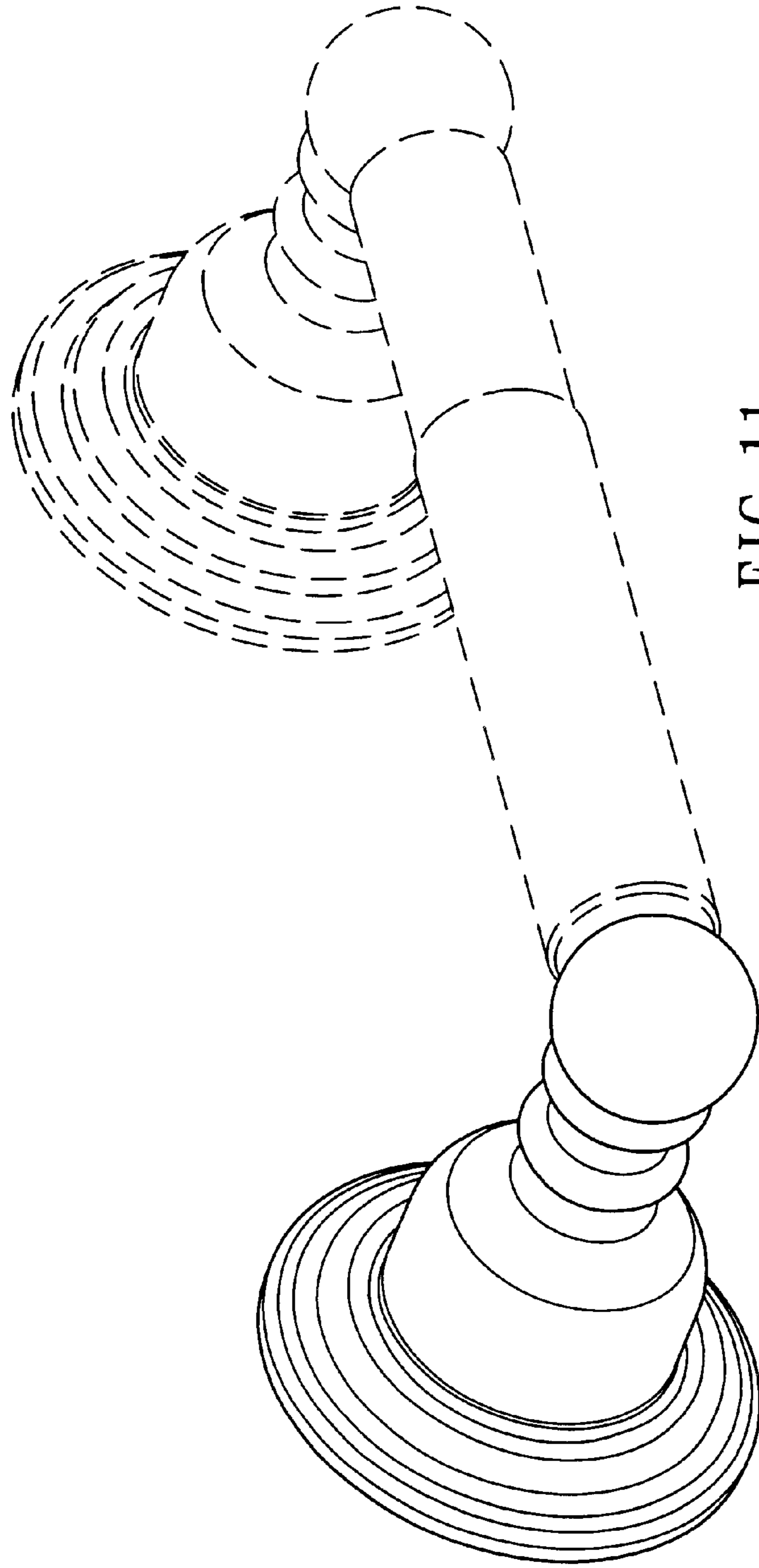


FIG. 11