



US00D518981S

(12) **United States Design Patent**
O'Hare

(10) **Patent No.:** **US D518,981 S**

(45) **Date of Patent:** **** Apr. 18, 2006**

(54) **TABLE**

(75) Inventor: **Timothy M. O'Hare**, Oak Ridge, NC (US)

(73) Assignee: **Thomasville Furniture Industries, Inc.**, Thomasville, NC (US)

(**) Term: **14 Years**

(21) Appl. No.: **29/214,594**

(22) Filed: **Oct. 6, 2004**

(51) **LOC (8) Cl.** **06-03**

(52) **U.S. Cl.** **D6/480**

(58) **Field of Classification Search** D6/480-489,
D6/495-499; 108/150, 153.1, 155, 156, 157.1,
108/161; 248/188, 188.1, 188.8, 188.9
See application file for complete search history.

(56) **References Cited**

U.S. PATENT DOCUMENTS

D341,506 S	*	11/1993	Nourse	D6/480
D388,978 S		1/1998	Walters, III et al.	D6/480
D424,837 S	*	5/2000	Hazen et al.	D6/480
D459,612 S	*	7/2002	Vaaler	D6/432
D461,337 S	*	8/2002	Stokes	D6/480
D502,617 S	*	3/2005	Chang	D6/480
D509,683 S	*	9/2005	Mohundro	D6/480

OTHER PUBLICATIONS

Essex—American of Martinsville. May 11, 1983, cocktail table at right and center.*
Leg on Square Cocktail Table, Summer Cottage Collection brochure, Thomasville Furniture Industries, Inc., p. 5, 2002.

Hampton Court Bench, Gregorius/Pineo, date unknown, available as of the filing date.

* cited by examiner

Primary Examiner—Janice E. Seeger

(74) *Attorney, Agent, or Firm*—Womble Carlyle Sandridge & Rice, PLLC

(57) **CLAIM**

The ornamental design for a table, as shown and described.

DESCRIPTION

FIG. 1 is a perspective view of a table showing my new design as a cocktail table;

FIG. 2 is a front elevational view, the rear view being a mirror image thereof;

FIG. 3 is a side elevational view, the opposite side being a mirror image thereof;

FIG. 4 is a top view thereof;

FIG. 5 is a perspective view of a second embodiment of a table showing my new design as an end table with a shorter tray and longer, more narrow legs;

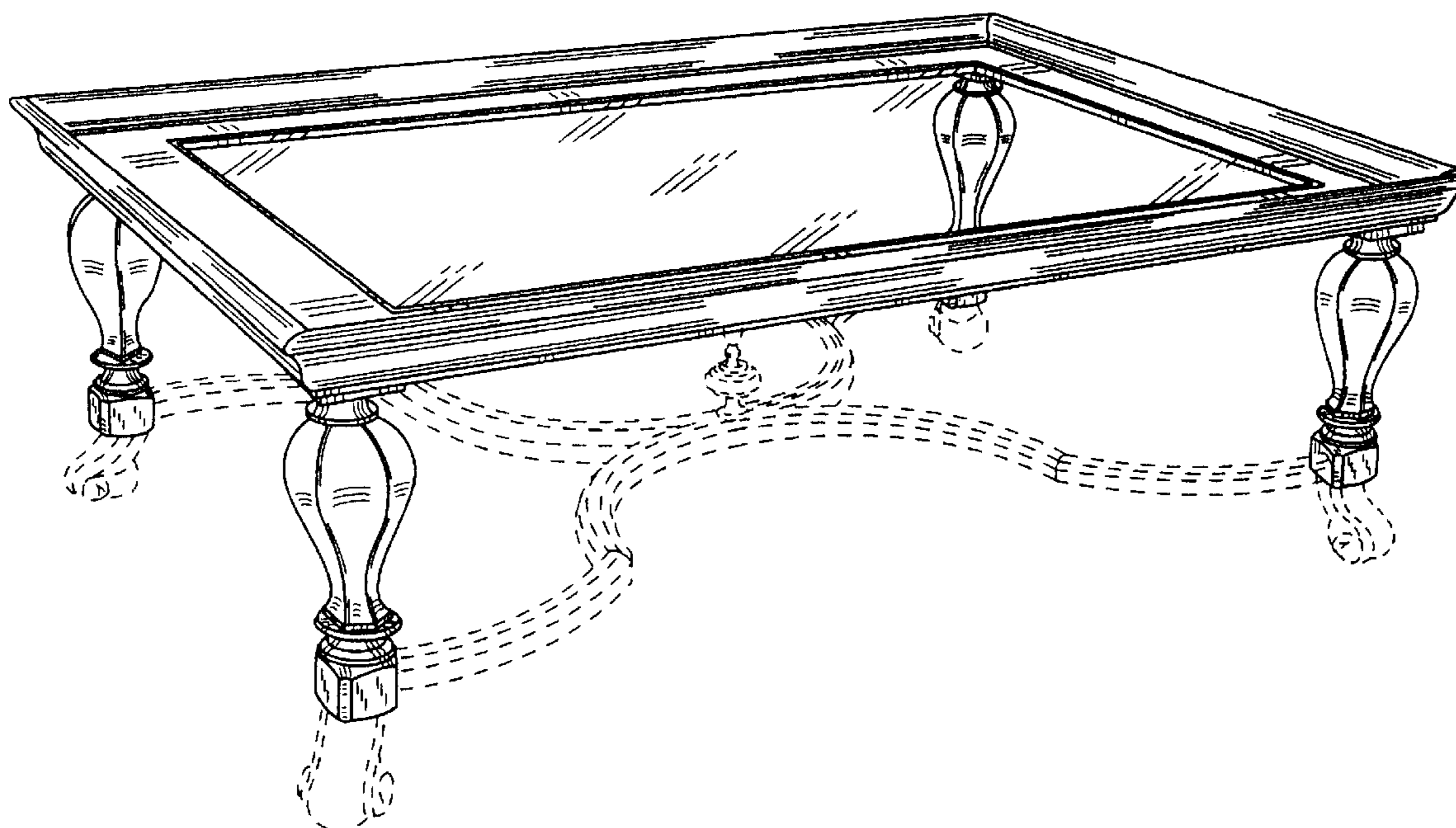
FIG. 6 is a front elevational view, the rear view being a mirror image thereof;

FIG. 7 is a side elevational view, the opposite side being a mirror image thereof; and,

FIG. 8 is a top view thereof.

The views of the table not shown form no part of the claimed design. The broken lines depicting feet, stretcher bars and finials represent environmental elements only and form no part of the claimed design.

1 Claim, 7 Drawing Sheets



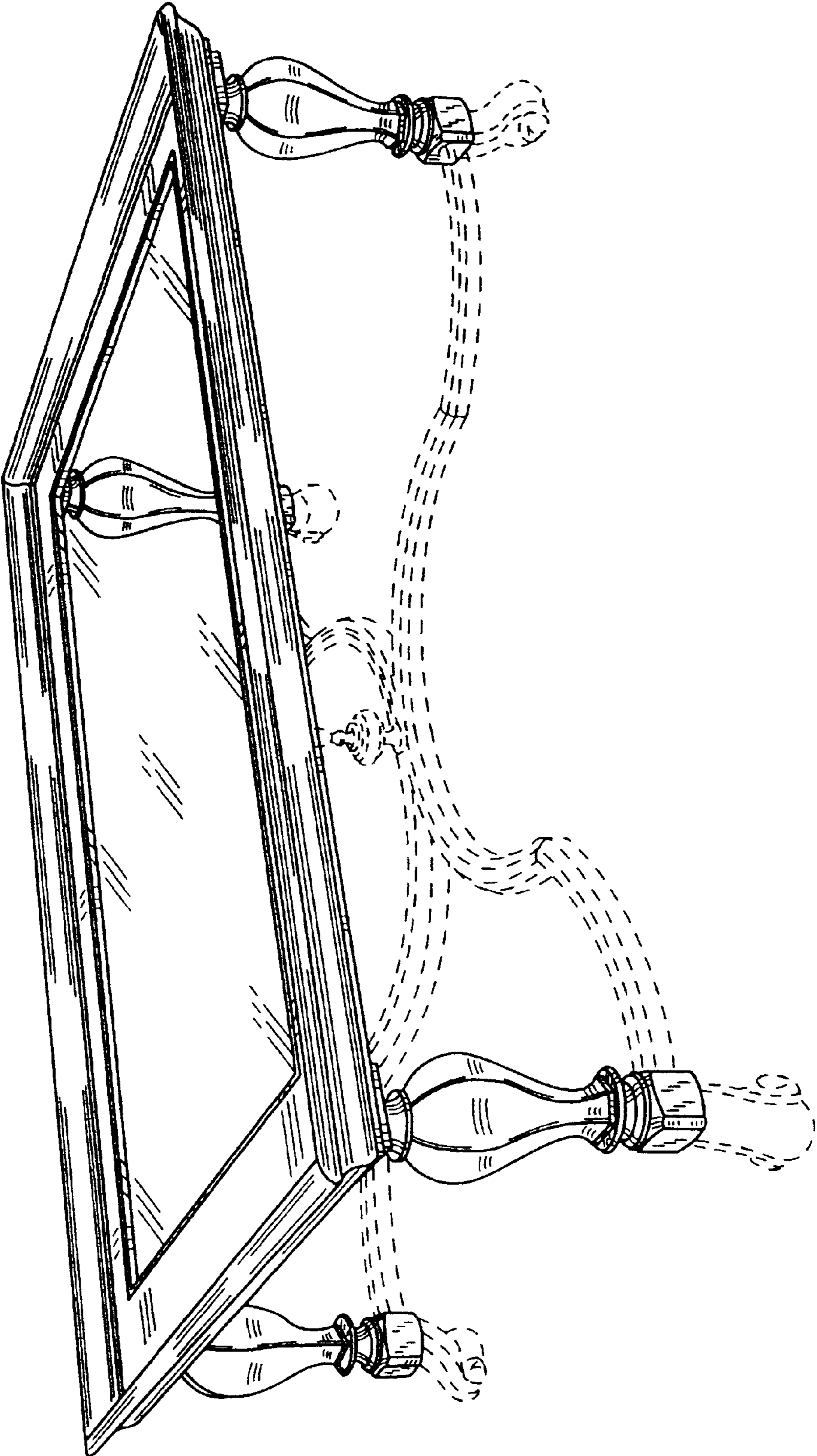


Fig. 1

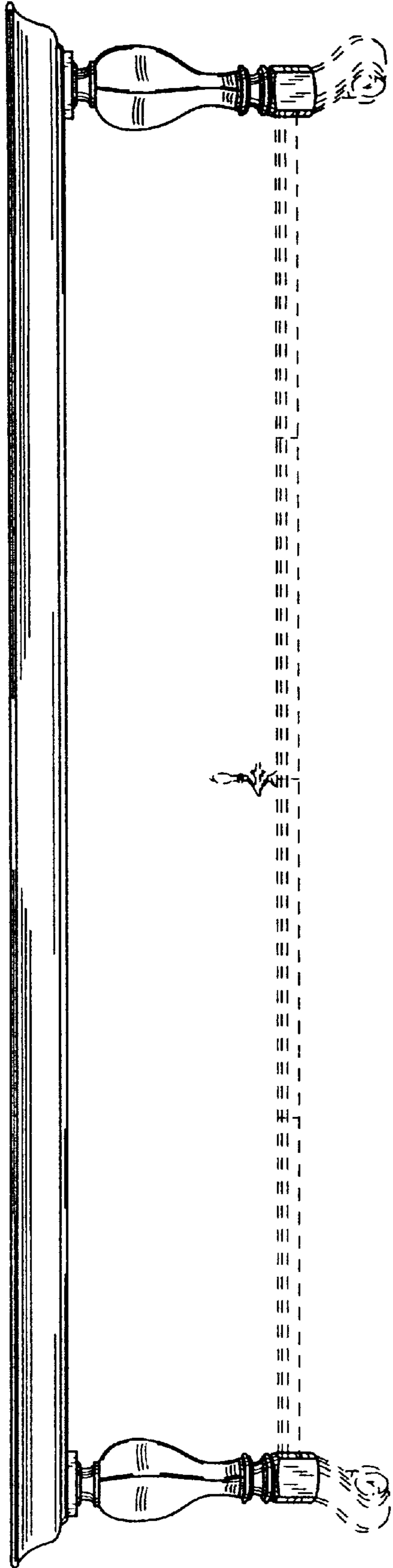


Fig. 2

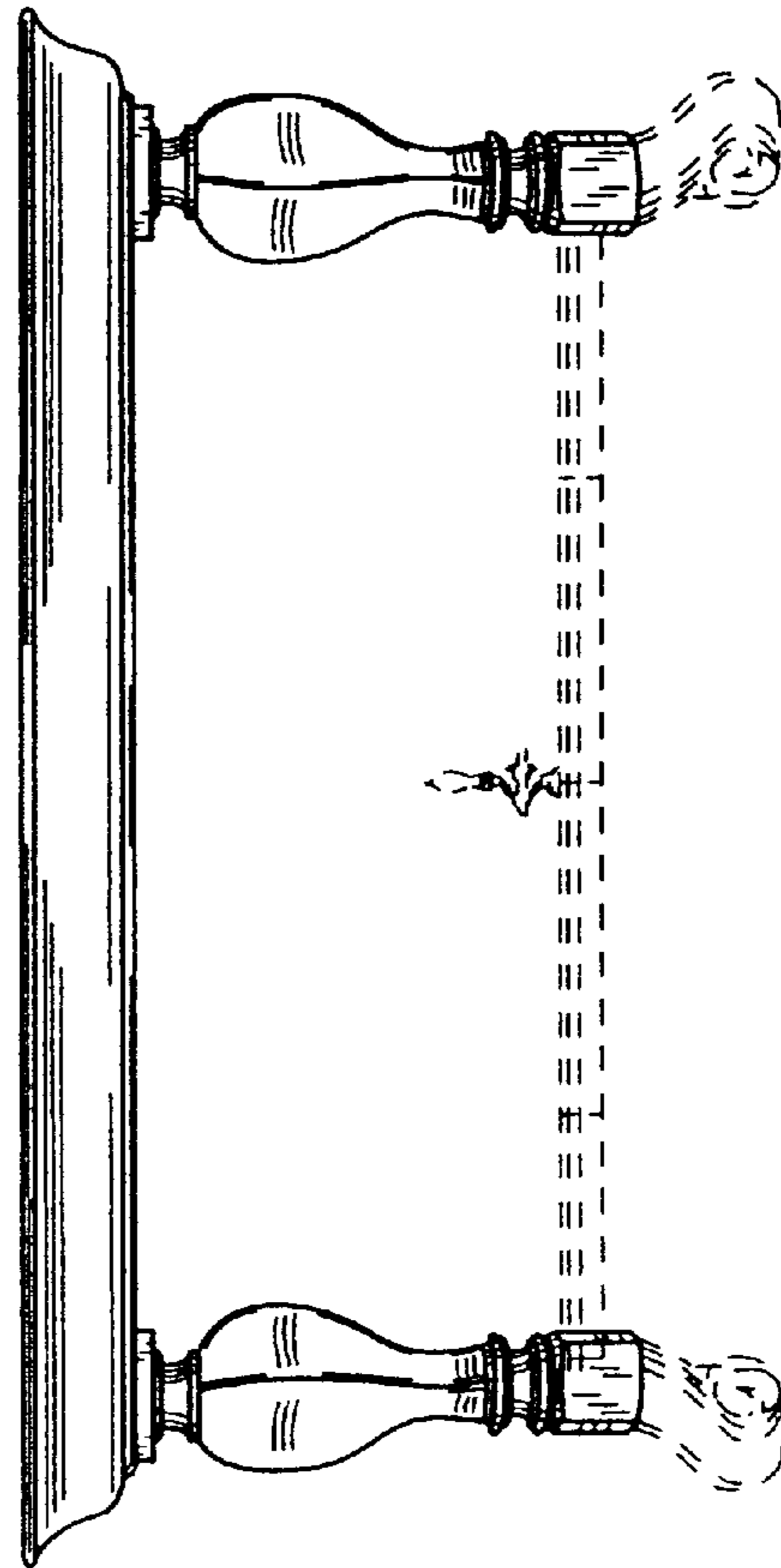


Fig. 3

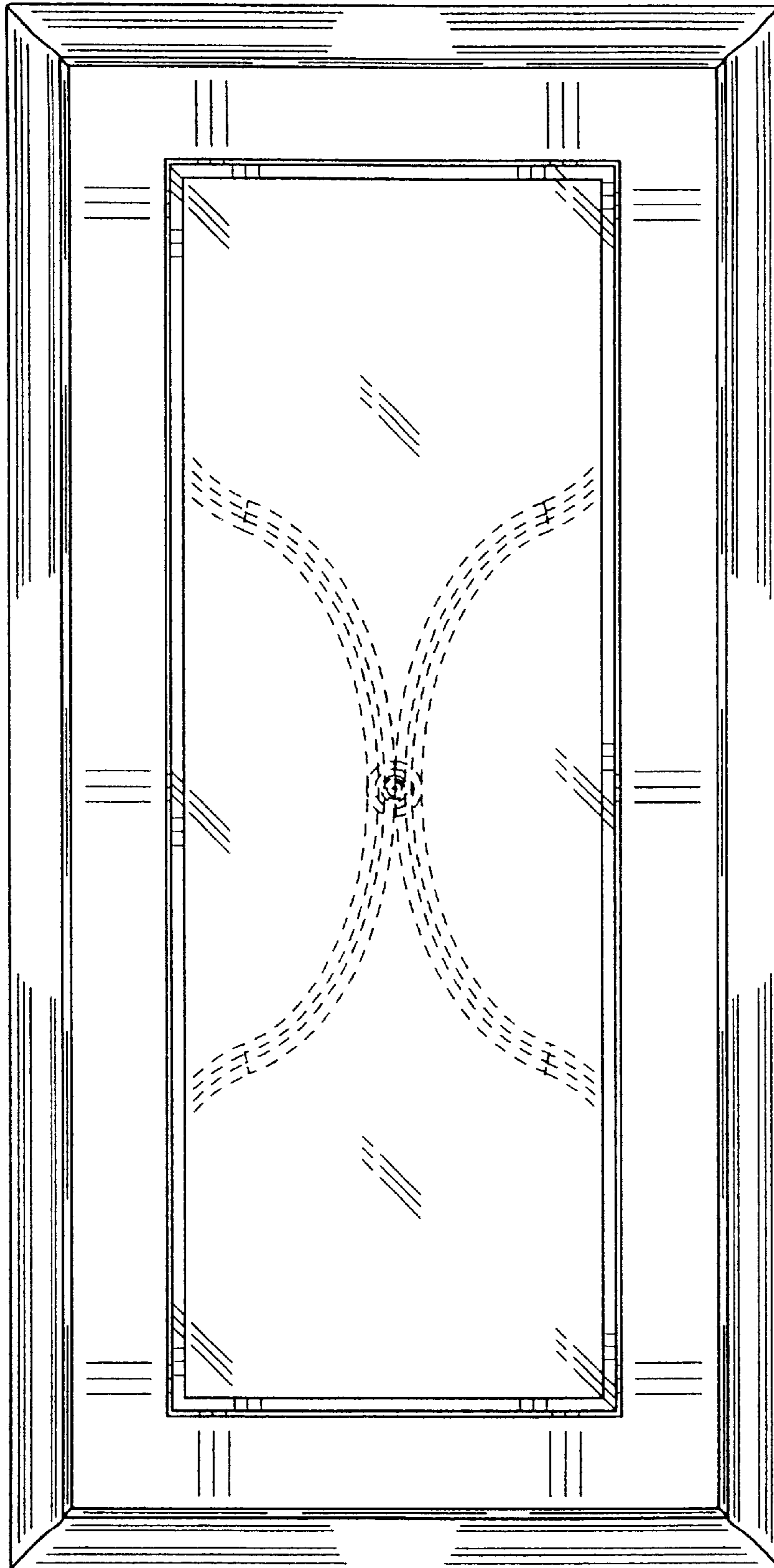


Fig. 4

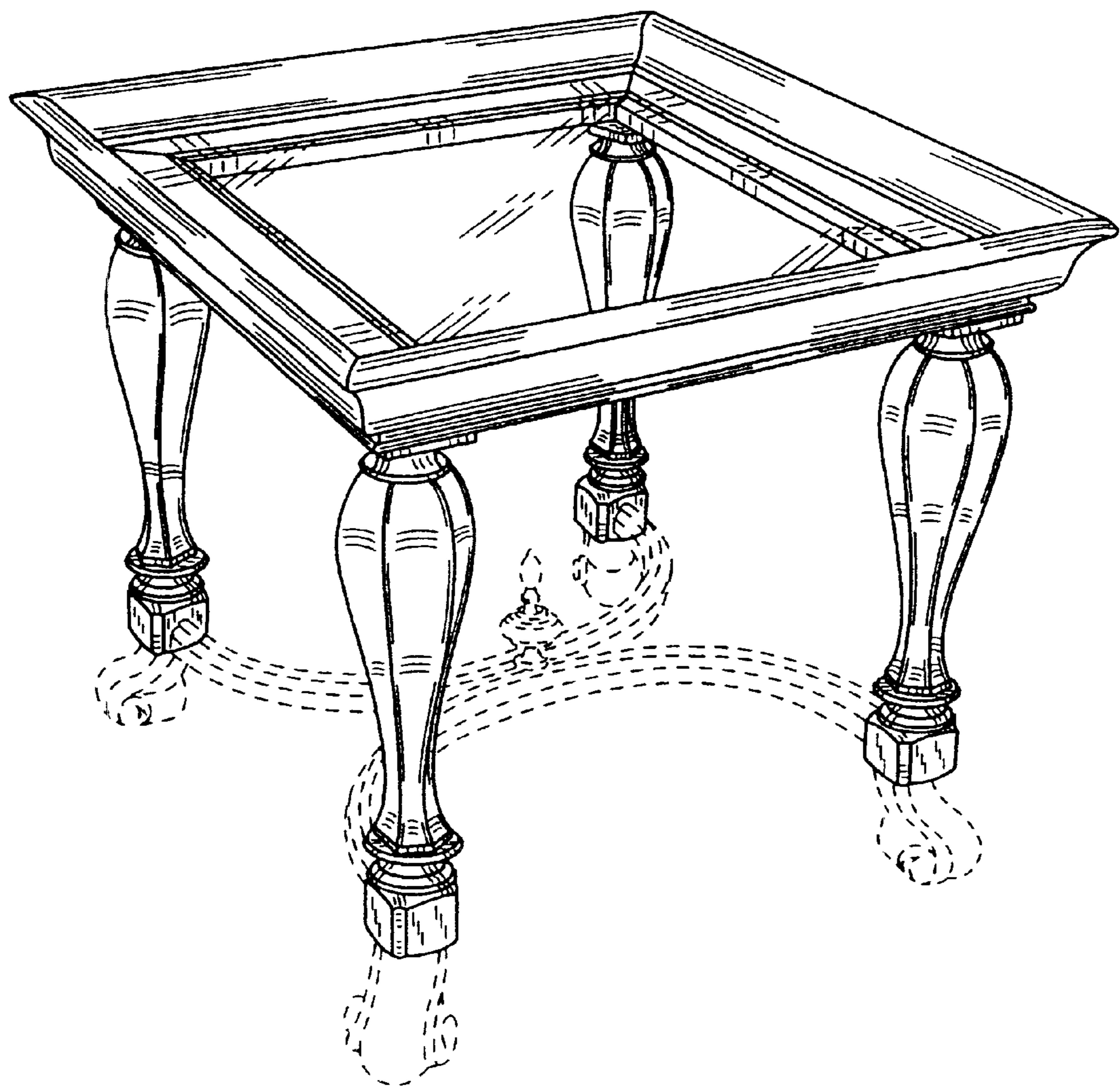


Fig. 5

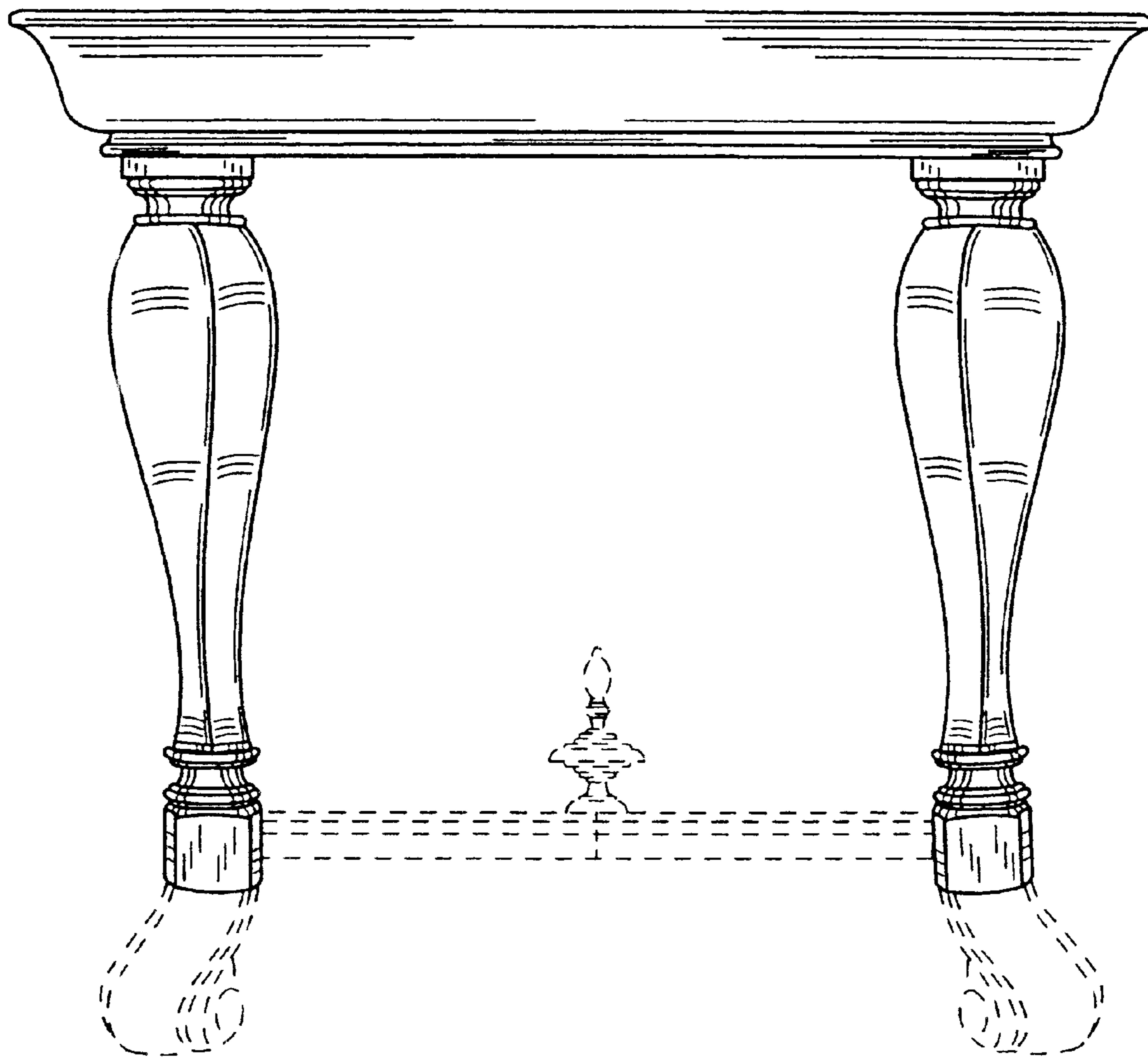


Fig. 6

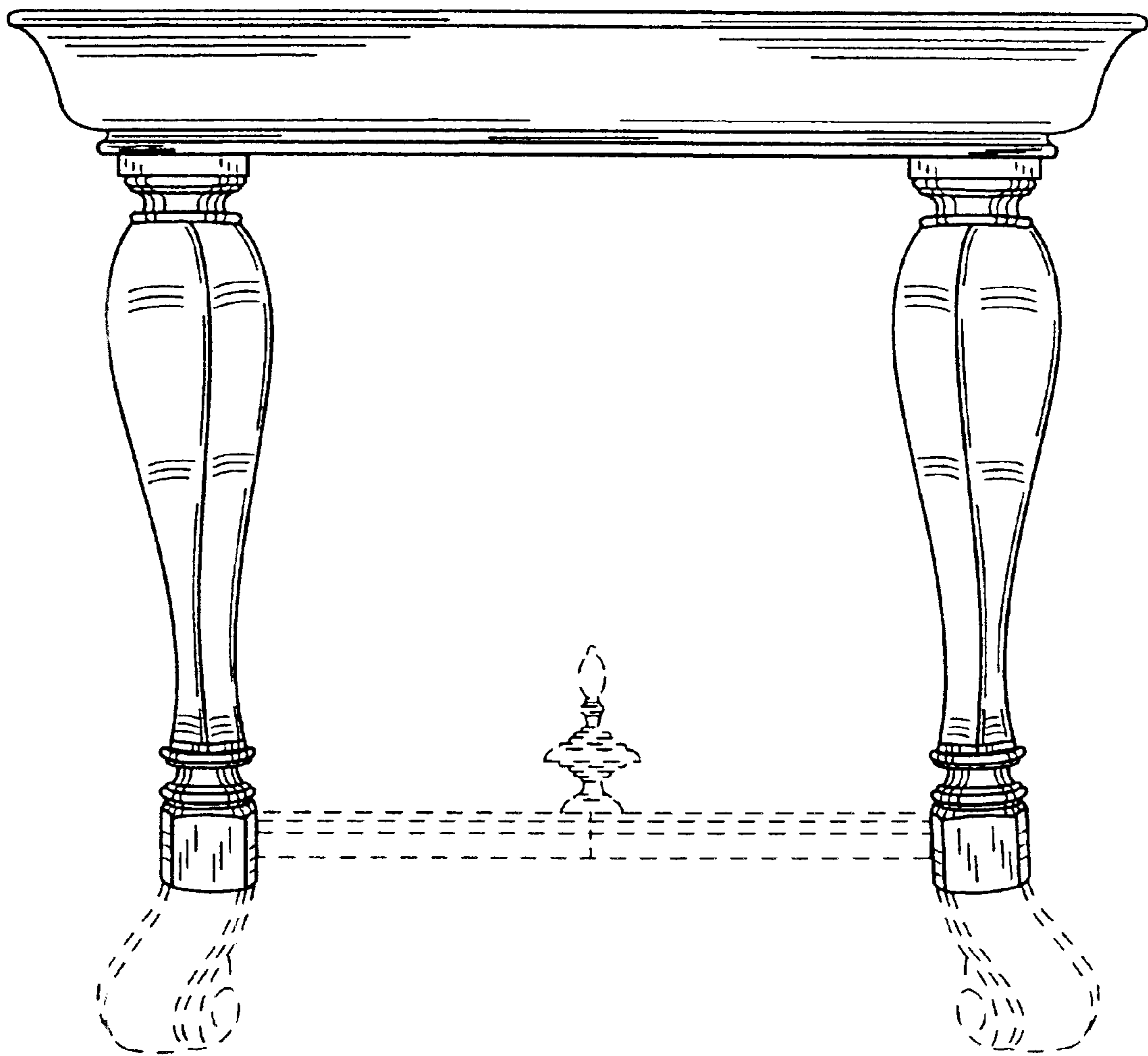


Fig. 7

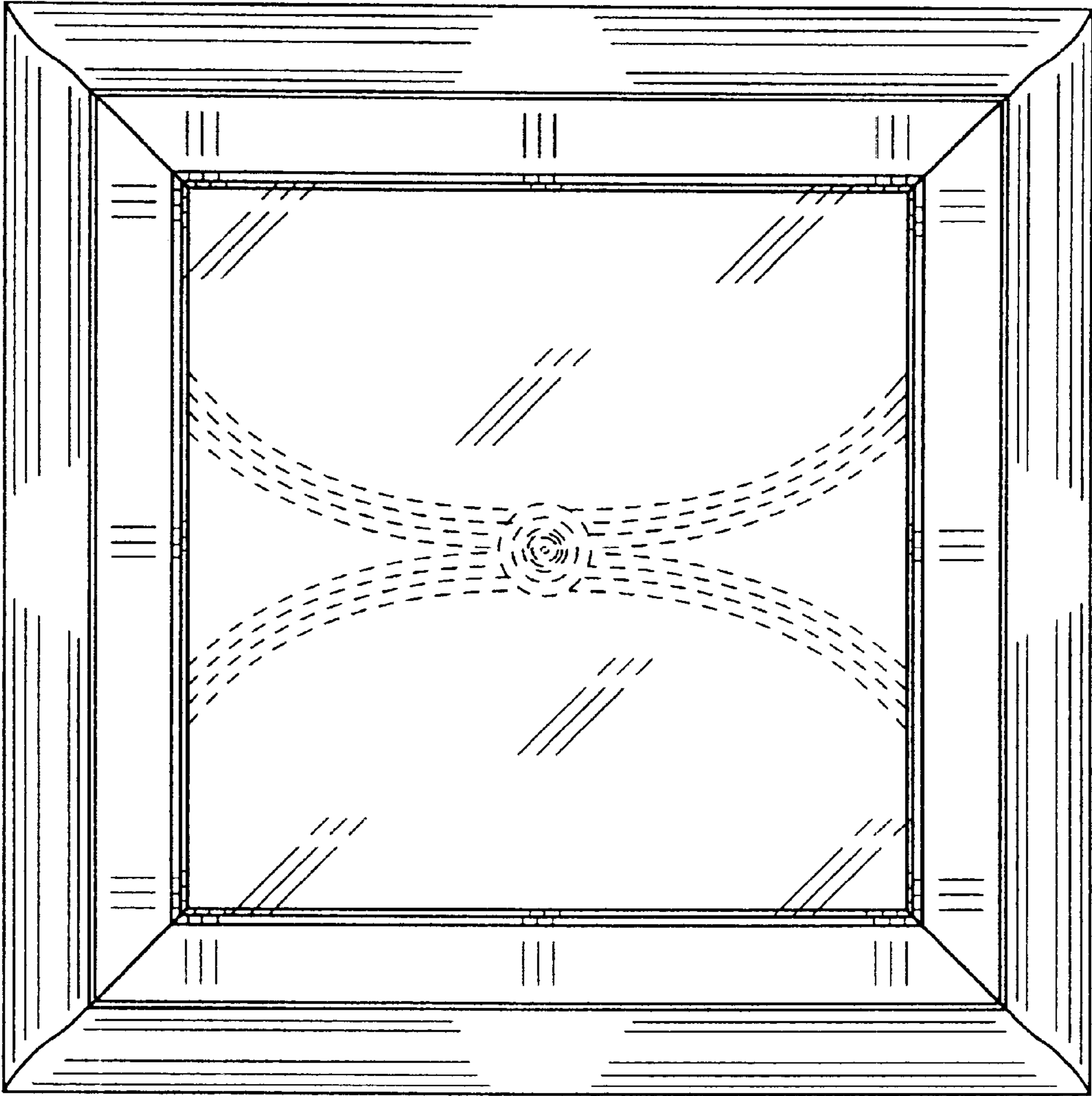


Fig. 8