



US00D518976S

(12) **United States Design Patent**
Mohundro

(10) **Patent No.:** **US D518,976 S**

(45) **Date of Patent:** **** Apr. 18, 2006**

(54) **DRESSER**

(76) **Inventor:** **James Glenn Mohundro**, 3F-4, No. 161, Kung-I Road, Taichung (TW), 403

(**) **Term:** **14 Years**

(21) **Appl. No.:** **29/224,893**

(22) **Filed:** **Mar. 9, 2005**

(51) **LOC (8) Cl.** **06-04**

(52) **U.S. Cl.** **D6/446**

(58) **Field of Classification Search** D6/434,
D6/436-447; 312/114, 204, 224, 227
See application file for complete search history.

(56) **References Cited**

U.S. PATENT DOCUMENTS

D133,694 S	*	9/1942	Buckner	D6/441
D384,837 S	*	10/1997	Bergelin	D6/445
D430,980 S	*	9/2000	Cain	D6/445
D446,405 S	*	8/2001	Sabo et al.	D6/436

OTHER PUBLICATIONS

Furniture Today, Harden Furniture Dresser, p. 148, Oct. 13, 2003.*

* cited by examiner

Primary Examiner—Cathron C. Brooks

(74) *Attorney, Agent, or Firm*—Bacon & Thomas, PLLC

(57) **CLAIM**

The ornamental design for a dresser, as shown and described.

DESCRIPTION

FIG. 1 is a perspective view of a dresser, showing my new design;

FIG. 2 is a front elevational view thereof;

FIG. 3 is a rear elevational view thereof;

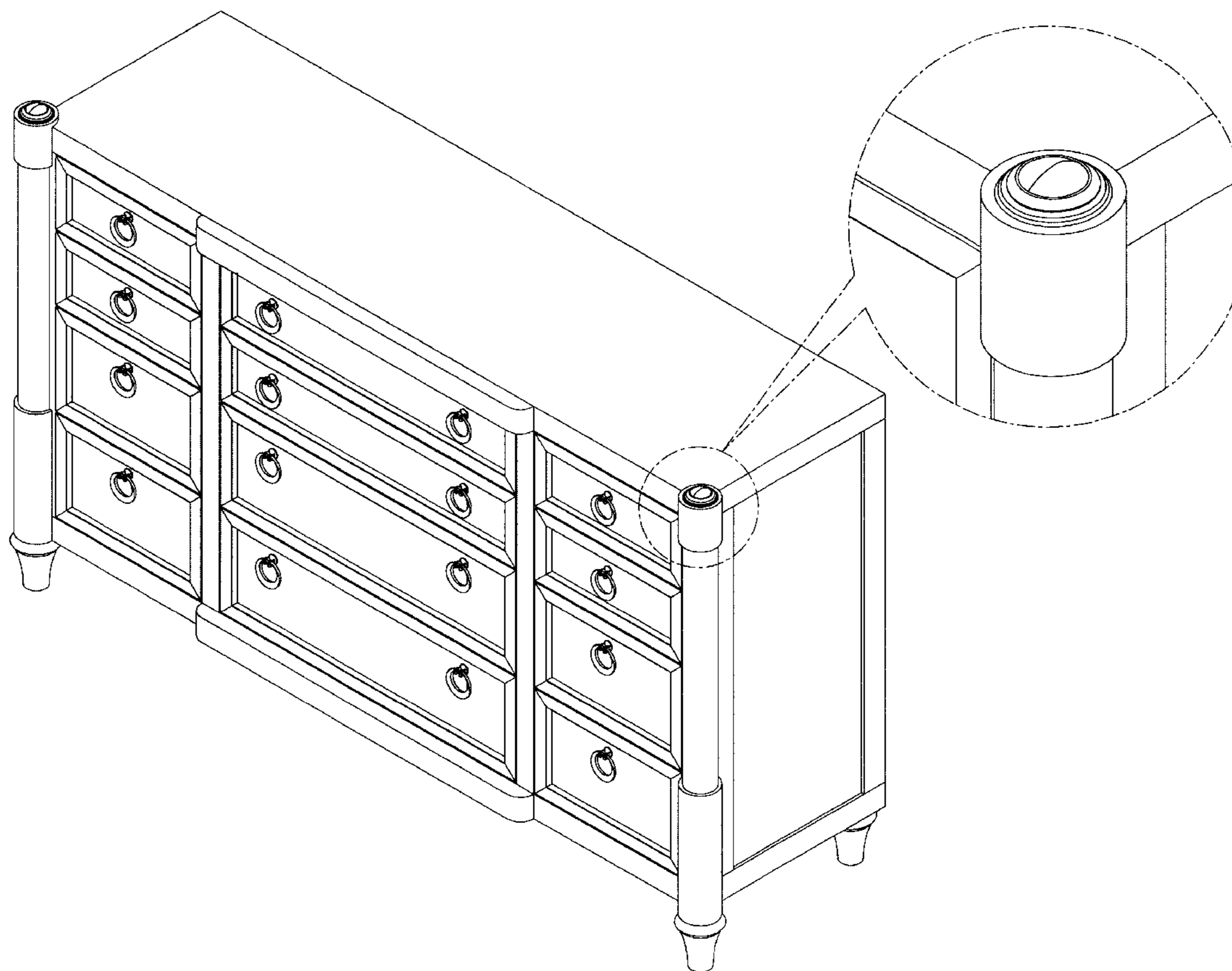
FIG. 4 is a left elevational view thereof; and

FIG. 5 is a right elevational view thereof;

FIG. 6 is a top plan view thereof; and,

FIG. 7 is a bottom plan view thereof.

1 Claim, 6 Drawing Sheets



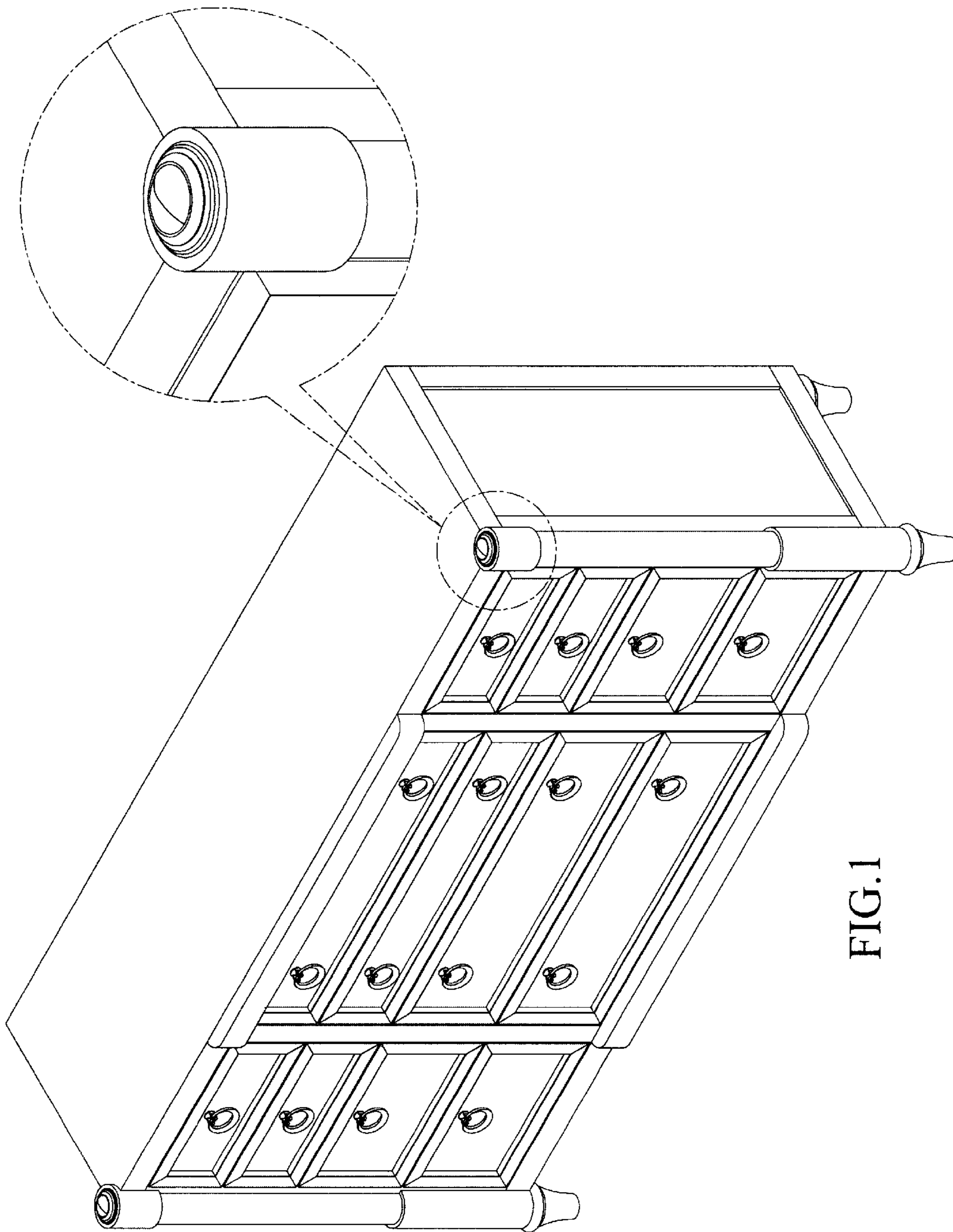


FIG. 1

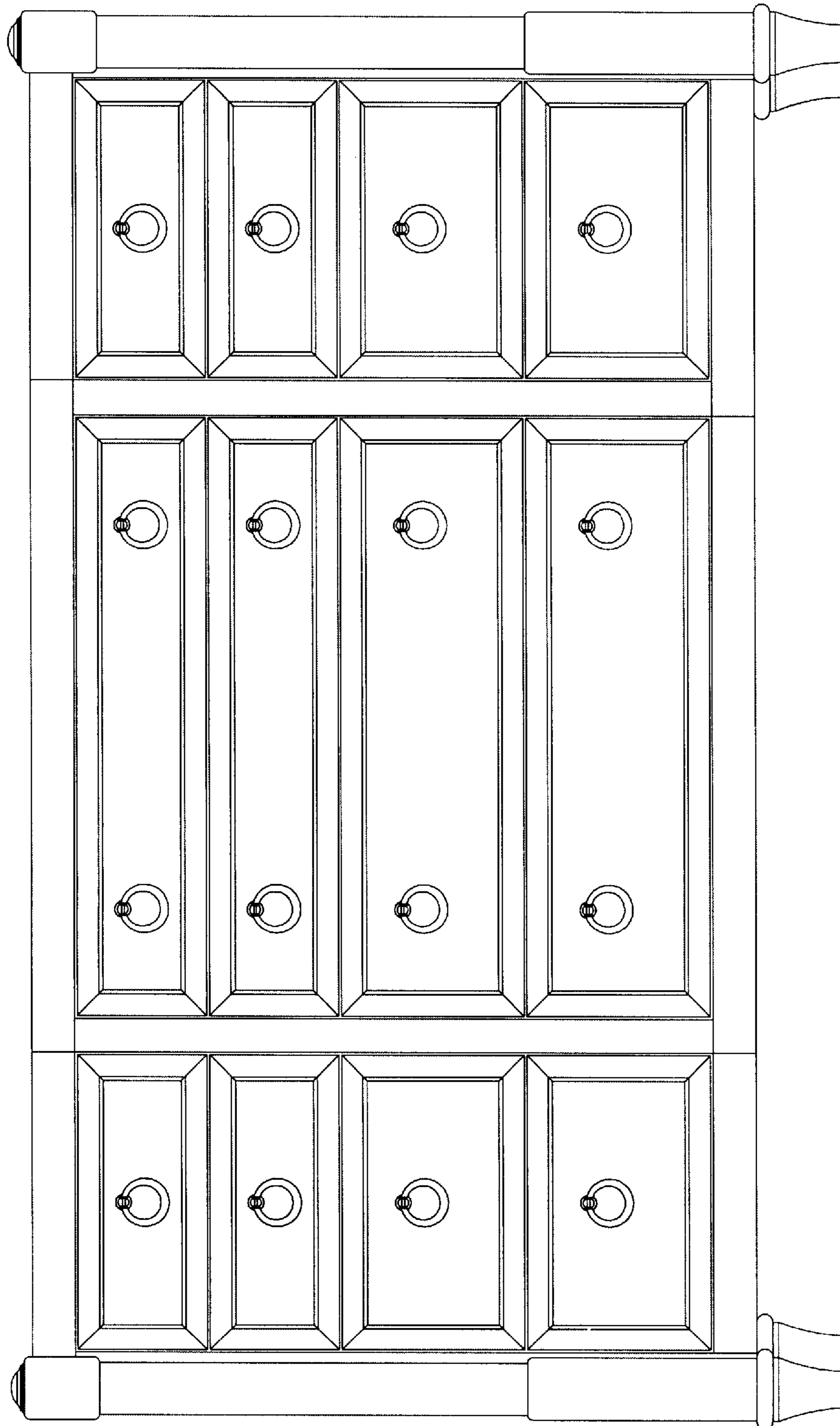


FIG.2

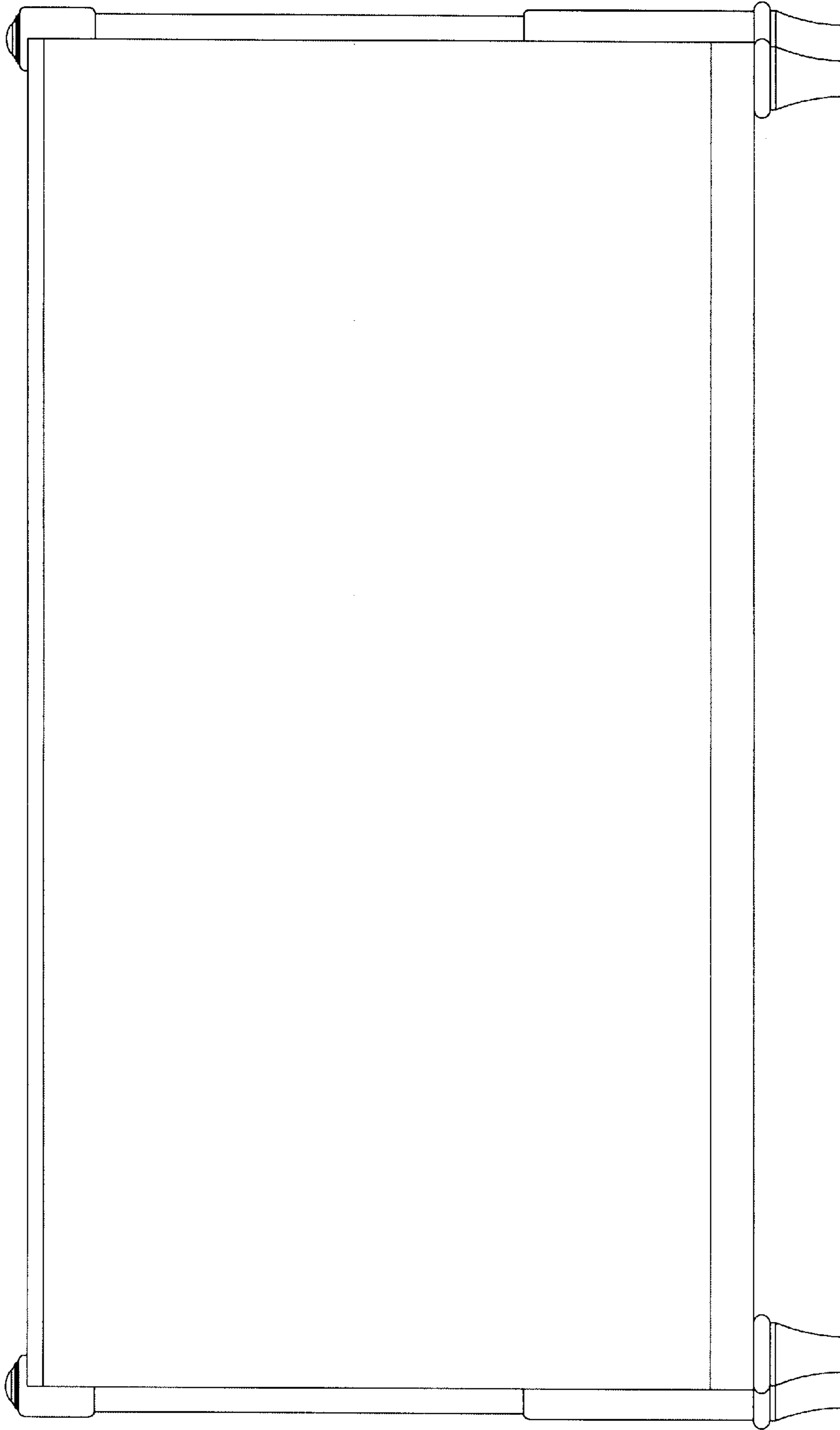


FIG.3

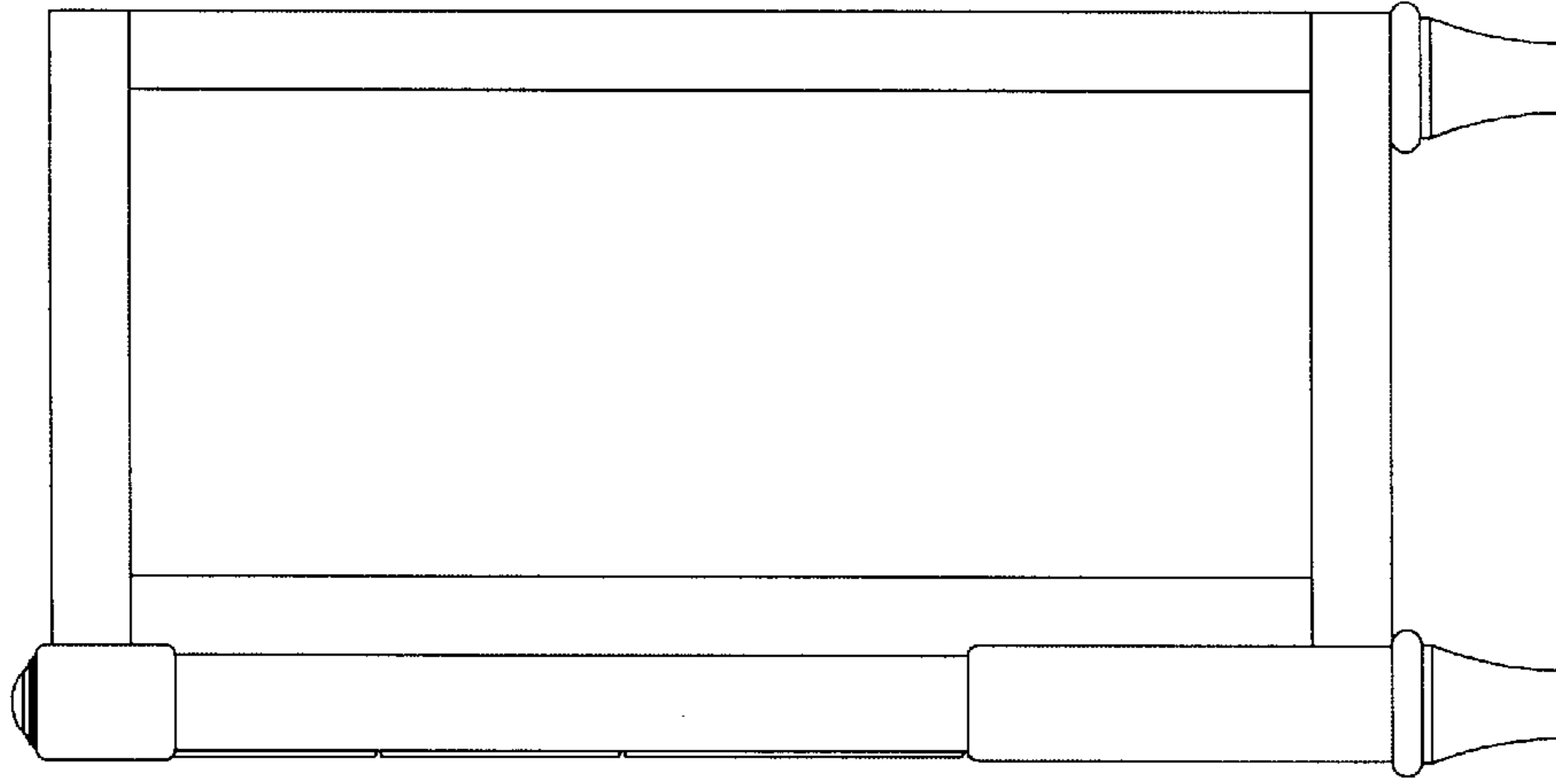


FIG.5

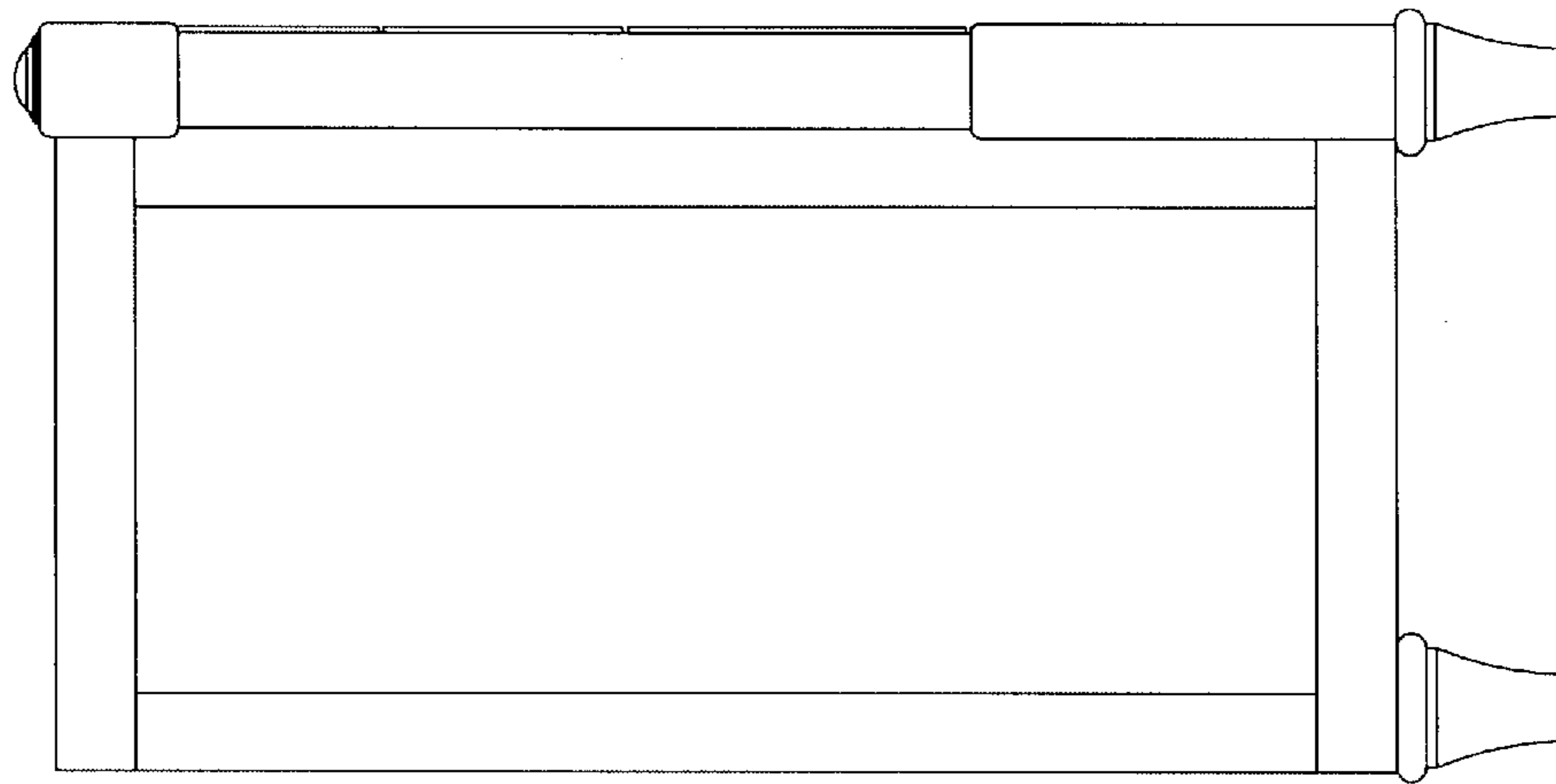


FIG.4

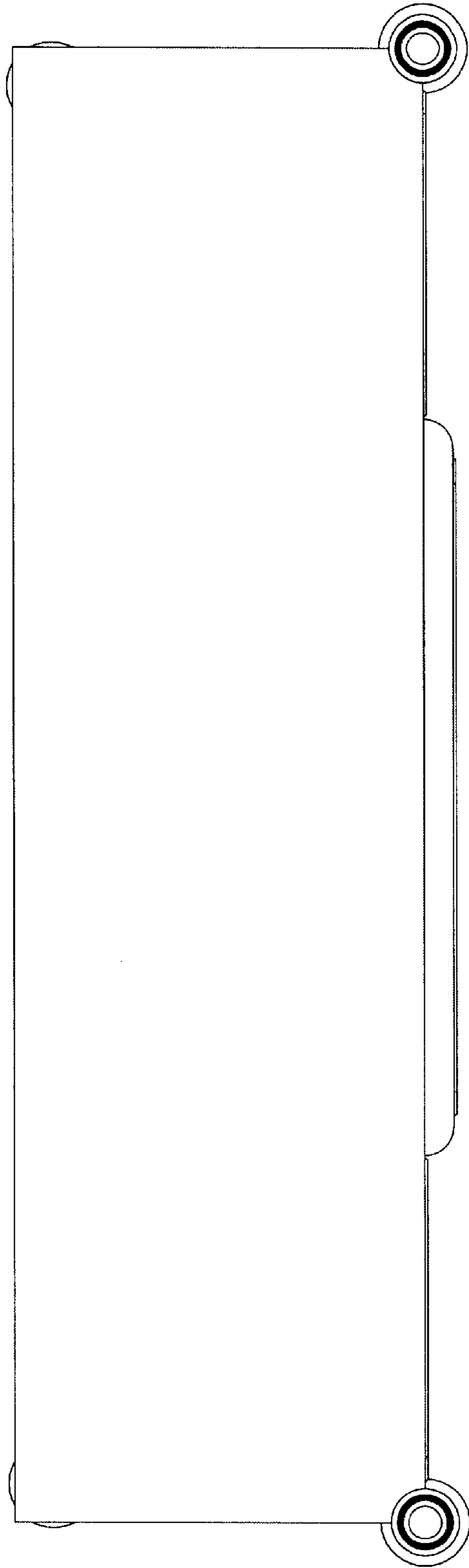


FIG.6

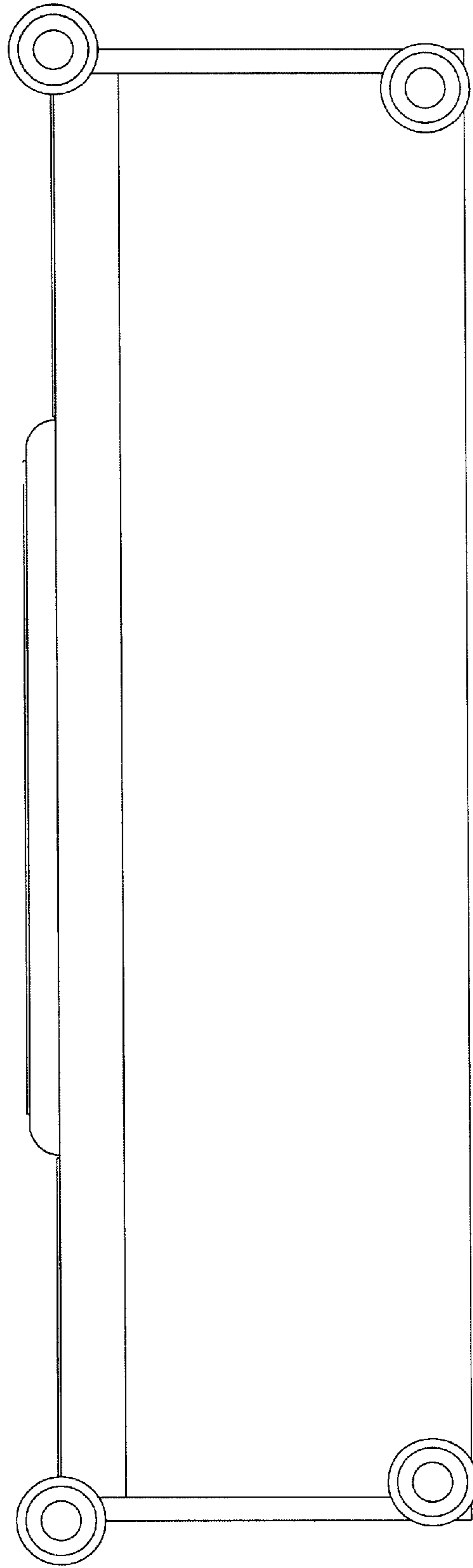


FIG.7