



US00D518974S

(12) **United States Design Patent**
Kelley et al.

(10) **Patent No.:** **US D518,974 S**
(45) **Date of Patent:** **** Apr. 18, 2006**

(54) **MODULAR FURNITURE SET**

(75) Inventors: **James O. Kelley**, Spring Lake, MI (US); **Ralph J. Byma**, Zeeland, MI (US); **Gregg J. Persons**, Wyoming, MI (US); **Errol S. Pearsons**, Grand Haven, MI (US)

(73) Assignee: **Sligh Furniture Co.**, Holland, MI (US)

(**) Term: **14 Years**

(21) Appl. No.: **29/197,267**

(22) Filed: **Jan. 13, 2004**

Related U.S. Application Data

(63) Continuation-in-part of application No. 08/840,960, filed on Apr. 17, 1997, now Pat. No. 6,676,231.

(51) **LOC (8) Cl.** **06-04**

(52) **U.S. Cl.** **D6/397; D6/436**

(58) **Field of Classification Search** D6/396,
D6/397, 335, 336, 425-427, 436-439; 312/196,
312/198, 238-240

See application file for complete search history.

(56) **References Cited**

U.S. PATENT DOCUMENTS

D115,850 S	*	7/1939	Greenfield	D6/426
D165,571 S	*	1/1952	Brandenburger, Sr.	D6/438
D250,237 S	*	11/1978	Hero et al.	D6/427
D287,079 S	*	12/1986	Mintjens	D6/436
D330,124 S	*	10/1992	Short	D6/422
D334,483 S	*	4/1993	Johnson	D6/430
5,346,296 A	*	9/1994	Kelley	312/198
D354,408 S	*	1/1995	Kelley	D6/426
D382,419 S	*	8/1997	O'Sullivan et al.	D6/426
D391,415 S	*	3/1998	O'Sullivan et al.	D6/426
D392,813 S	*	3/1998	Welborn et al.	D6/426
5,738,422 A	*	4/1998	Welborn et al.	312/198
D407,916 S	*	4/1999	Zaidman et al.	D6/397
D410,349 S	*	6/1999	Kelley et al.	D6/425
D471,733 S	*	3/2003	Cizmar	D6/426

OTHER PUBLICATIONS

Furniture Today, *Winners Only Modular Furniture*, p. 45, Oct. 16, 2000.*

Ethan Allen Winter 2003, *American Impressions Desk Units*, p. 44.*

* cited by examiner

Primary Examiner—Cathron Brooks

(74) *Attorney, Agent, or Firm*—Varnum Riddering Schmidt Howlett LLP

(57) **CLAIM**

The ornamental design for the modular furniture set, as shown and described.

DESCRIPTION

FIG. 1 is a perspective view of the modular furniture set, shown in a first configuration;

FIG. 2 is a front elevational view of a corner desk unit of the modular furniture set of FIG. 1;

FIG. 3 is a perspective view of the corner desk unit of FIG. 2;

FIG. 4 is a perspective view of the peninsula desk unit of the modular furniture set of FIG. 1;

FIG. 5 is a side perspective view of the straight work surface of the modular furniture set of FIG. 1;

FIG. 6 is a front elevational view of FIG. 5.

FIG. 7 is an end elevational view of FIG. 5.

FIG. 8 is a side perspective view of the lower storage cabinet unit of the modular furniture set of FIG. 1;

FIG. 9 is a front elevational view of the lower storage cabinet unit of FIG. 8;

FIG. 10 is an end elevational view of the lower storage cabinet unit of FIG. 8;

FIG. 11 is a side perspective view of a lower lateral file unit of the modular furniture set of FIG. 1;

FIG. 12 is a front elevational view of the lower lateral file unit of FIG. 11;

FIG. 13 is an end elevational view of the lower lateral file unit of FIG. 11;

FIG. 14 is a side perspective view of the vertical file unit of the modular furniture set of FIG. 1;

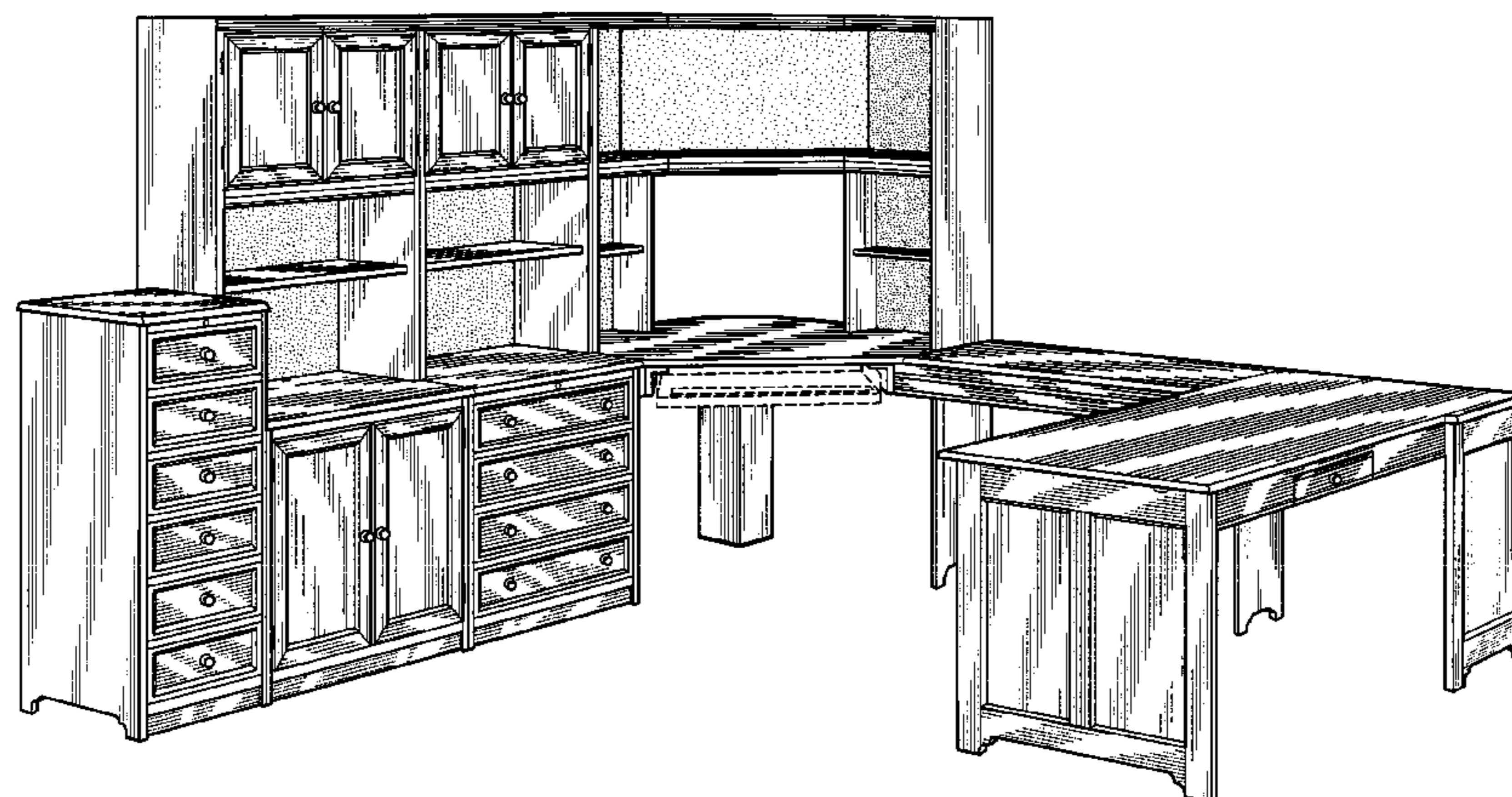


FIG. 15 is a front elevational view of the vertical file unit of FIG. 14;

FIG. 16 is a end elevational view of the vertical file unit of FIG. 14;

FIG. 17 is a side perspective view of the upper deck unit of the modular furniture set of FIG. 1;

FIG. 18 is a front elevational view of the upper deck unit of FIG. 17;

FIG. 19 is an end elevational view of the upper deck unit of FIG. 17;

FIG. 20 is a perspective view of the upper corner deck unit of the modular furniture set of FIG. 1;

FIG. 21 is a top perspective view of the upper corner deck unit of FIG. 20;

FIG. 22 is a perspective view of a second configuration of the modular furniture set, showing only some of the units of the modular furniture set;

FIG. 23 is a perspective view of a third configuration of the modular furniture set, showing only some of the units of the modular furniture set; and,

FIG. 24 is a perspective view of a fourth configuration of the modular furniture set, showing only some of the units of the modular furniture set.

The open keyboard drawer shown in broken lines in FIGS. 1, 22, 23, and 24 is shown for illustration purposes only and does not constitute a part of the invention.

1 Claim, 11 Drawing Sheets

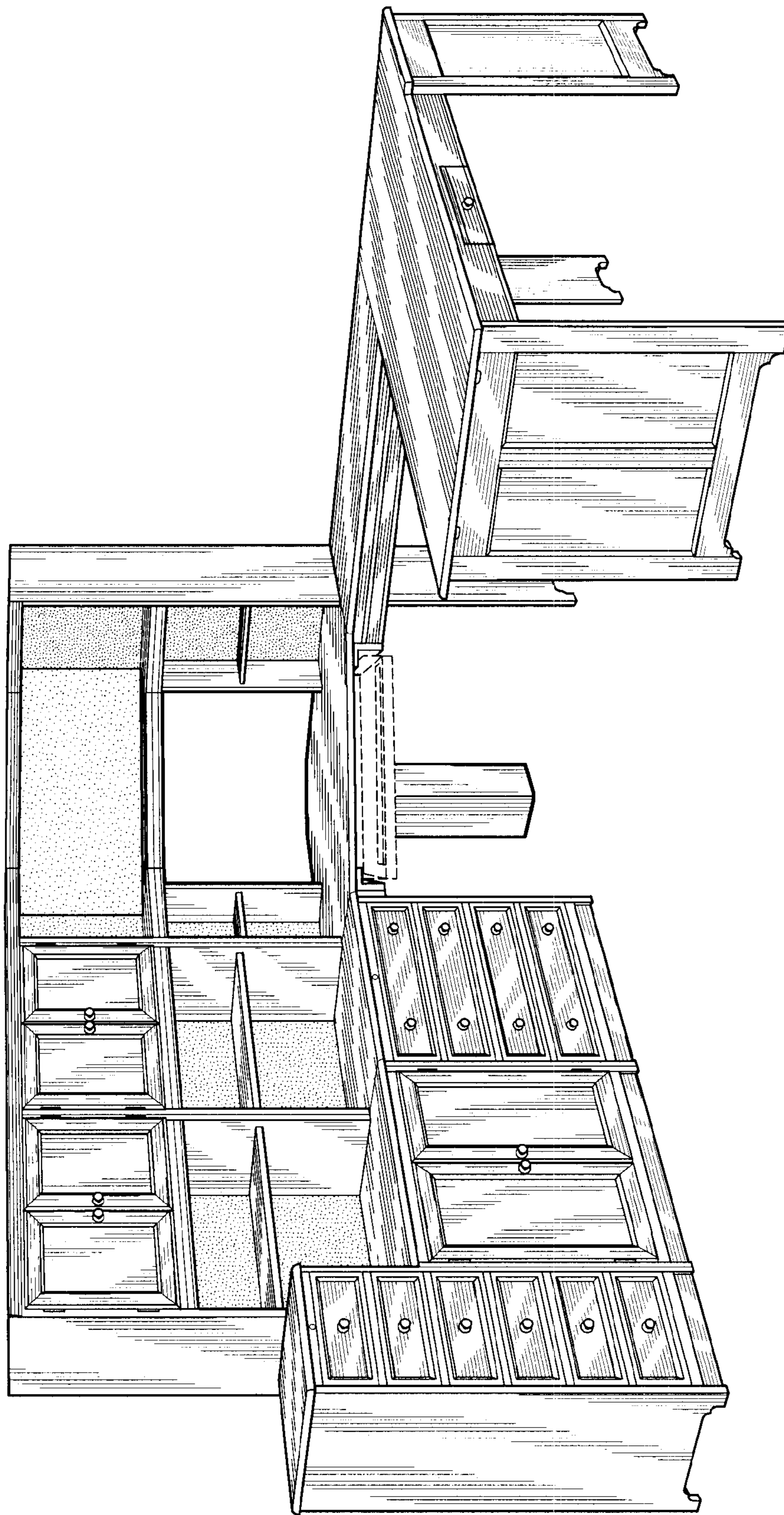


Fig. 1

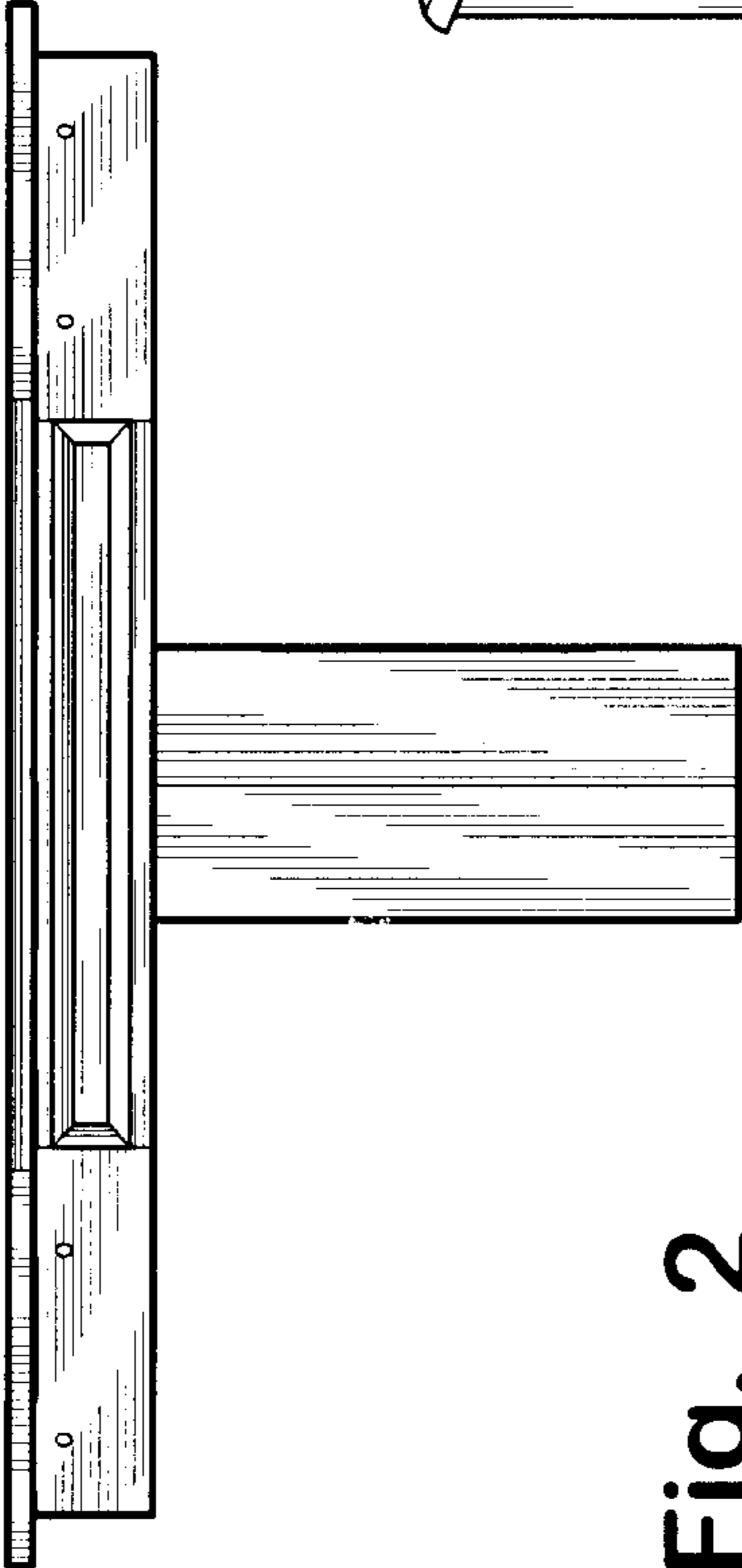


Fig. 2

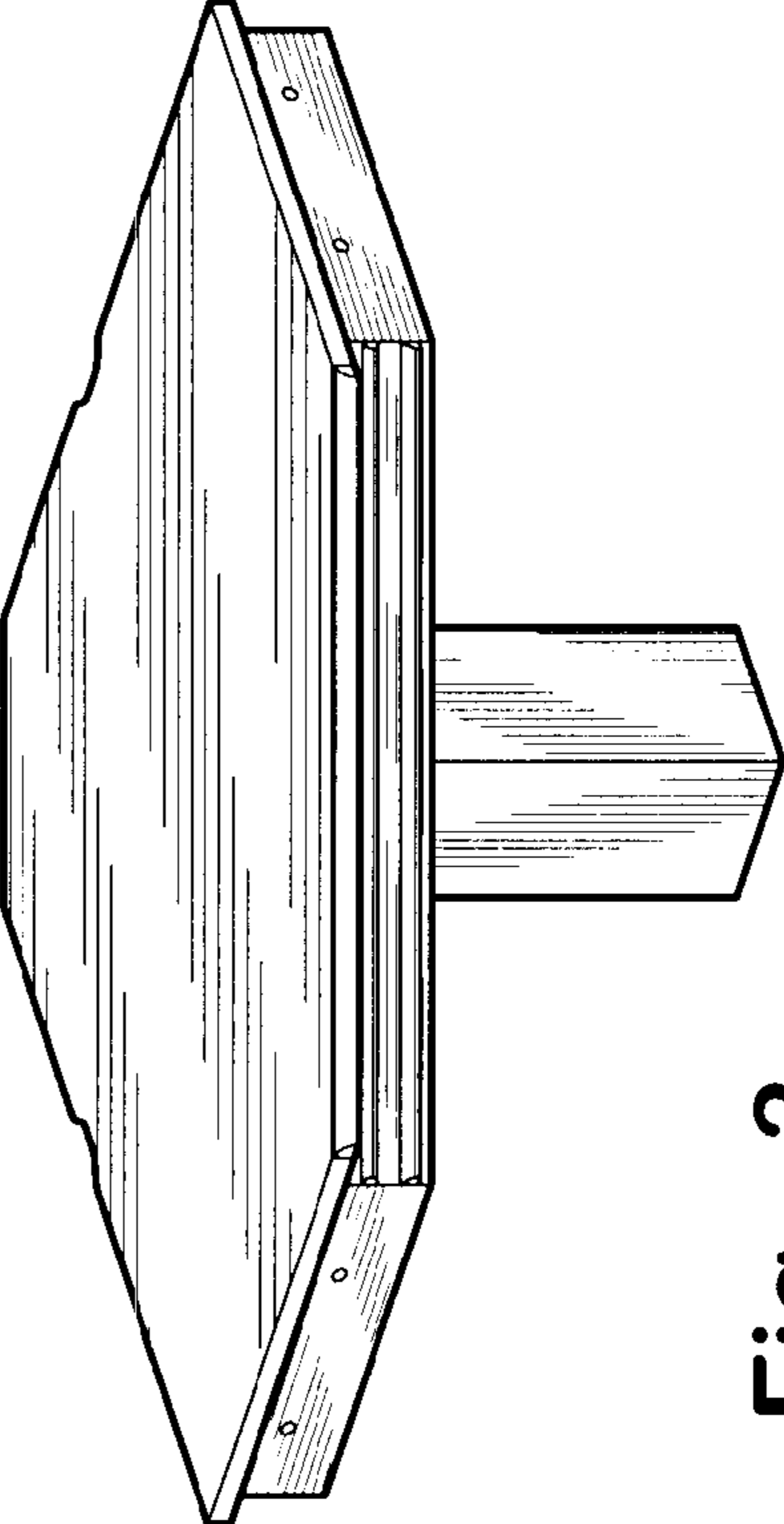


Fig. 3

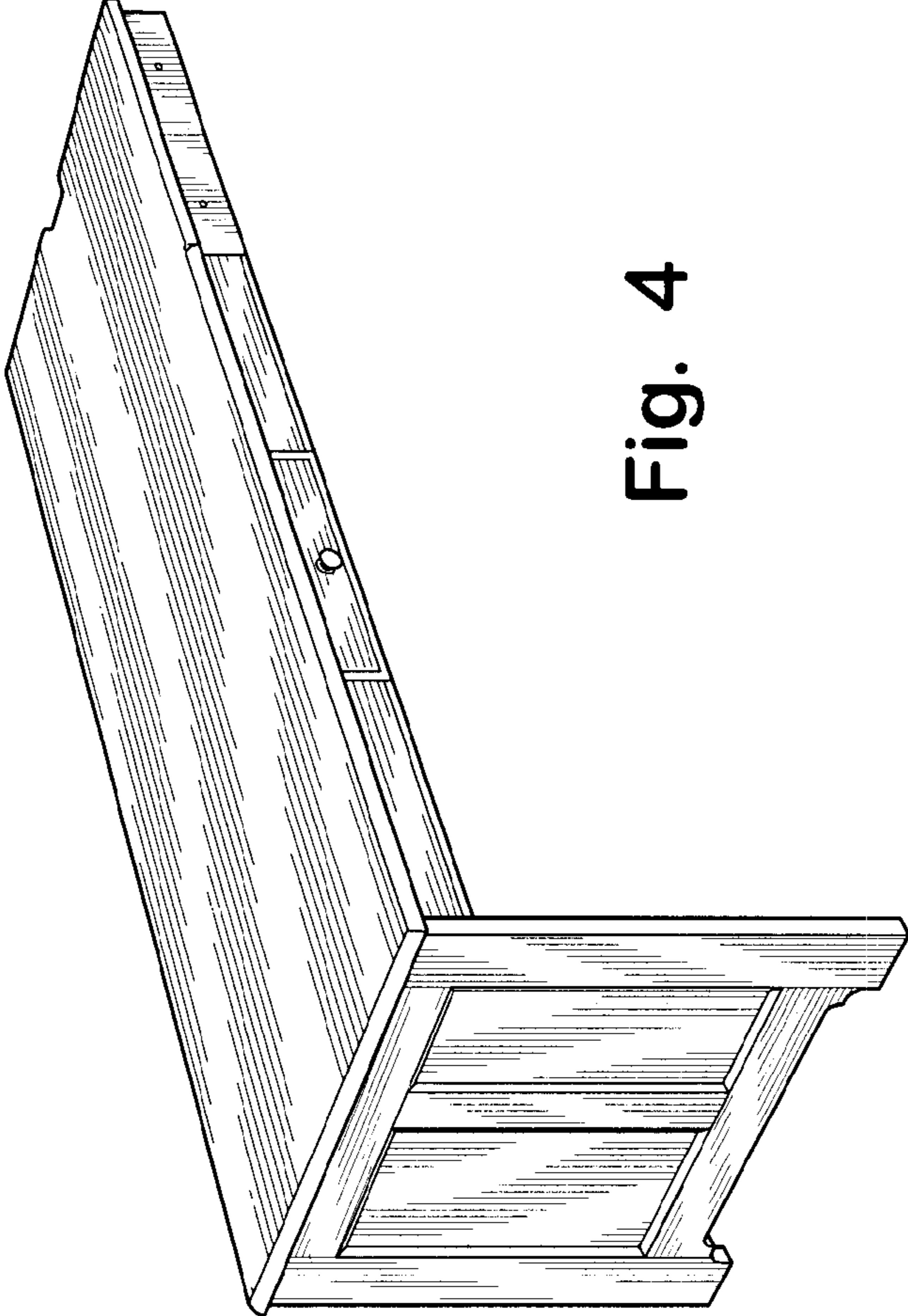


Fig. 4

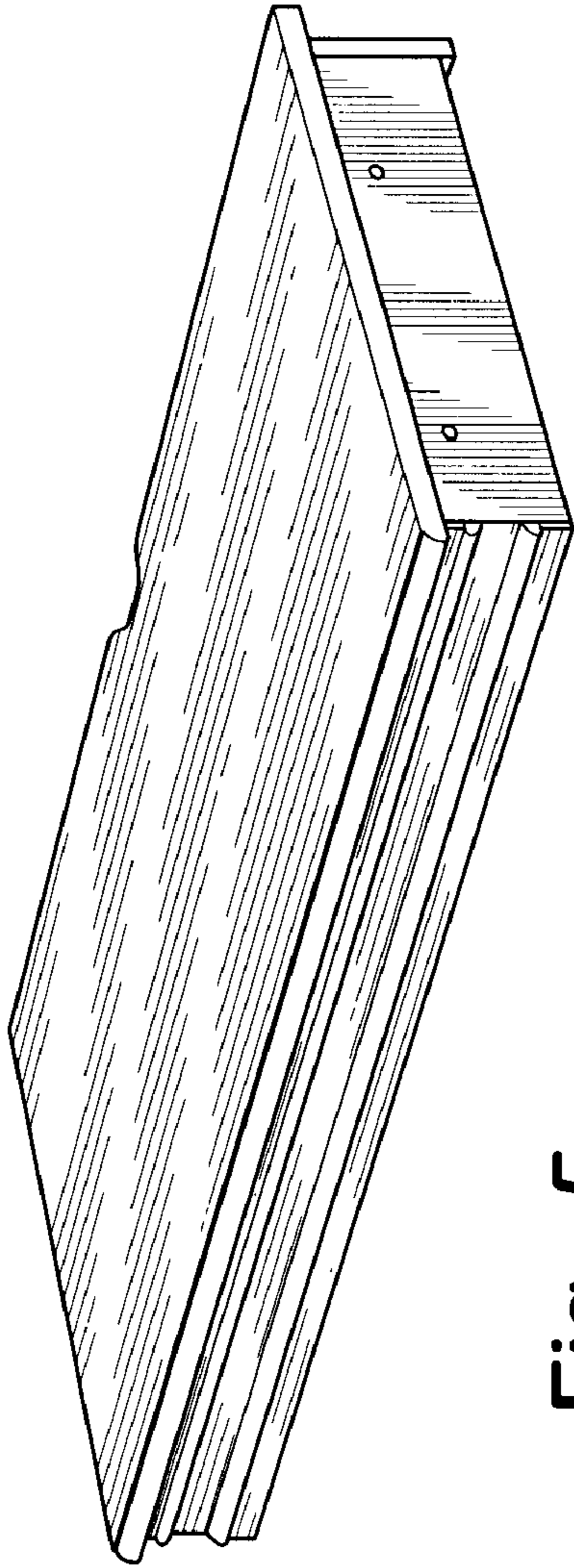


Fig. 5

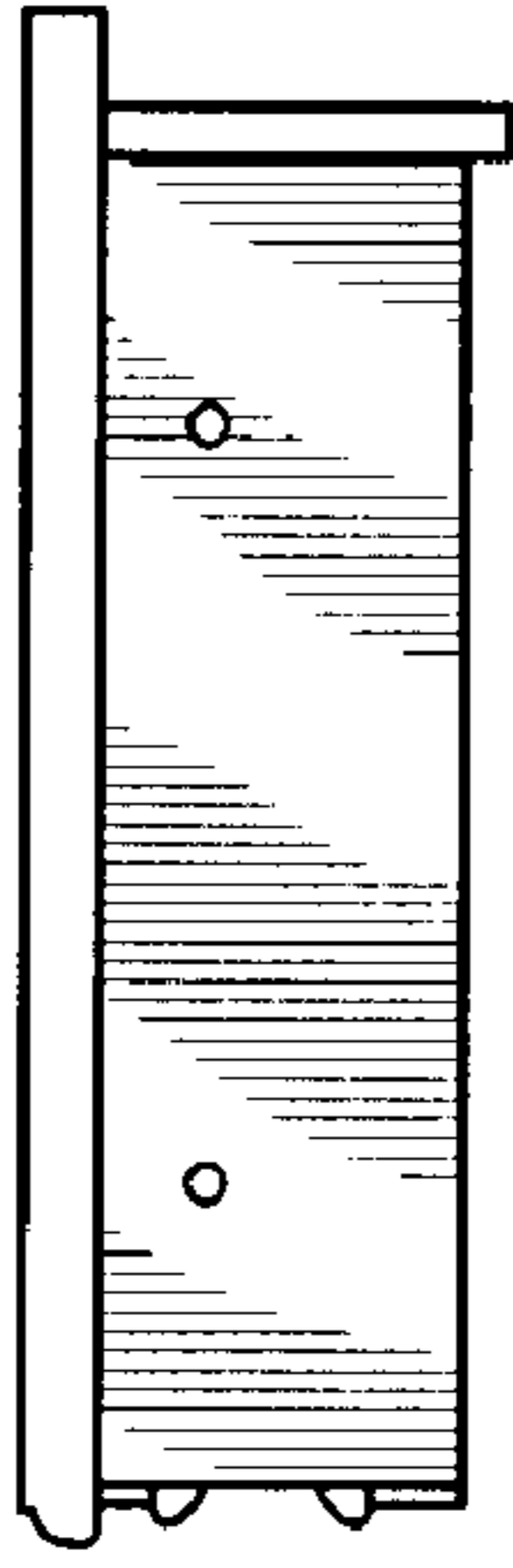


Fig. 7



Fig. 6

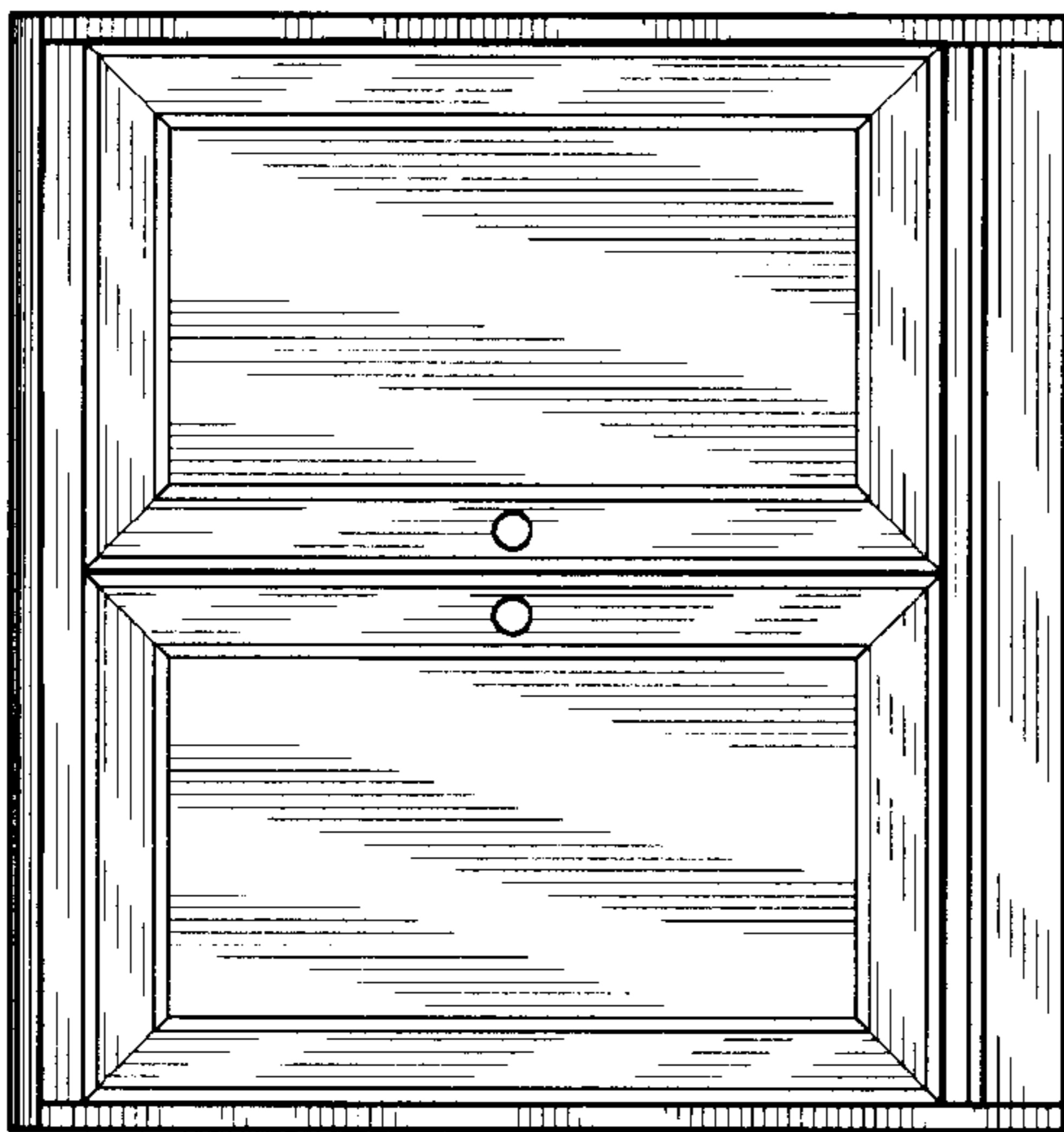


Fig. 9

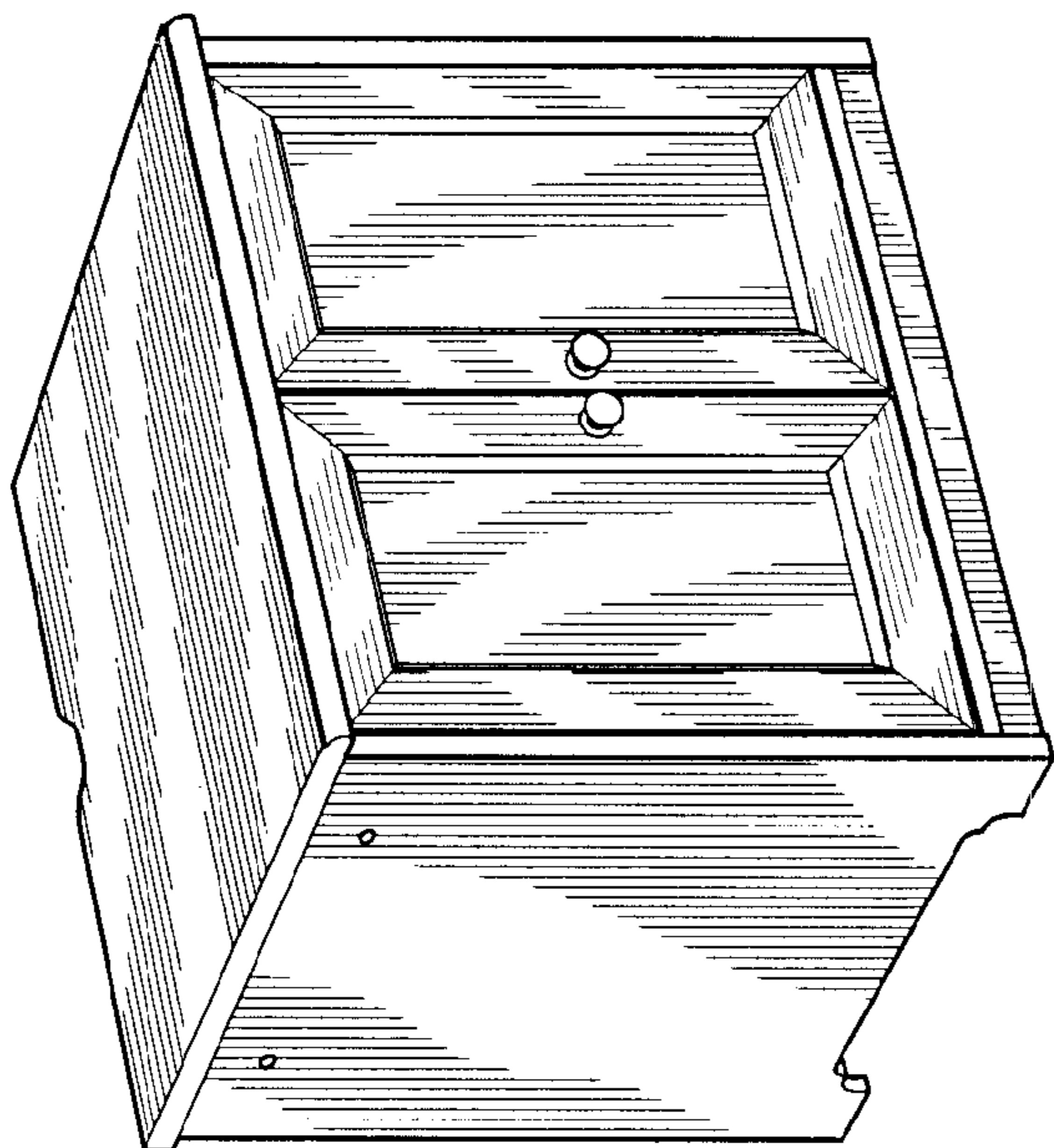


Fig. 8

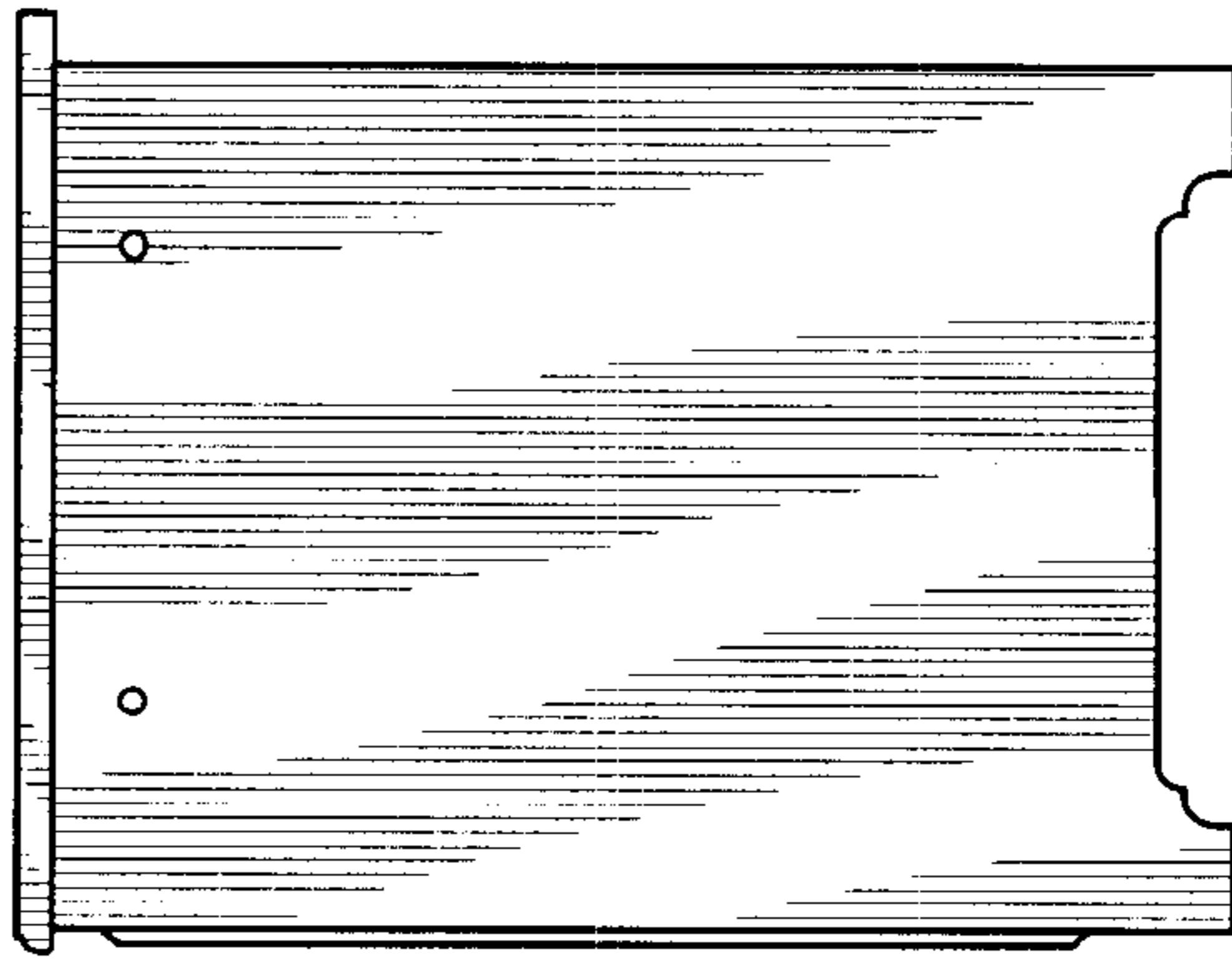


Fig. 10

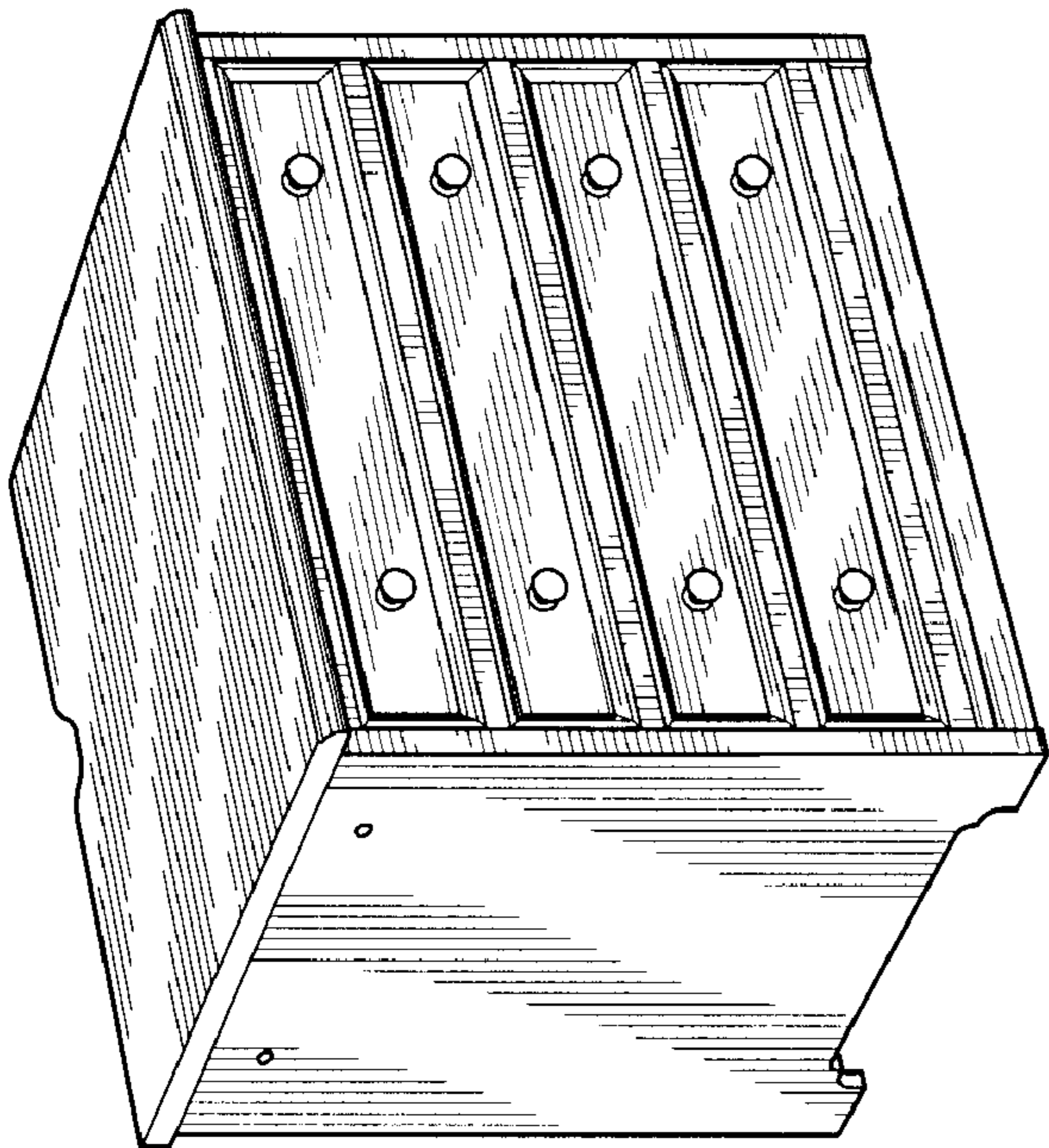


Fig. 11

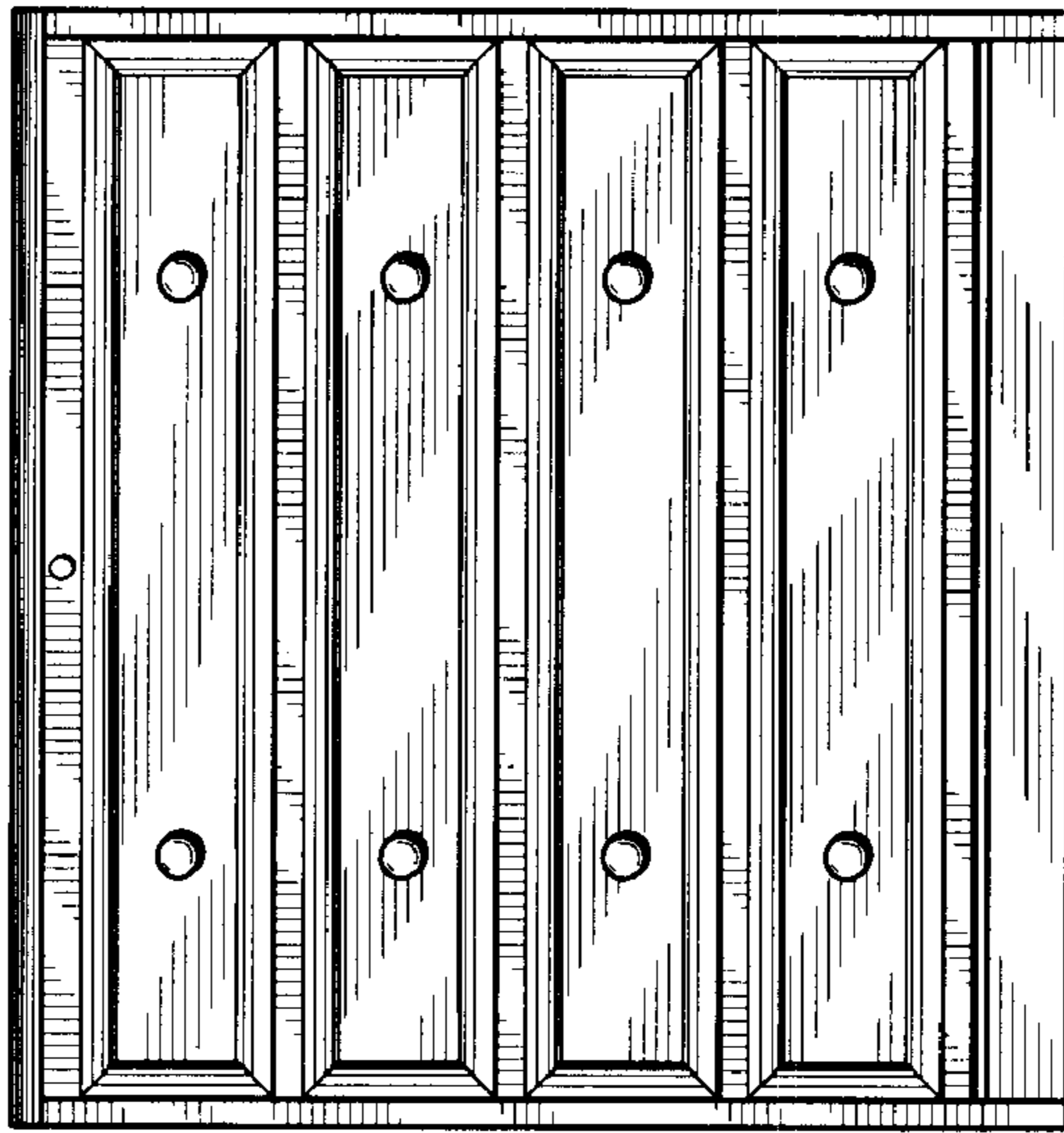


Fig. 12

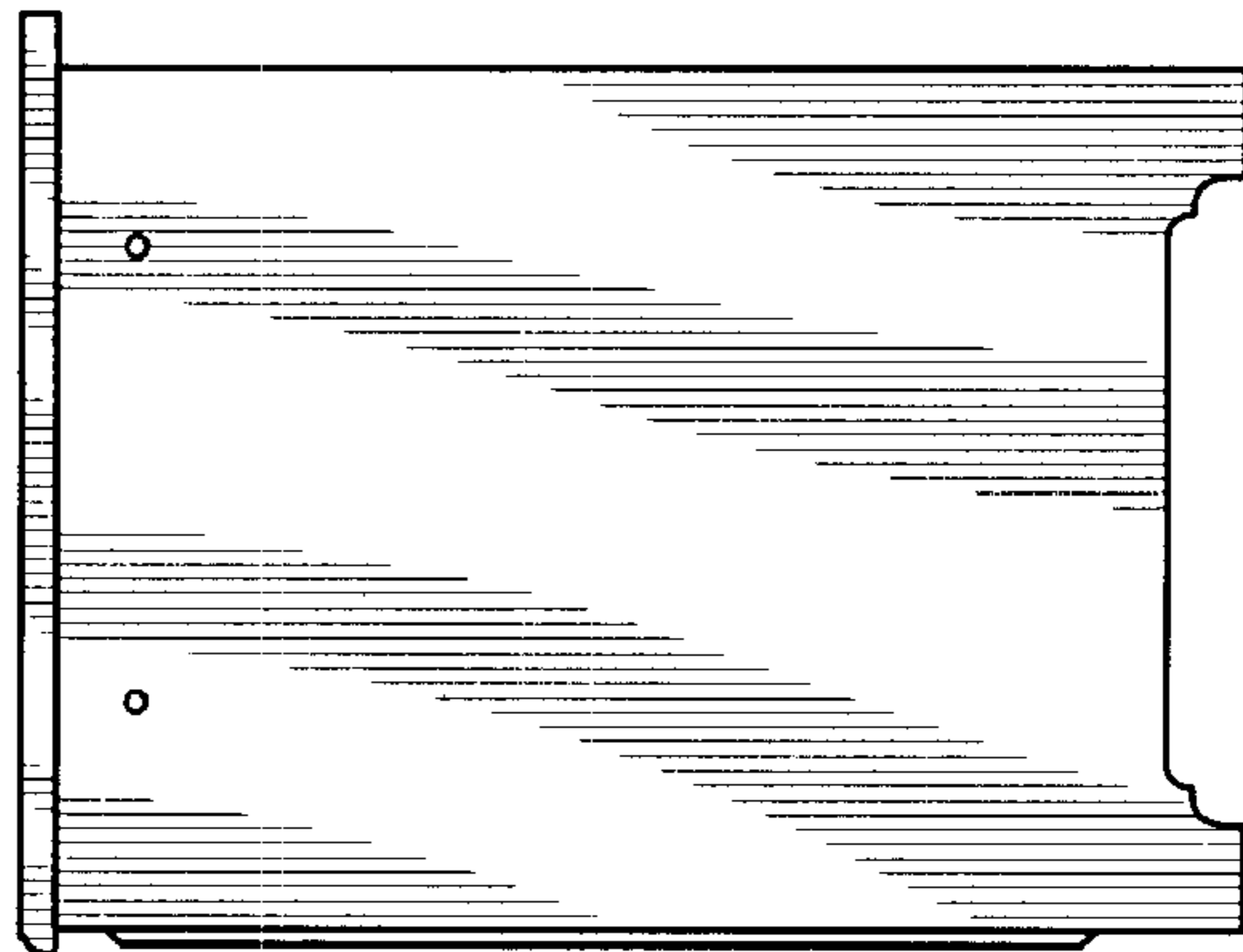


Fig. 13

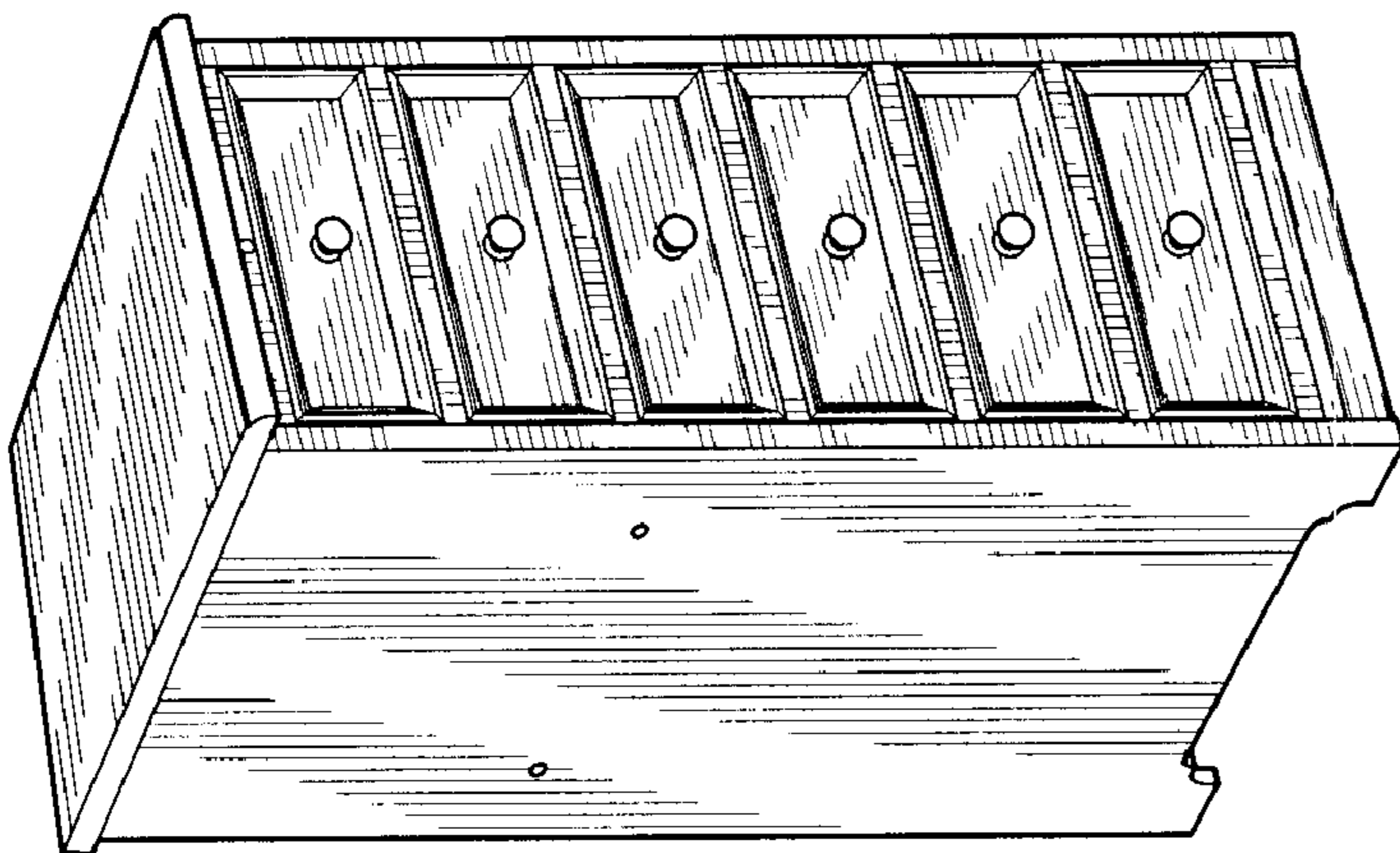


Fig. 14

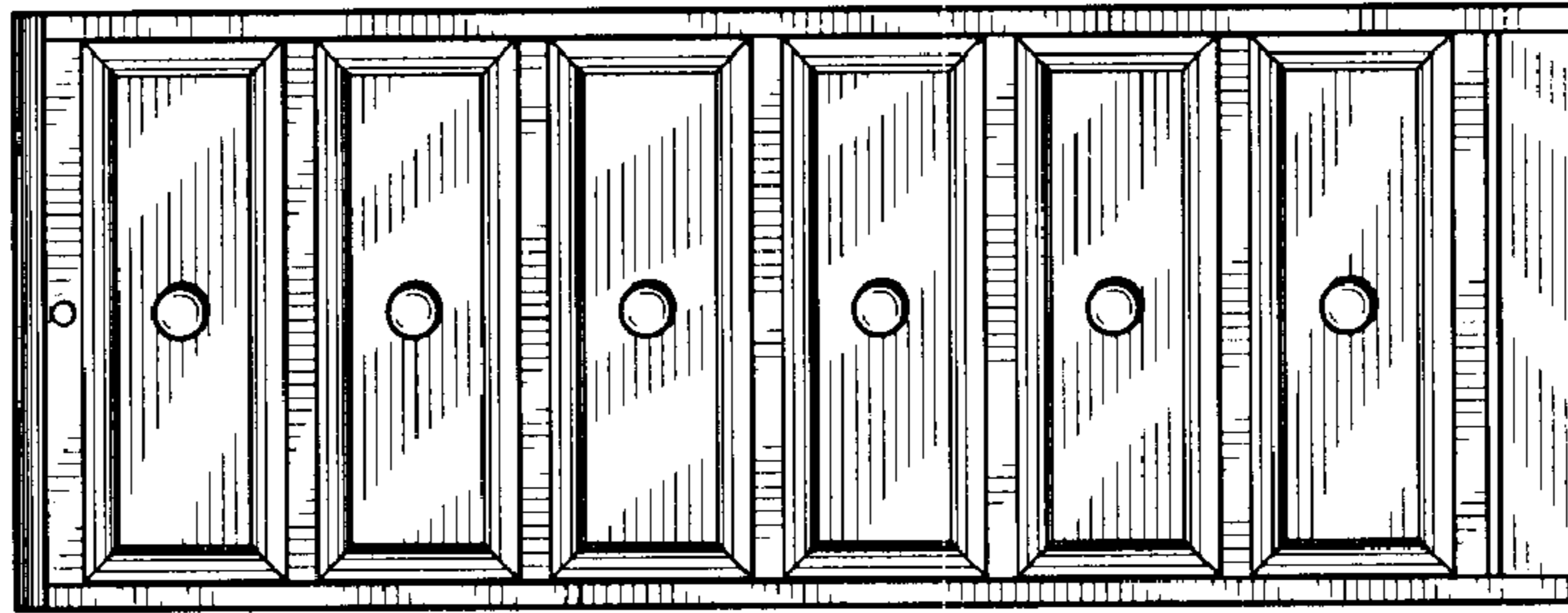


Fig. 15

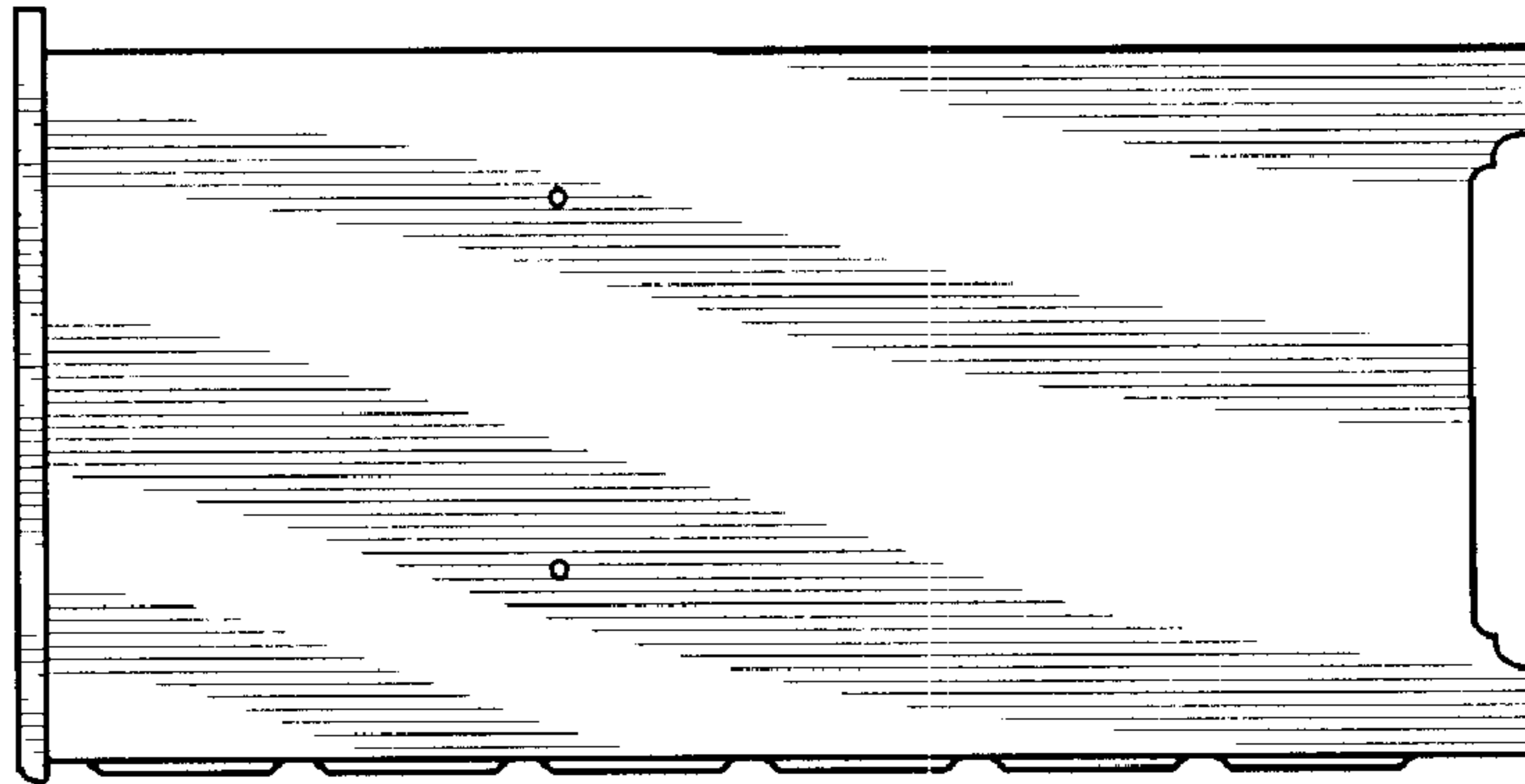


Fig. 16

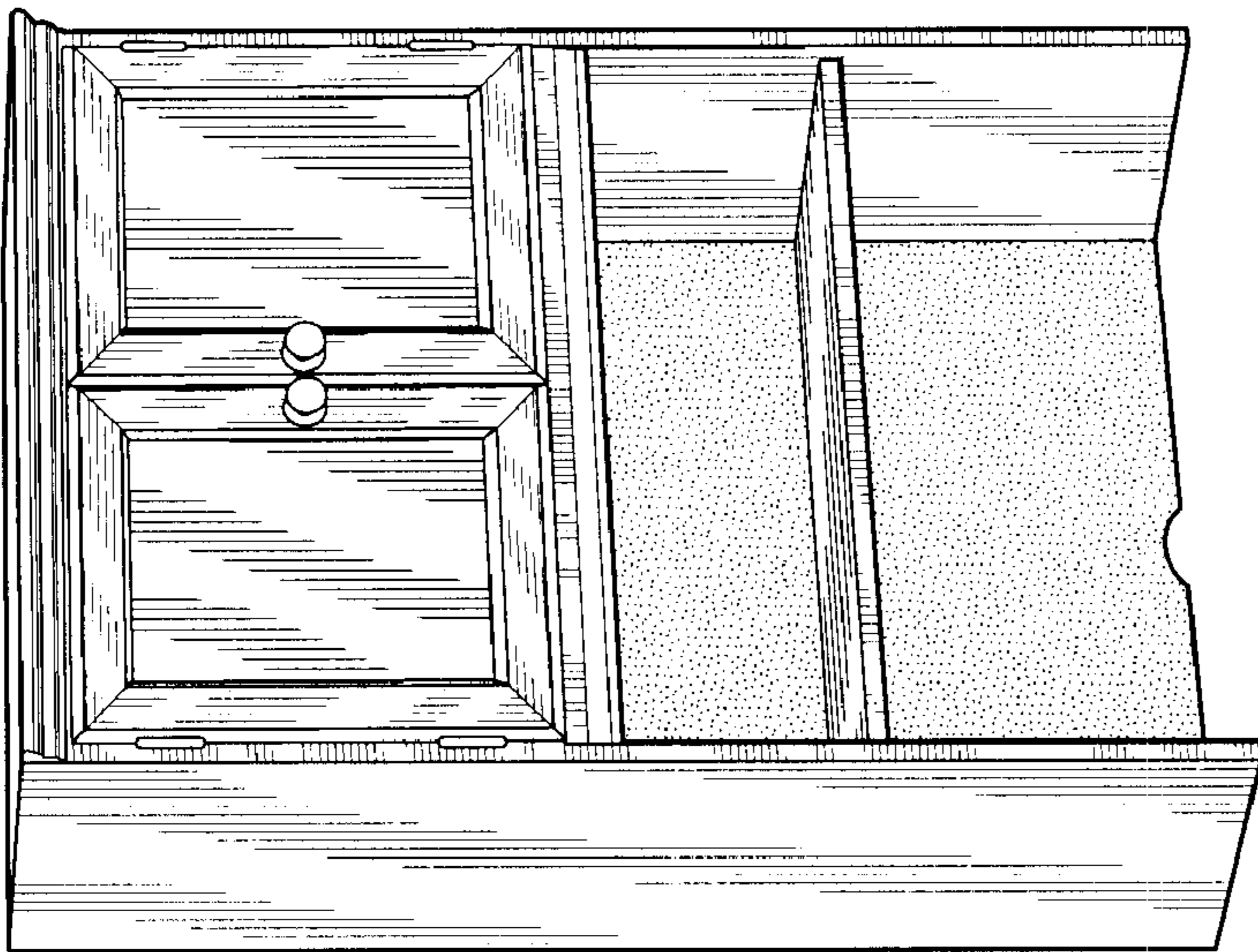


Fig. 17

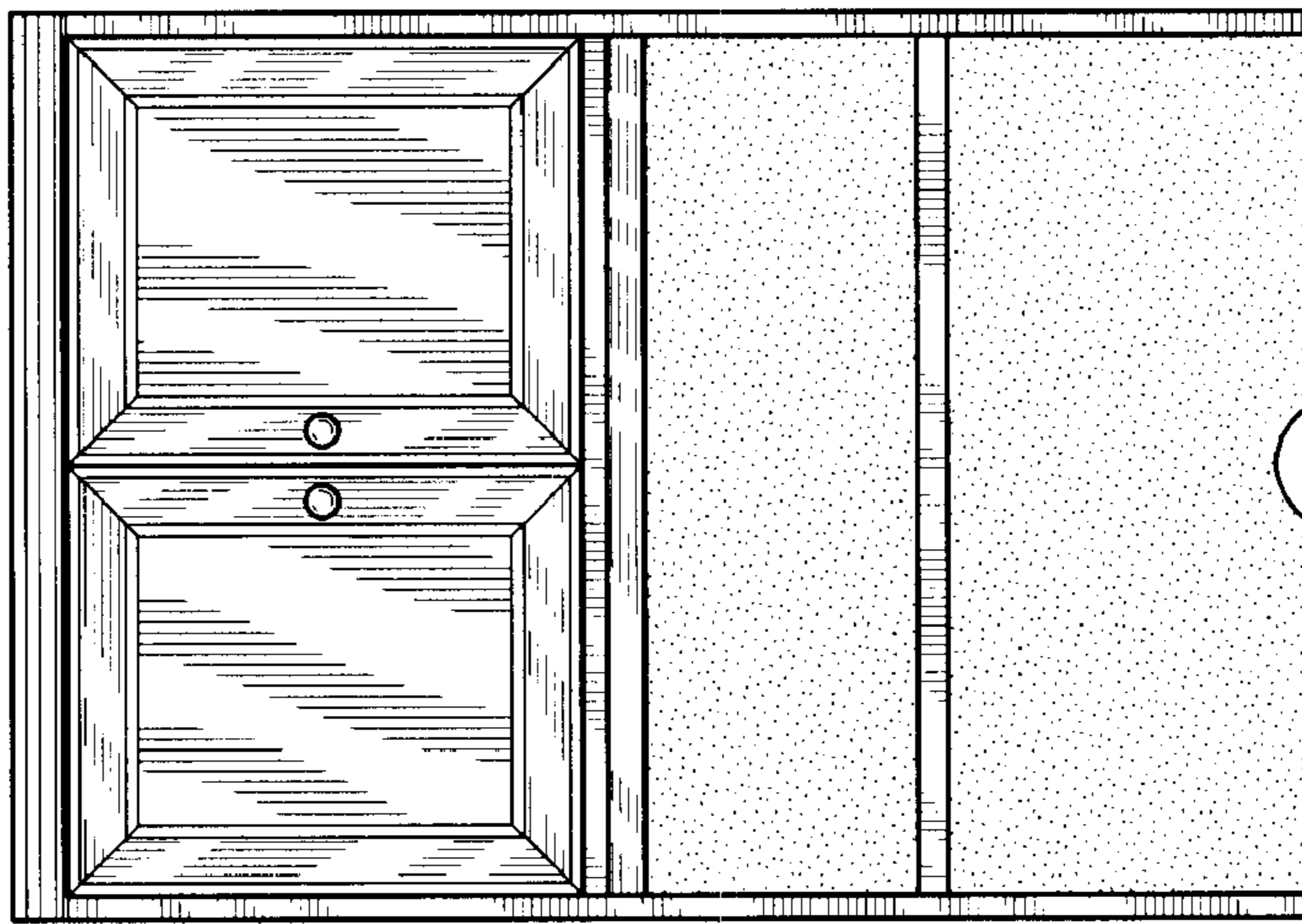


Fig. 18

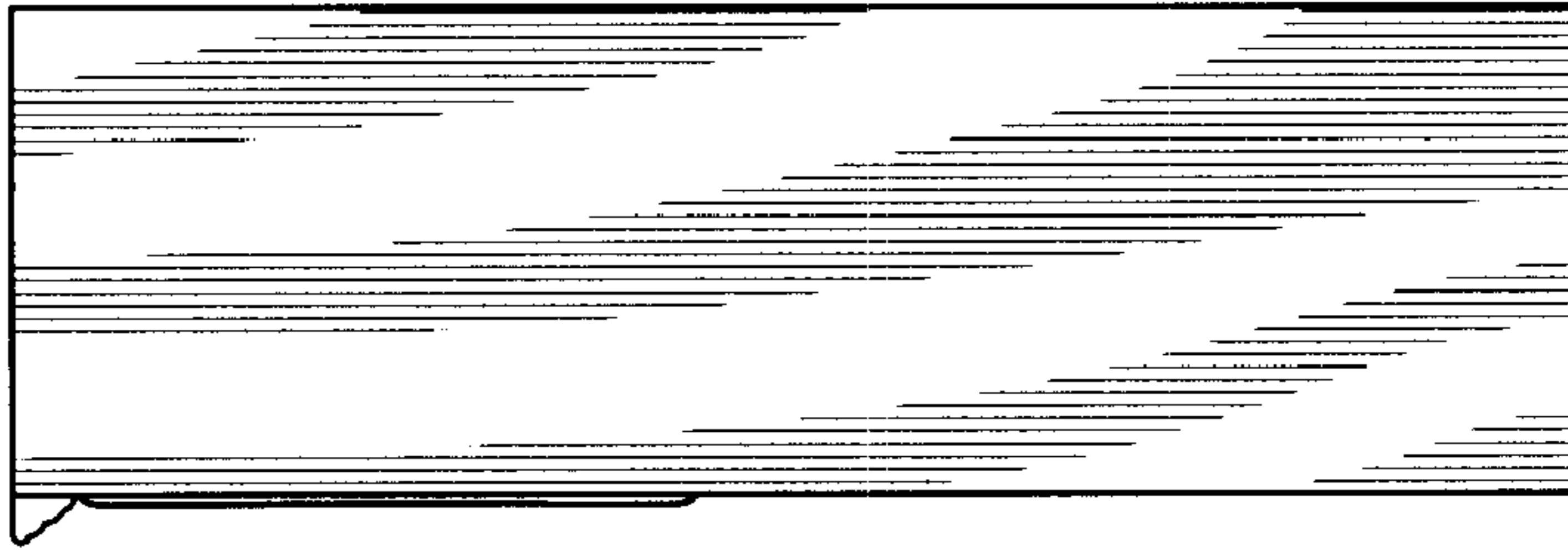


Fig. 19

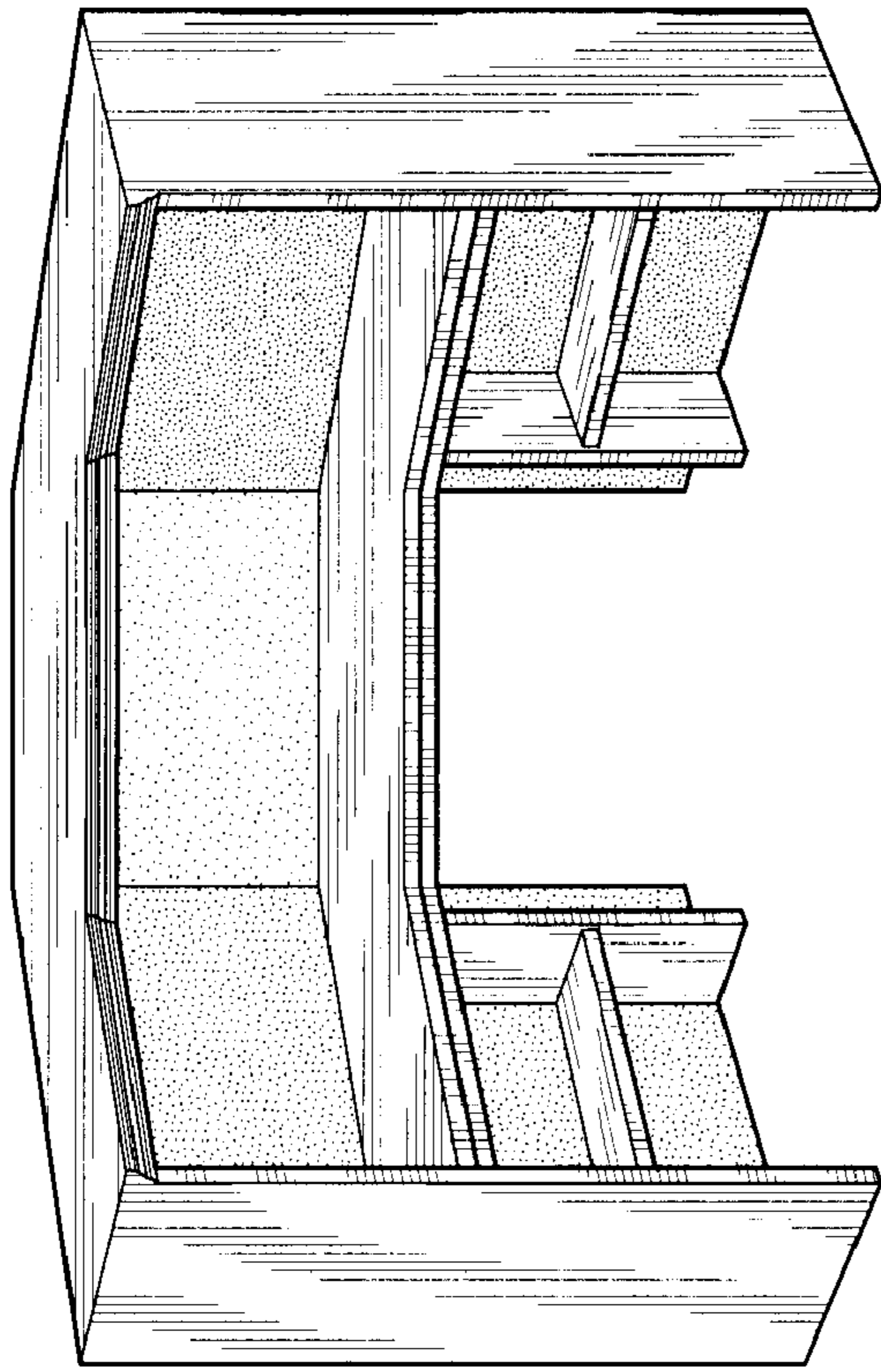


Fig. 20

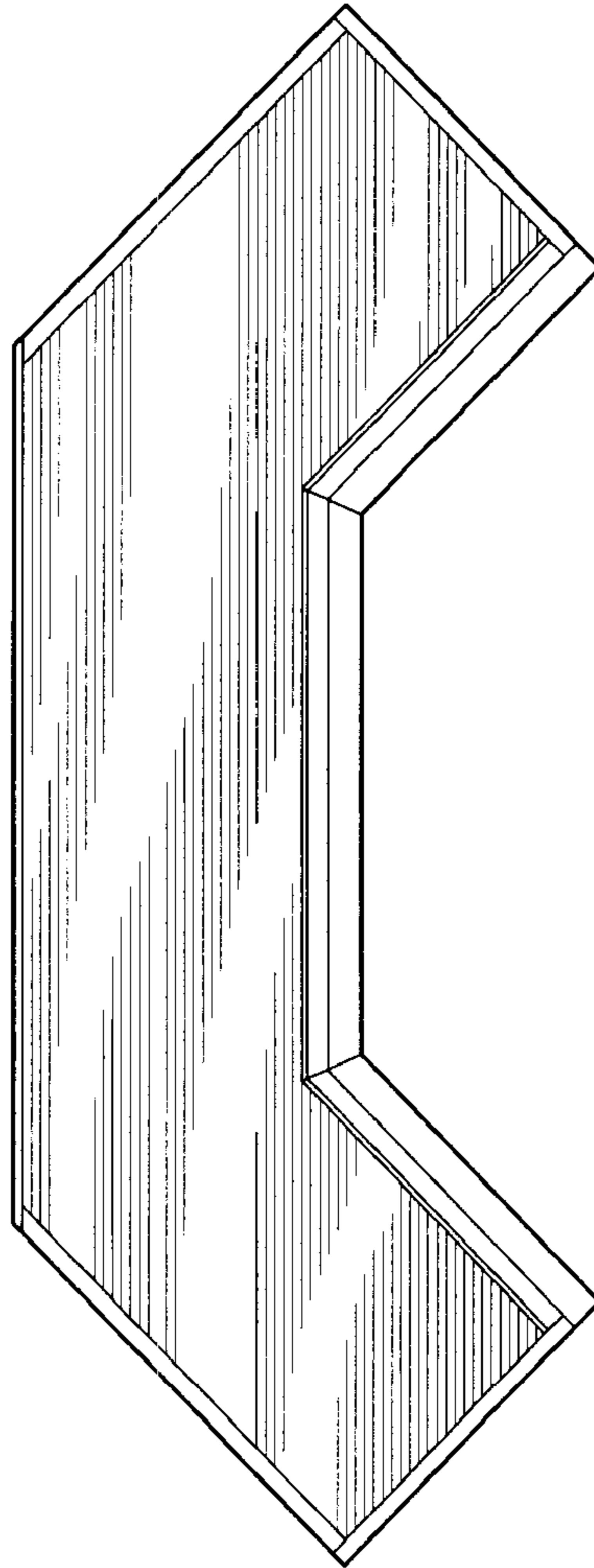


Fig. 21

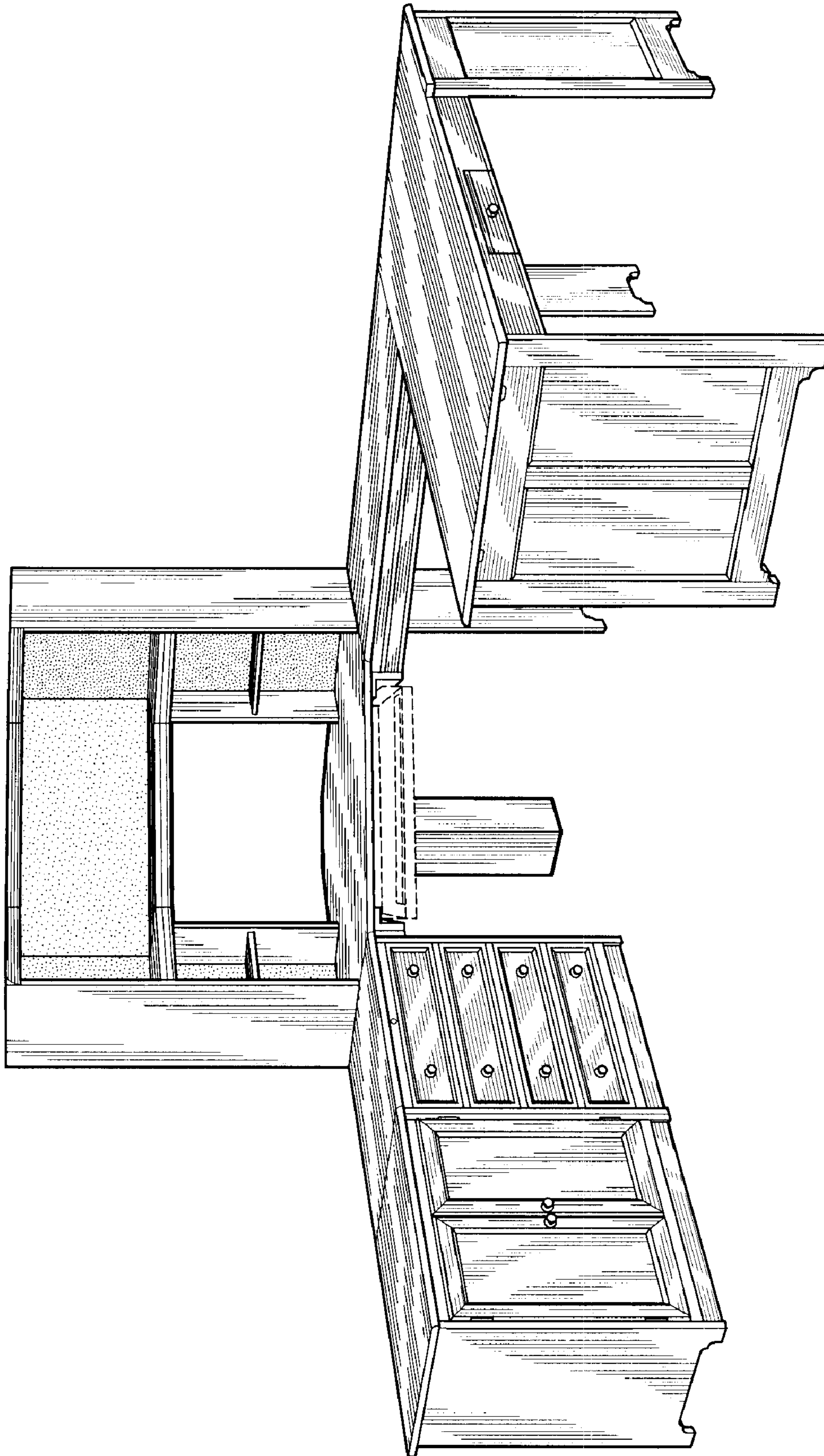


Fig. 22

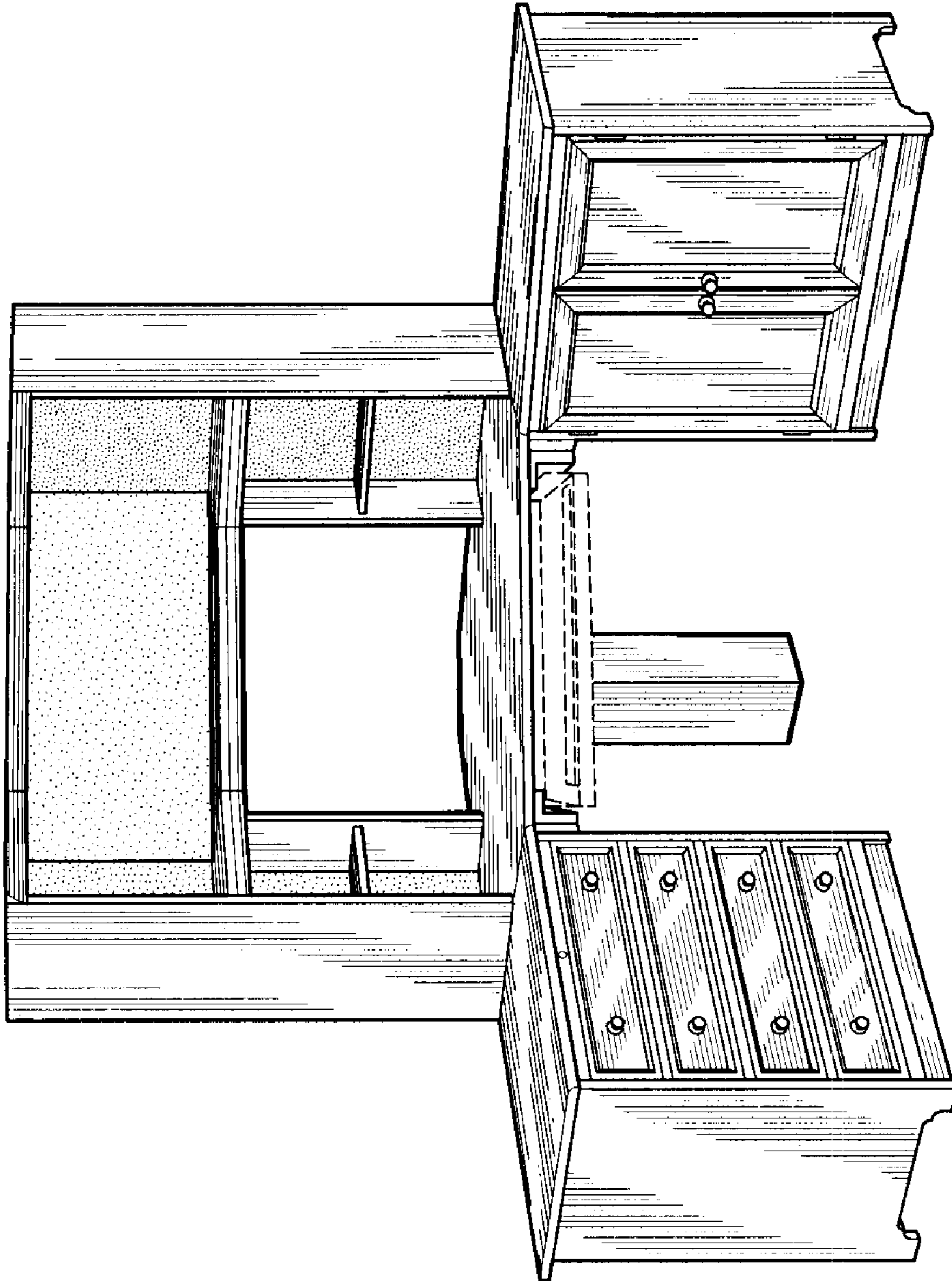


Fig. 23

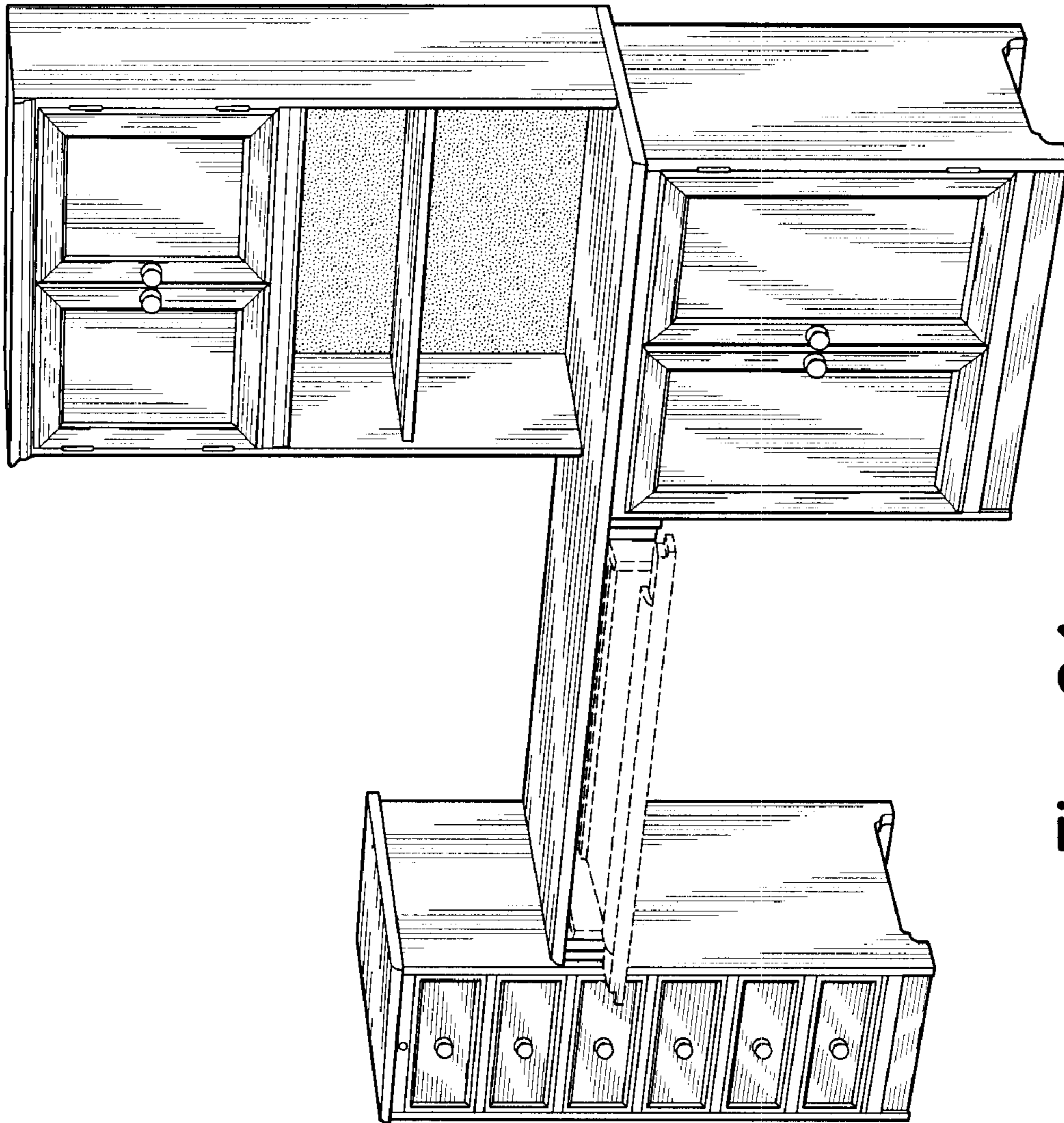


Fig. 24