



US00D518969S

(12) **United States Design Patent**
Mohundro

(10) **Patent No.:** **US D518,969 S**

(45) **Date of Patent:** **** Apr. 18, 2006**

(54) **LIVING ROOM CHAIR**

(75) Inventor: **James Glenn Mohundro**, Taichung (TW)

(73) Assignee: **Pacific Marketing International (H.K.), Ltd.**, Taichung (TW)

(**) Term: **14 Years**

(21) Appl. No.: **29/213,670**

(22) Filed: **Sep. 22, 2004**

(51) **LOC (8) Cl.** **06-01**

(52) **U.S. Cl.** **D6/379; D6/369; D6/380**

(58) **Field of Classification Search** D6/334,
D6/335, 369, 370, 374, 375, 379, 380, 381,
D6/500-502; 297/445.1, 446.1, 452.63, 452.64
See application file for complete search history.

(56) **References Cited**

U.S. PATENT DOCUMENTS

D52,363 S	*	8/1918	Wanner, Jr.	D6/369
D66,698 S	*	2/1925	McCargar	D6/379
D66,699 S	*	2/1925	McCargar	D6/379
D94,779 S	*	3/1935	McCargar	D6/379
D262,420 S	*	12/1981	Baxter	D6/381
D266,973 S	*	11/1982	Wilder	D6/381
D336,174 S	*	6/1993	Lamalle	D6/379
D369,919 S	*	5/1996	Lenger	D6/370
D376,051 S	*	12/1996	Lewis	D6/334

D395,174 S	*	6/1998	Diaz-Azcuy	D6/369
D418,319 S	*	1/2000	van Rhienen	D6/369
D419,321 S	*	1/2000	Rhienen	D6/369
D419,789 S	*	2/2000	Hand et al.	D6/369
D421,853 S	*	3/2000	Black	D6/369
D431,120 S	*	9/2000	Hazen et al.	D6/370
D453,426 S	*	2/2002	Juhasz	D6/379
D457,341 S	*	5/2002	Muller	D6/370
D459,904 S	*	7/2002	Hutton	D6/370
D466,320 S	*	12/2002	Tobin, Jr.	D6/379
D503,293 S	*	3/2005	Schmitt	D6/379

* cited by examiner

Primary Examiner—Mimosa De

(74) *Attorney, Agent, or Firm*—Rosenberg, Klein & Lee

(57) **CLAIM**

The ornamental design for a living room chair, as shown and described.

DESCRIPTION

FIG. 1 is a front perspective view of a living room chair, showing my new design;

FIG. 2 is a reduced front elevational view thereof;

FIG. 3 is a reduced rear elevational view thereof;

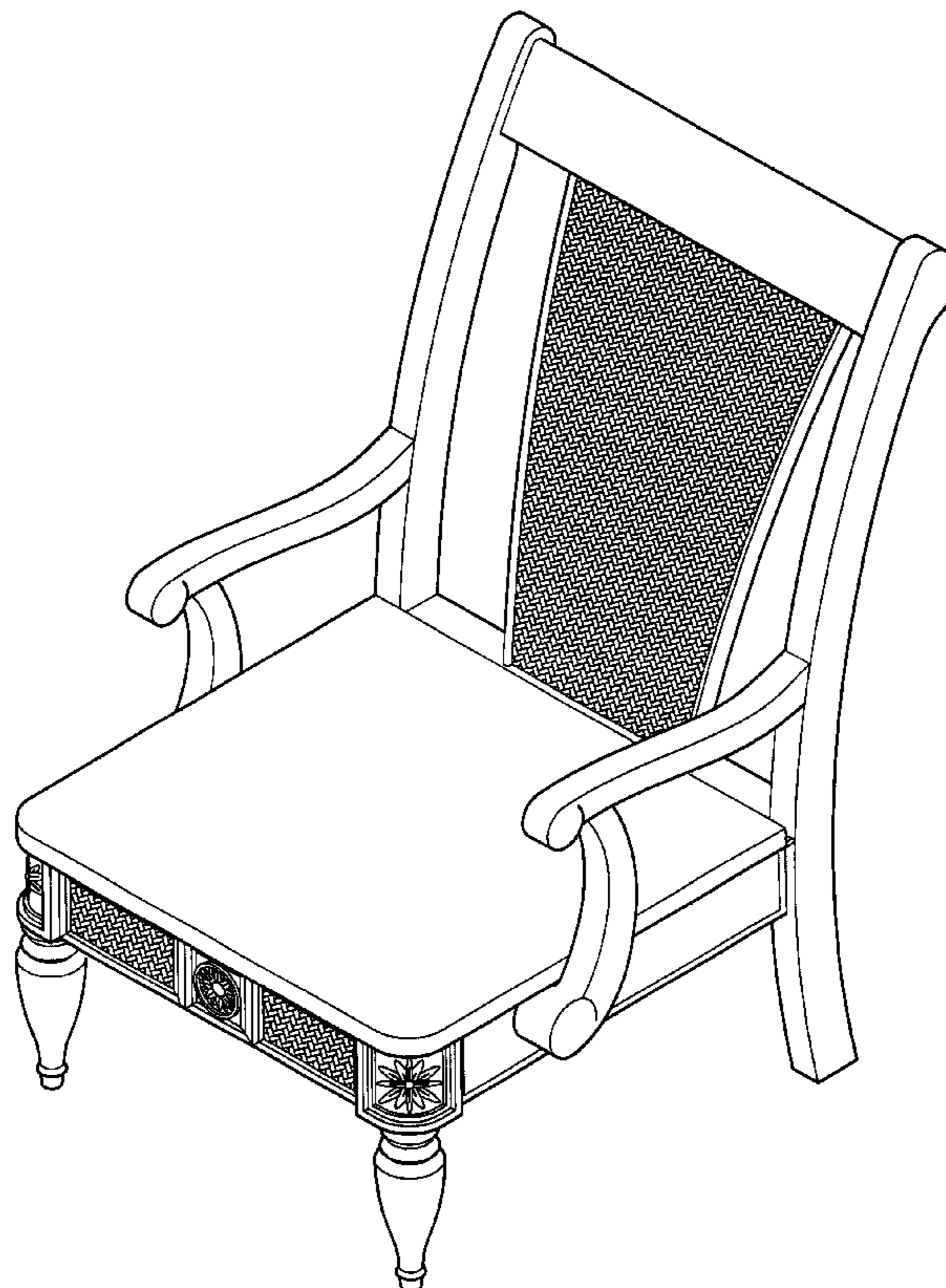
FIG. 4 is a reduced left elevational view thereof; and

FIG. 5 is a reduced right elevational view thereof;

FIG. 6 is a reduced top plan view thereof; and,

FIG. 7 is a reduced bottom plan view thereof.

1 Claim, 7 Drawing Sheets



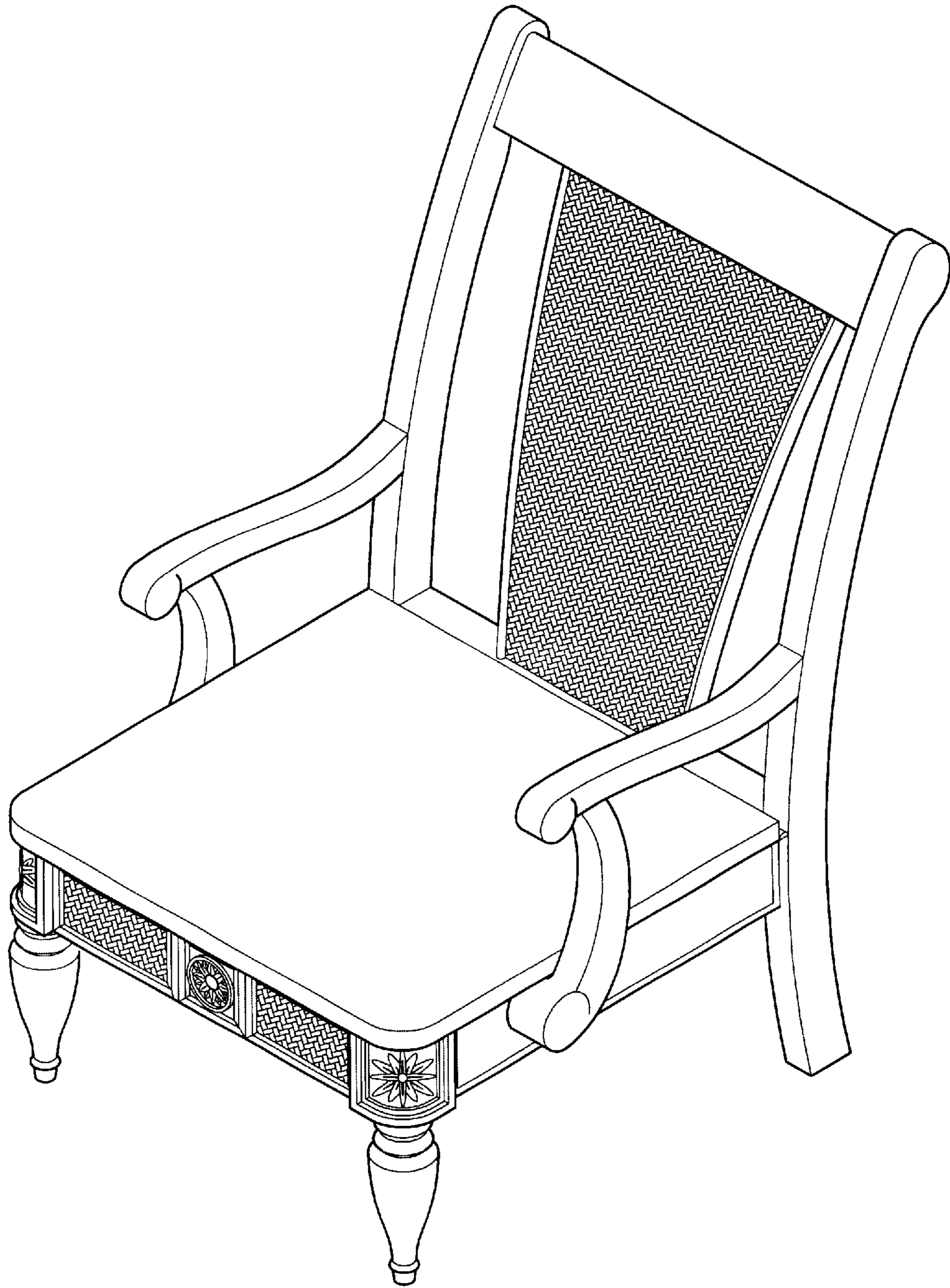


FIG. 1

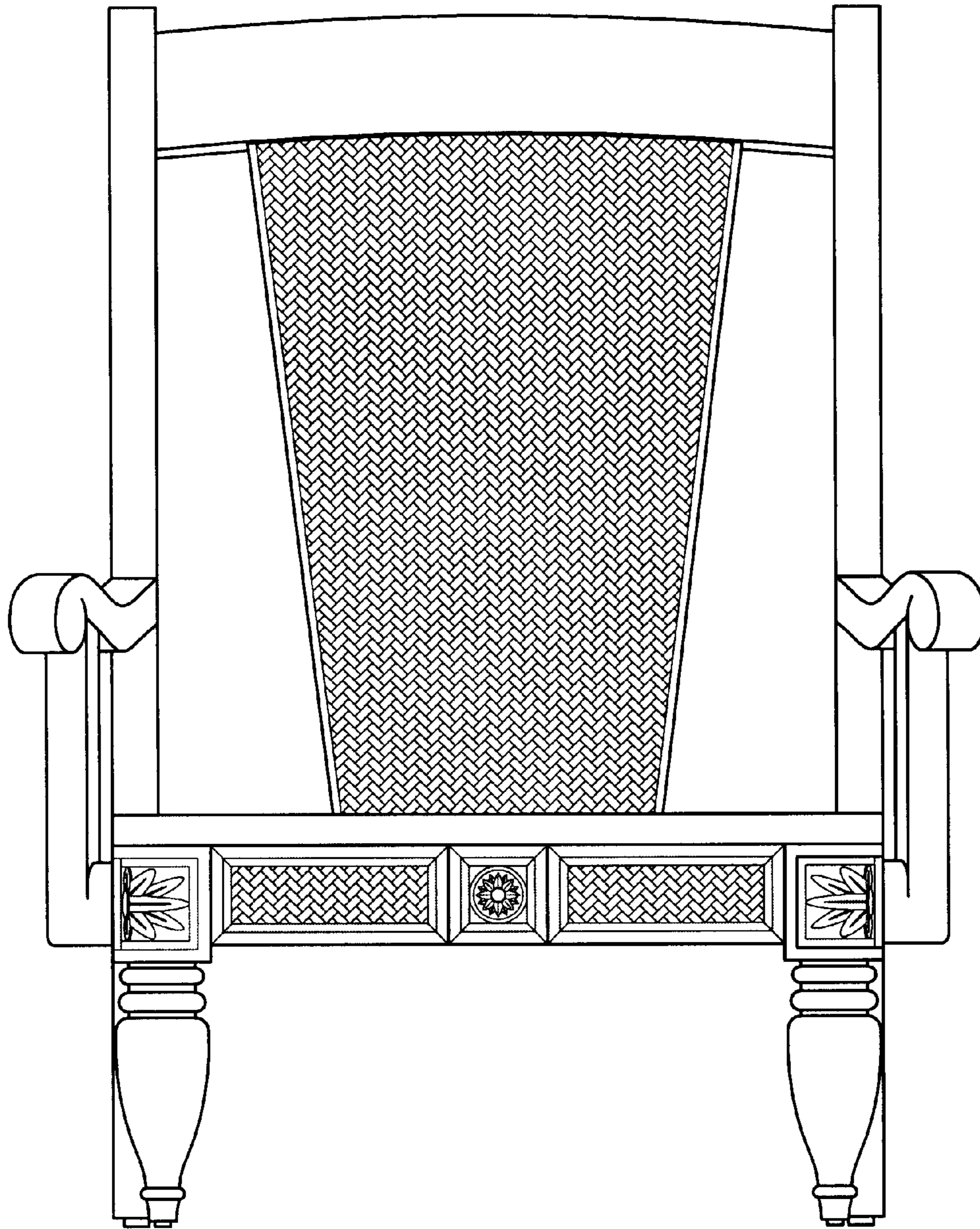


FIG.2

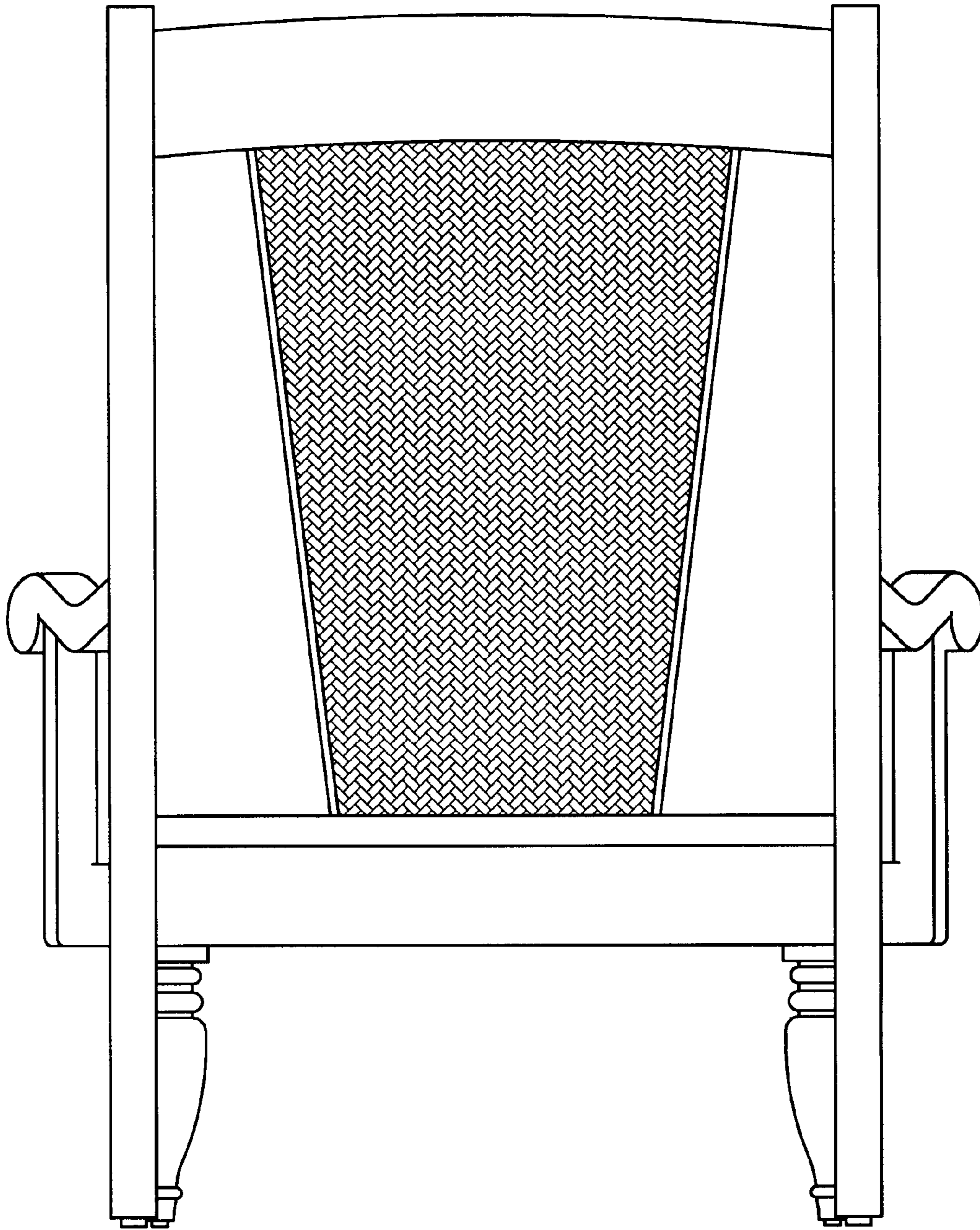


FIG.3

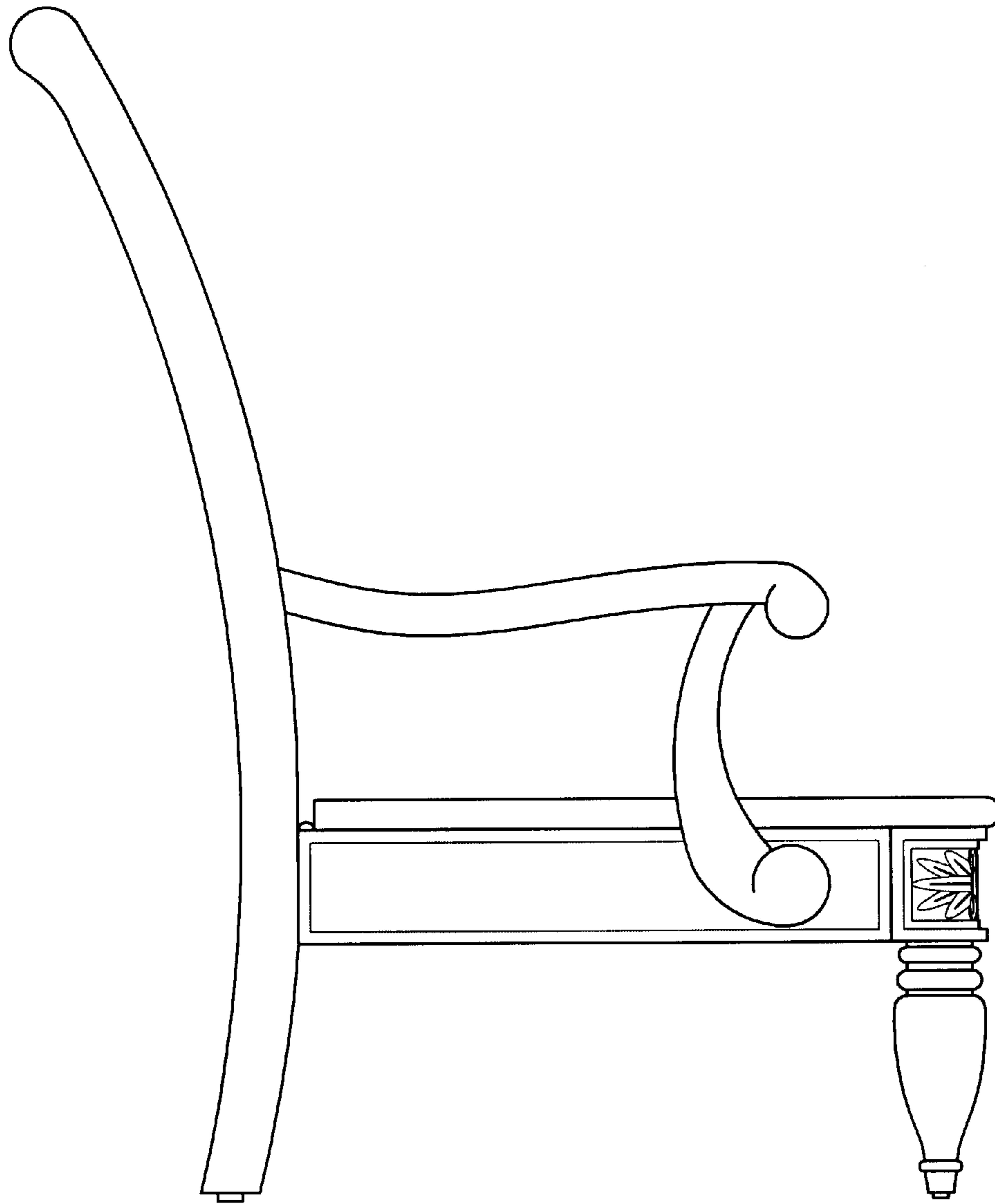


FIG.4

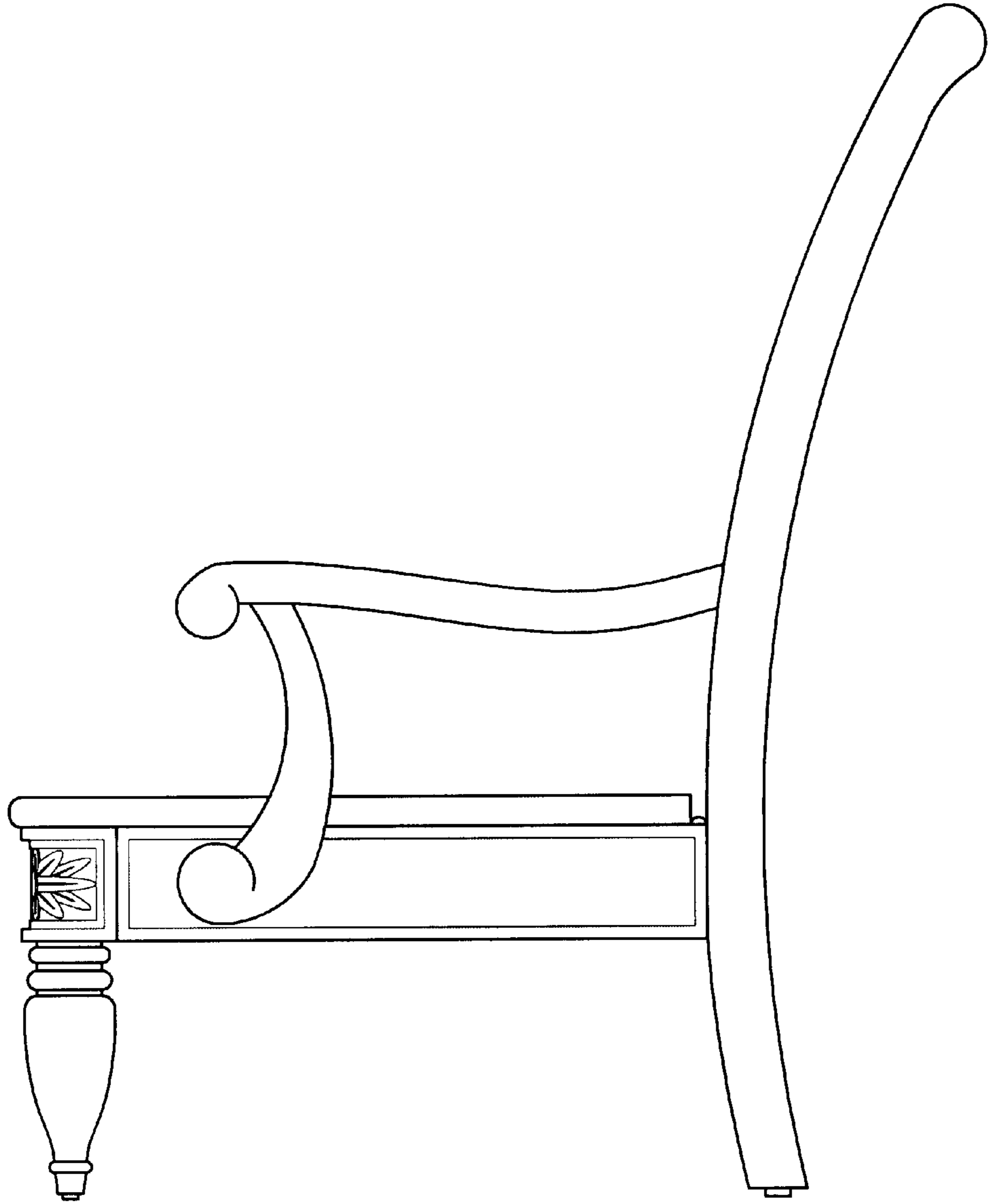


FIG.5

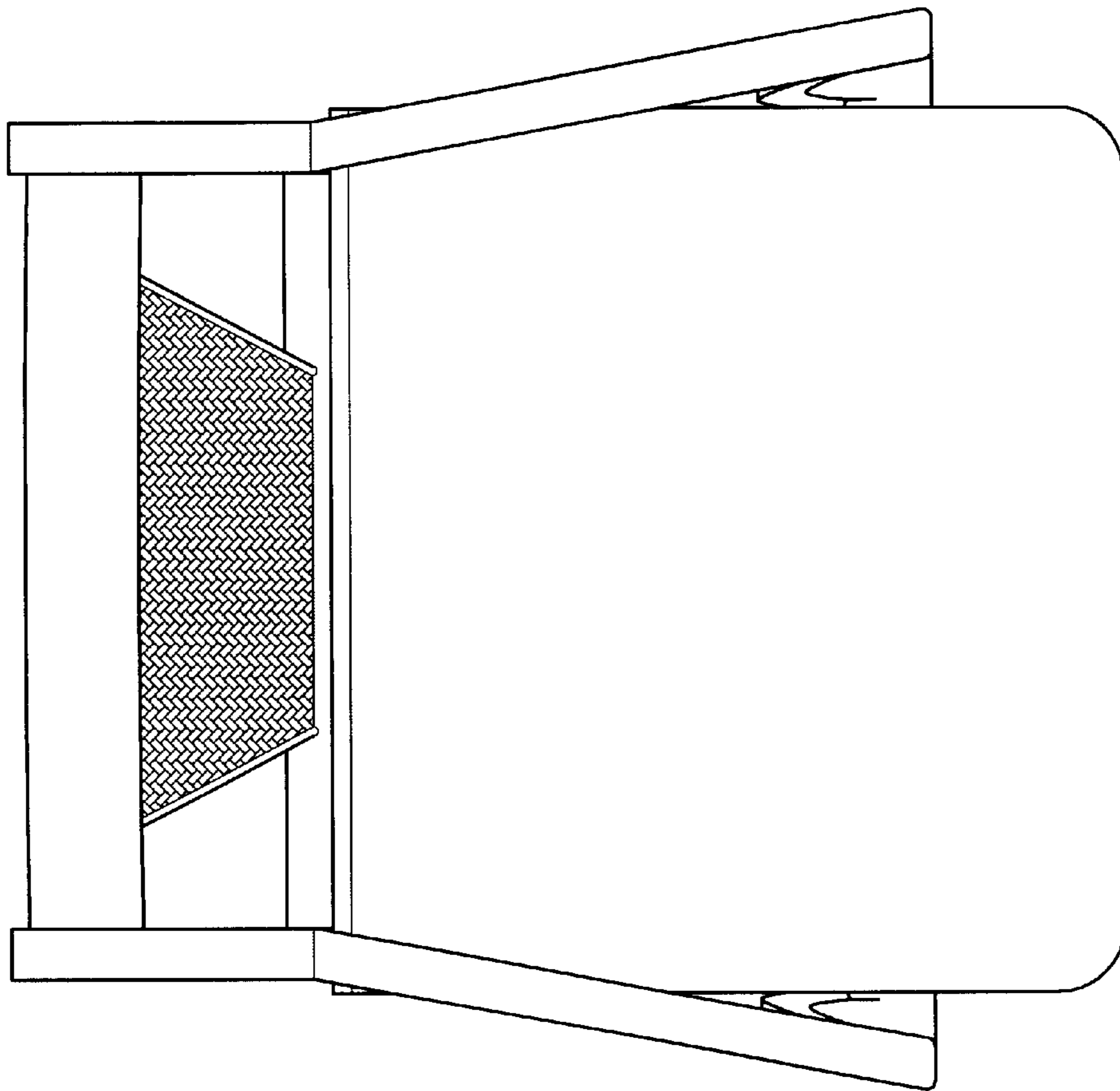


FIG.6

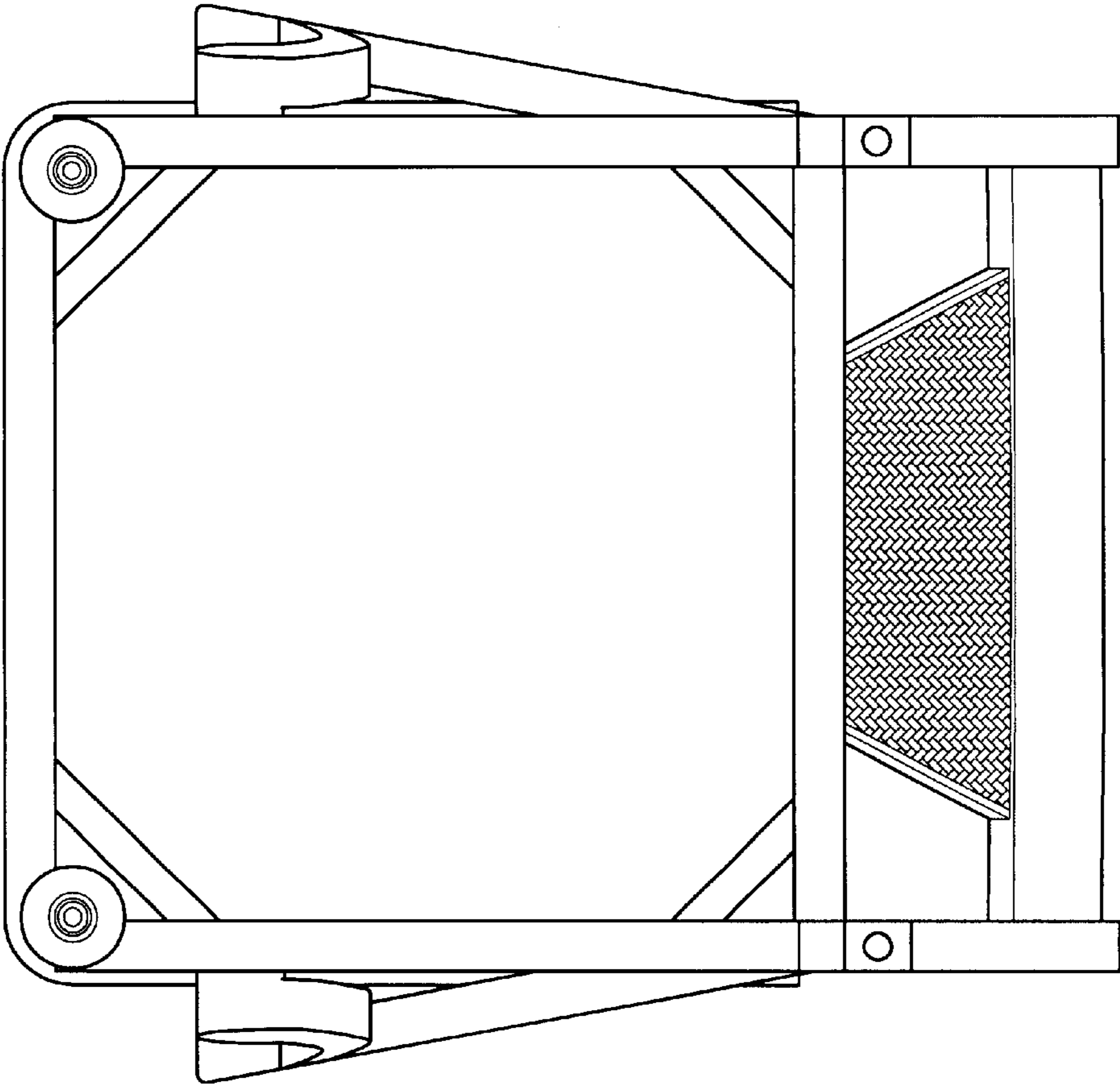


FIG.7