

US00D518967S

(12) **United States Design Patent**
Canna et al.

(10) **Patent No.:** **US D518,967 S**
(45) **Date of Patent:** **** Apr. 18, 2006**

(54) **INFANT SEAT**

(75) Inventors: **John S. Canna**, Orchard Park, NY (US); **Margo Block Moulin**, Getzville, NY (US); **Emily M. Peters**, Buffalo, NY (US); **Robert D. Piwko, Jr.**, Hamburg, NY (US); **Jennifer Schroth**, Buffalo, NY (US)

(73) Assignee: **Mattel, Inc.**, El Segundo, CA (US)

(**) Term: **14 Years**

(21) Appl. No.: **29/231,597**

(22) Filed: **Jun. 8, 2005**

Related U.S. Application Data

(62) Division of application No. 29/191,713, filed on Oct. 14, 2003.

(51) **LOC (8) Cl.** **06-01**

(52) **U.S. Cl.** **D6/333**

(58) **Field of Classification Search** D6/333, D6/356, 334, 335, 367, 344, 348, 374, 375, D6/361, 500-503, 601, 336, 365; 297/16.1, 297/32, 184.3, 488, 467, 250.1, 250, 258.1, 297/260.1, 270, 344.23, 229, 18, 344.21, 297/255, 374, 364, 451.3, DIG. 11, 440.11, 297/452.13, 440.15, 277, 452.34, 270.3, 297/411.38, 445.1, 411.32; D21/412; 5/105, 5/108, 109, 655

See application file for complete search history.

(56) **References Cited**

U.S. PATENT DOCUMENTS

D321,599 S * 11/1991 Takahashi et al. D6/333
5,460,430 A * 10/1995 Miga et al. 297/452.13

5,503,458 A * 4/1996 Petrie 297/452.13
5,916,089 A * 6/1999 Ive 5/655
6,341,816 B1 * 1/2002 Chen et al. 297/16.1
D459,136 S * 6/2002 Norman D6/611
D478,220 S * 8/2003 Chang D6/348
6,869,368 B1 * 3/2005 Clarke et al. 472/29

* cited by examiner

Primary Examiner—Janice E. Seeger

Assistant Examiner—Sydney R. Buffalow

(74) *Attorney, Agent, or Firm*—Edell, Shapiro & Finnan LLC

(57) **CLAIM**

The ornamental design for an infant seat, as shown and described.

DESCRIPTION

FIG. 1 is a perspective view of an infant seat, showing our new design;

FIG. 2 is a side perspective view of the infant seat of FIG. 1;

FIG. 3 is a rear perspective view of the infant seat of FIG. 1;

FIG. 4 is a left side view of the infant seat of FIG. 1;

FIG. 5 is a right side view of the infant seat of FIG. 1;

FIG. 6 is a left side view of the infant seat of FIG. 1, showing the rear leg retracting;

FIG. 7 is a top view of the infant seat of FIG. 1;

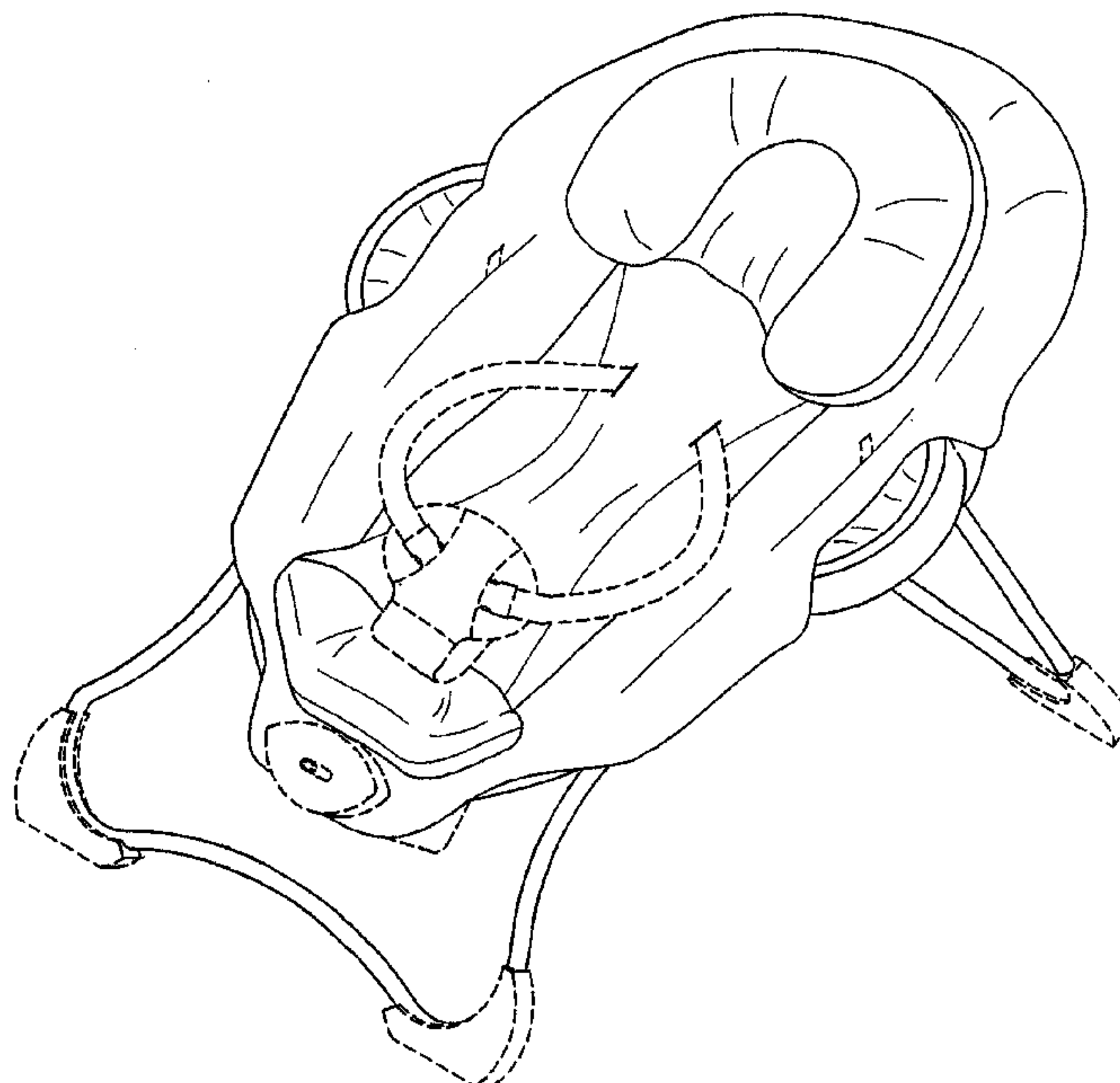
FIG. 8 is a bottom view of the infant seat of FIG. 1;

FIG. 9 is an elevated front view of the infant seat of FIG. 1; and,

FIG. 10 is an elevated rear view of the infant seat of FIG. 1.

The broken lines in the figures merely illustrate the environment for the infant seat of the present design and therefore form no part of the claimed design.

1 Claim, 5 Drawing Sheets



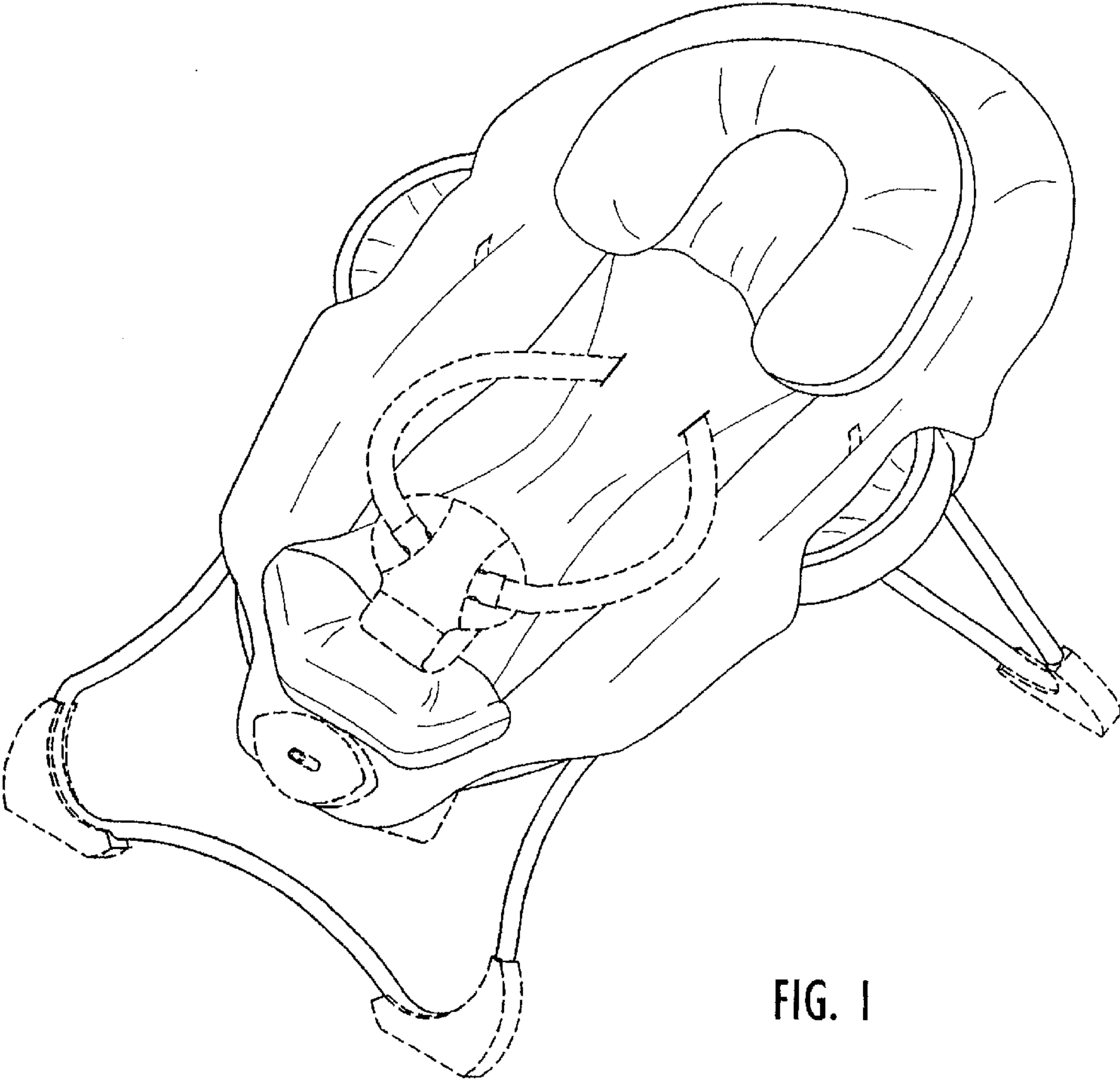


FIG. 1

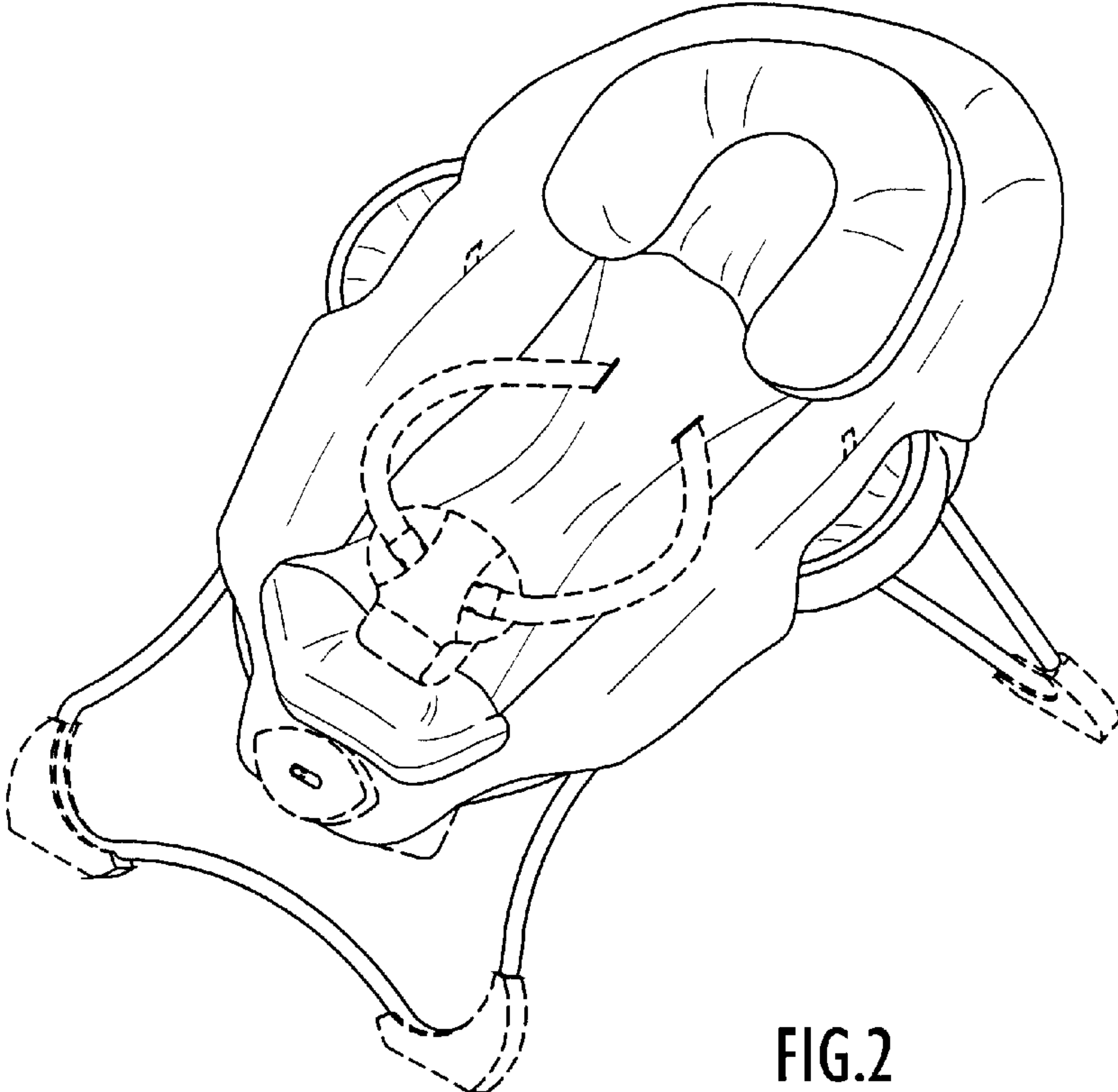


FIG. 2

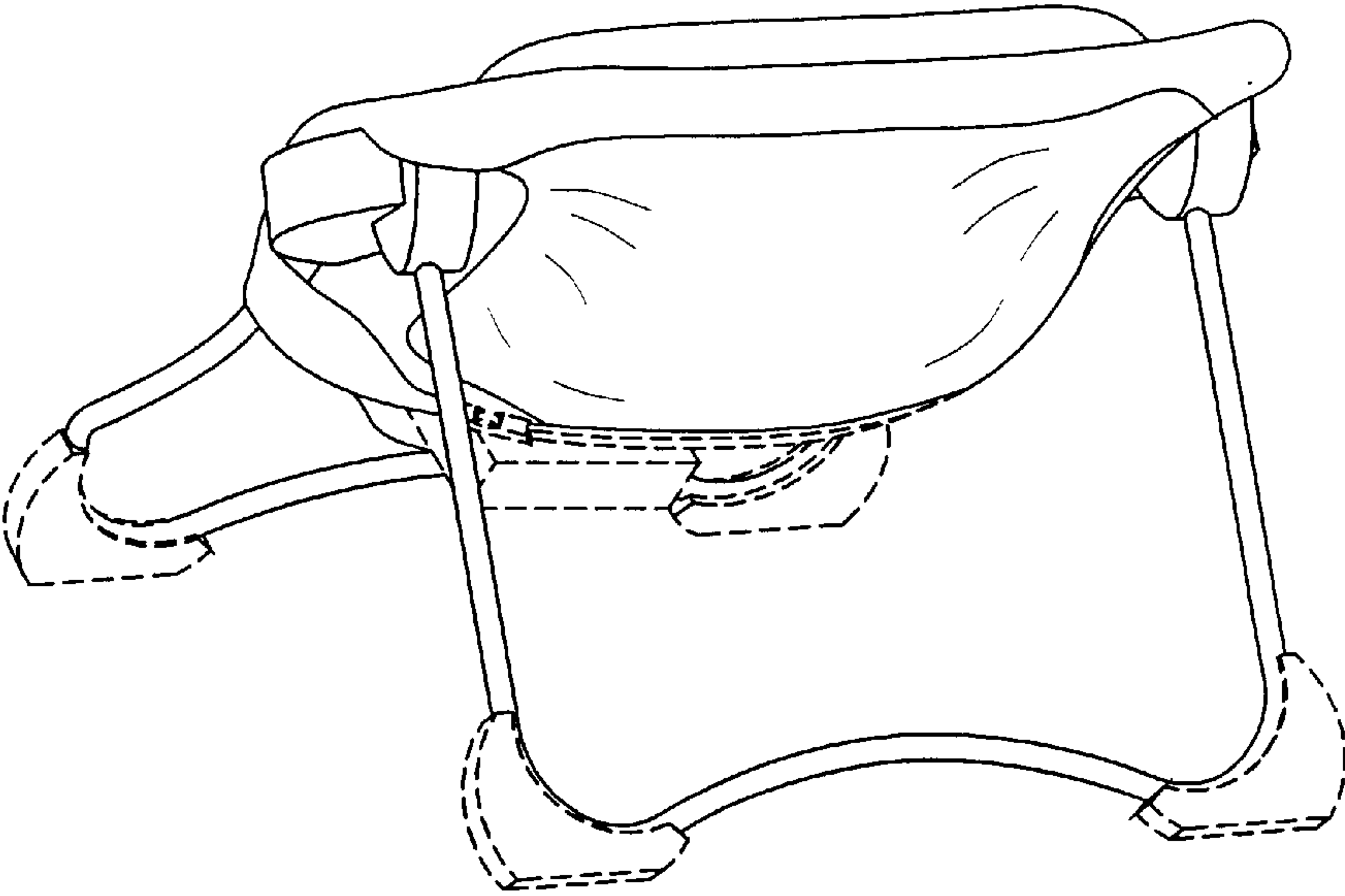


FIG. 3

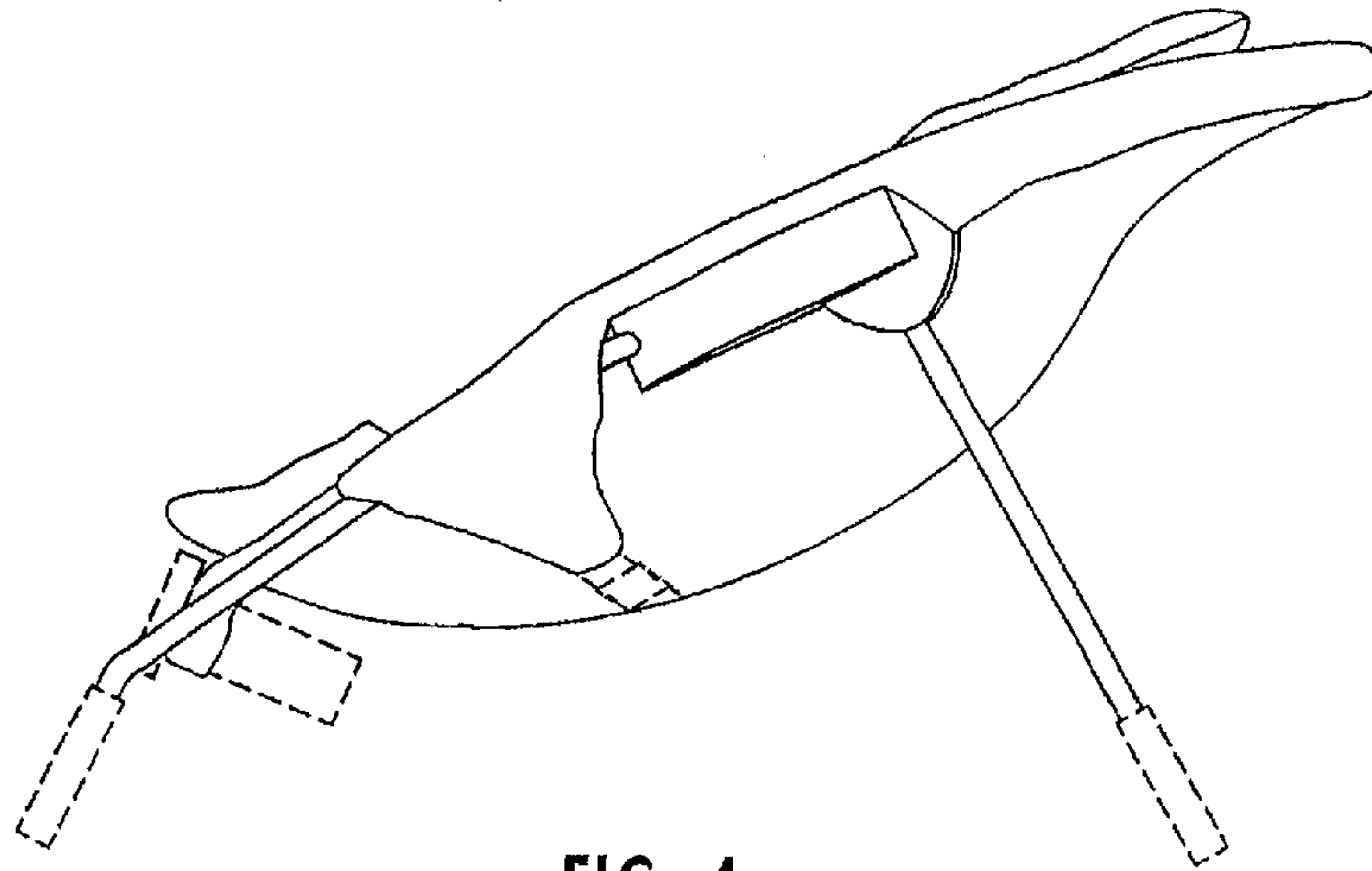


FIG. 4

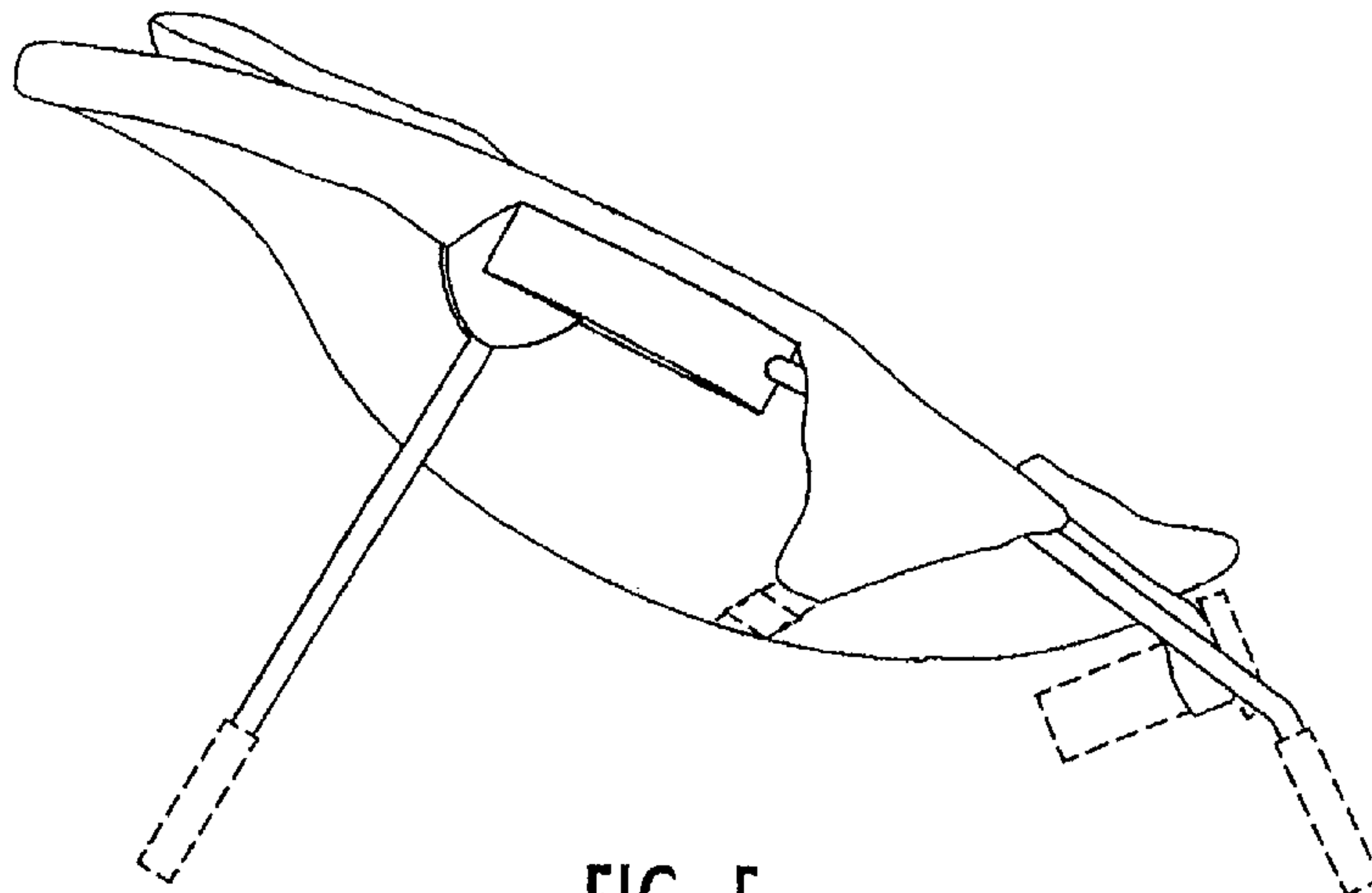


FIG. 5

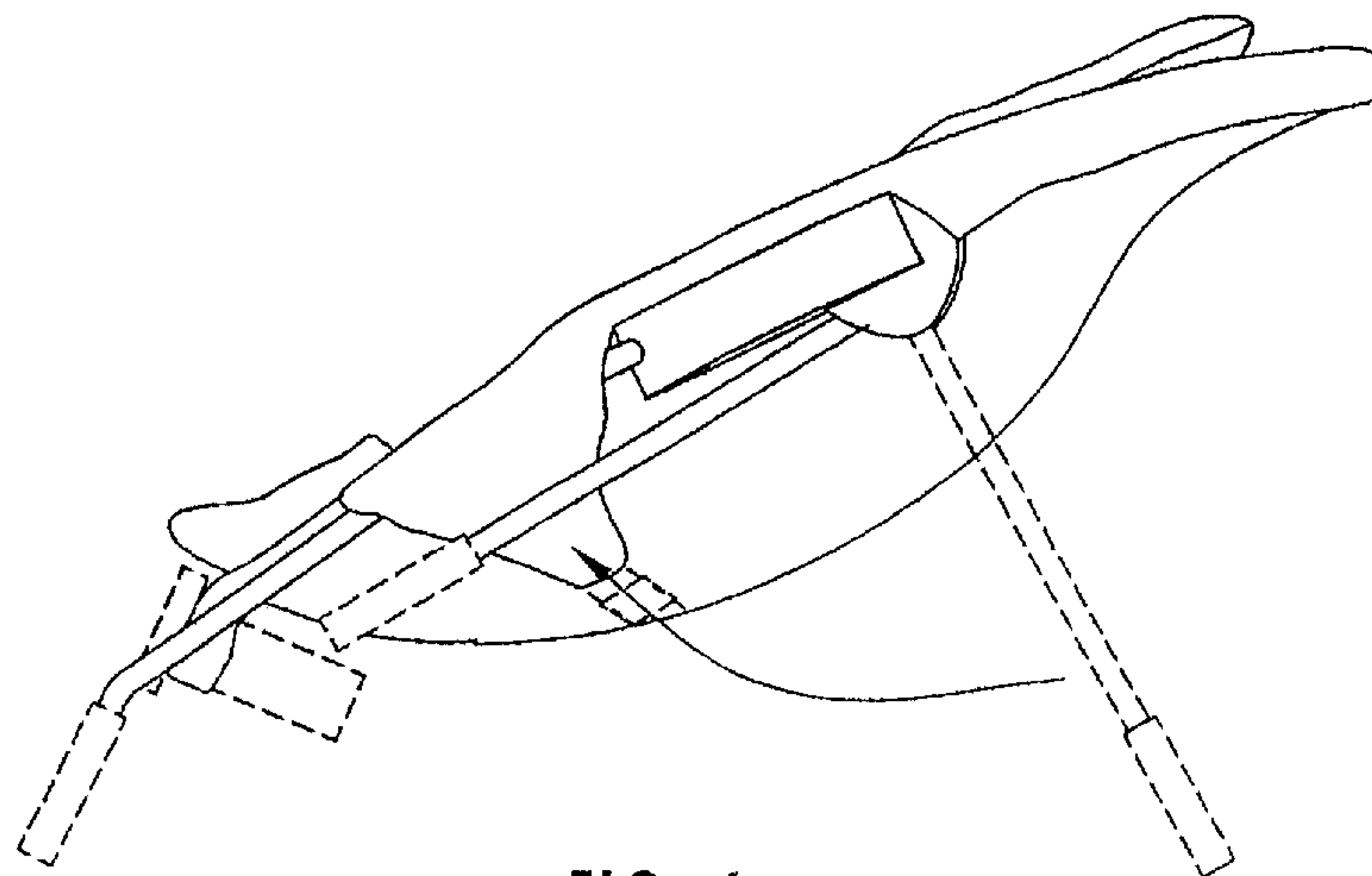


FIG. 6

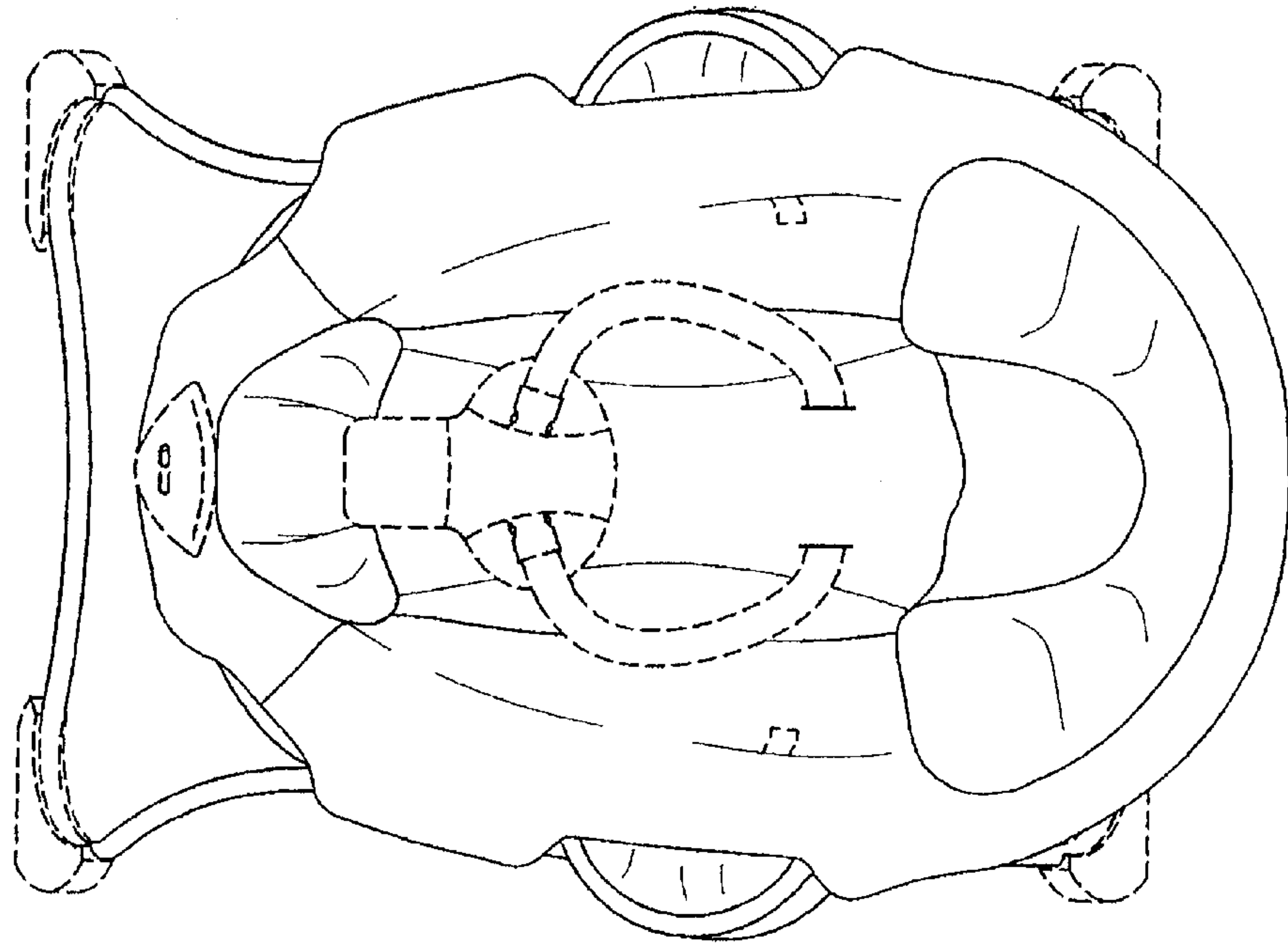


FIG. 7

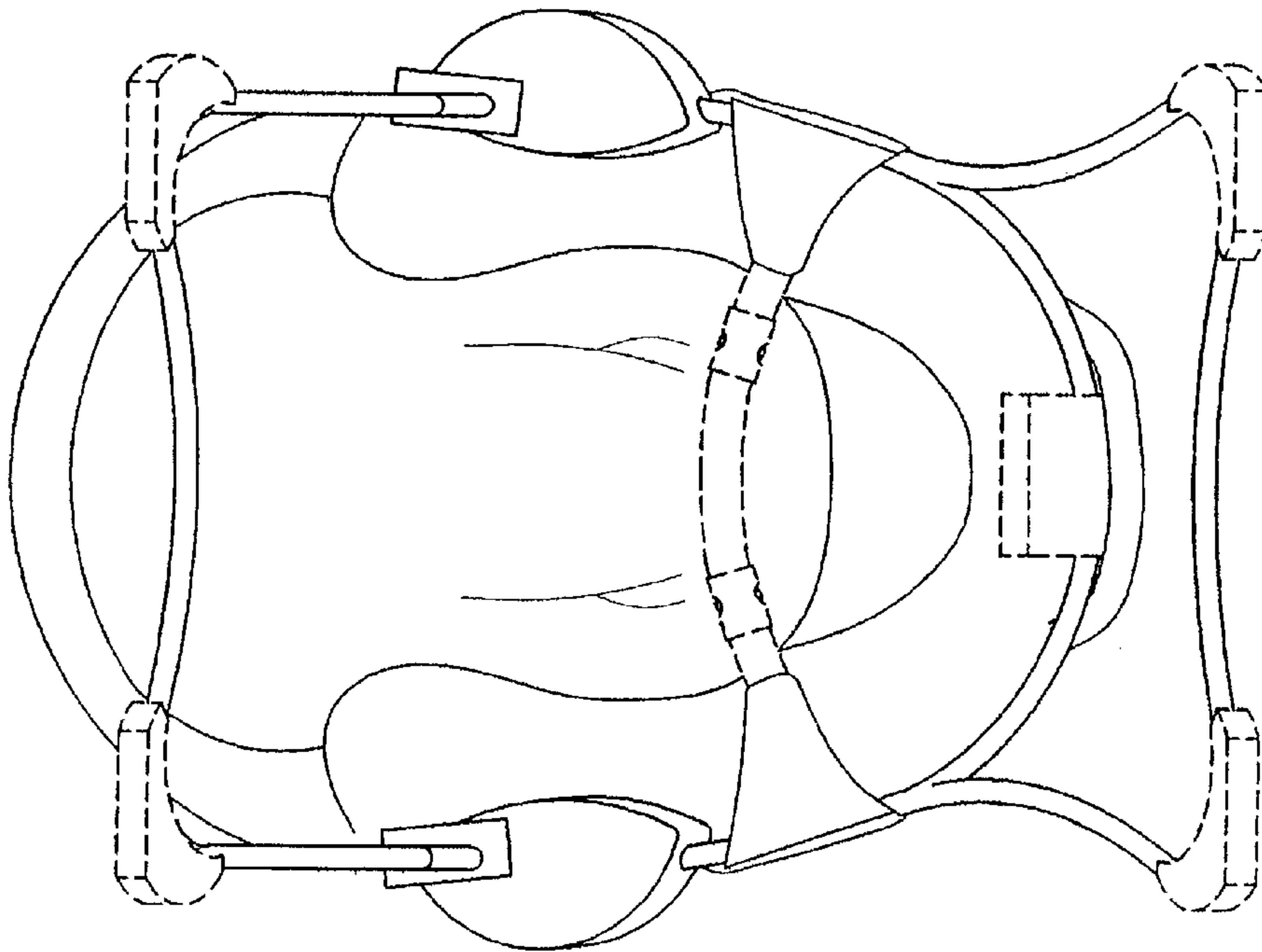


FIG. 8

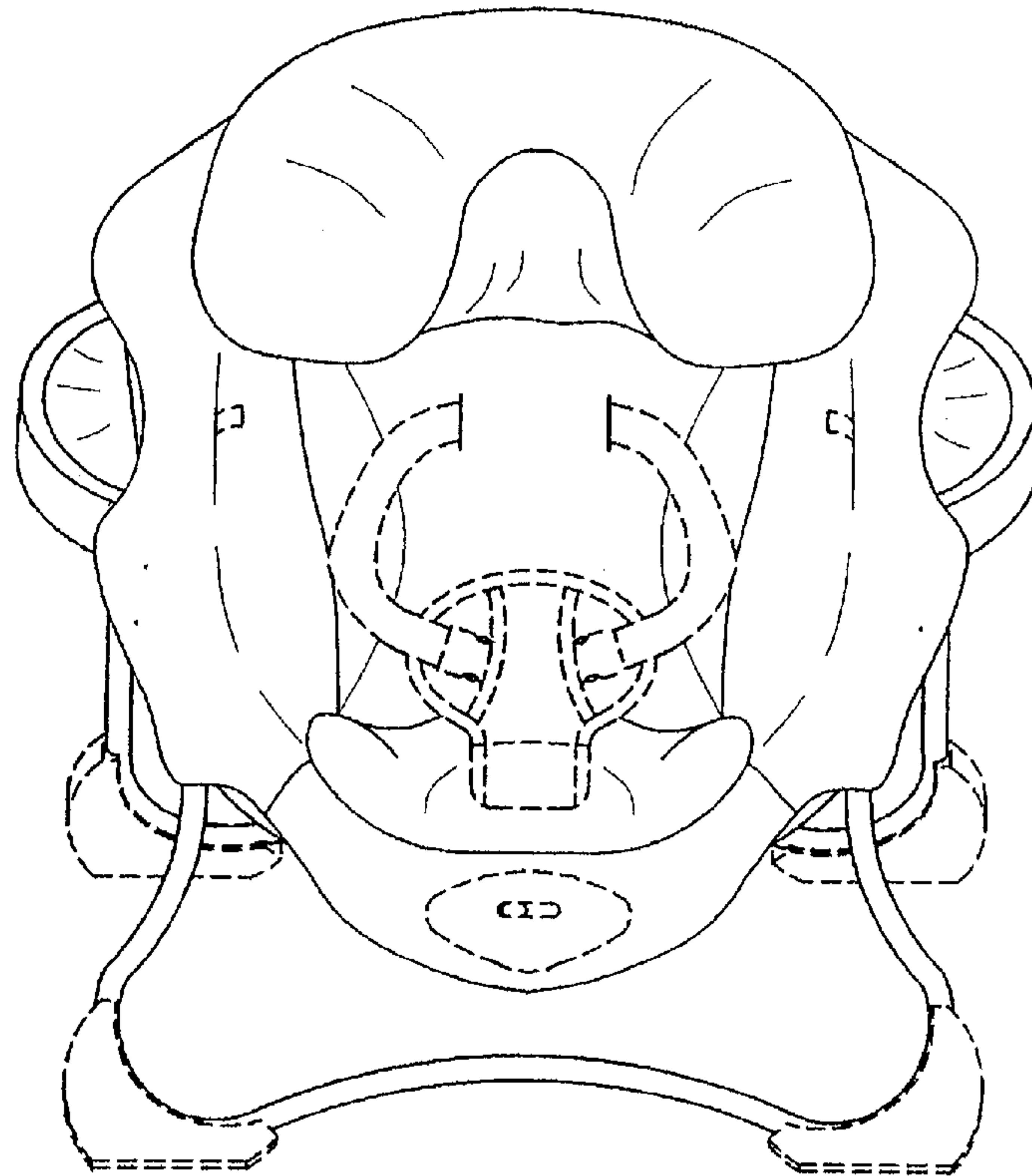


FIG. 9

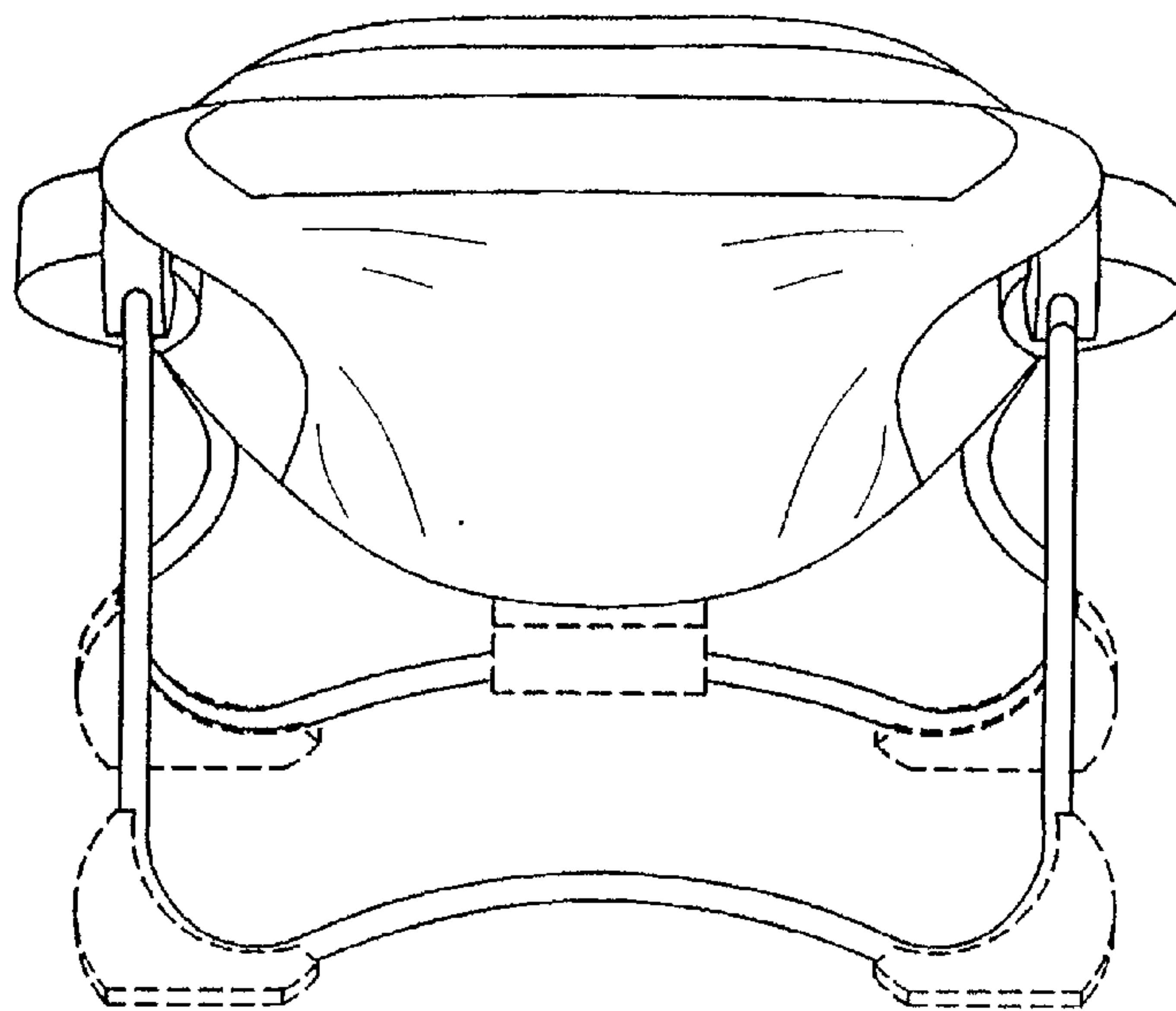


FIG. 10