

US00D518957S

(12) **United States Design Patent** (10) **Patent No.:** **US D518,957 S**
DeCarlo et al. (45) **Date of Patent:** **** Apr. 18, 2006**

(54) **COLLAPSIBLE STORAGE CONTAINER AND LID**

(75) Inventors: **Anthony J. DeCarlo**, Bay Village, OH (US); **Daniel V. Perella**, Hudson, OH (US); **Vincent J. Thomson**, Avon Lake, OH (US)

(73) Assignee: **Idea Stream Consumer Products, LLC**, Barma, OH (US)

(**) Term: **14 Years**

(21) Appl. No.: **29/201,193**

(22) Filed: **Mar. 11, 2004**

(51) **LOC (8) Cl.** **03-01**

(52) **U.S. Cl.** **D3/302; D9/432**

(58) **Field of Classification Search** D3/272, D3/273, 302, 271.1; D9/432, 433; D19/90; 229/117.01, 117.02, 117.03, 117.04, 117.05, 229/117.07

See application file for complete search history.

(56) **References Cited**

U.S. PATENT DOCUMENTS

3,303,986	A	*	2/1967	Tanaka	229/125.01
D315,098	S	*	3/1991	Hutcheson	D9/414
D323,294	S	*	1/1992	Williams	D9/432
D336,427	S	*	6/1993	Mainiero	D9/423
D339,062	S	*	9/1993	Williams	D9/432
D372,673	S	*	8/1996	Turner	D9/432
D414,335	S	*	9/1999	Cheyn	D3/276
D418,751	S	*	1/2000	Wolf	D9/432
D437,222	S	*	2/2001	Goldberg	D9/432
D457,313	S	*	5/2002	Clark et al.	D3/276

* cited by examiner

Primary Examiner—Philip S. Hyder
(74) *Attorney, Agent, or Firm*—Pillsbury Winthrop Shaw Pittman, LLP

(57) **CLAIM**

The ornamental design for a collapsible storage container and lid, as shown and described.

DESCRIPTION

FIG. 1 is an exploded view of a collapsible storage container and lid showing our new design;

FIG. 2 is a right side elevation view of the collapsible storage container, the left side elevation view mirrors the right side elevation view;

FIG. 3 is a front elevation view thereof, the back elevation view mirrors the front elevation view;

FIG. 4 is a top plan view thereof;

FIG. 5 is a bottom plan view thereof;

FIG. 6 is a top plan view of the collapsible storage container in a collapsed state wherein the front and back portions of the collapsible storage container are folded atop the side portions of the collapsible storage container;

FIG. 7 is a bottom plan view of the collapsible storage container in a collapsed state wherein the side portions are folded beneath the front and back portions of the collapsible storage container;

FIG. 8 is a right side elevation view of the collapsible storage container lid, the left side elevation view is similar to the right side elevation view;

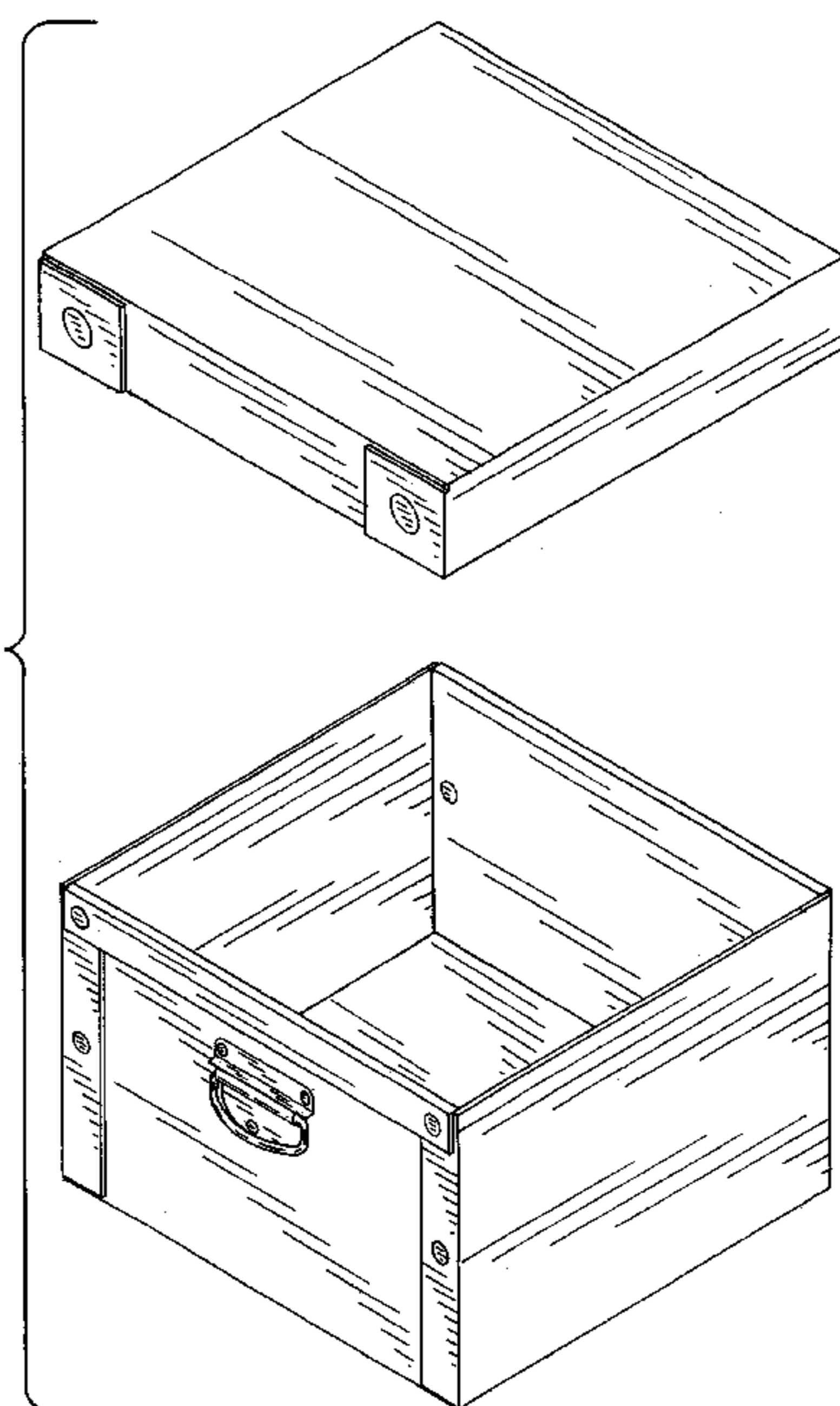
FIG. 9 is a front elevation view thereof, the back elevation view mirrors the front elevation view;

FIG. 10 is a top plan view thereof;

FIG. 11 is a bottom plan view thereof; and,

FIG. 12 is a top plan view of the collapsible storage container lid in a collapsed state, the bottom plan view mirrors the top plan view.

1 Claim, 10 Drawing Sheets



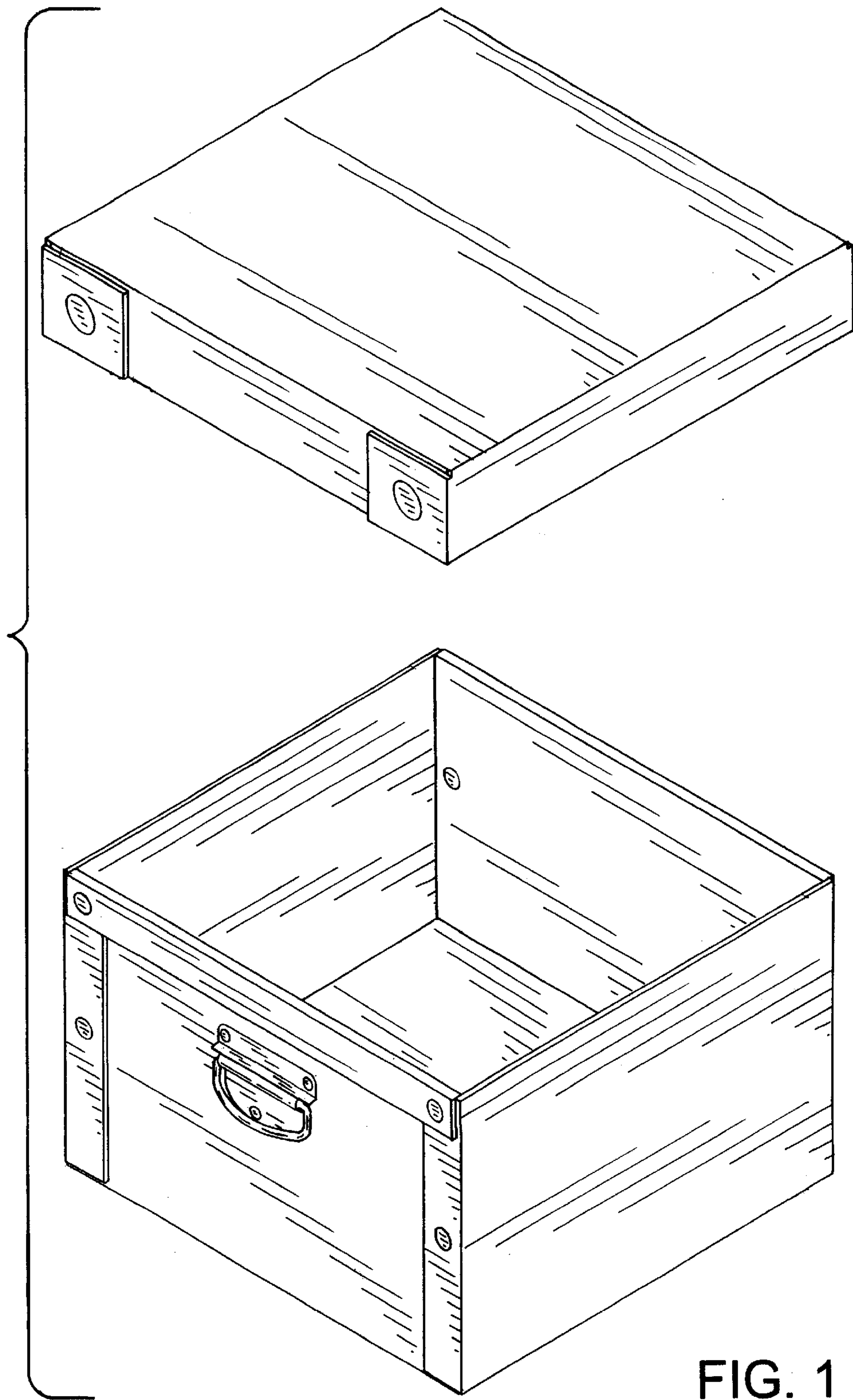


FIG. 1

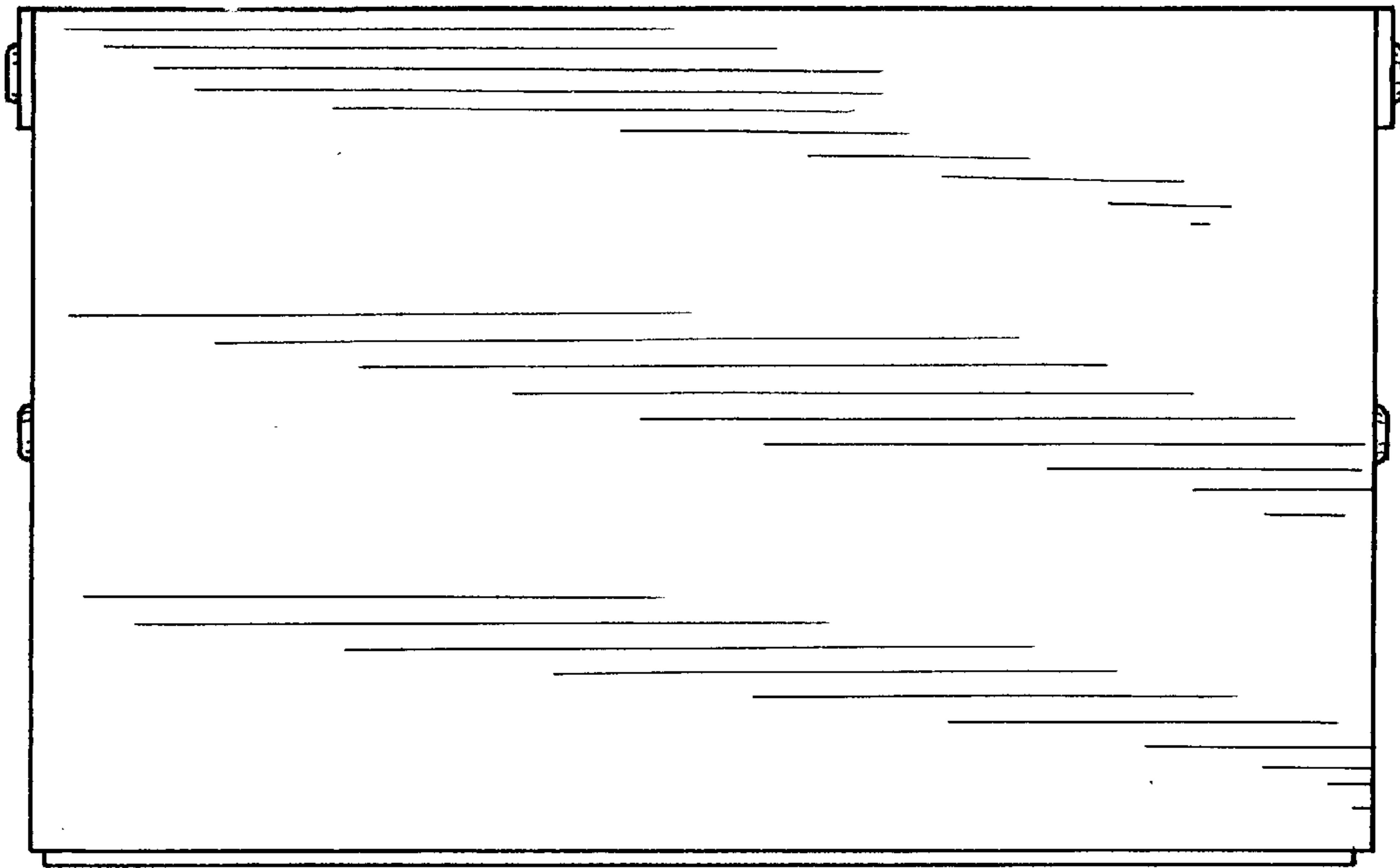


FIG. 2

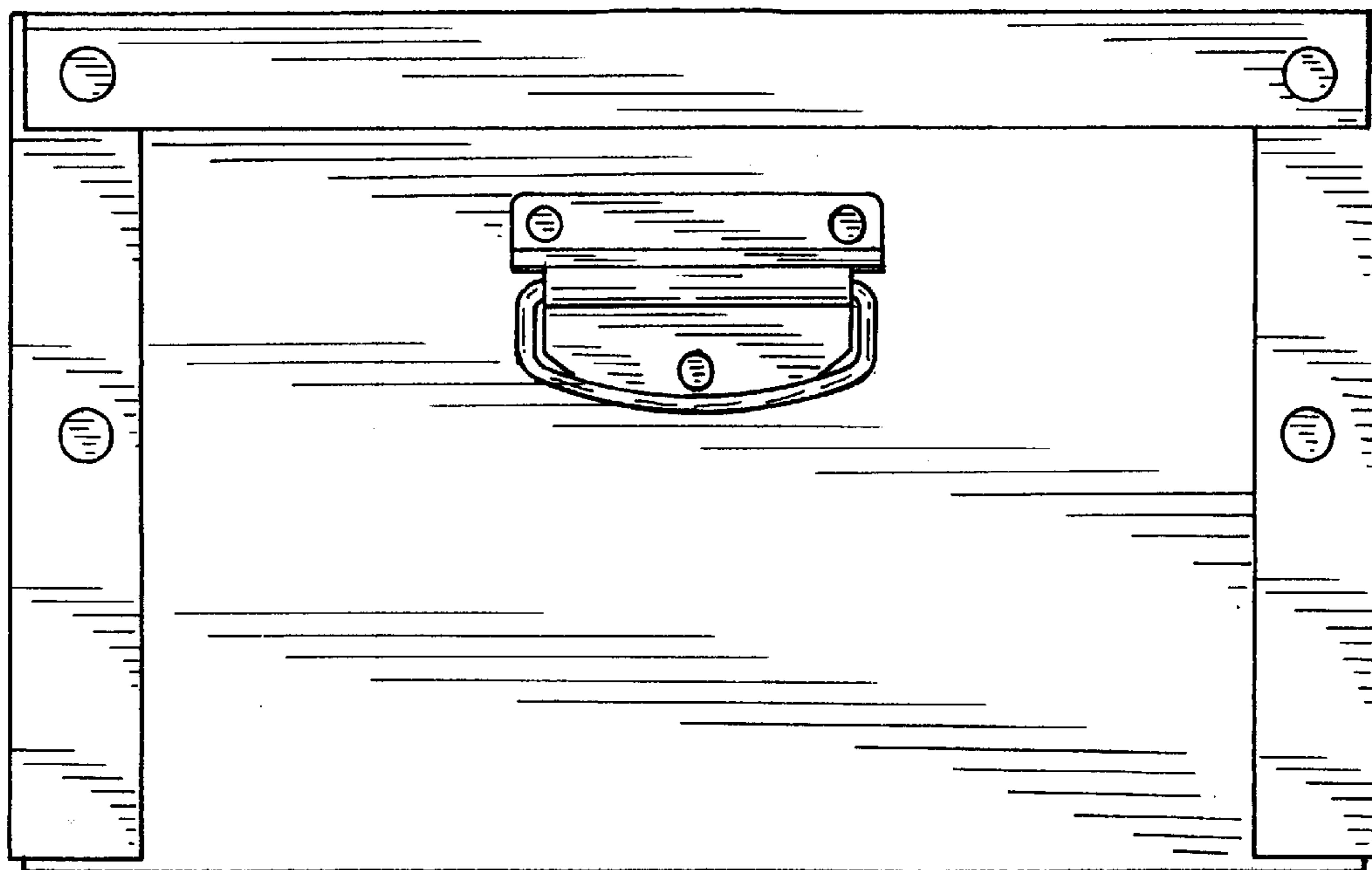


FIG. 3

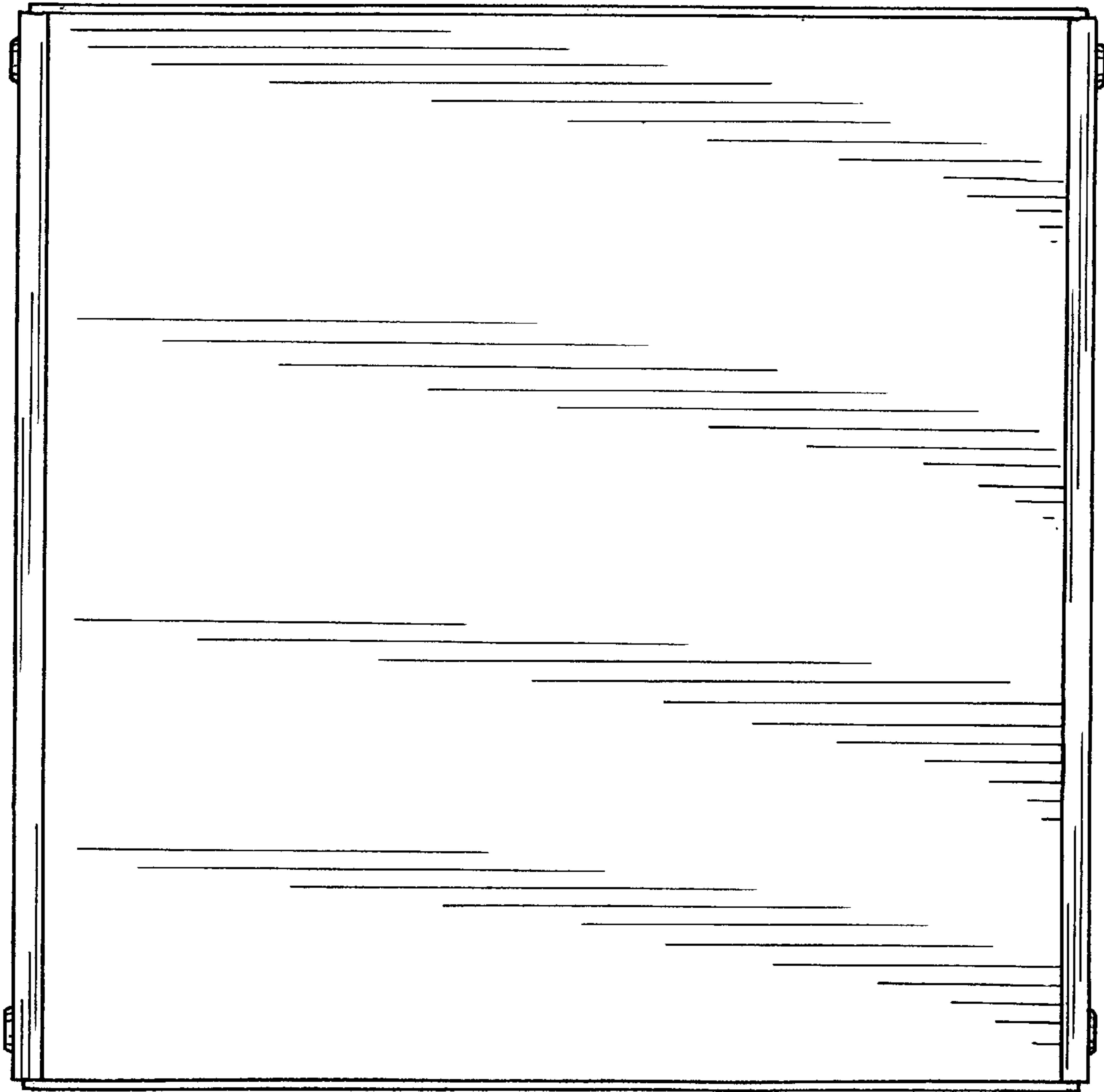


FIG. 4

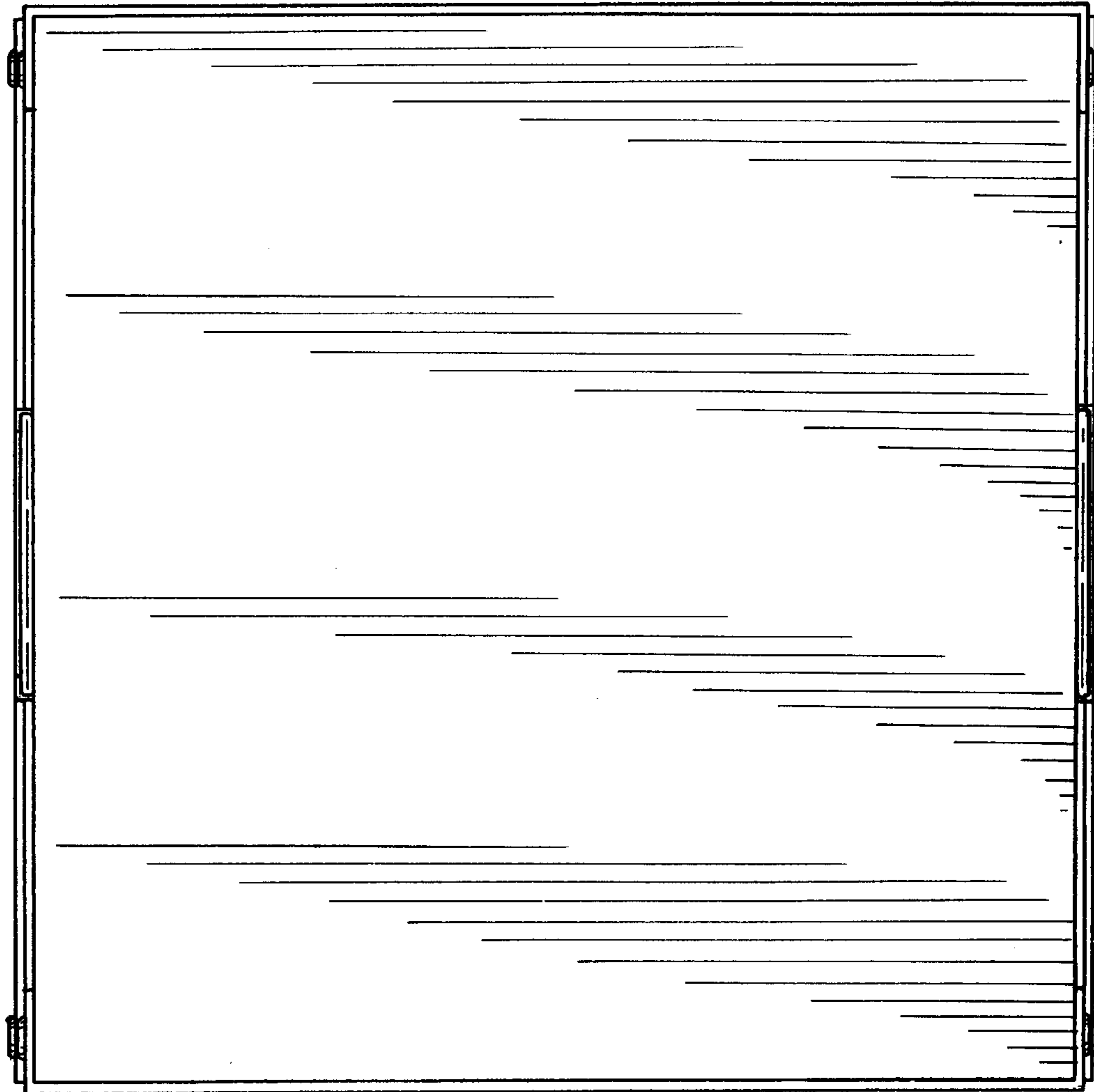


FIG. 5

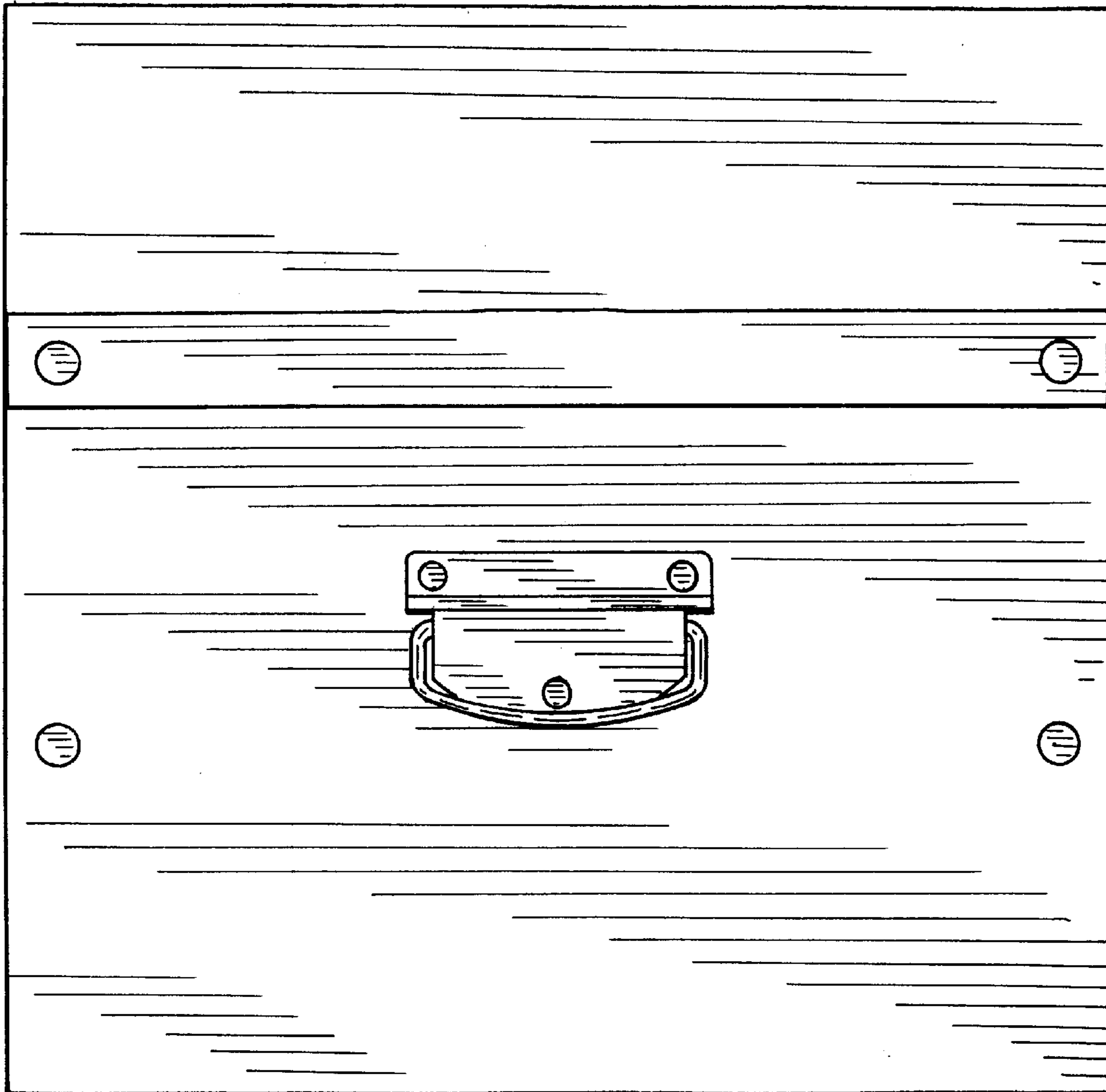


FIG. 6

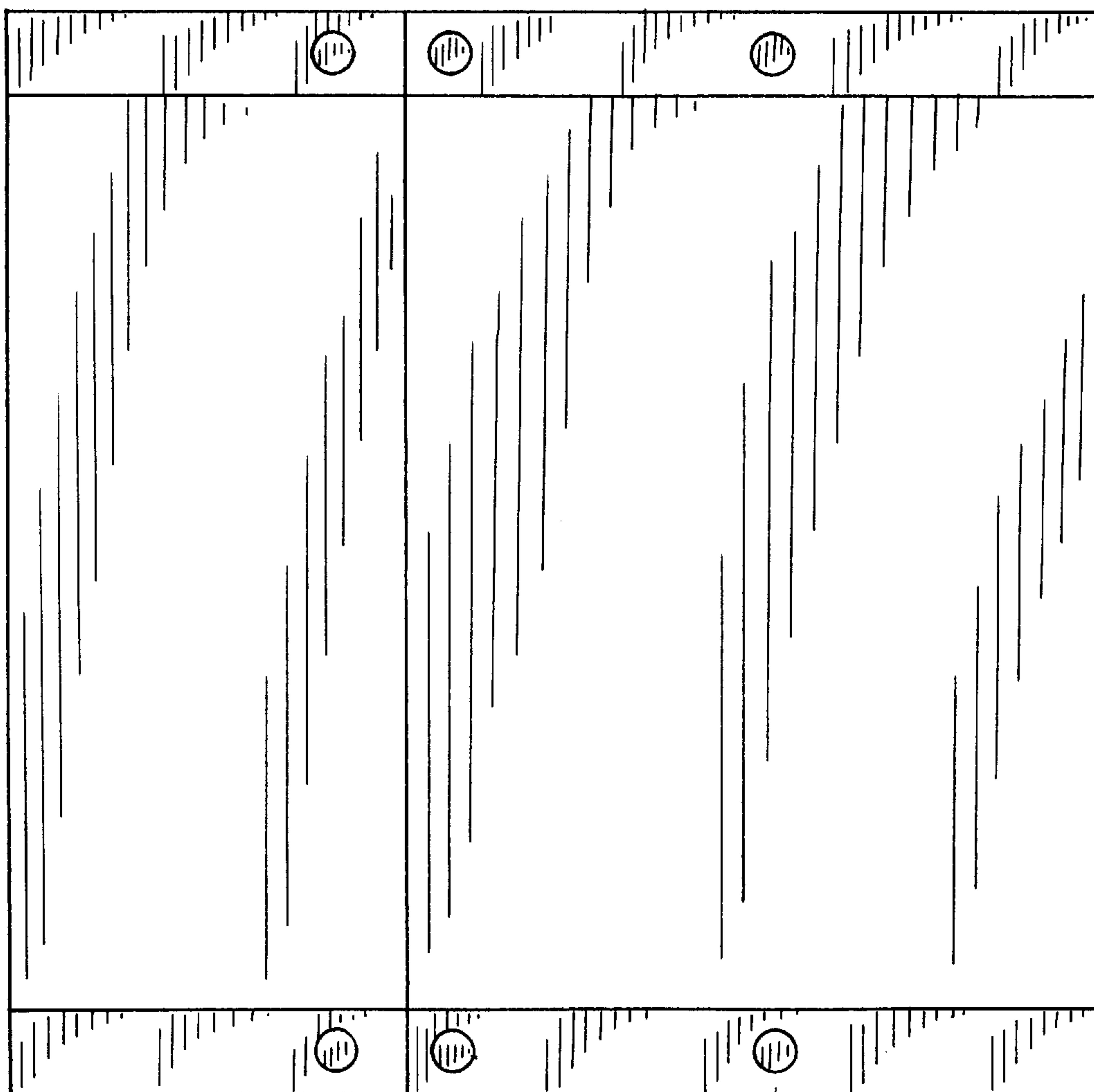


FIG. 7

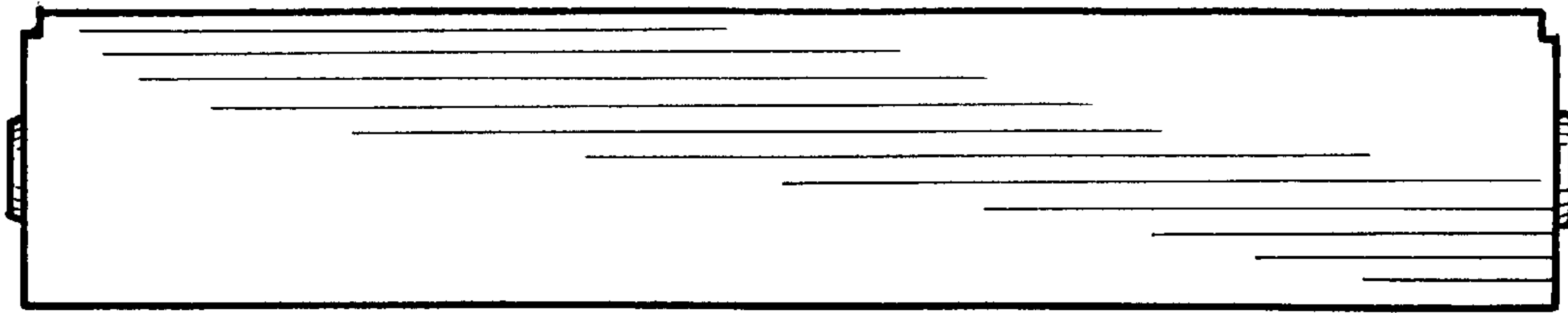


FIG. 8

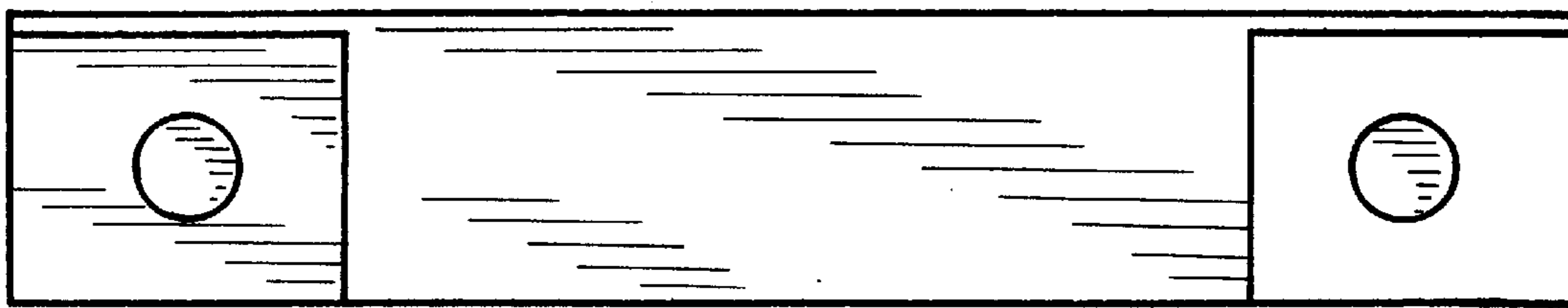


FIG. 9

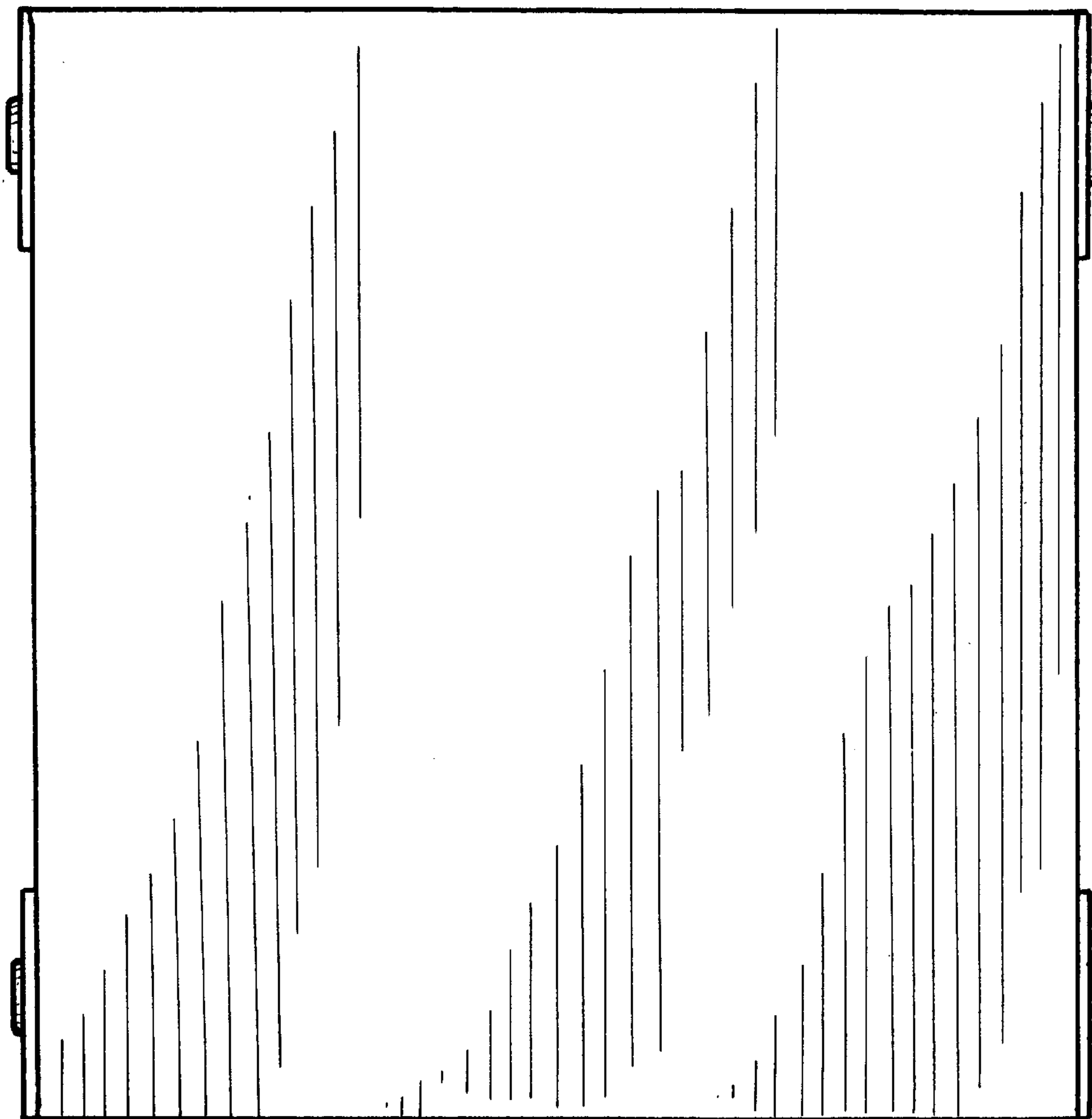


FIG. 10

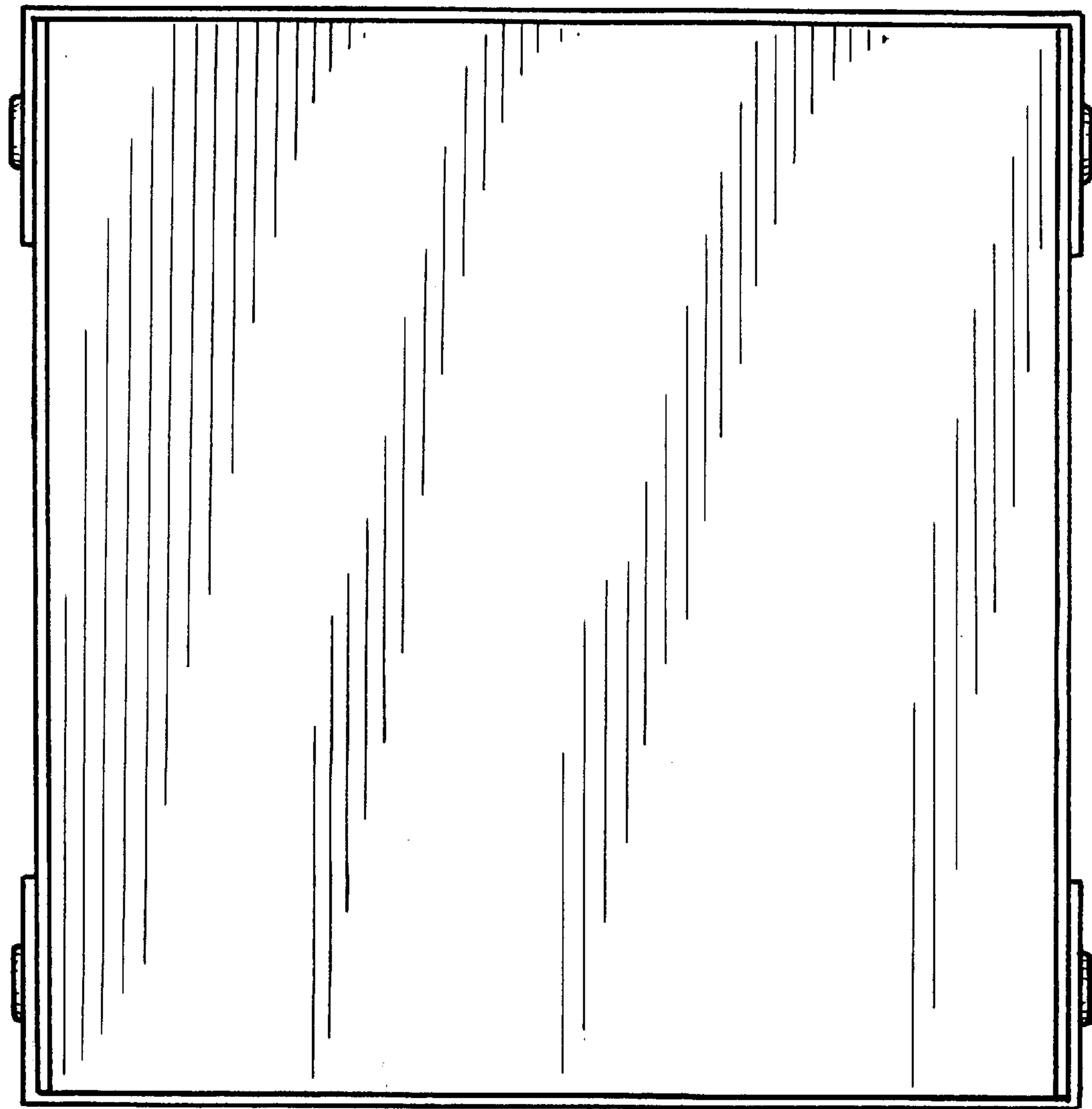


FIG. 11

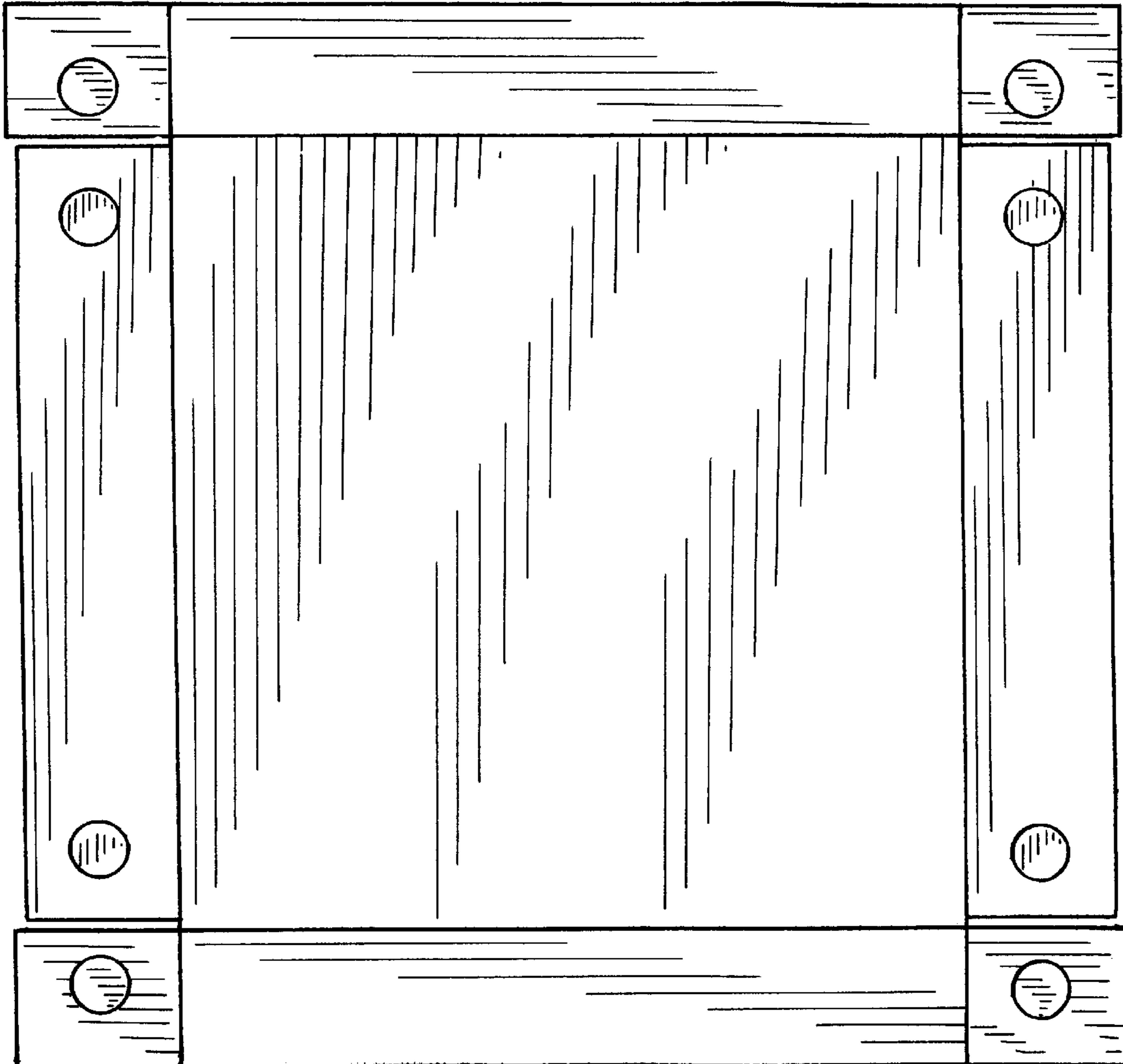


FIG. 12