



US00D518954S

(12) **United States Design Patent**
Wald

(10) **Patent No.:** **US D518,954 S**
(45) **Date of Patent:** **** Apr. 18, 2006**

(54) **FIELD FOLDER**

(75) Inventor: **Ryan K. Wald**, Oakland Township, MI (US)

(73) Assignee: **The John Christian Company**, Warren, MI (US)

(**) Term: **14 Years**

(21) Appl. No.: **29/207,481**

(22) Filed: **Jun. 15, 2004**

(51) **LOC (8) Cl.** **03-01**

(52) **U.S. Cl.** **D3/273; D3/901**

(58) **Field of Classification Search** D3/243, D3/273, 290, 299, 303, 901; D12/515; 150/103, 150/114, 132, 152; 190/902

See application file for complete search history.

(56) **References Cited**

U.S. PATENT DOCUMENTS

1,722,507 A * 7/1929 Stanley 206/581
D106,921 S * 11/1937 Chase et al. D2/821
D263,897 S * 4/1982 Thornton D3/243

(Continued)

OTHER PUBLICATIONS

2 Field Cases by Roy Gfeller at www.ascscientific.com/gfeller.html, Apr. 10, 2003 (available through <http://web.archive.org>).*

Primary Examiner—Philip S. Hyder

Assistant Examiner—RoseLynne Ulm

(74) *Attorney, Agent, or Firm*—Honigman Miller Schwartz and Cohn LLP

(57) **CLAIM**

I claim the ornamental design for a field folder, as shown and described.

DESCRIPTION

FIG. 1 is an isometric view of a first embodiment of the field folder of the present invention.

FIG. 2 is a front elevational view of the field folder of FIG. 1.

FIG. 3 is a rear elevational view of the field folder of FIG. 1.

FIG. 4 is a right side elevational view of the field folder of FIG. 1.

FIG. 5 is a left side elevational view of the field folder of FIG. 1.

FIG. 6 is a top view of the field folder of FIG. 1.

FIG. 7 is a bottom view of the field folder of FIG. 1.

FIG. 8 is an isometric view of a second embodiment of the field folder of the present invention.

FIG. 9 is a front elevational view of the field folder of FIG. 8.

FIG. 10 is a rear elevational view of the field folder of FIG. 8.

FIG. 11 is a right side elevational view of the field folder of FIG. 8.

FIG. 12 is a left side elevational view of the field folder of FIG. 8.

FIG. 13 is a top elevational view of the field folder of FIG. 8.

FIG. 14 is a bottom elevational view of the field folder of FIG. 8.

FIG. 15 is an isometric view of a third embodiment of the field folder of the present invention.

FIG. 16 is a front elevational view of the field folder of FIG. 15.

FIG. 17 is a rear elevational view of the field folder of FIG. 15.

FIG. 18 is a right side elevational view of the field folder of FIG. 15.

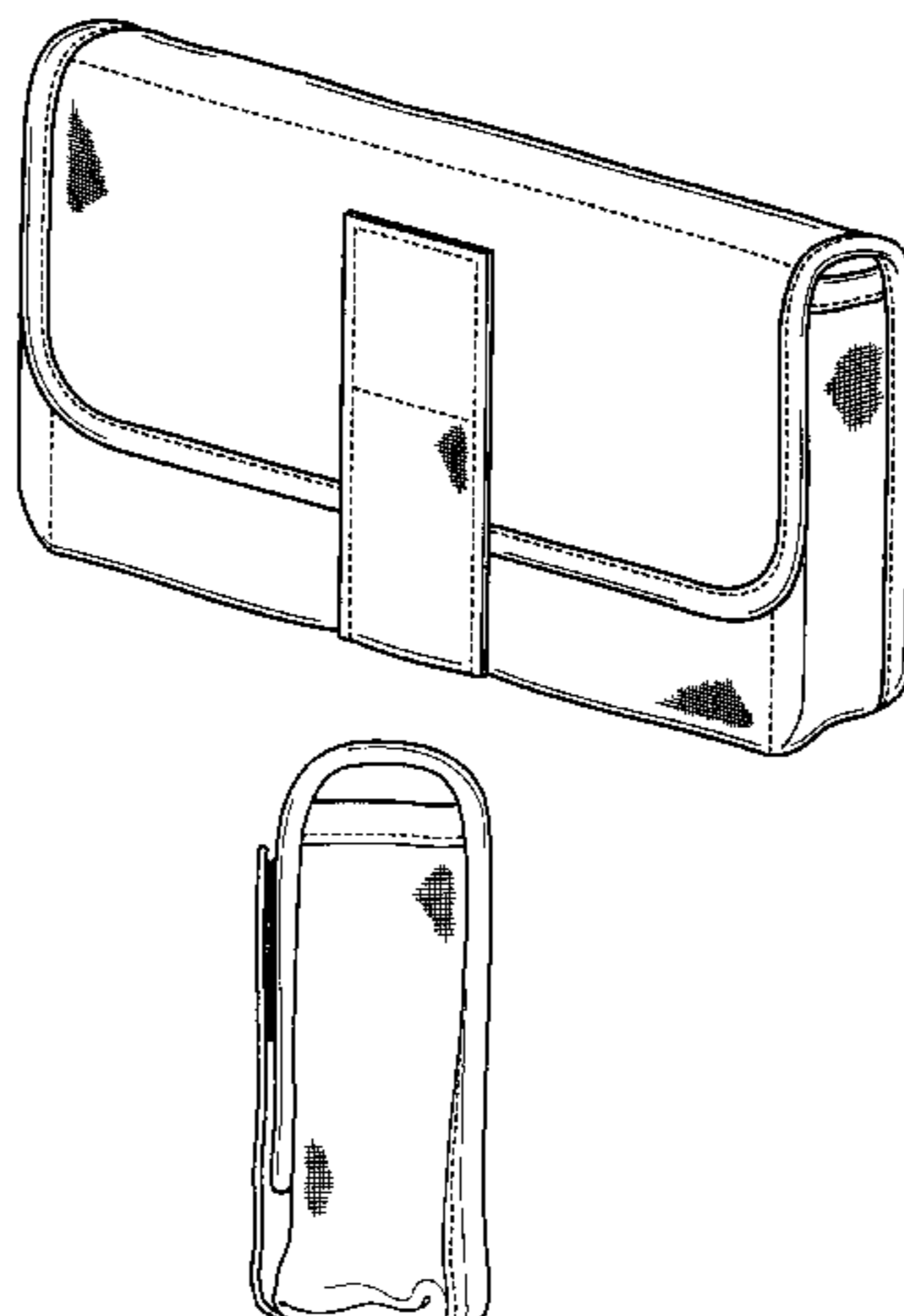
FIG. 19 is a left side elevational view of the field folder of FIG. 15.

FIG. 20 is a top elevational view of the field folder of FIG. 15; and,

FIG. 21 is a bottom elevational view of the field folder of FIG. 15.

The broken lines shown in all views are understood to be stitching. The patches of cross-hatching are understood to represent a continuous texture.

1 Claim, 12 Drawing Sheets



US D518,954 S

Page 2

U.S. PATENT DOCUMENTS

D322,715 S	*	12/1991	Bishop	D3/251	D433,663 S	*	11/2000	Bergh	D12/415
D425,699 S	*	5/2000	Lau	D3/226	D442,781 S	*	5/2001	Snider	D3/299
D429,562 S	*	8/2000	Lau	D3/226	D458,752 S	*	6/2002	Wolf	D3/299

* cited by examiner

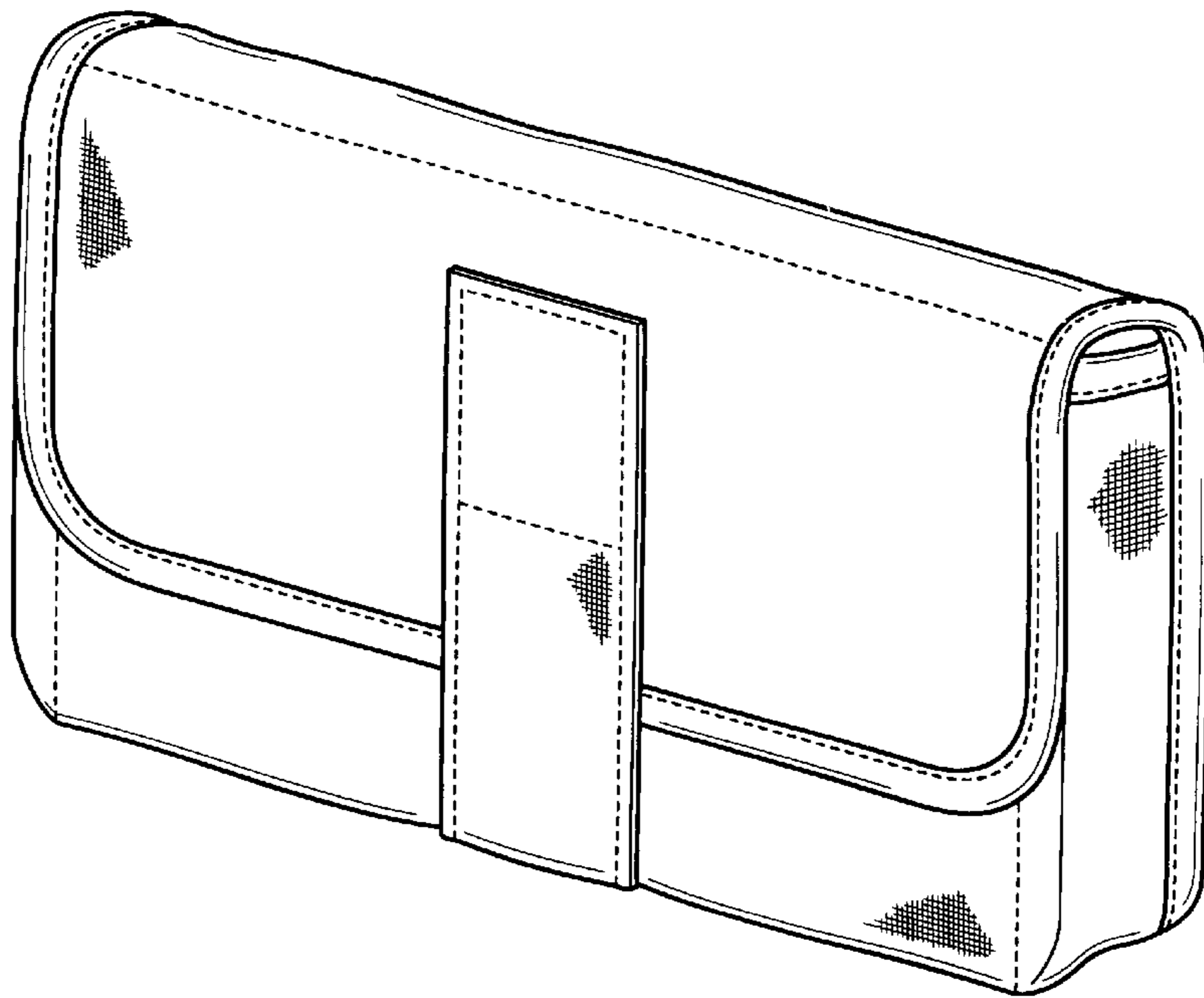


FIG. 1

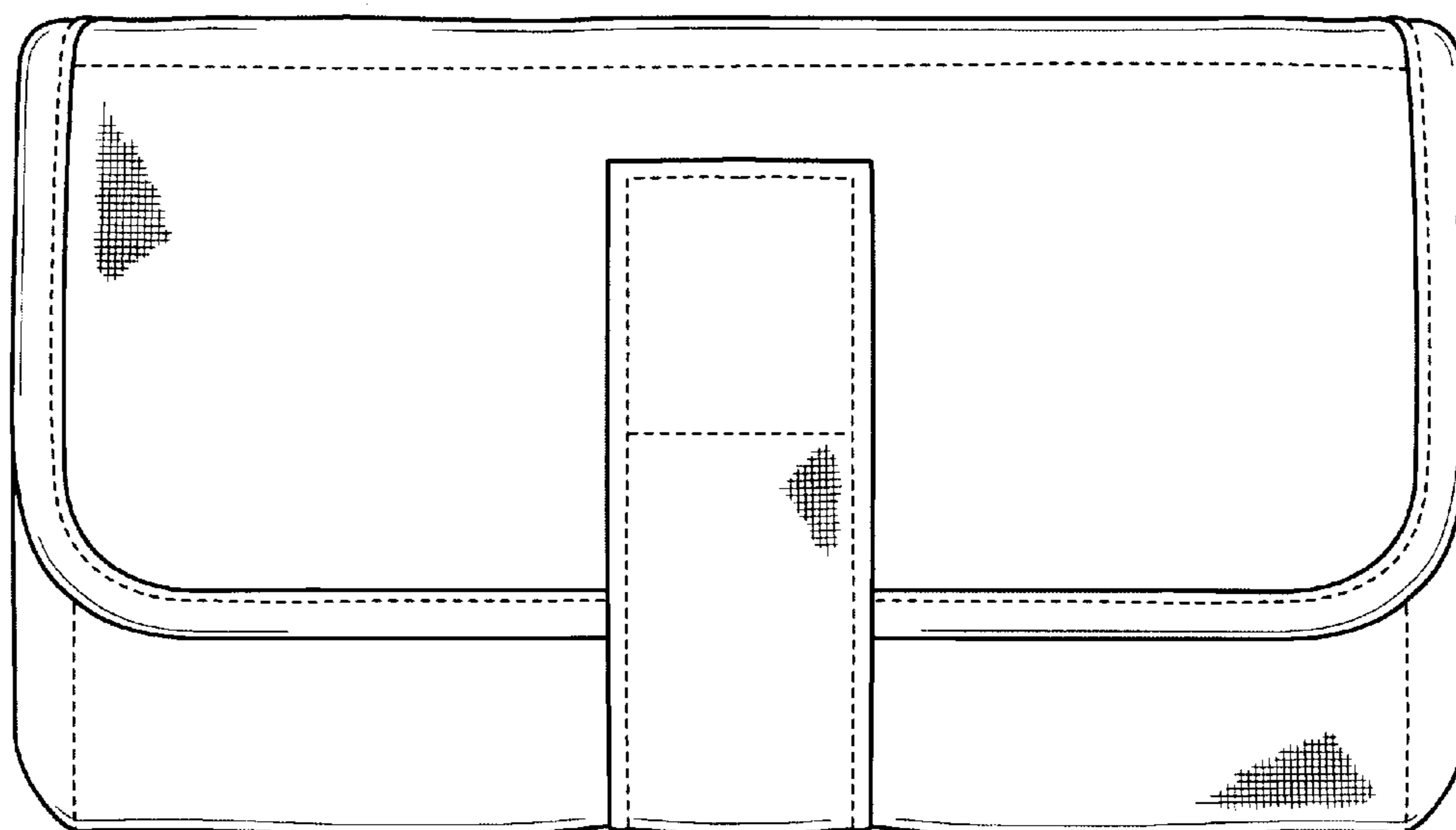


FIG. 2

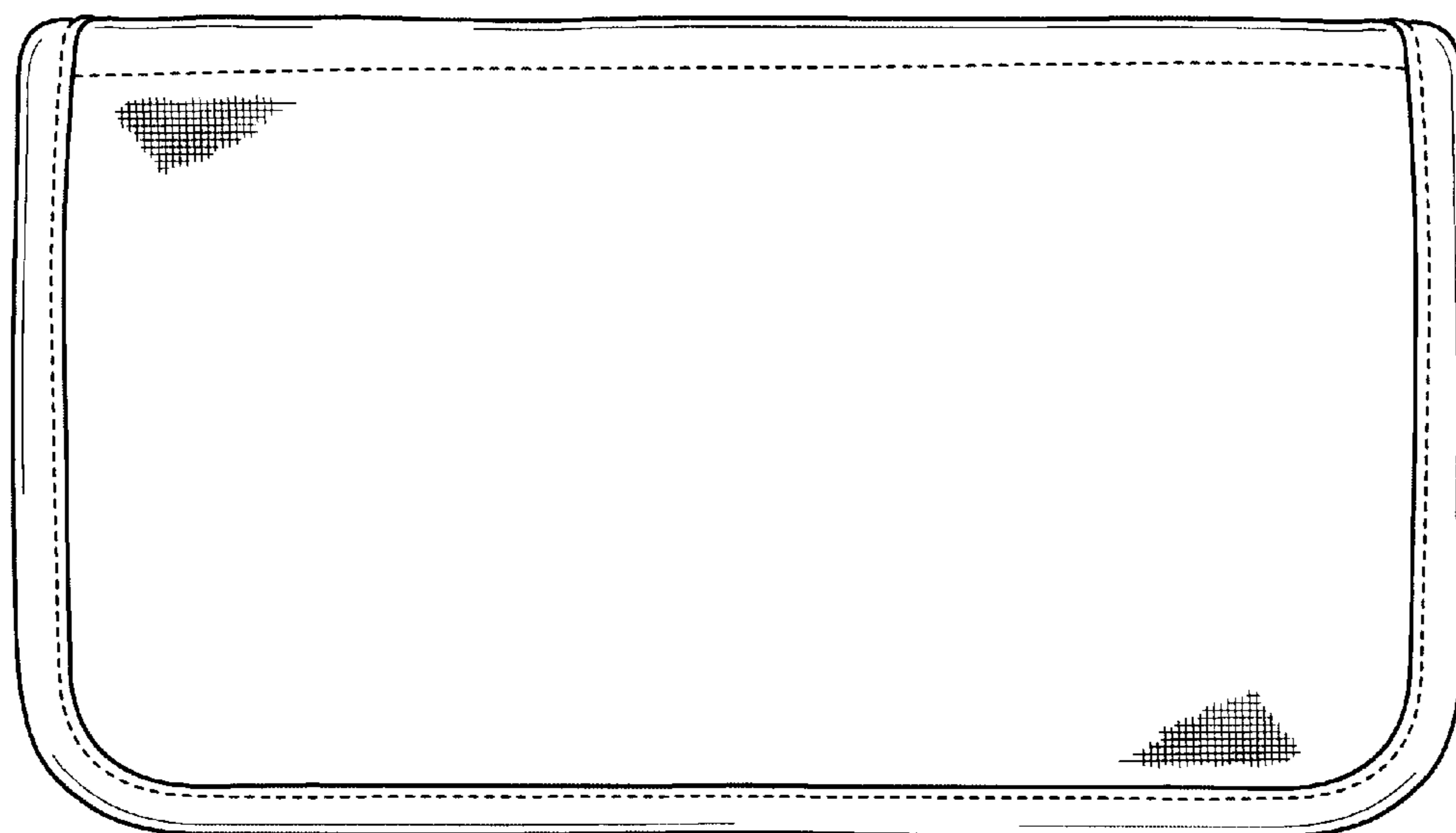


FIG. 3

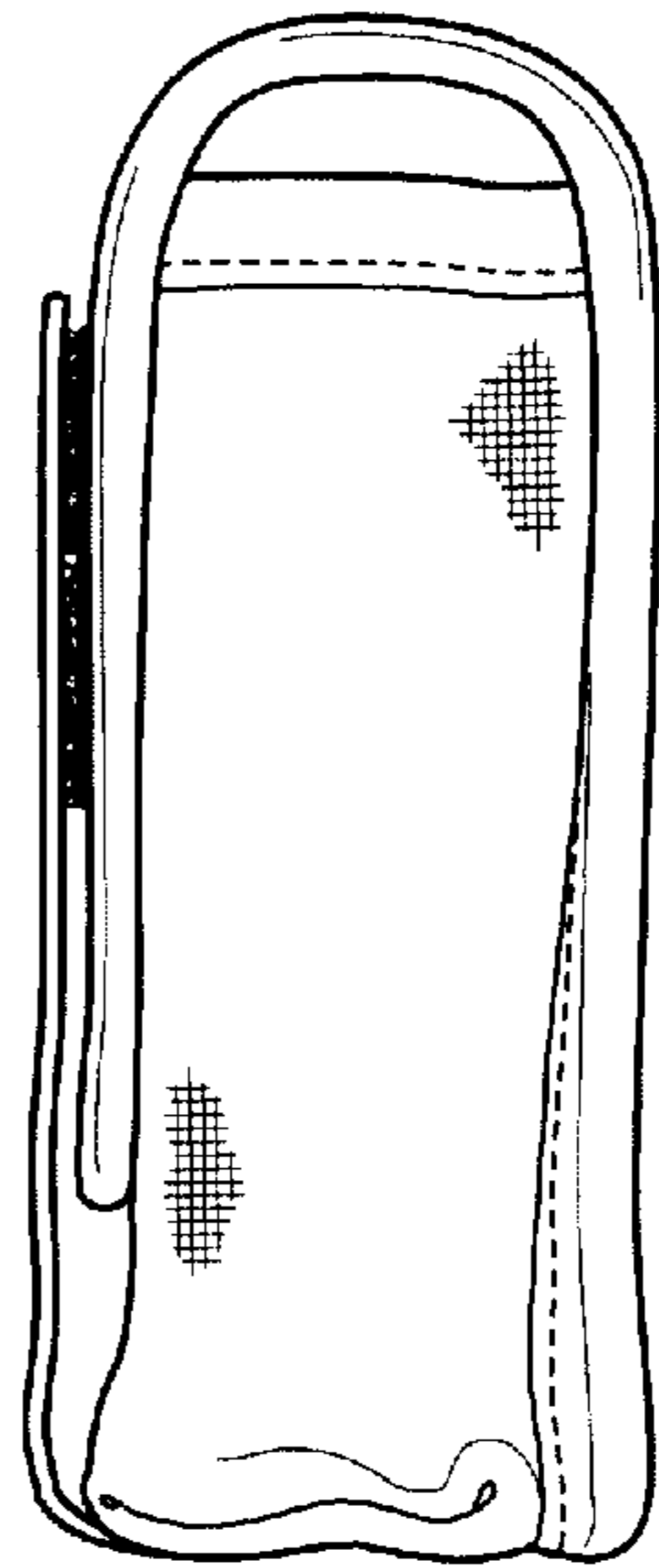


FIG. 4

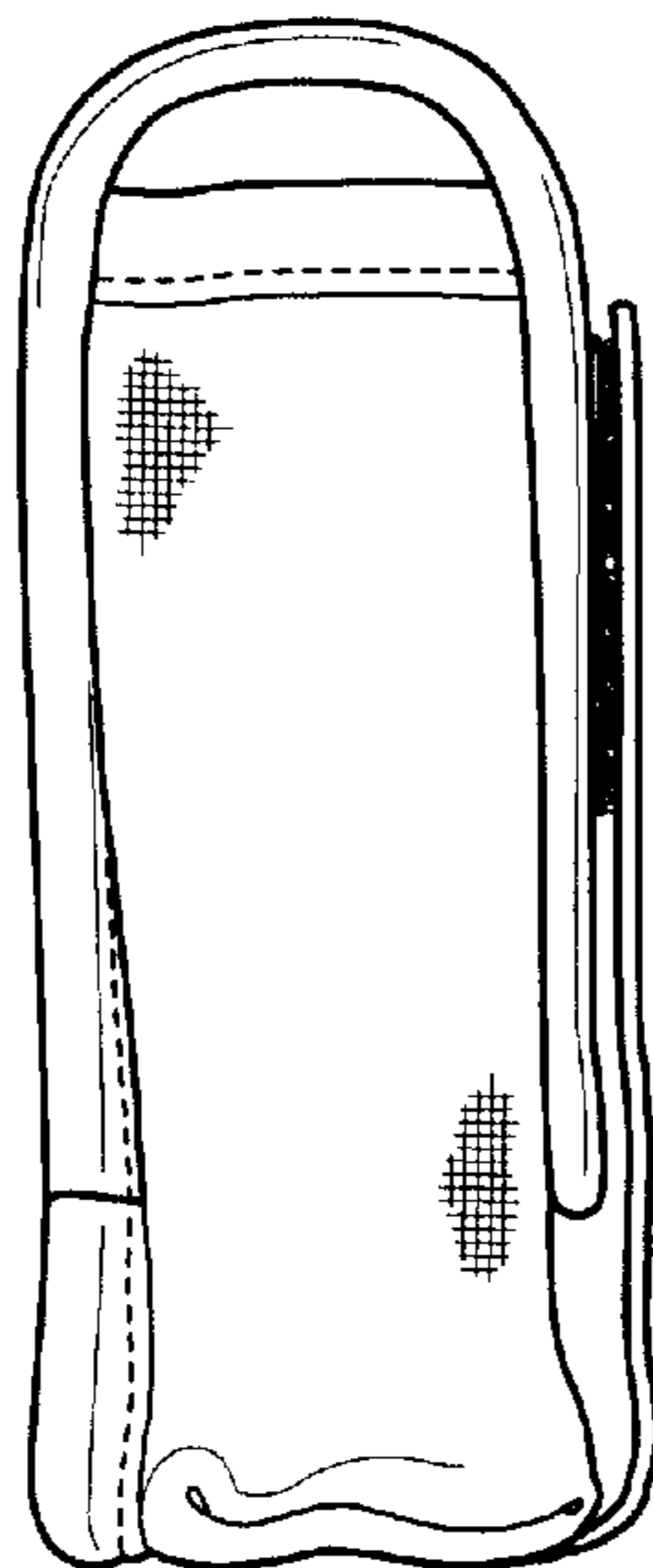


FIG. 5

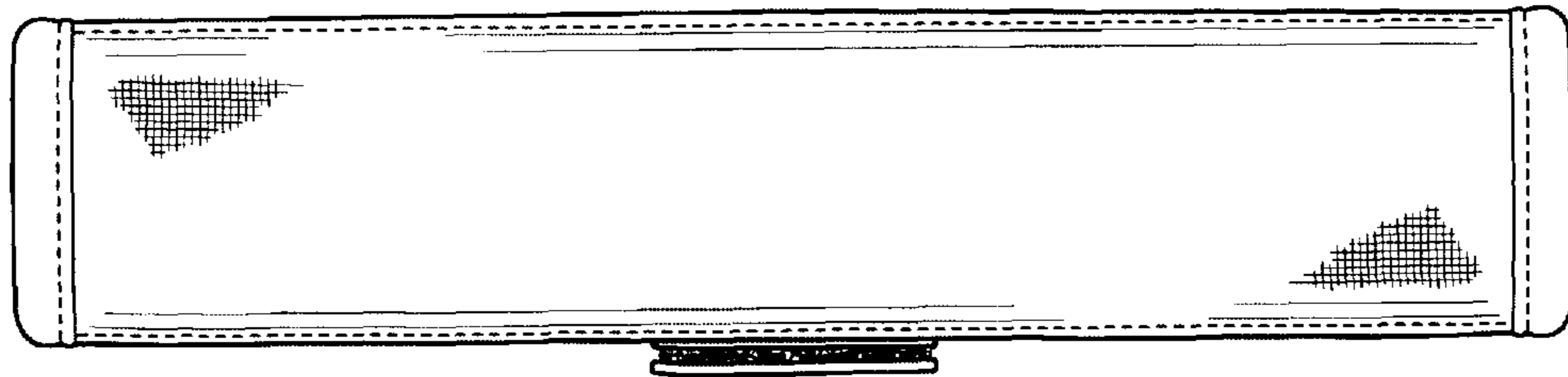


FIG. 6

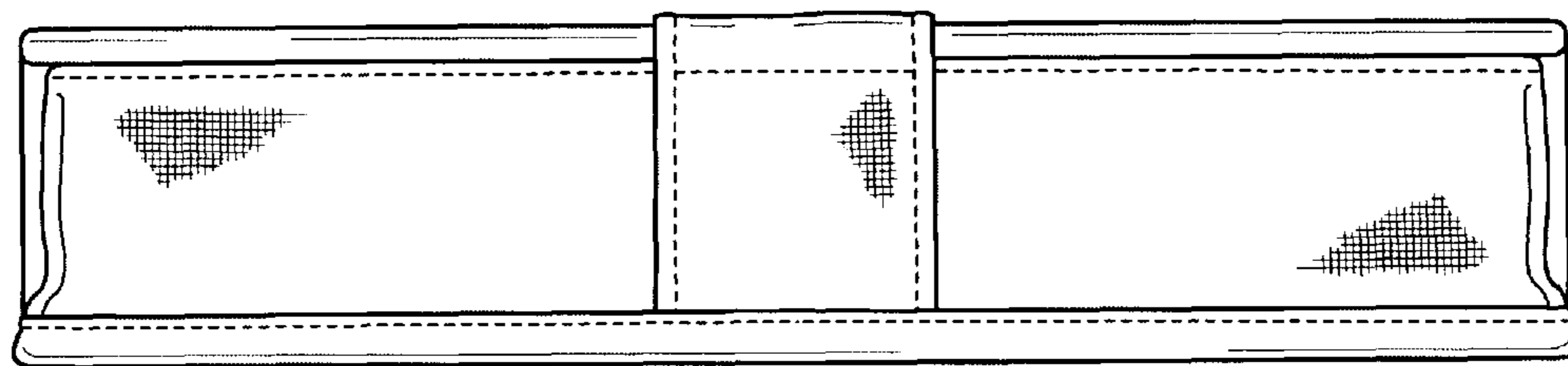


FIG. 7

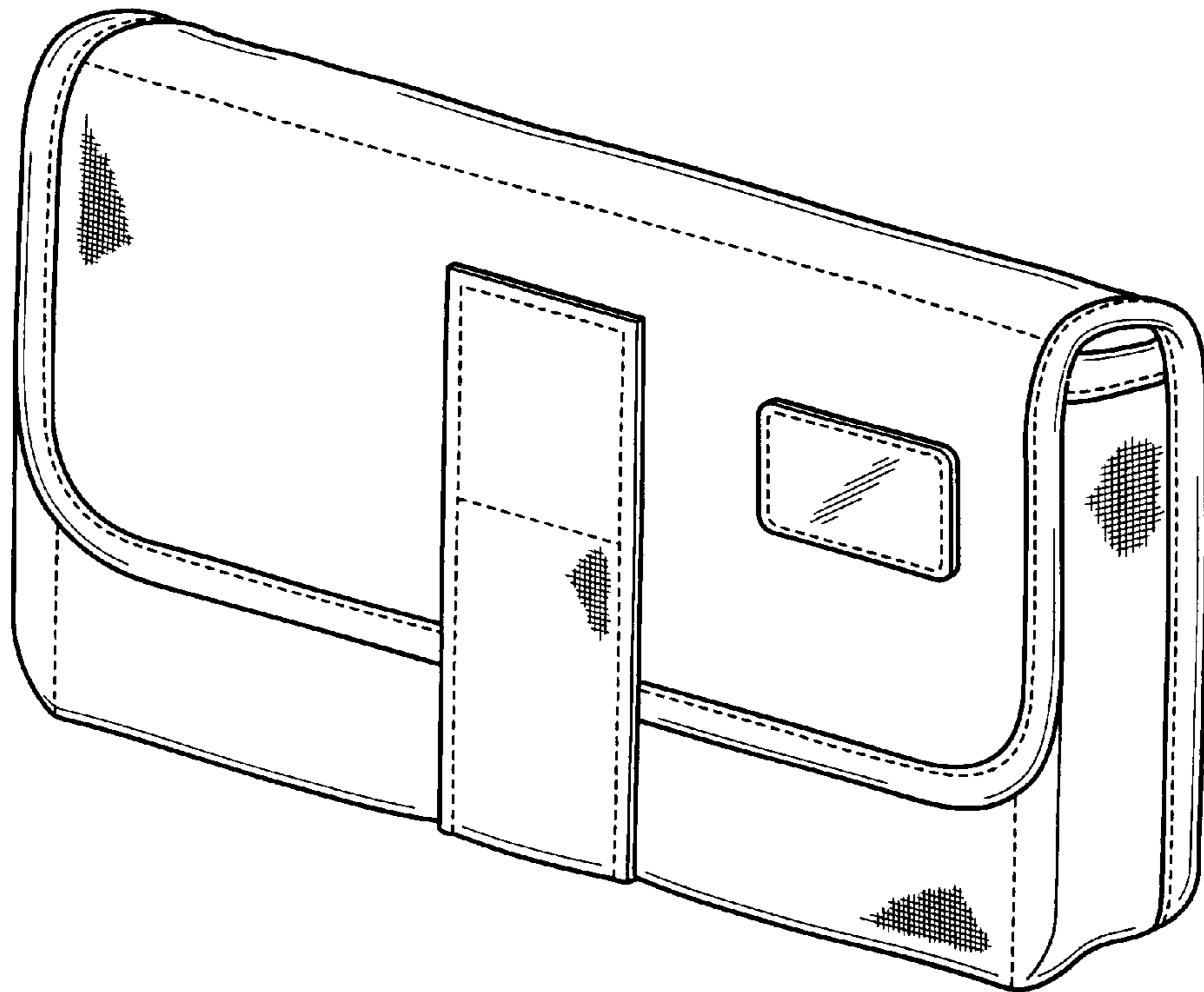


FIG. 8

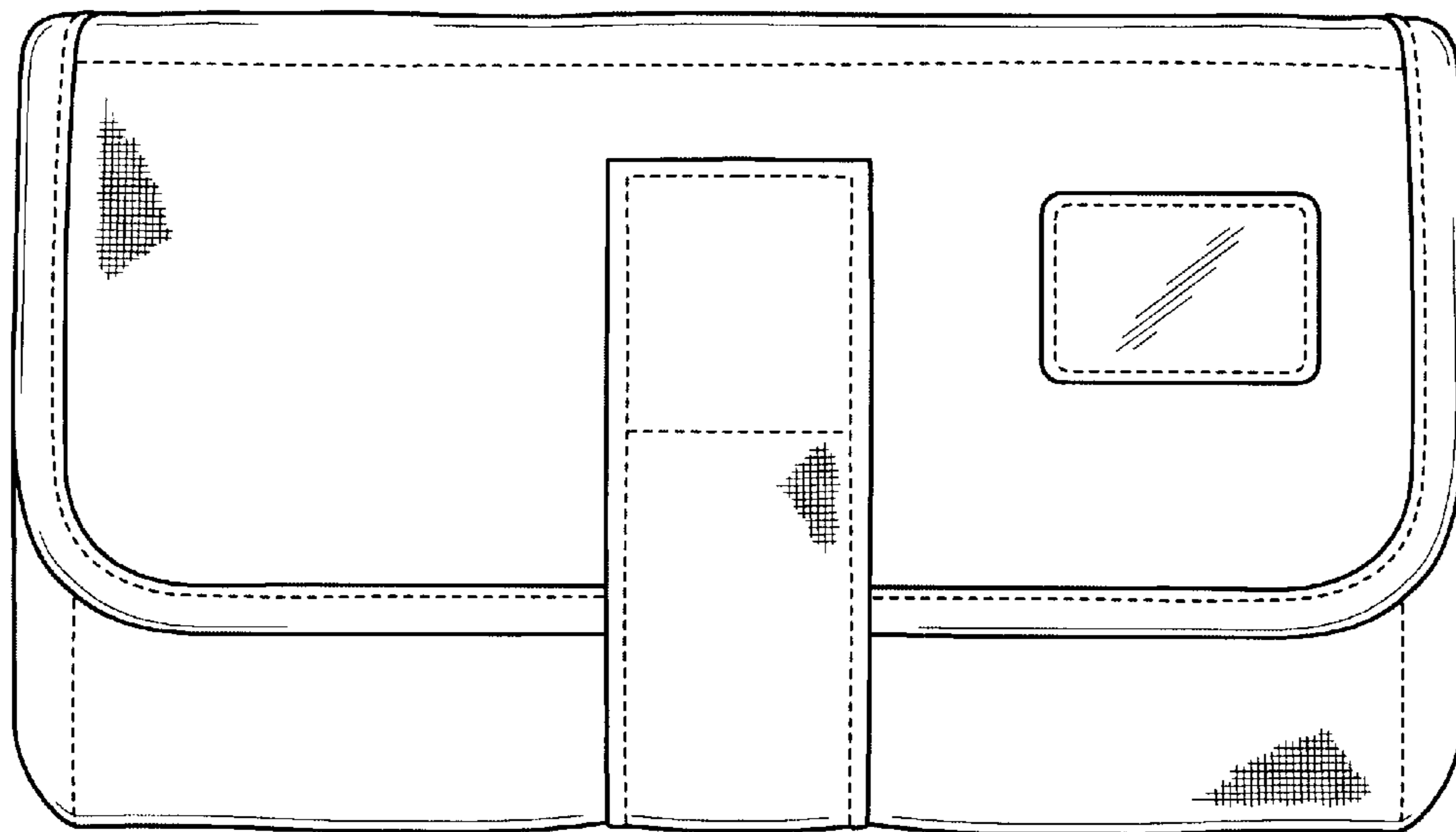


FIG. 9

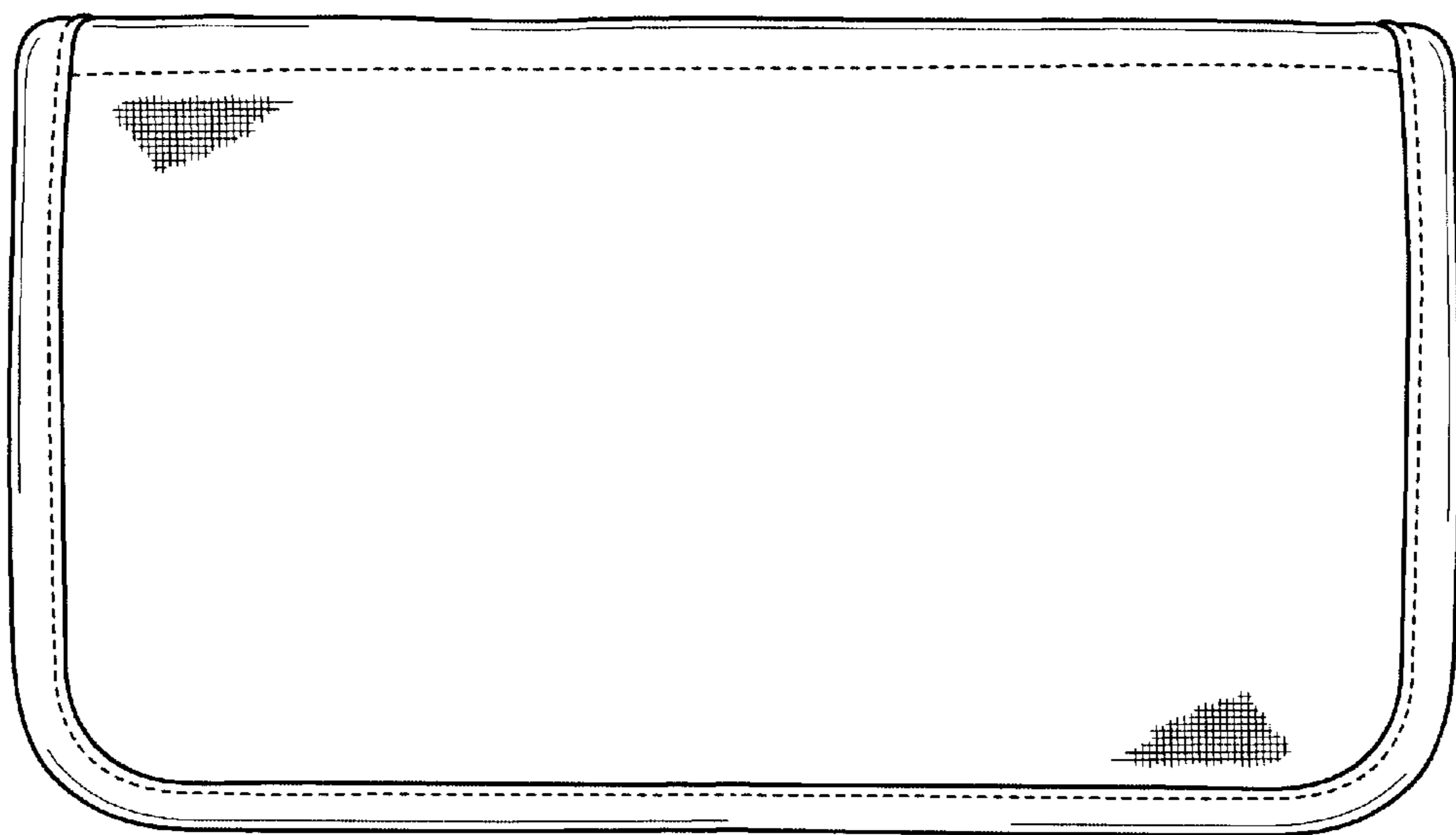


FIG. 10

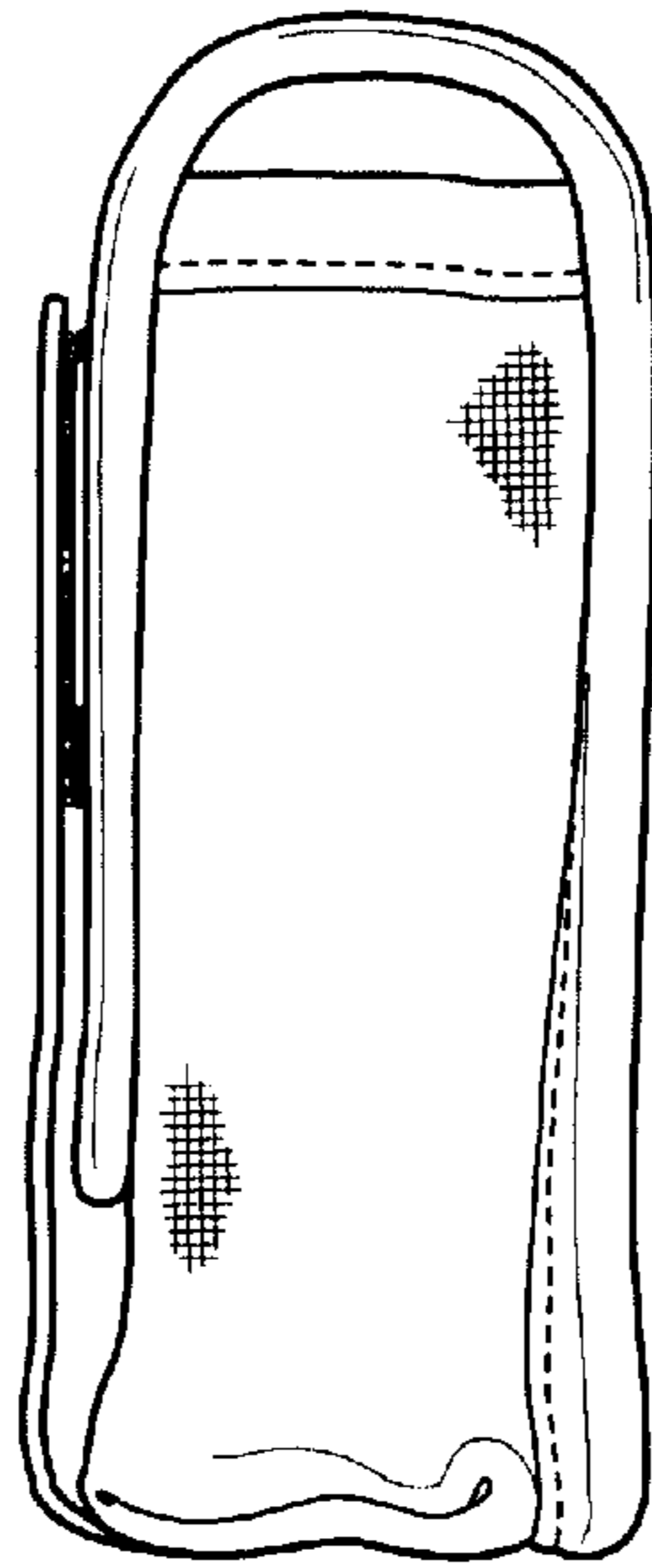


FIG. 11

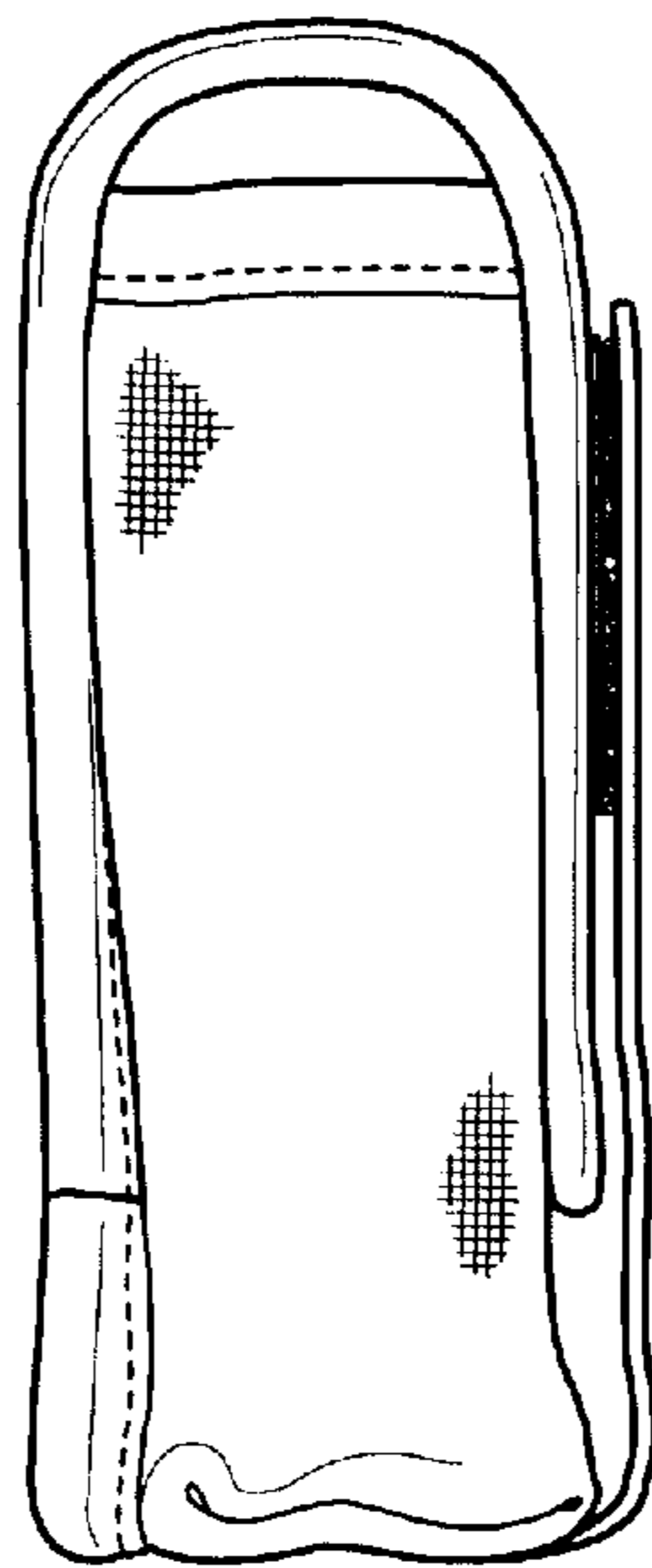


FIG. 12

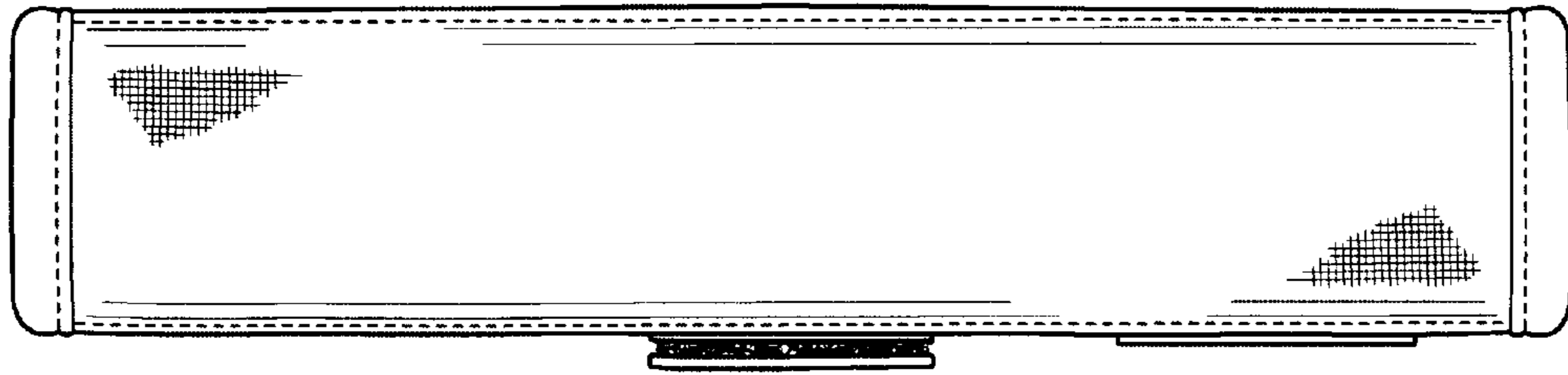


FIG. 13

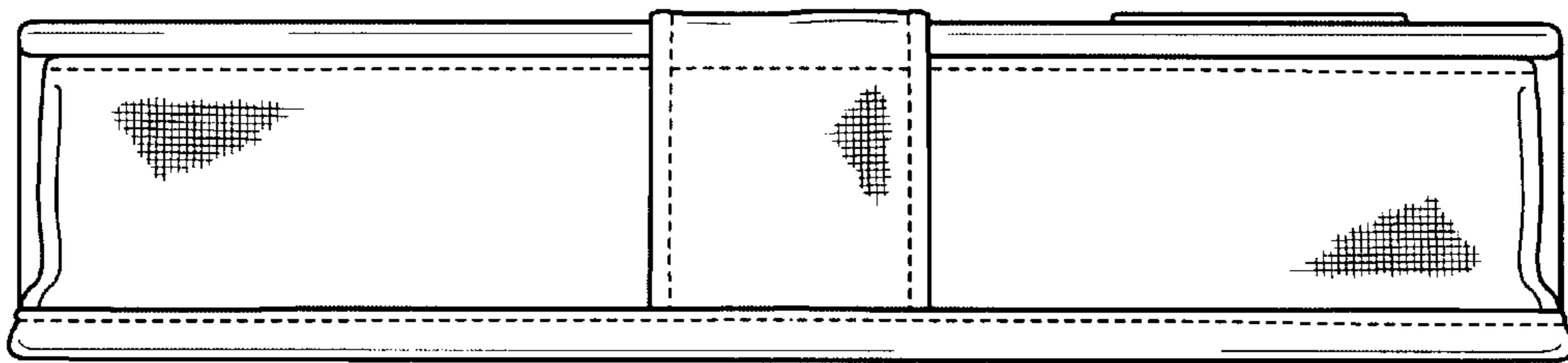


FIG. 14

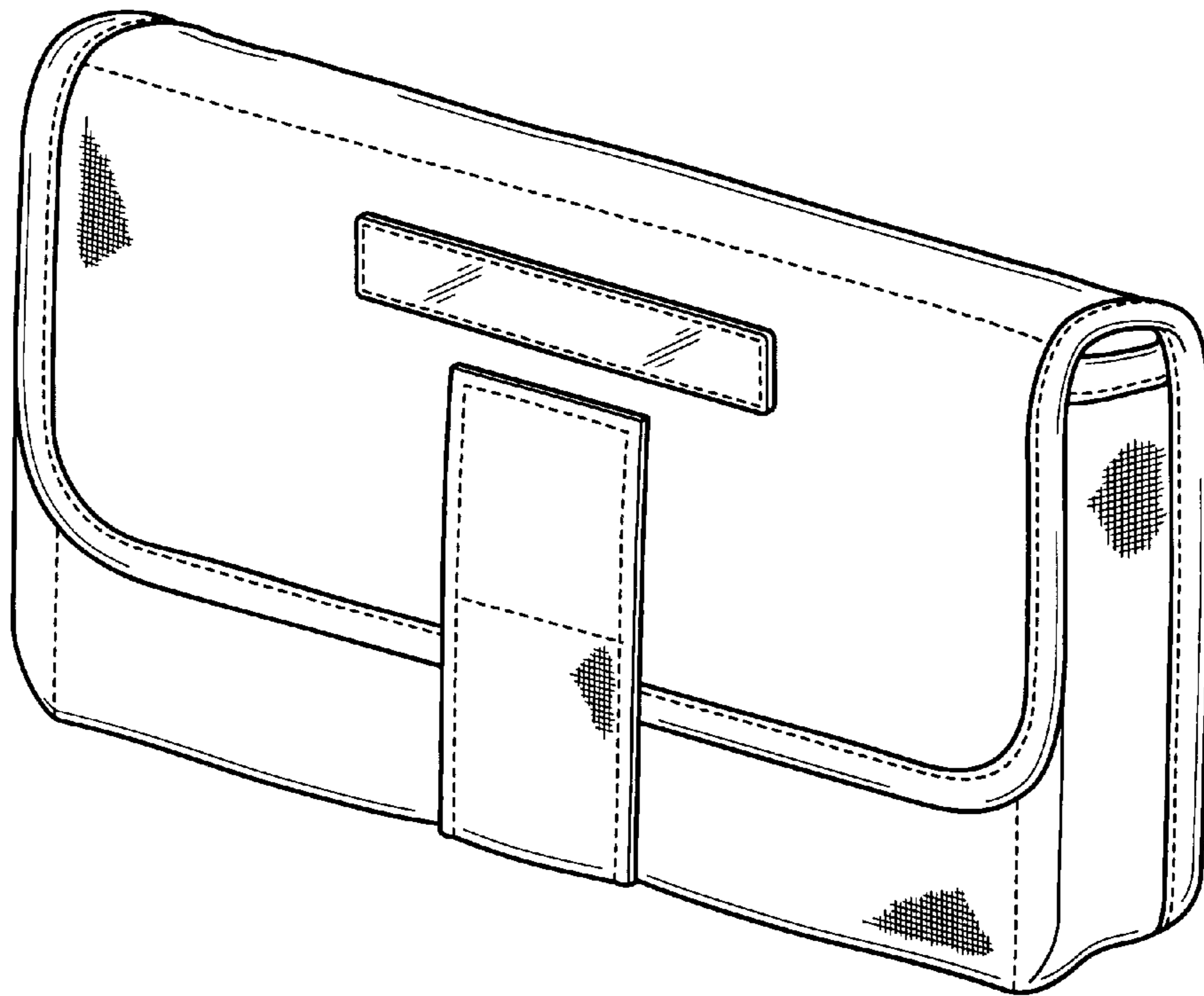


FIG. 15

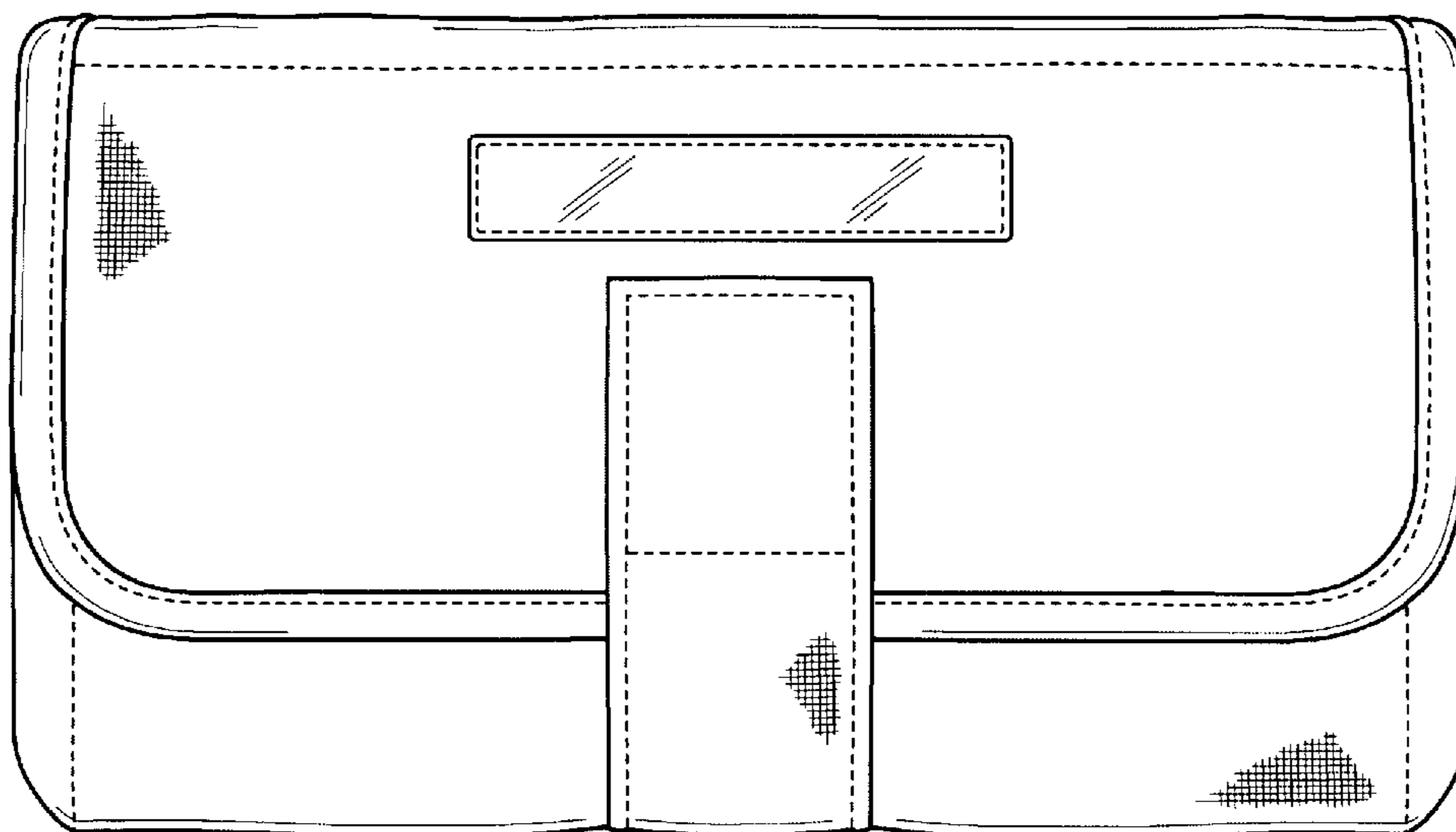


FIG. 16

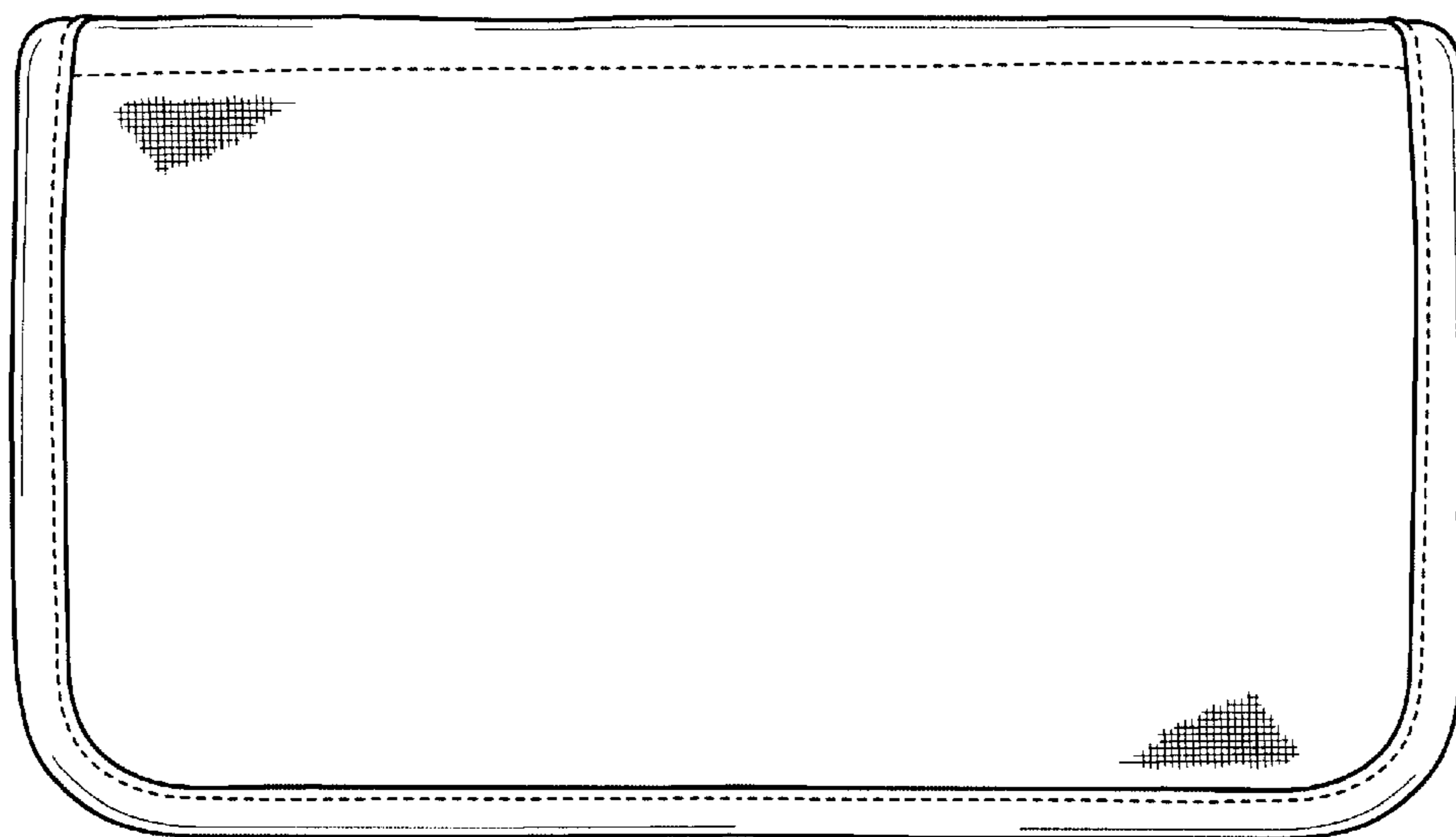


FIG. 17

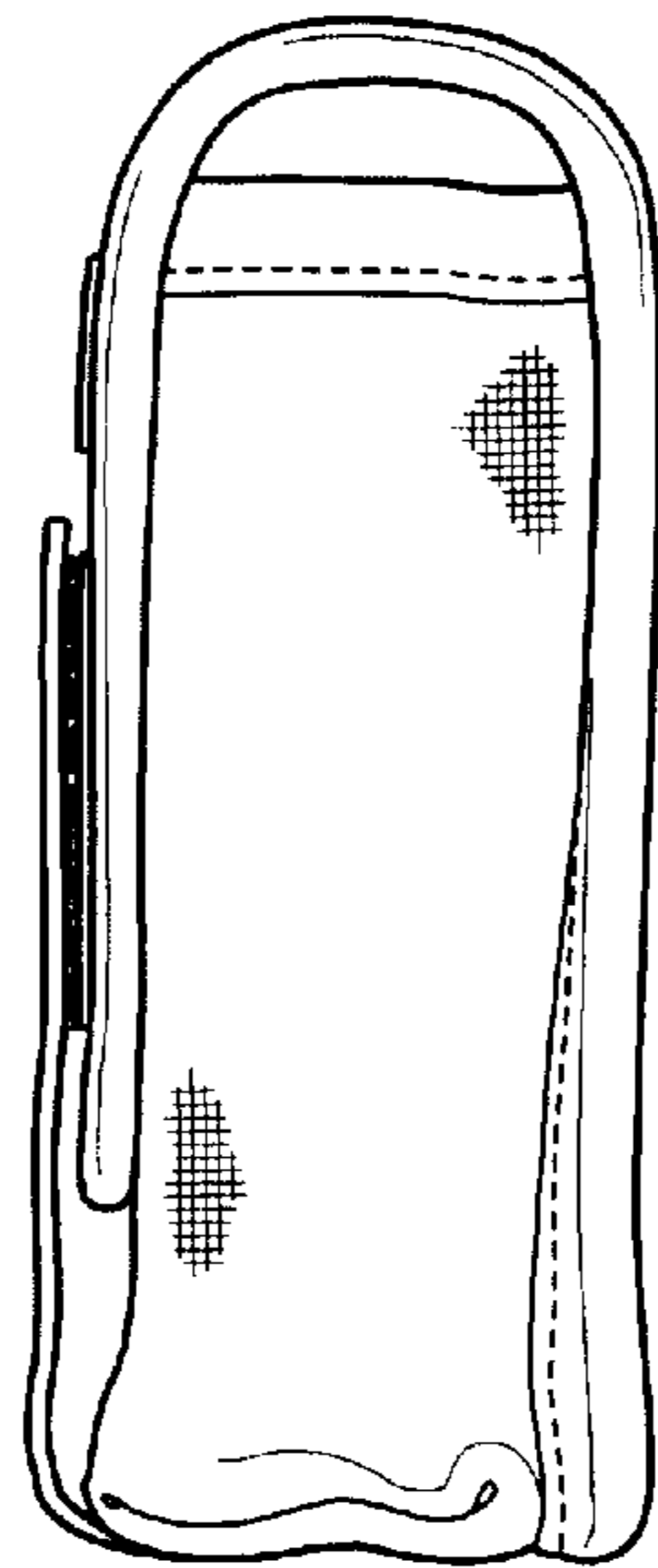


FIG. 18

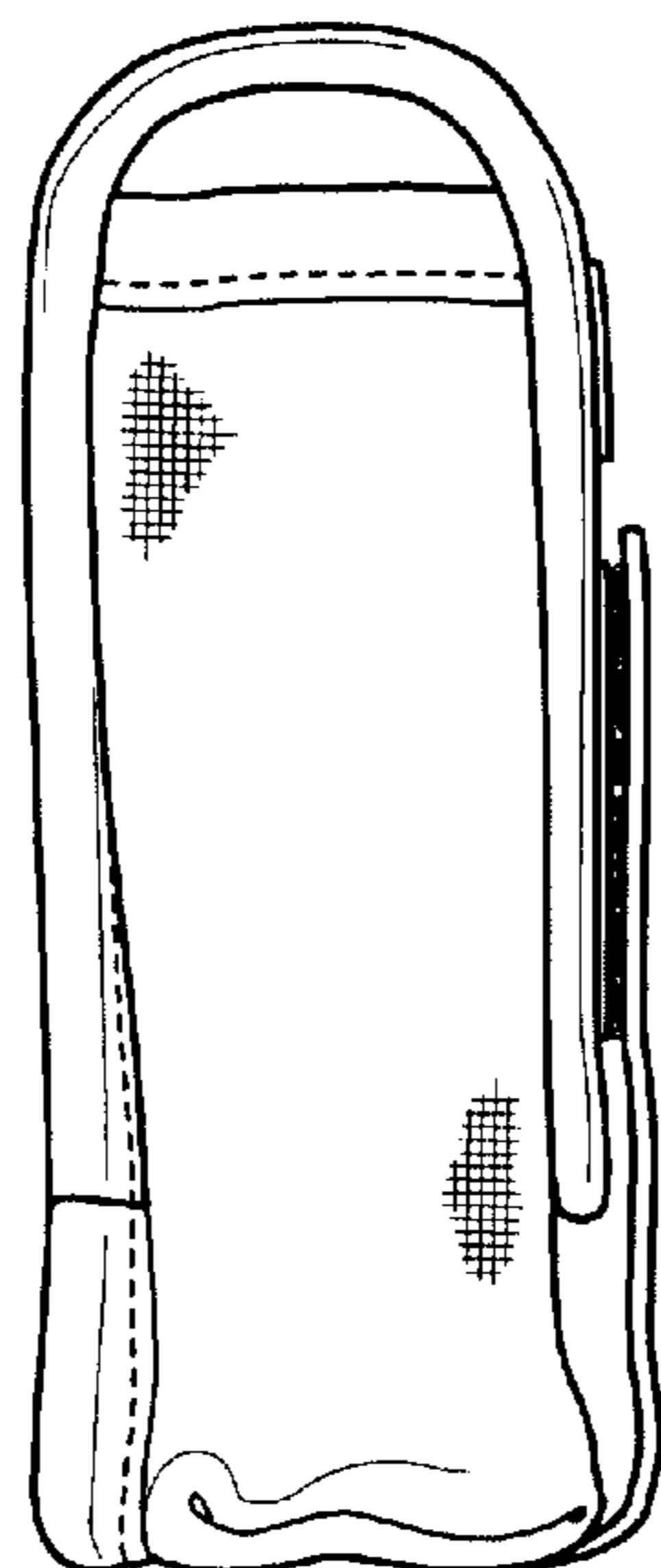


FIG. 19

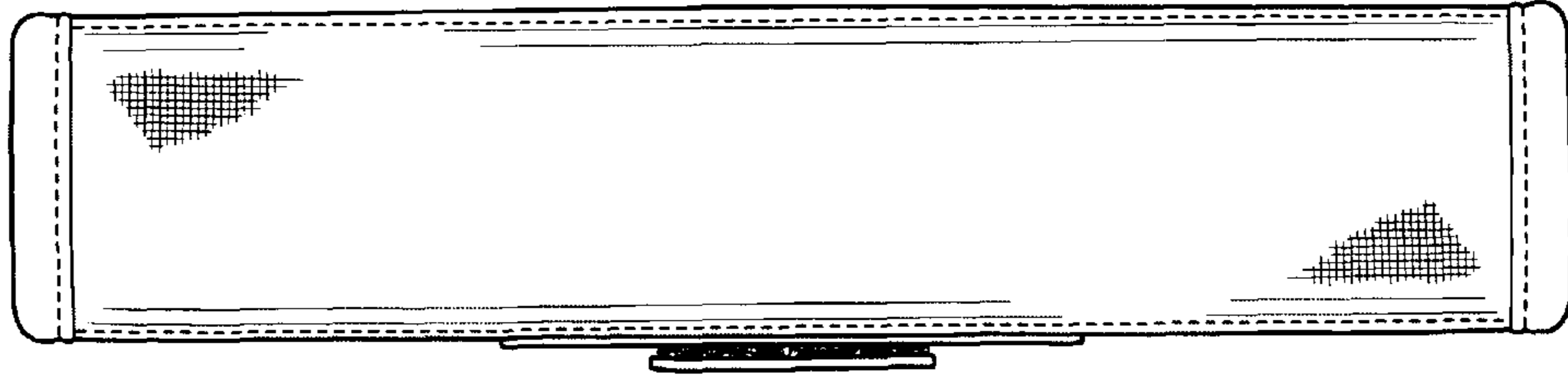


FIG. 20

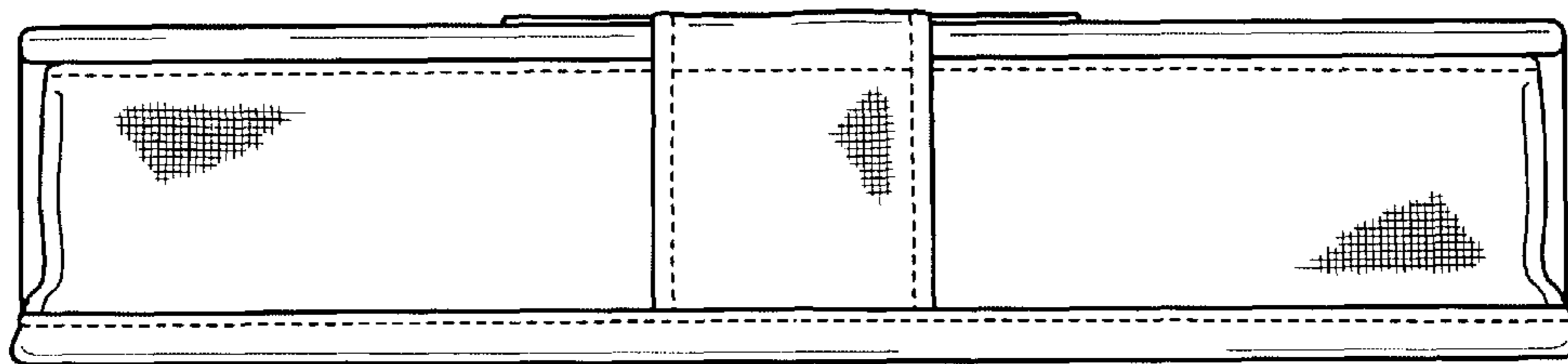


FIG. 21