



US00D518948S

(12) **United States Design Patent**  
**Calkins et al.**

(10) **Patent No.: US D518,948 S**

(45) **Date of Patent: \*\* Apr. 18, 2006**

(54) **CANE HOLDER**

(76) Inventors: **Christopher L. Calkins**, 14719  
Holiday Dr. KP N, Gig Harbor, WA  
(US) 98329-5128; **Chere R. Conner**,  
14719 Holiday Dr., Gig Harbor, WA  
(US) 98329-5128

(\*\*) **Term: 14 Years**

(21) **Appl. No.: 29/234,189**

(22) **Filed: Jul. 14, 2005**

(51) **LOC (8) Cl. .... 03-03**

(52) **U.S. Cl. .... D3/10**

(58) **Field of Classification Search** ..... 135/65,  
135/77-82, 86, 44, 15.1, 98, 910, 16, 911;  
D3/5-7, 9, 10, 12, 17; D6/416; D11/143,  
D11/146, 152-153

See application file for complete search history.

(56) **References Cited**

**U.S. PATENT DOCUMENTS**

D20,276 S	*	11/1890	Clogg	.....	D3/17
D132,195 S	*	4/1942	Shedlo	.....	D3/17
3,467,117 A	*	9/1969	Lucibello	.....	135/77
3,906,971 A	*	9/1975	Burnstine	.....	135/65
4,509,741 A	*	4/1985	Smith	.....	135/69
4,562,851 A	*	1/1986	Frank	.....	135/78
D289,859 S	*	5/1987	Johnson et al.	.....	D10/66
4,881,564 A	*	11/1989	Fetterman	.....	135/82
5,178,176 A	*	1/1993	Fetterman	.....	135/86
5,238,013 A	*	8/1993	Battiston et al.	.....	135/75

5,301,703 A	*	4/1994	Kahn	.....	135/77
5,307,828 A	*	5/1994	Gardner et al.	.....	135/82
D359,162 S	*	6/1995	Knight	.....	D3/17
D362,336 S	*	9/1995	Weaver	.....	D3/17
5,485,862 A	*	1/1996	Kahn	.....	135/77
D370,995 S	*	6/1996	Kachure et al.	.....	D3/7
5,713,382 A	*	2/1998	Midcap	.....	135/84
5,794,638 A	*	8/1998	Richey et al.	.....	135/65
D417,068 S	*	11/1999	Swercheck, Sr. et al.	.....	D3/7
D417,070 S	*	11/1999	Wylar	.....	D3/17
6,192,908 B1	*	2/2001	Smith	.....	135/66
D476,803 S	*	7/2003	Margolis	.....	D3/17
2002/0017596 A1	*	2/2002	Spitzer	.....	248/155
2002/0129847 A1	*	9/2002	Ma	.....	135/98

\* cited by examiner

*Primary Examiner*—Sandra Snapp

(74) *Attorney, Agent, or Firm*—Dean A. Craine

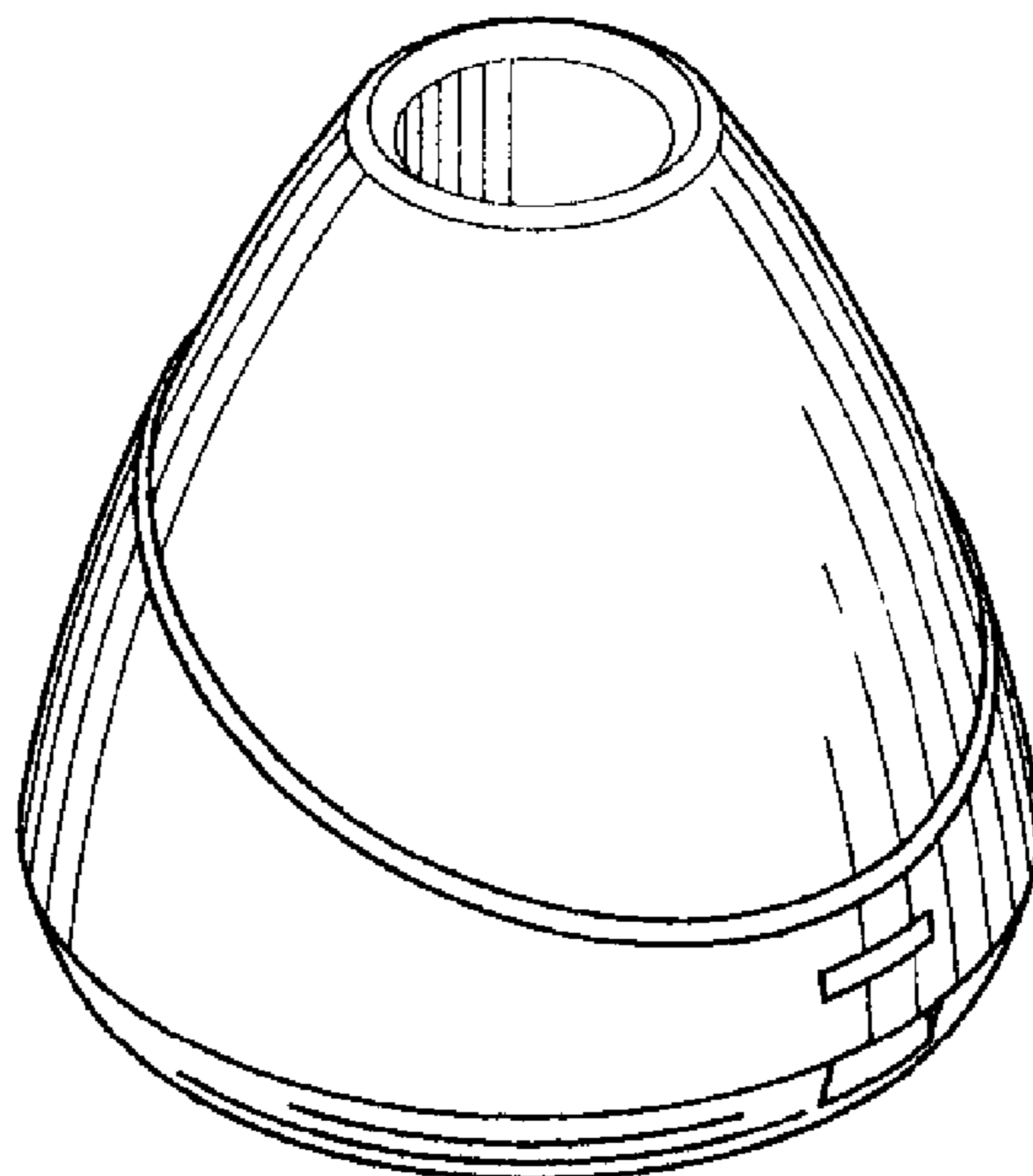
(57) **CLAIM**

The ornamental design for a cane holder, as shown and described.

**DESCRIPTION**

FIG. 1 is a perspective view of a cane holder.  
FIG. 2 is a top plan view of the cane holder.  
FIG. 3 is a front elevational view of the cane holder  
FIG. 4 is a left side elevational view of the cane holder.  
FIG. 5 is a right side elevational view of the cane holder.  
FIG. 6 is a rear elevational view of the cane holder; and,  
FIG. 7 is a bottom plan view of the cane holder.

**1 Claim, 1 Drawing Sheet**



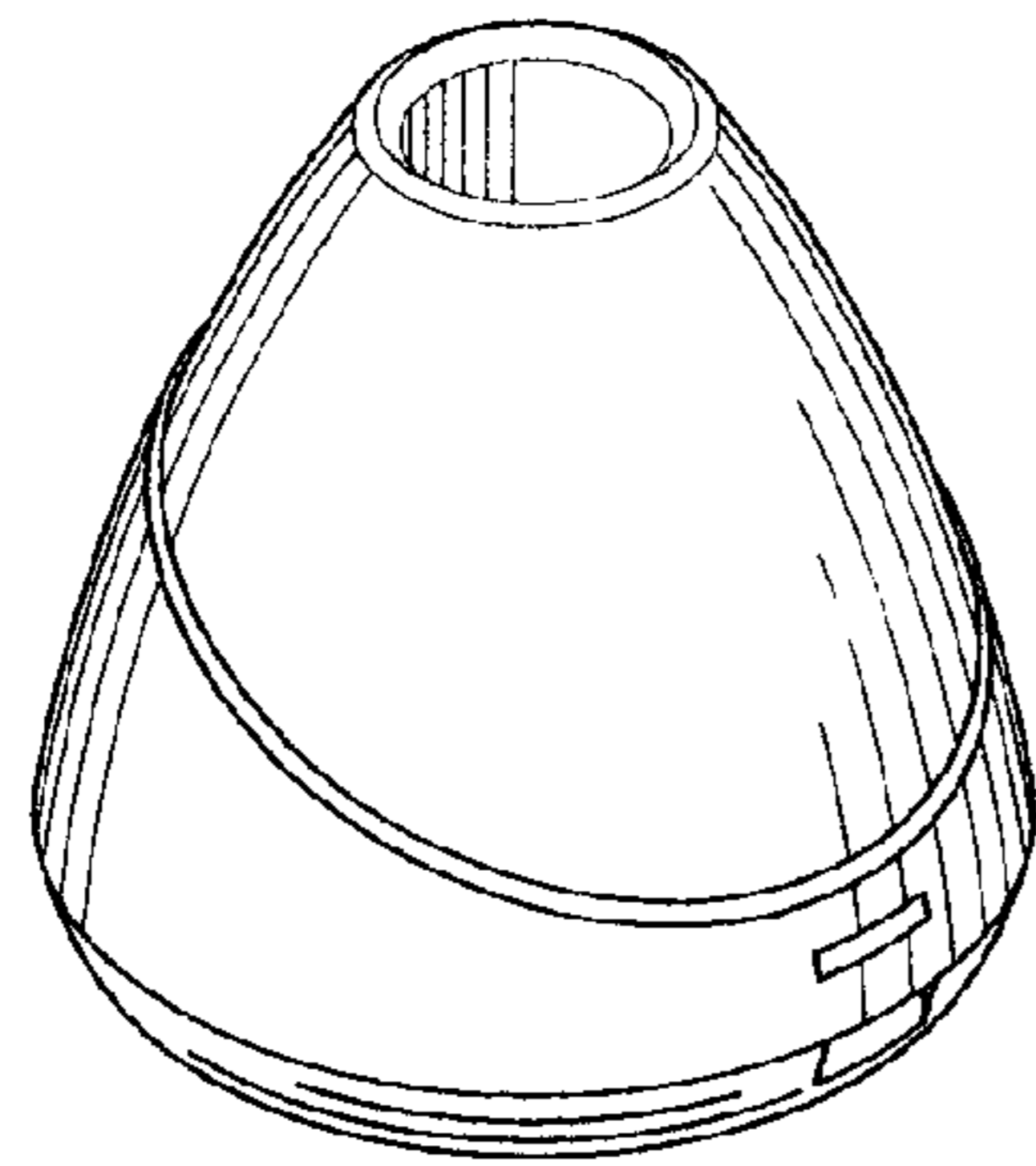


Fig. 1

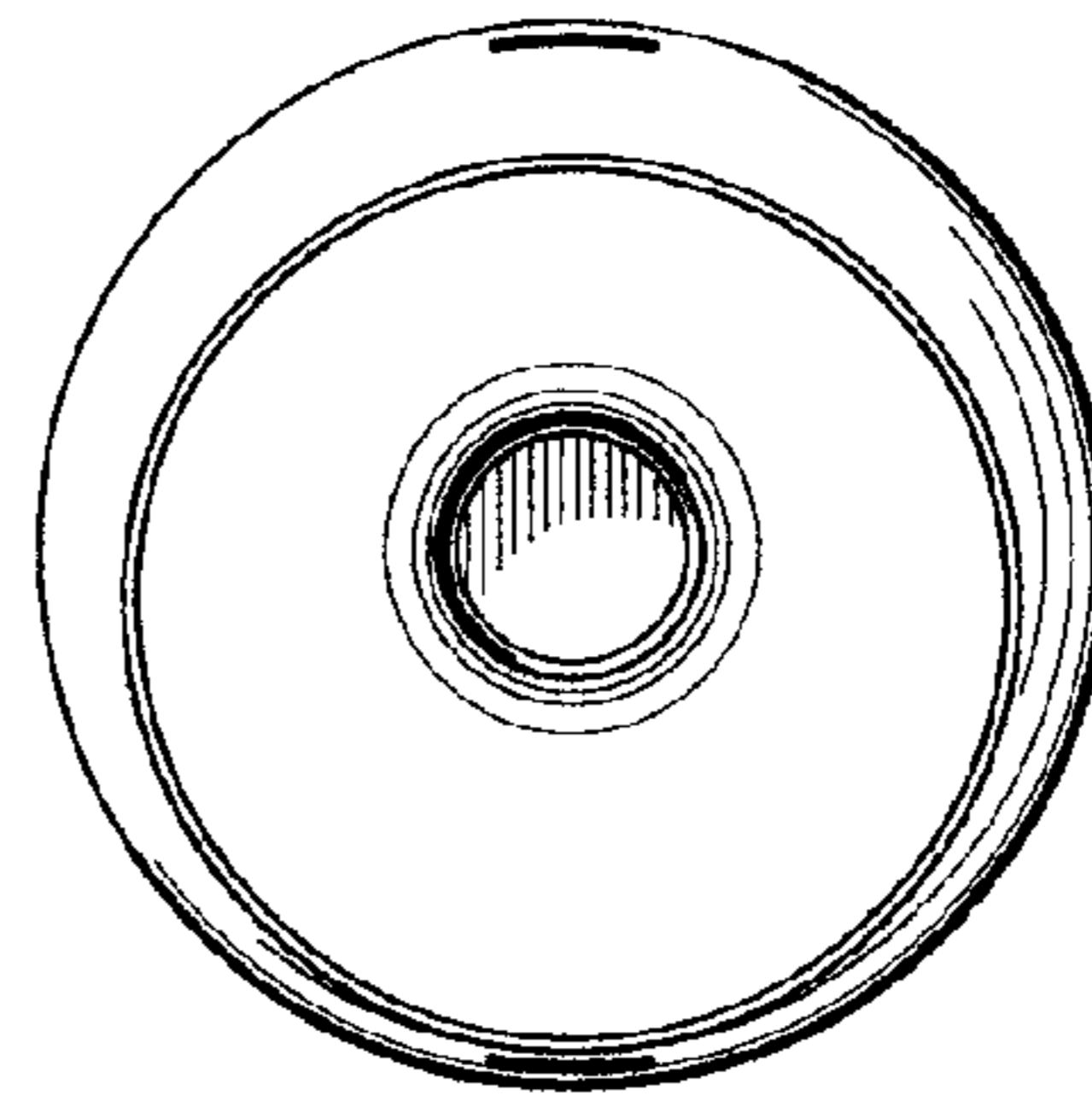


Fig. 2

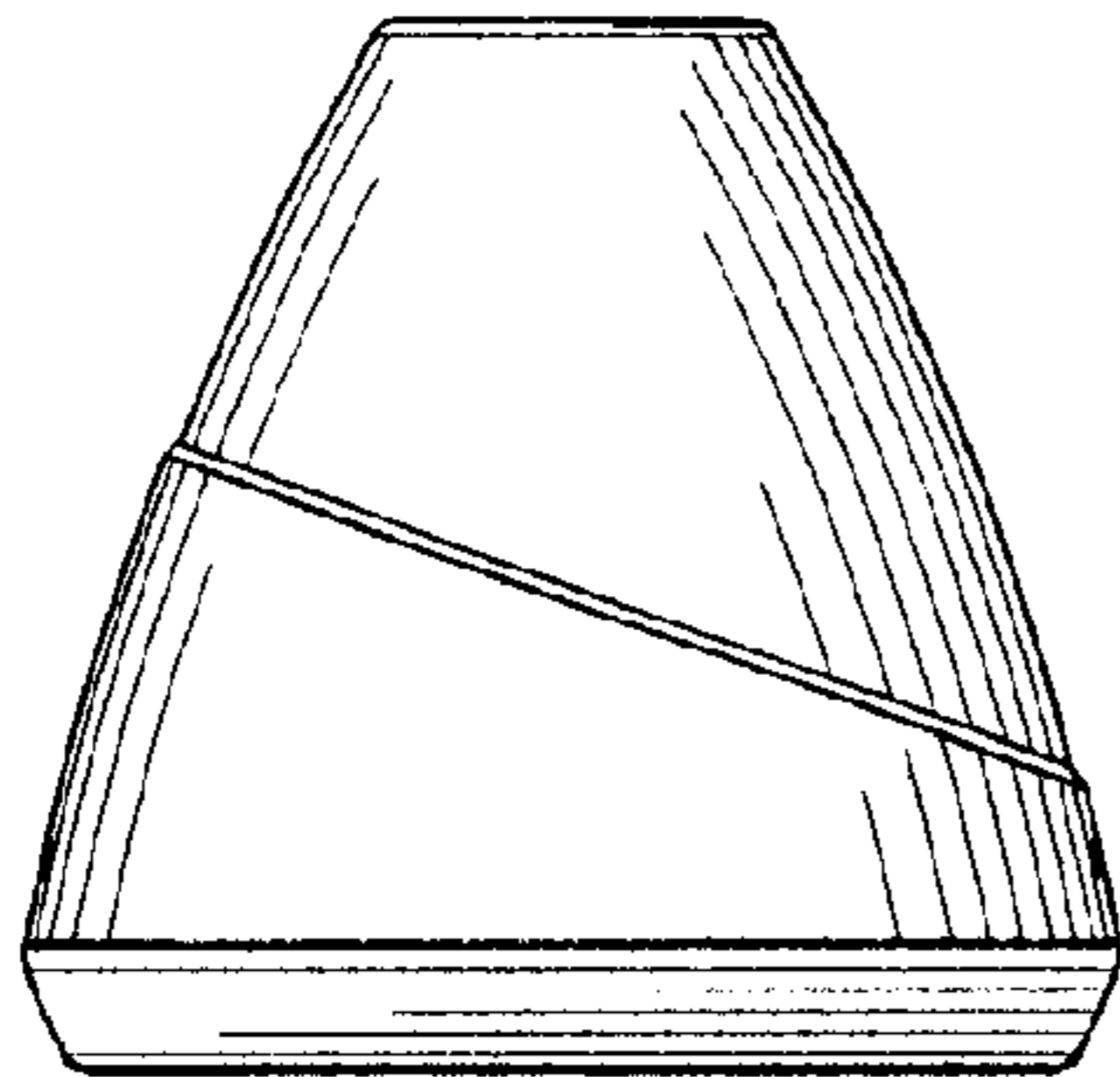


Fig. 4

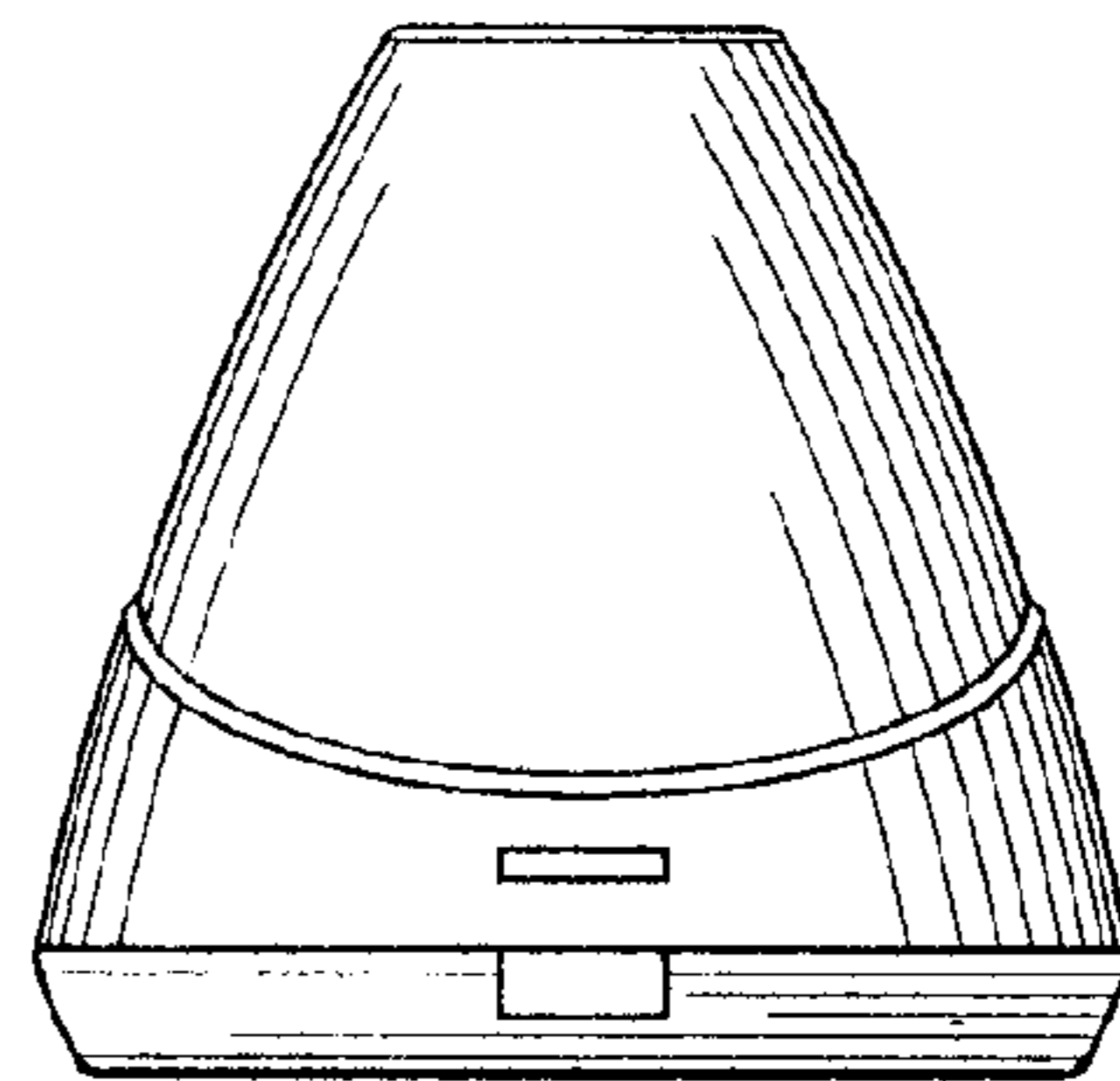


Fig. 3

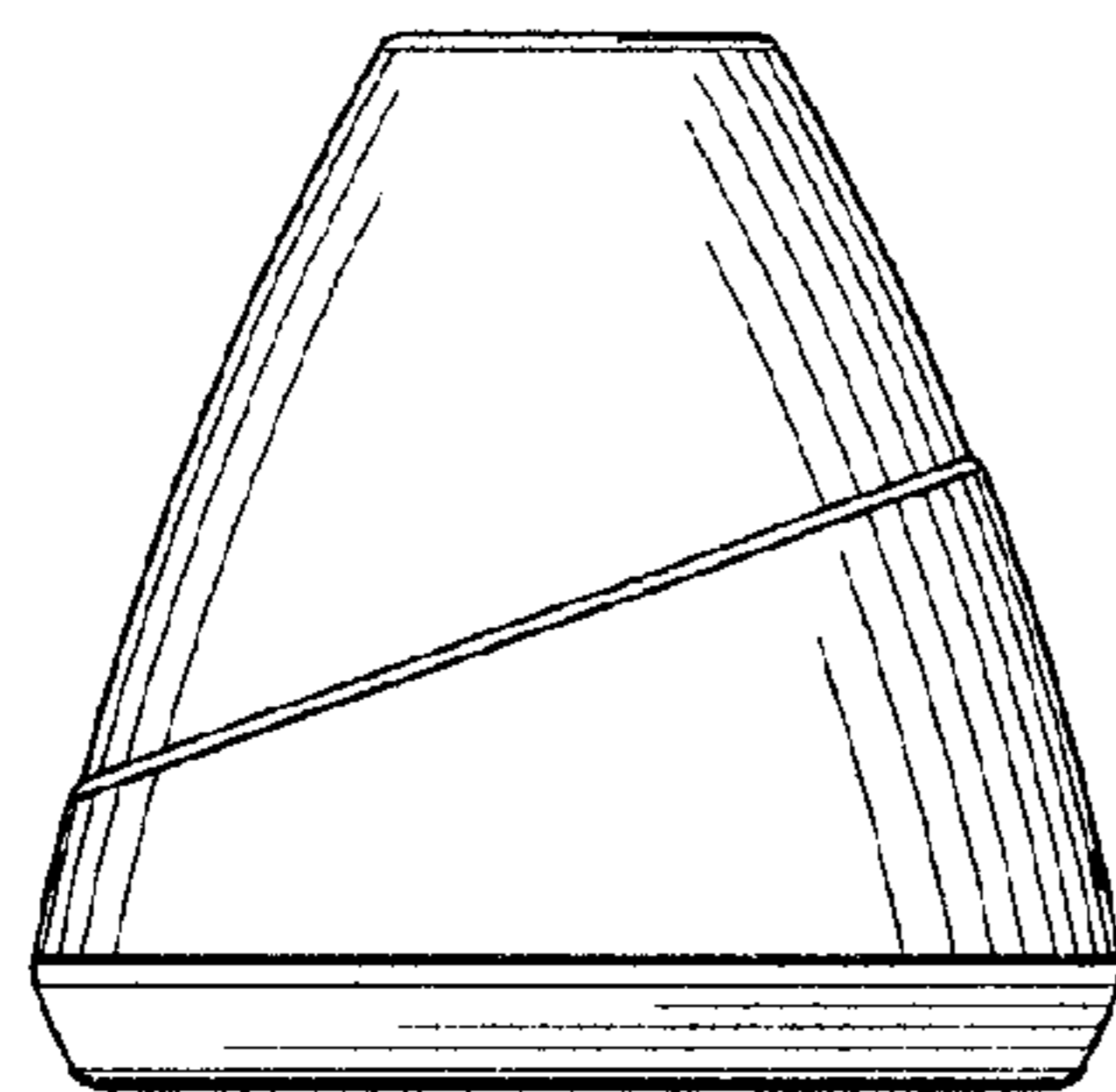


Fig. 5

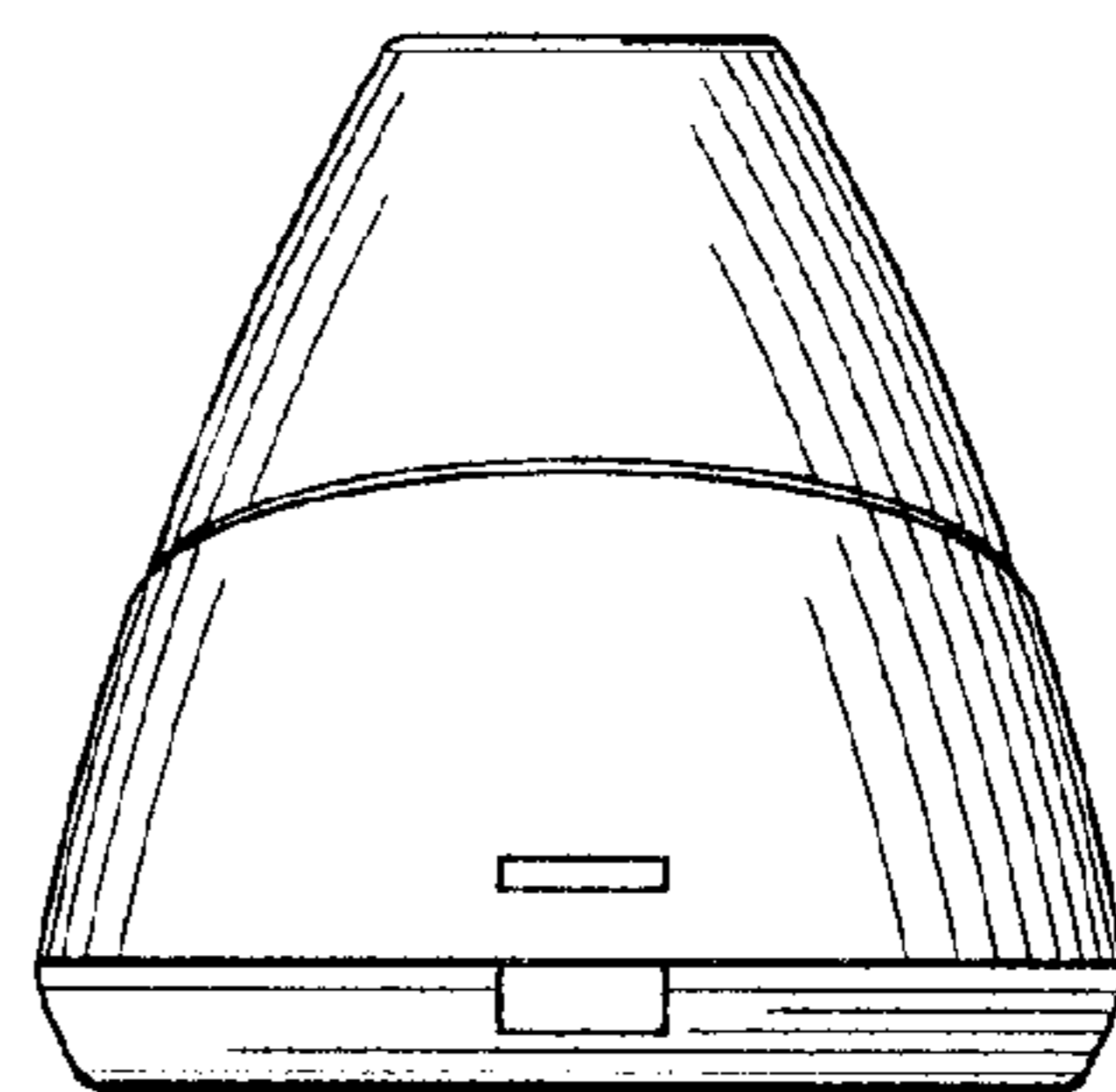


Fig. 6

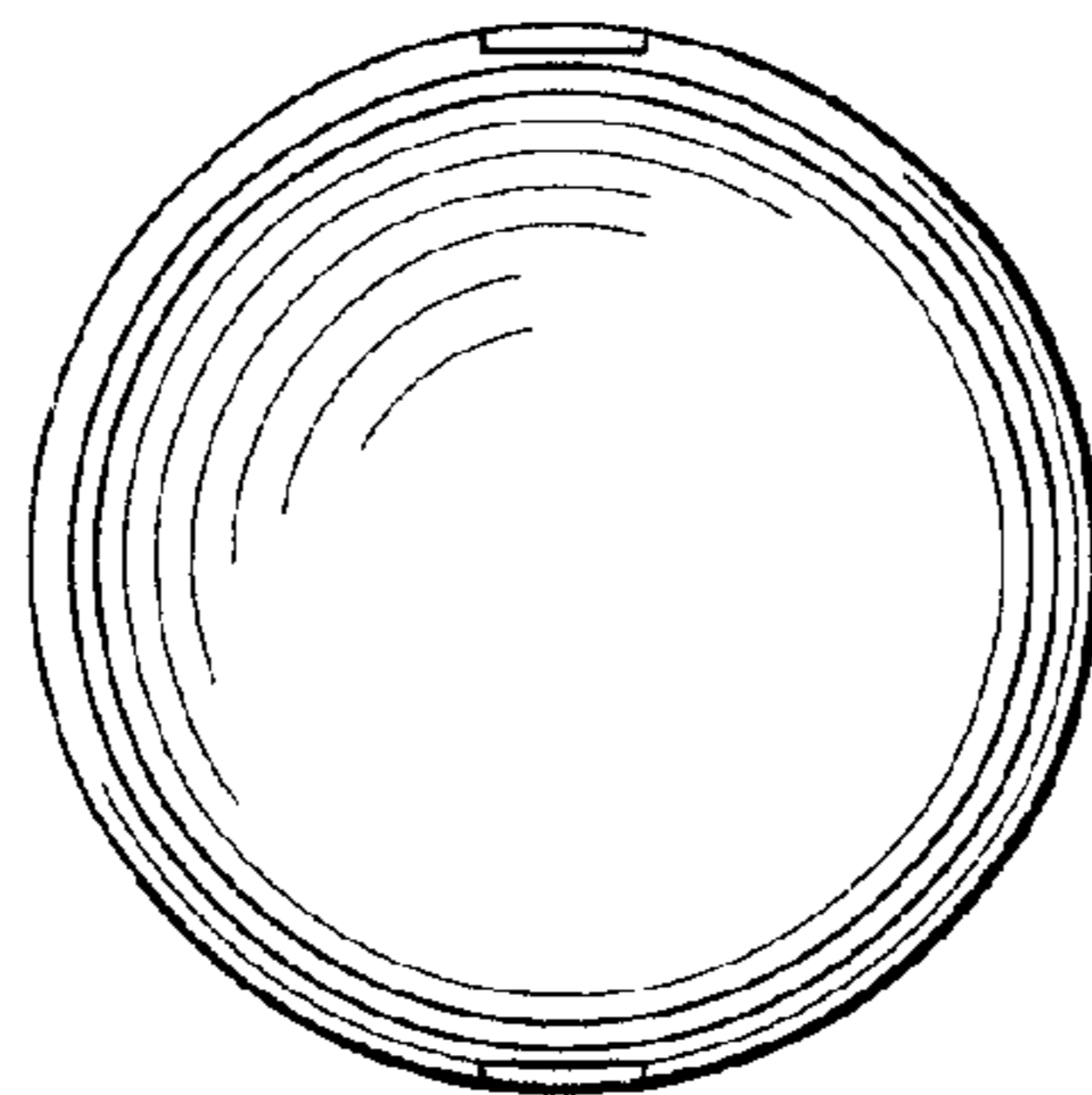


Fig. 7