



US00D518939S

(12) **United States Design Patent**
Borgerding

(10) **Patent No.:** **US D518,939 S**

(45) **Date of Patent:** **** Apr. 11, 2006**

(54) **TRANSLUCENT CROSS SHAPED URN**

5,704,103 A 1/1998 Crowley et al.

5,875,528 A 3/1999 Parker

(76) Inventor: **Ted A. Borgerding**, 4154 Laura Marie
Dr., Waynesville, OH (US) 45068

5,896,632 A 4/1999 Sturino

D443,970 S * 6/2001 Stucker D99/27

D492,079 S 6/2004 Feltman

(**) Term: **14 Years**

* cited by examiner

(21) Appl. No.: **29/223,649**

Primary Examiner—Paula A. Greene

(22) Filed: **Feb. 17, 2005**

(74) *Attorney, Agent, or Firm*—R. William Graham

(51) **LOC (8) Cl.** **99-00**

(57) **CLAIM**

(52) **U.S. Cl.** **D99/5**; D99/25

The ornamental design for a translucent cross shaped urn, as shown and described.

(58) **Field of Classification Search** D99/5,
D99/17, 18, 23, 25, 27; 27/1; D20/41; 40/124.5;
D11/96, 121; 428/3, 23; D6/300

DESCRIPTION

See application file for complete search history.

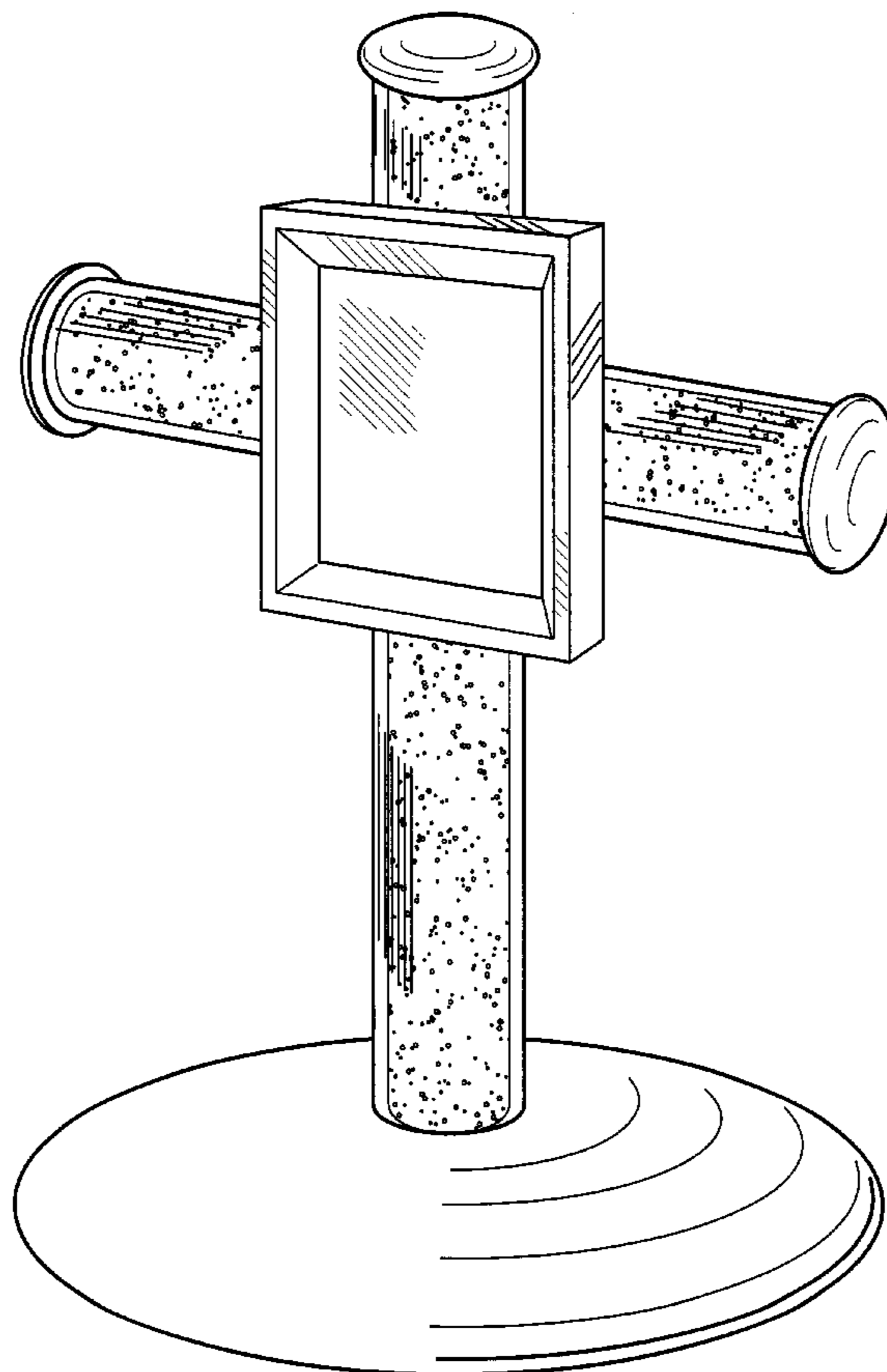
FIG. 1 is a front perspective view of a translucent cross shaped urn showing my new design;
FIG. 2 is a back perspective view of a translucent cross shaped urn showing my new design;
FIG. 3 is a side view taken from the left of a translucent cross shaped urn showing my new design, where the right side is a mirror image;
FIG. 4 is a top view of a translucent cross shaped urn showing my new design; and
FIG. 5 is bottom view of a translucent cross shaped urn showing my new design; and,
FIG. 6 is an exploded view thereof.

(56) **References Cited**

U.S. PATENT DOCUMENTS

1,651,780 A	*	12/1927	Slawson	40/124.5
4,199,848 A		4/1980	Kohnert		
D265,746 S	*	8/1982	Robillard	D20/41
D268,623 S		4/1983	Dercks et al.		
D272,577 S		2/1984	Dercks et al.		
4,648,162 A		3/1987	Daino		
D299,779 S	*	2/1989	Kohen et al.	D99/27
D300,079 S	*	2/1989	Smith	D99/27
5,625,933 A		5/1997	Neuberger et al.		
D385,672 S	*	10/1997	Noris	D99/27

1 Claim, 5 Drawing Sheets



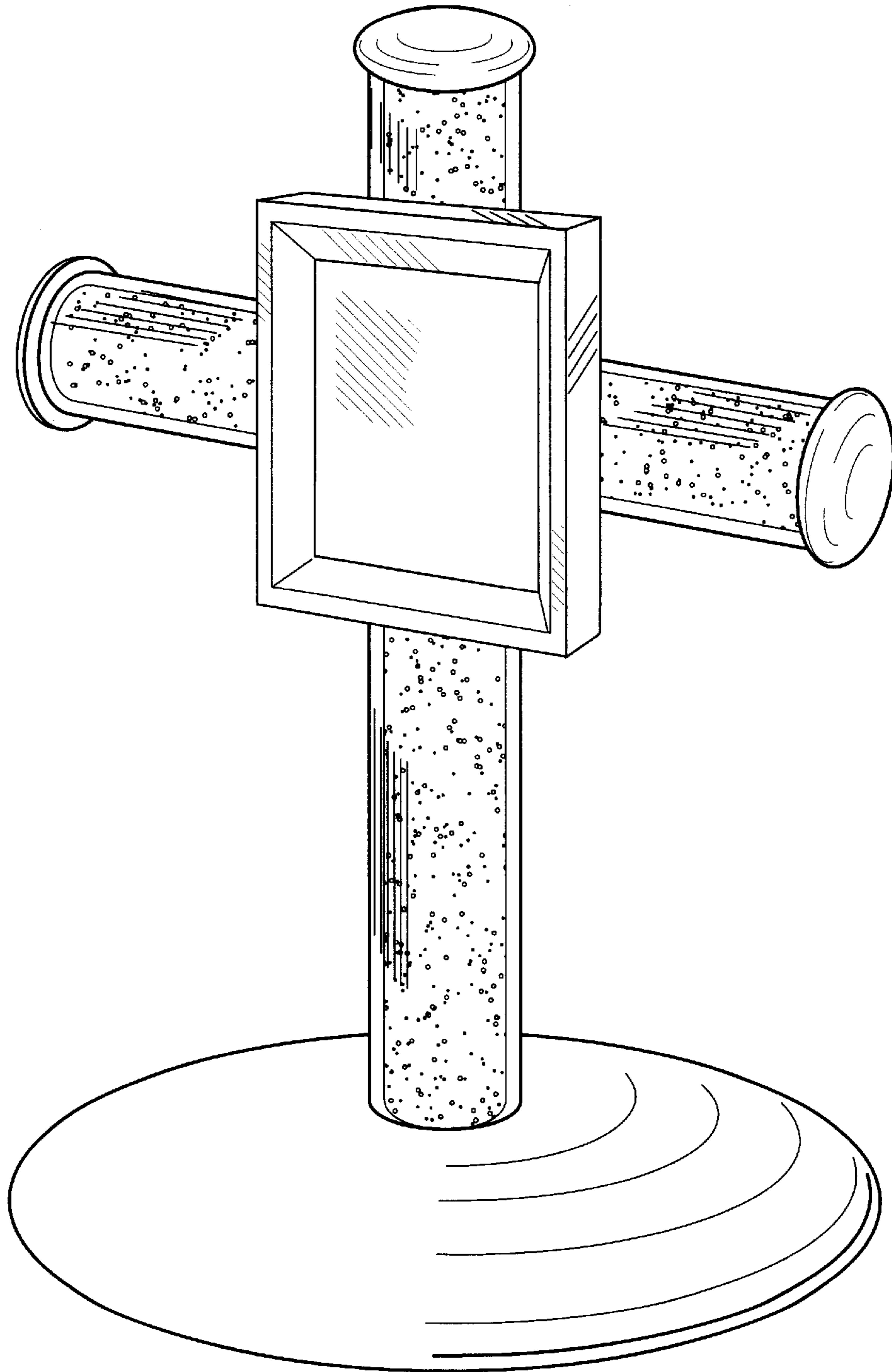


Fig. 1

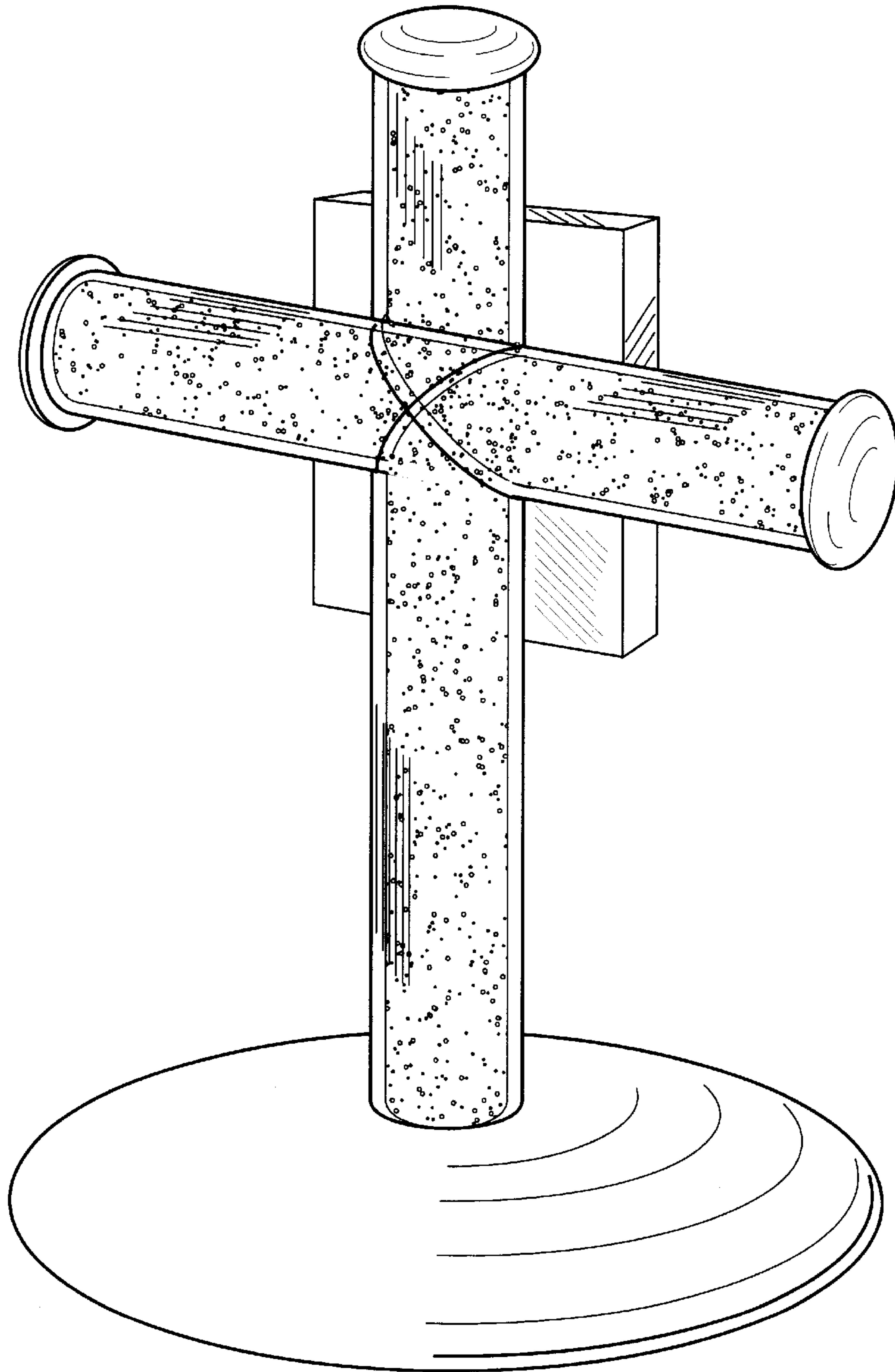


Fig. 2

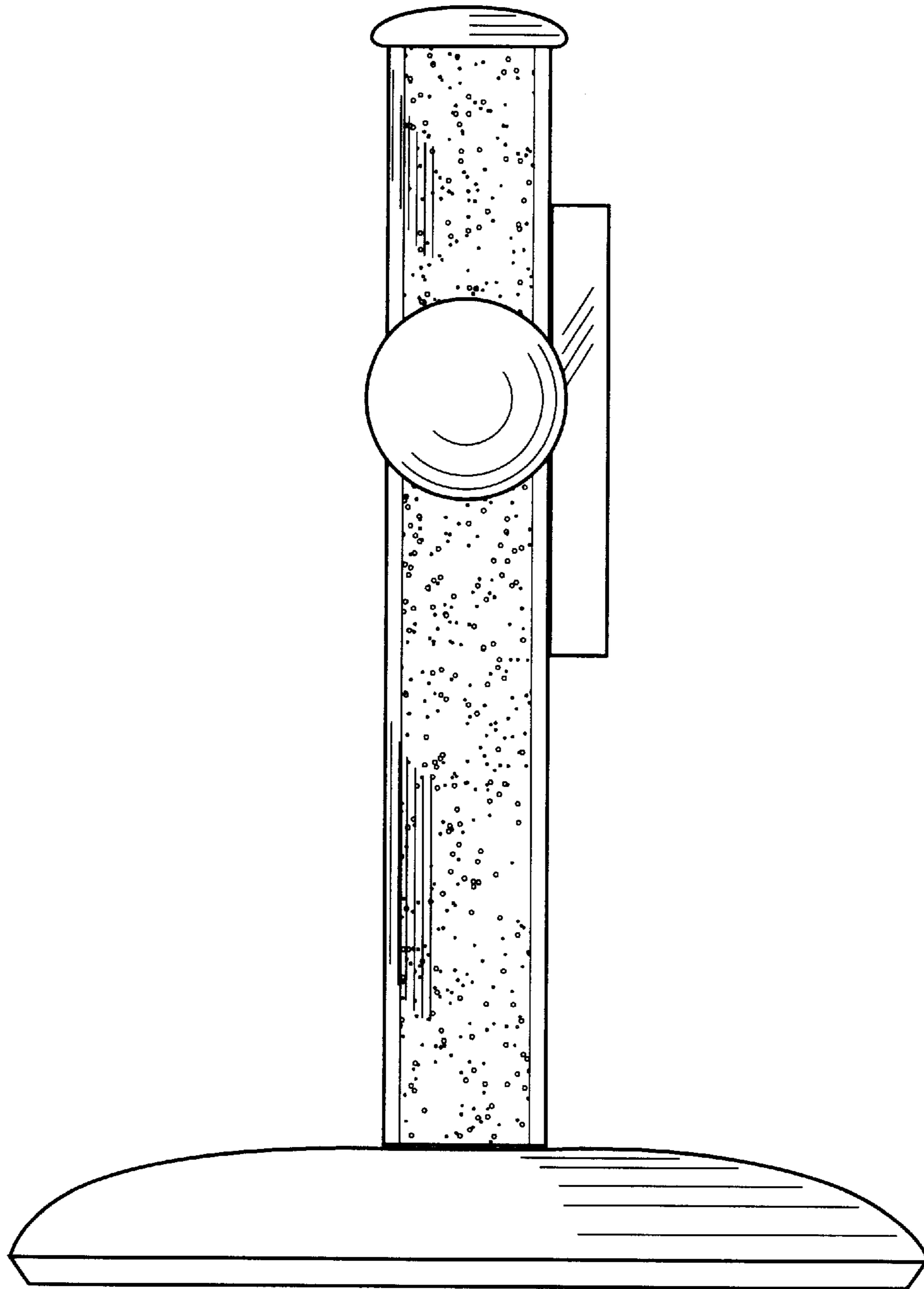


Fig. 3

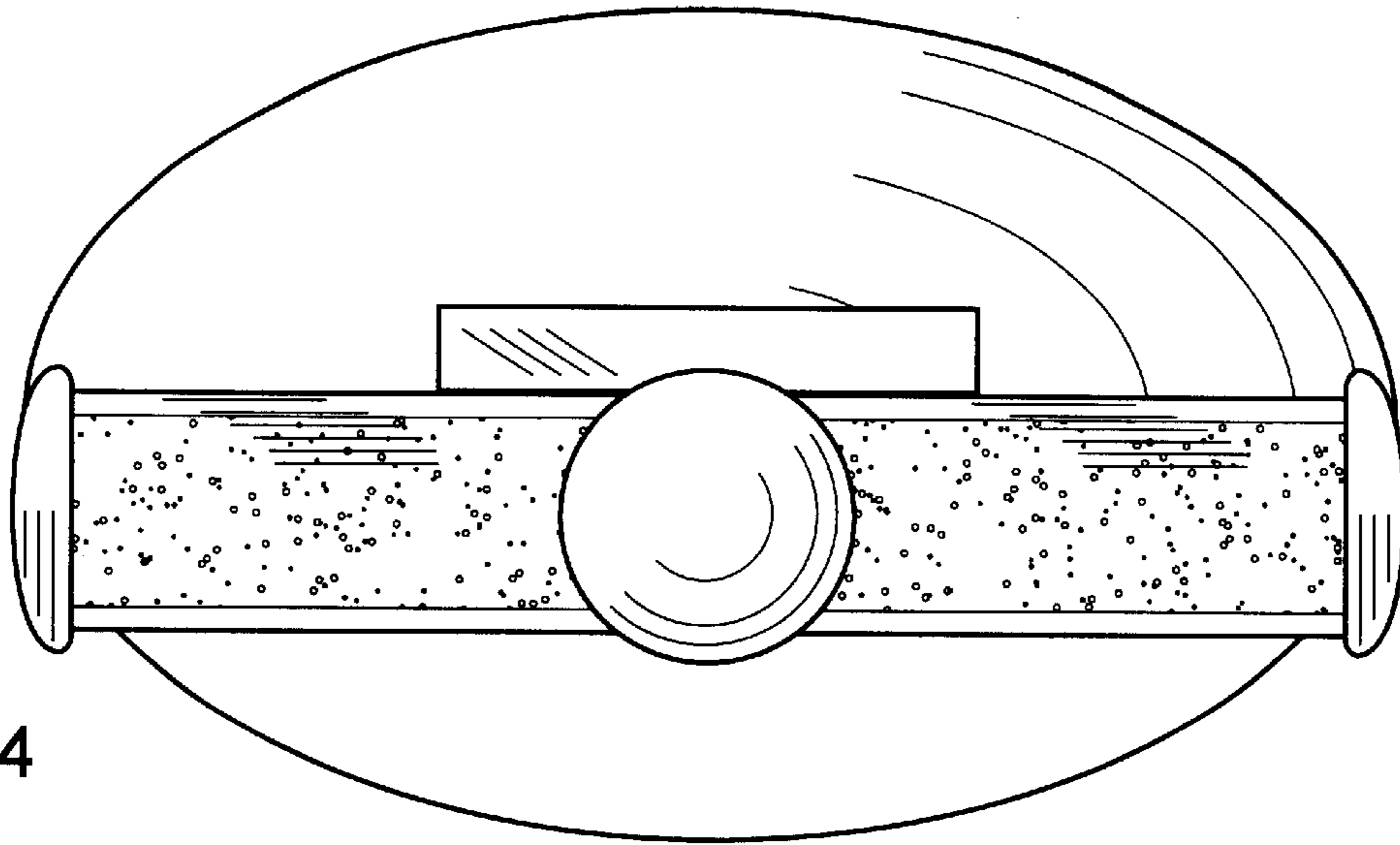


Fig. 4

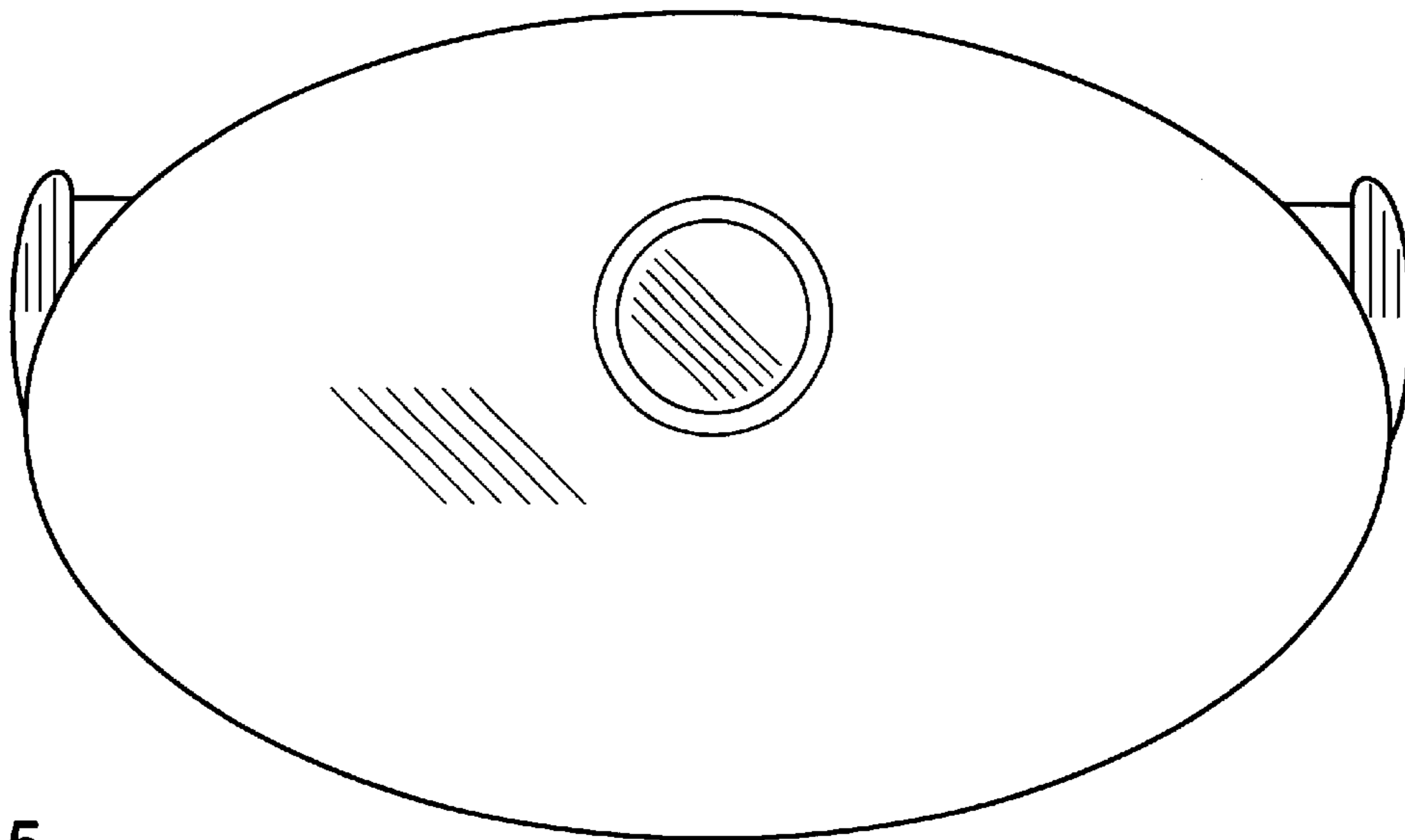


Fig. 5

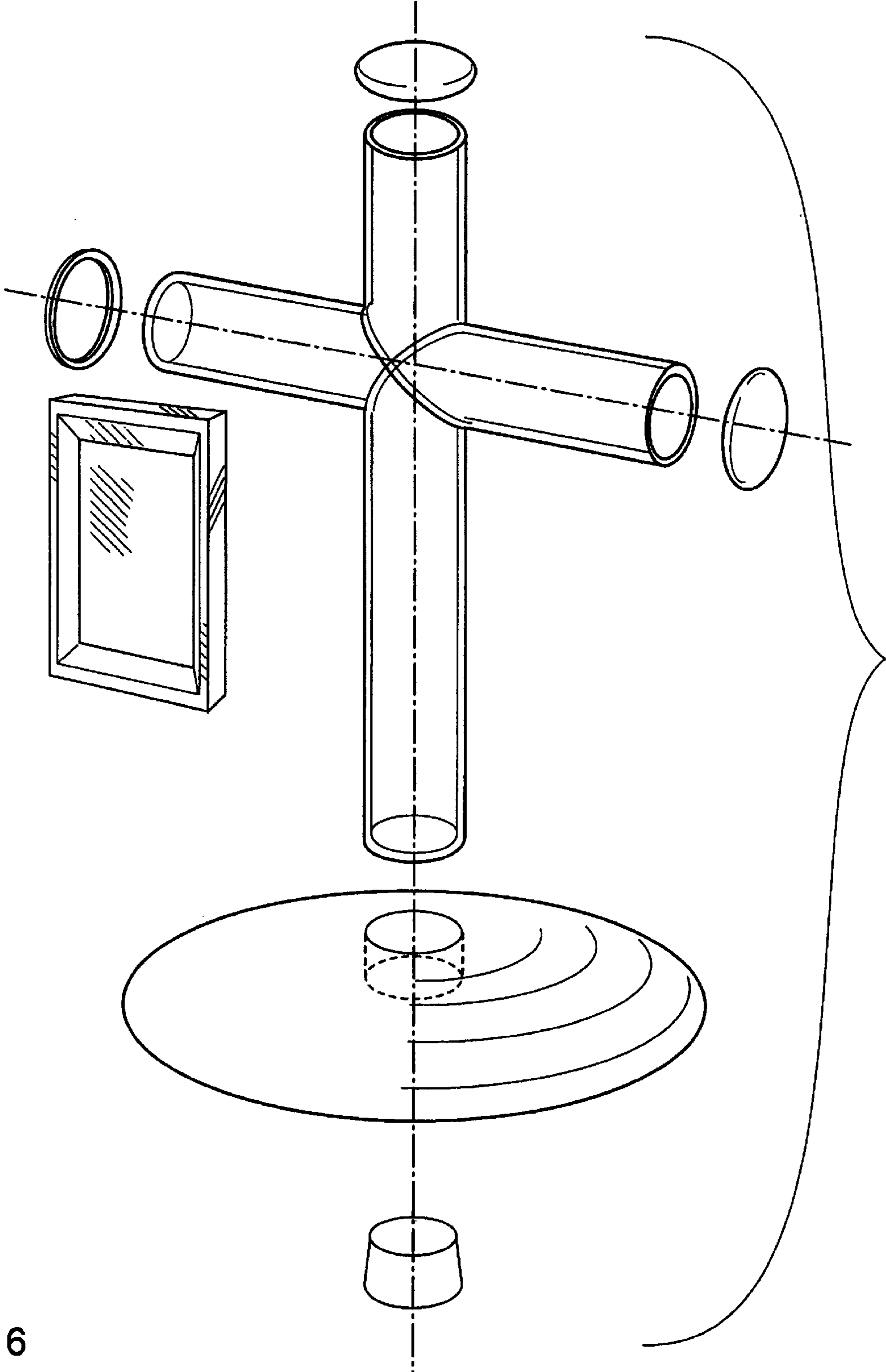


Fig. 6