



US00D518935S

(12) **United States Design Patent**
Leitch et al.

(10) **Patent No.:** **US D518,935 S**

(45) **Date of Patent:** **** Apr. 11, 2006**

(54) **PORTION OF A CLEANING IMPLEMENT**

D458,427 S * 6/2002 Kunkler et al. D32/45
D487,174 S * 2/2004 Colman et al. D32/45

(75) Inventors: **Steven Hilary Leitch**, Mason, OH (US); **Glenn Allen Bradbury**, Mason, OH (US); **Benjamin Jacob Clare**, Cincinnati, OH (US)

* cited by examiner

Primary Examiner—Alan P. Douglas
Assistant Examiner—Lavone D. Tabor

(73) Assignee: **The Procter & Gamble Company**, Cincinnati, OH (US)

(74) *Attorney, Agent, or Firm*—Thibault Fayette; Kim William Zerby; Steven W. Miller

(**) Term: **14 Years**

(57) **CLAIM**

The ornamental design for a portion of a cleaning implement, as shown and described.

(21) Appl. No.: **29/178,894**

(22) Filed: **Apr. 1, 2003**

DESCRIPTION

(51) **LOC (8) Cl.** **04-01**

FIG. 1 is a perspective view of the portion of a cleaning implement, embodying the new design;

(52) **U.S. Cl.** **D32/50**

FIG. 2 is a front view thereof;

(58) **Field of Classification Search** D32/40,

FIG. 3 is a back view thereof;

D32/45, 50, 51; 15/147.1, 147.2, 209.1, 210.1,

FIG. 4 is a right side thereof;

15/228, 231–232, 229.6, 229.7, 229.8; 401/137–140

FIG. 5 is a left side thereof;

See application file for complete search history.

FIG. 6 is a top view thereof; and,

FIG. 7 is a bottom view thereof.

(56) **References Cited**

The broken lines shown in the drawings are for illustrative purposes only and form no part of the claimed design.

U.S. PATENT DOCUMENTS

The claim is directed to the head portion only shown in FIGS. 1–6.

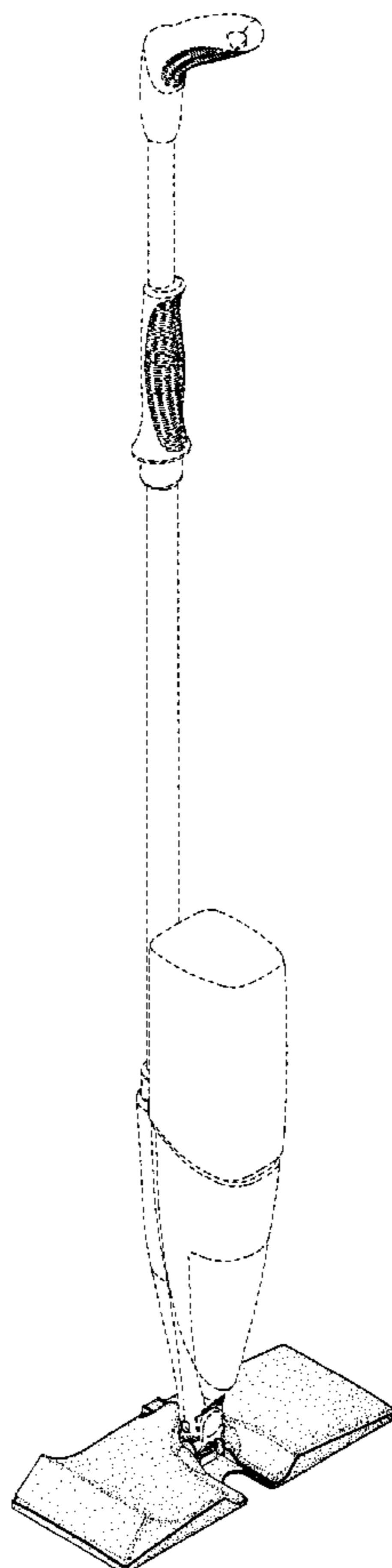
5,455,980 A * 10/1995 Buchanan 15/228

D391,715 S * 3/1998 Irwin et al. D32/50

D401,703 S * 11/1998 Beechuk et al. D32/45

D427,401 S * 6/2000 Kunkler D32/50

1 Claim, 4 Drawing Sheets



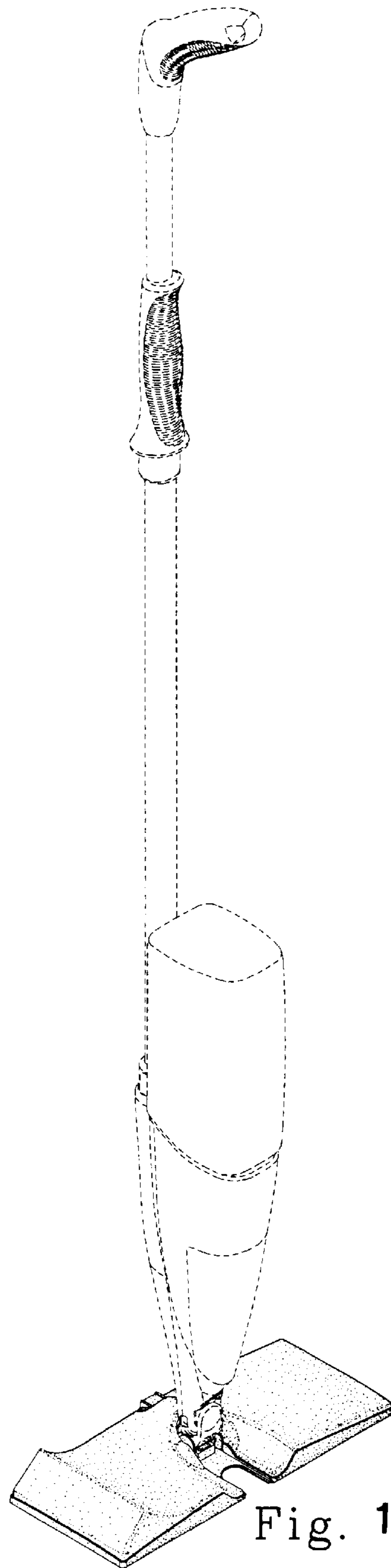


Fig. 1

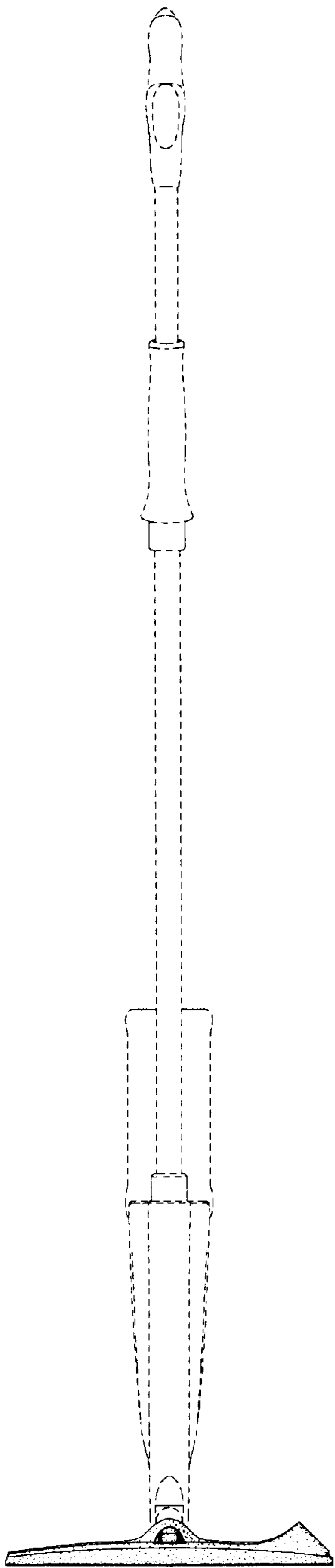


Fig. 2

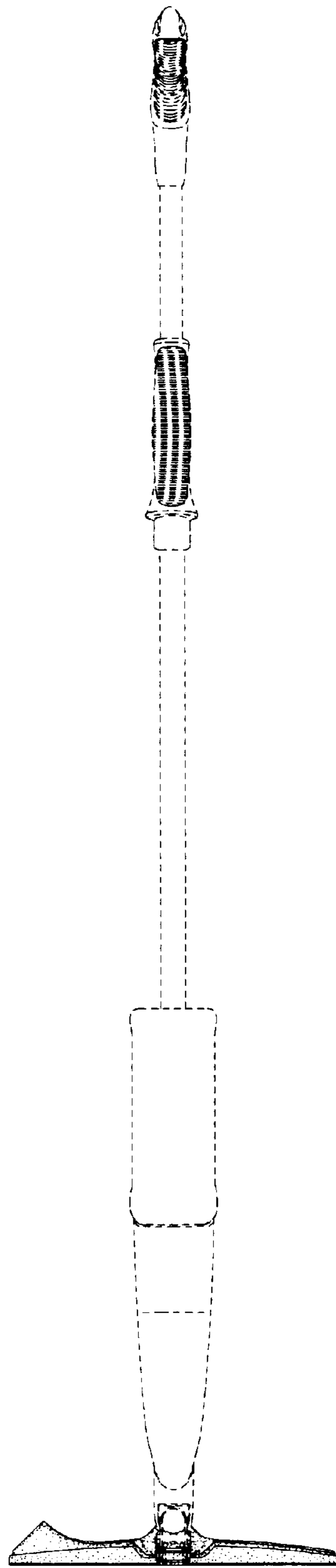


Fig. 3

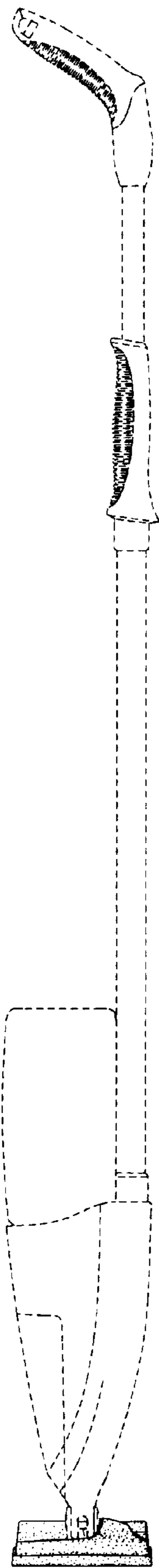


Fig. 4

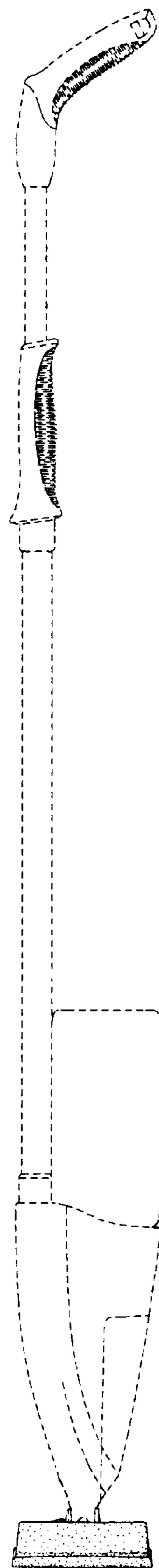


Fig. 5

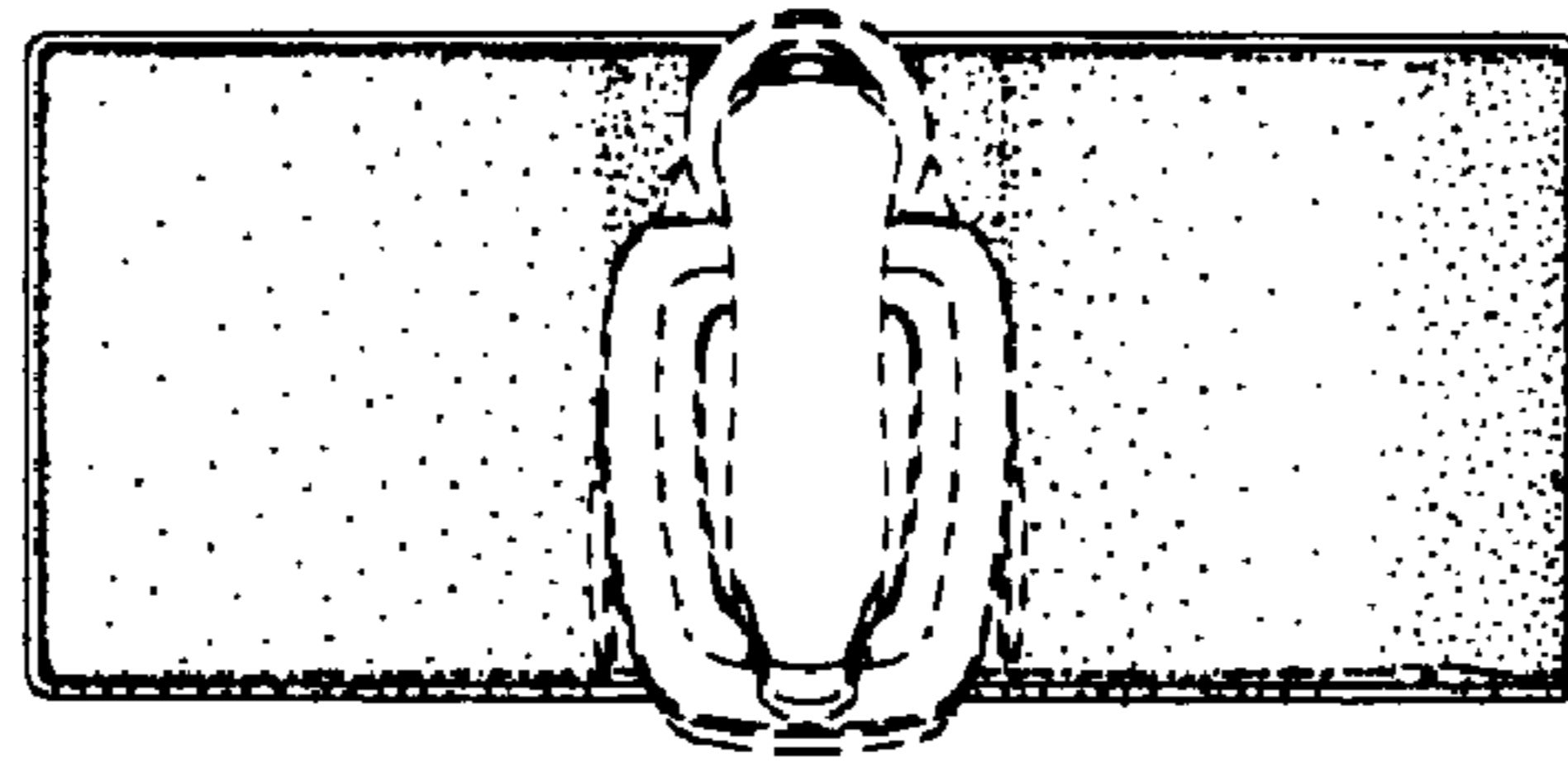


Fig. 6

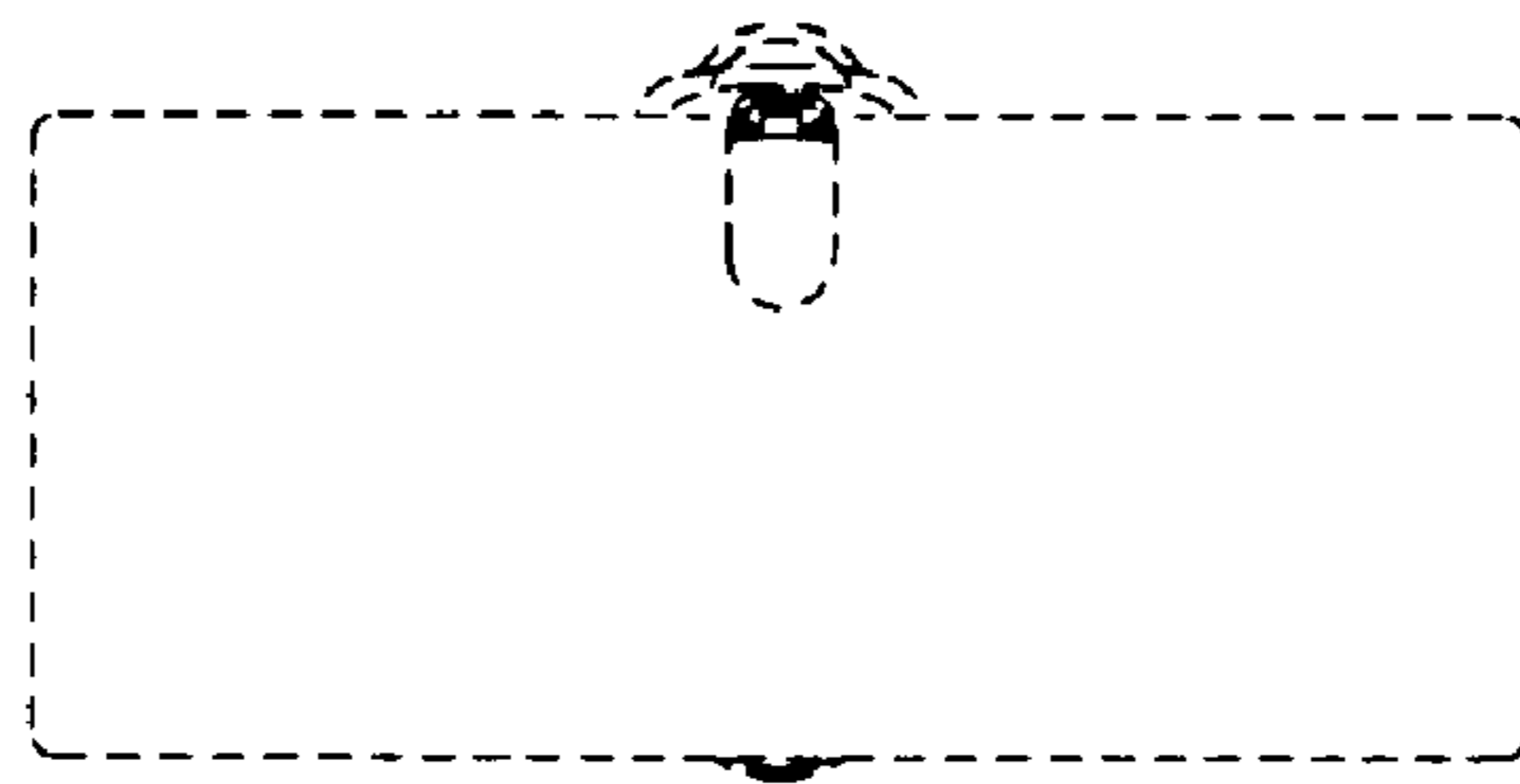


Fig. 7