



US00D518933S

(12) **United States Design Patent**
Courtney

(10) **Patent No.:** **US D518,933 S**

(45) **Date of Patent:** **** Apr. 11, 2006**

(54) **ATTACHMENT FOR A CLEANING APPLIANCE**

(75) **Inventor:** **Stephen Benjamin Courtney, Bath (GB)**

(73) **Assignee:** **Dyson Limited, Wiltshire (GB)**

(**) **Term:** **14 Years**

(21) **Appl. No.:** **29/212,848**

(22) **Filed:** **Sep. 9, 2004**

(30) **Foreign Application Priority Data**

Mar. 11, 2004 (GB) 3016553

(51) **LOC (8) Cl.** **15-05**

(52) **U.S. Cl.** **D32/32**

(58) **Field of Classification Search** D32/22,
D32/31-33; 15/320-322, 329, 350-351,
15/353, 362, 410, 412, 414, 415.1, 416-422.1,
15/246.2; 55/DIG. 3

See application file for complete search history.

(56) **References Cited**

U.S. PATENT DOCUMENTS

D290,419 S * 6/1987 Strohmeyer D32/32

5,564,161 A * 10/1996 Glatz 15/415.1
D427,737 S * 7/2000 Dyson et al. D32/32
D449,724 S * 10/2001 Nighy et al. D32/32
D460,231 S * 7/2002 Bagwell et al. D32/32

* cited by examiner

Primary Examiner—Ruth McInroy

(74) *Attorney, Agent, or Firm*—Morrison & Foerster LLP

(57) **CLAIM**

I claim the ornamental design for an attachment for a cleaning appliance, as shown and described.

DESCRIPTION

FIG. 1 is a top and side perspective view of an attachment for a cleaning appliance showing my new design;

FIG. 2 is a top plan view thereof;

FIG. 3 is a bottom plan view thereof;

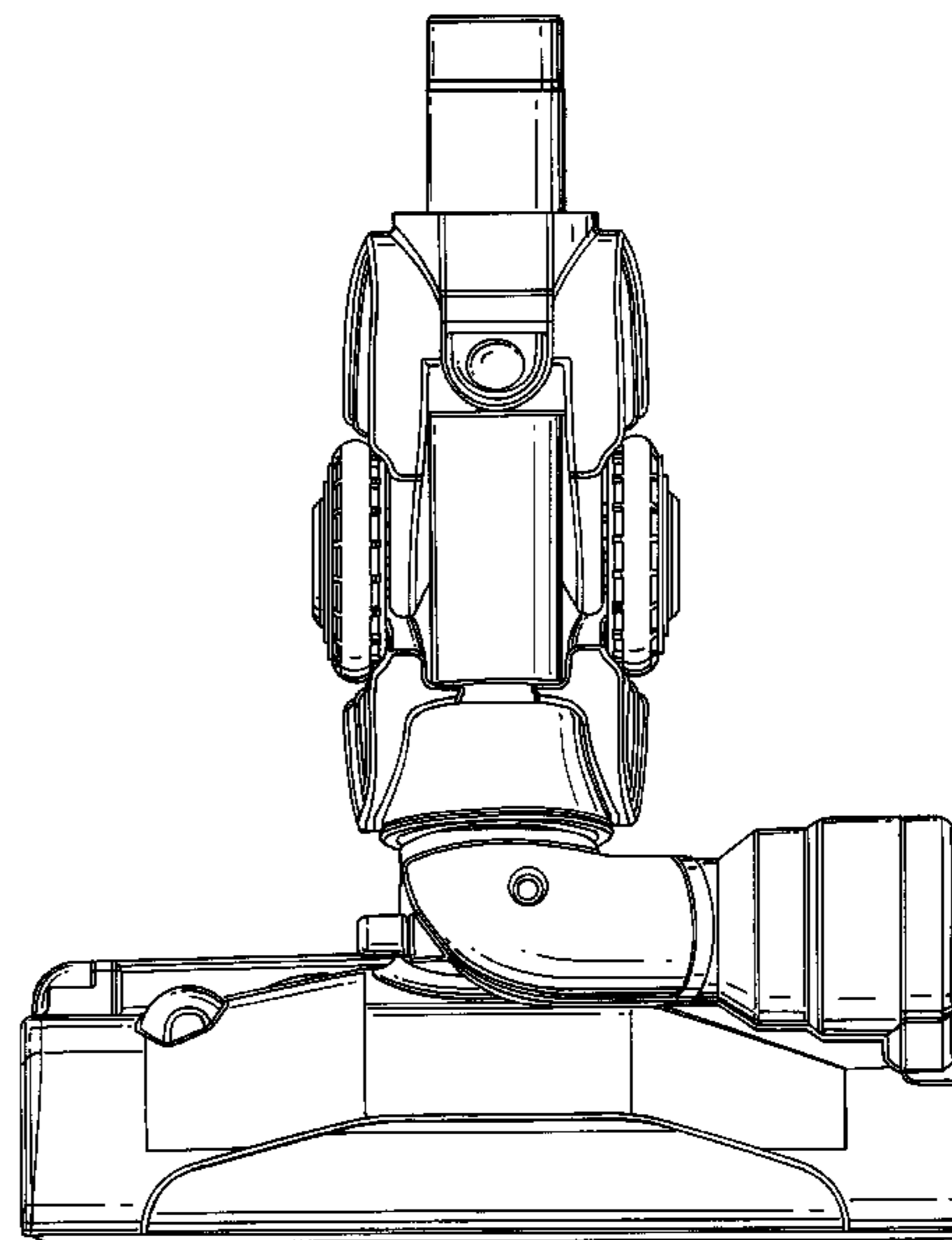
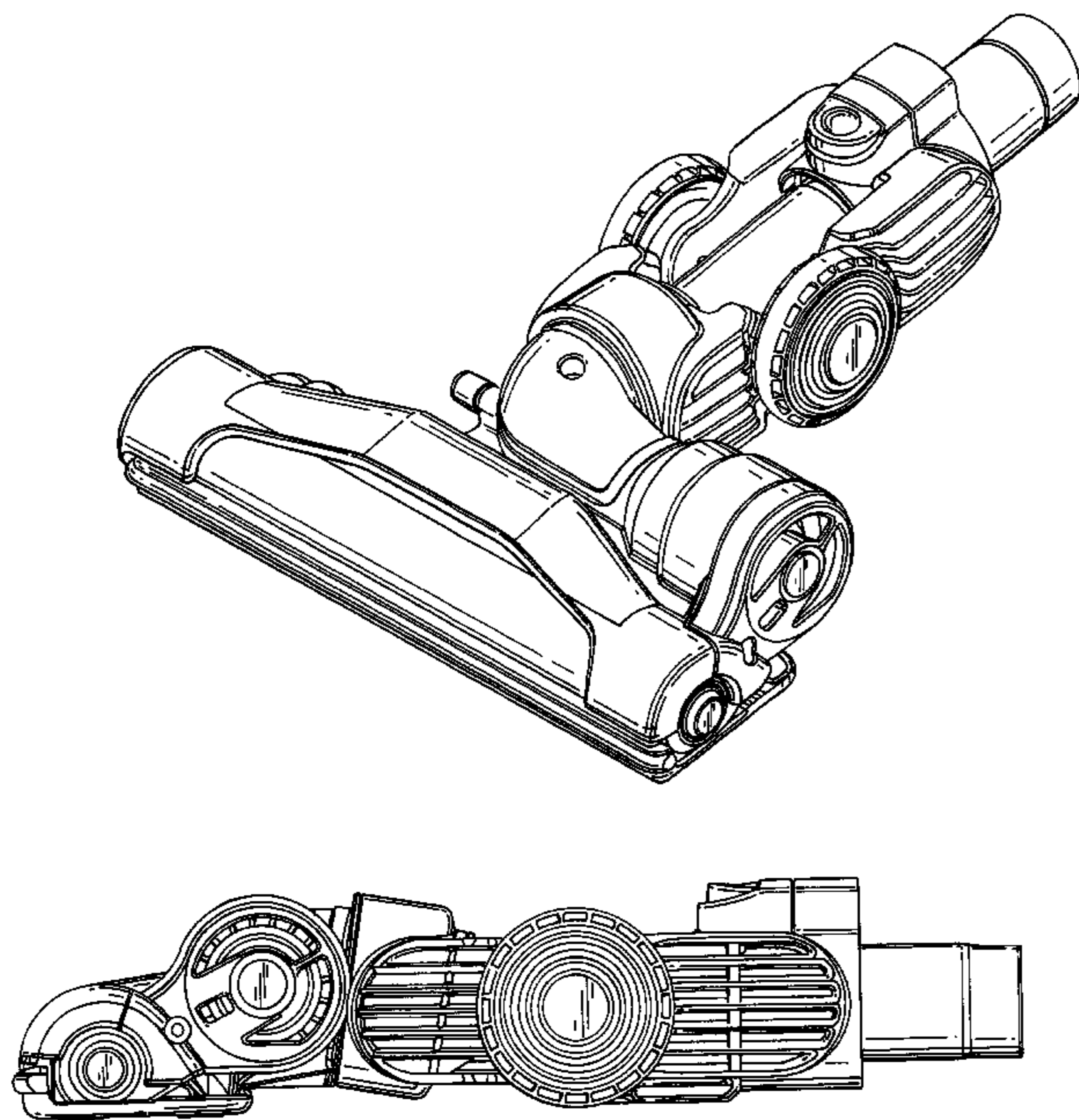
FIG. 4 is a front view thereof;

FIG. 5 is a rear view thereof;

FIG. 6 is a side view thereof; and,

FIG. 7 is a side view of the opposite side of FIG. 6.

1 Claim, 6 Drawing Sheets



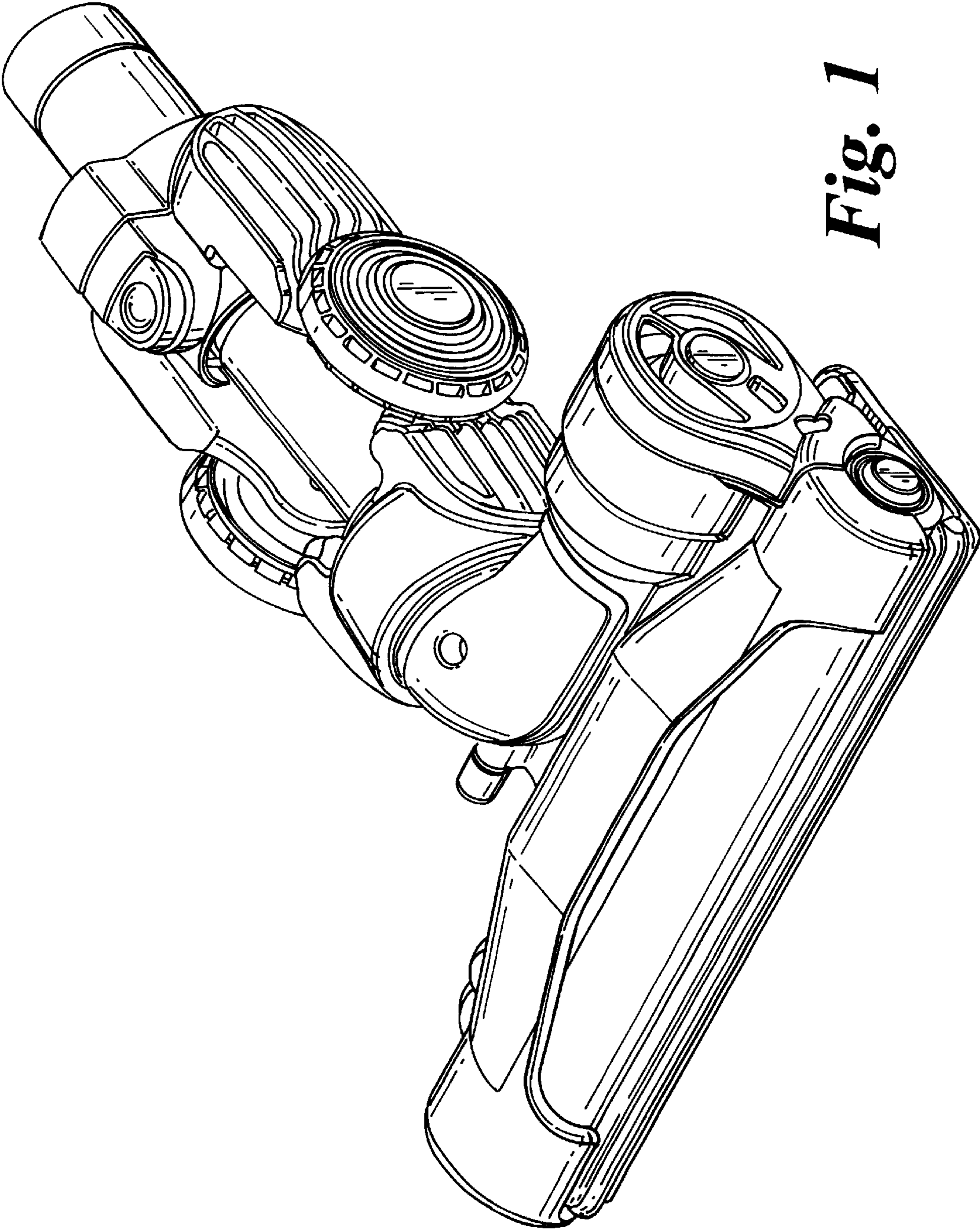


Fig. 1

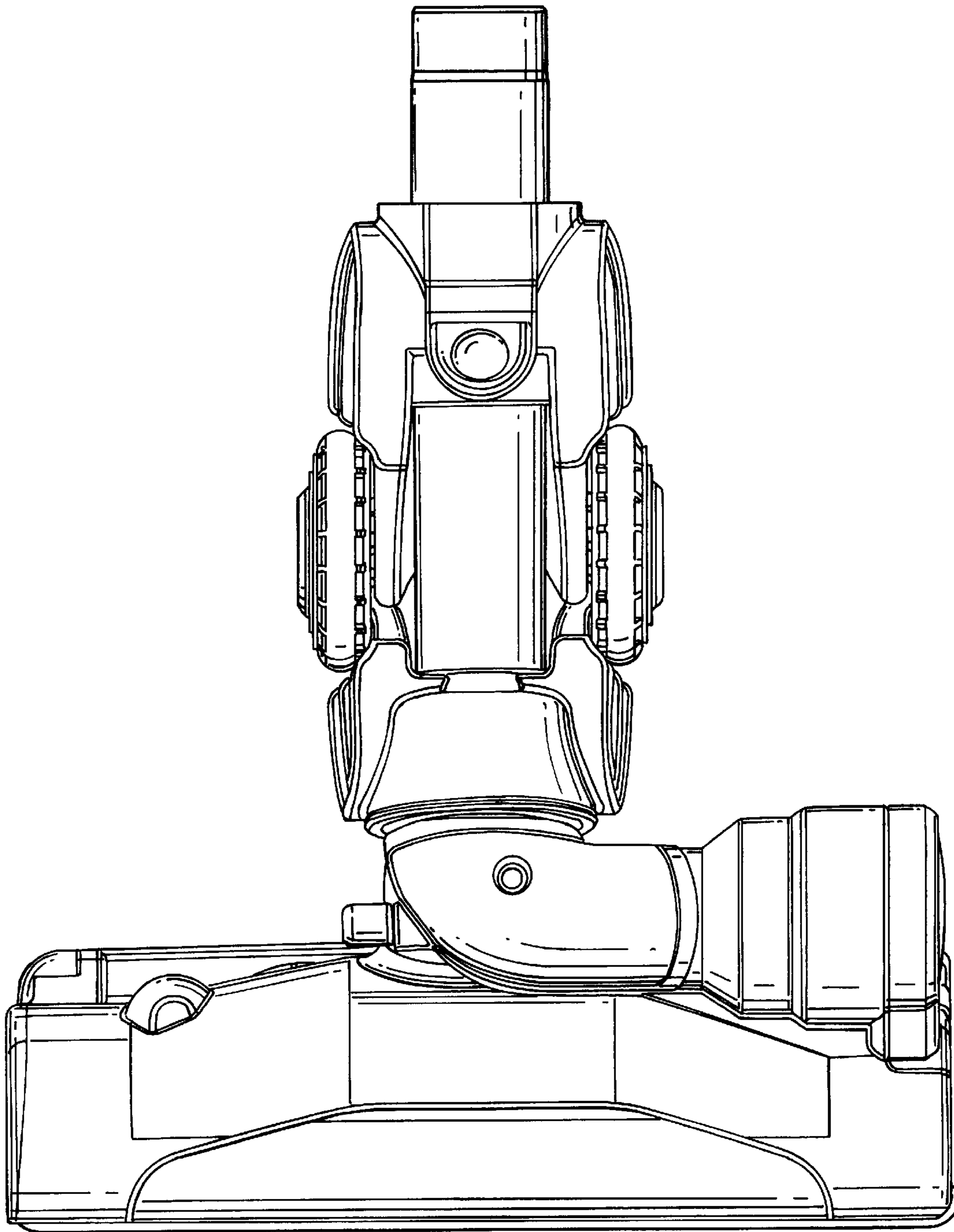


Fig. 2

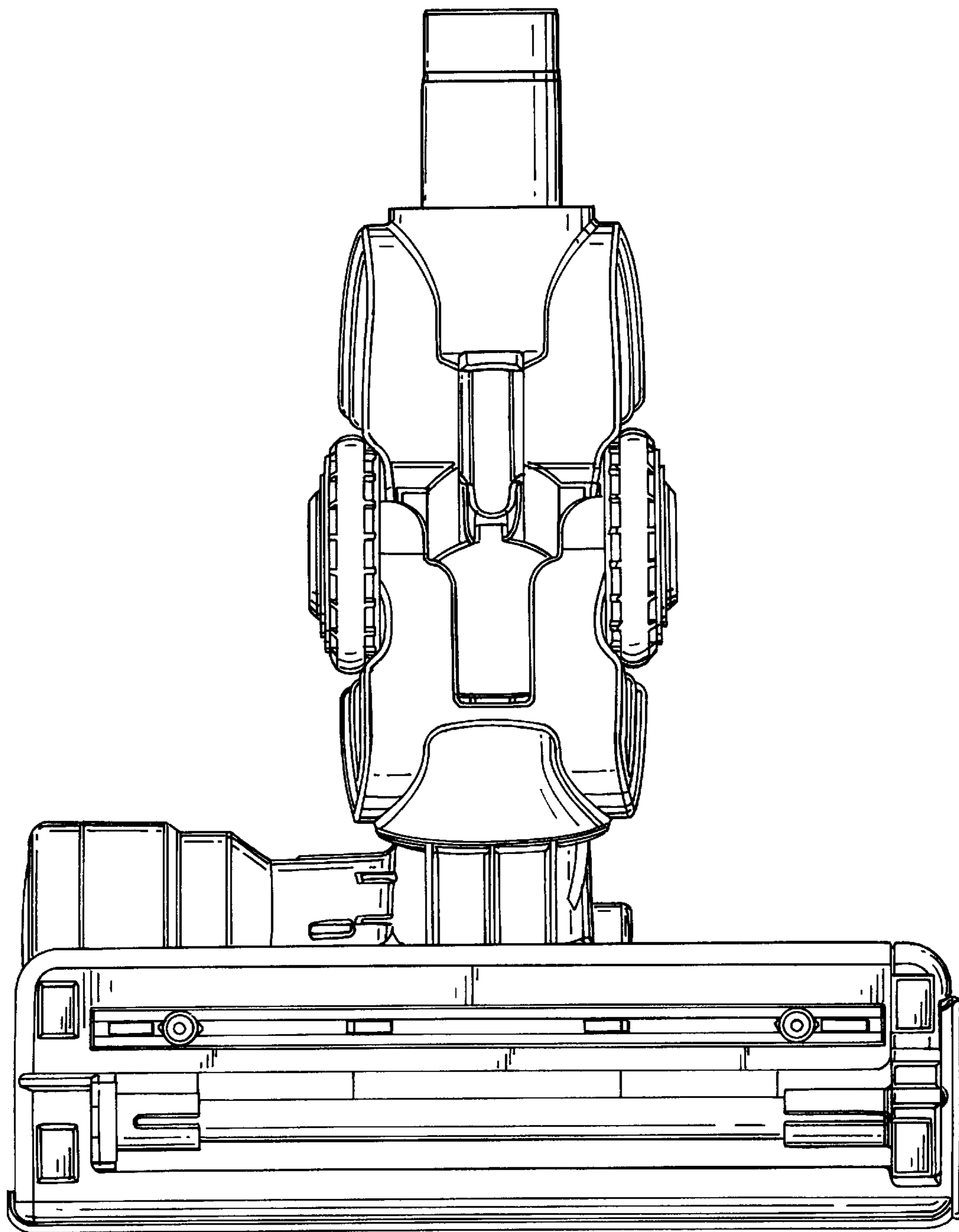


Fig. 3

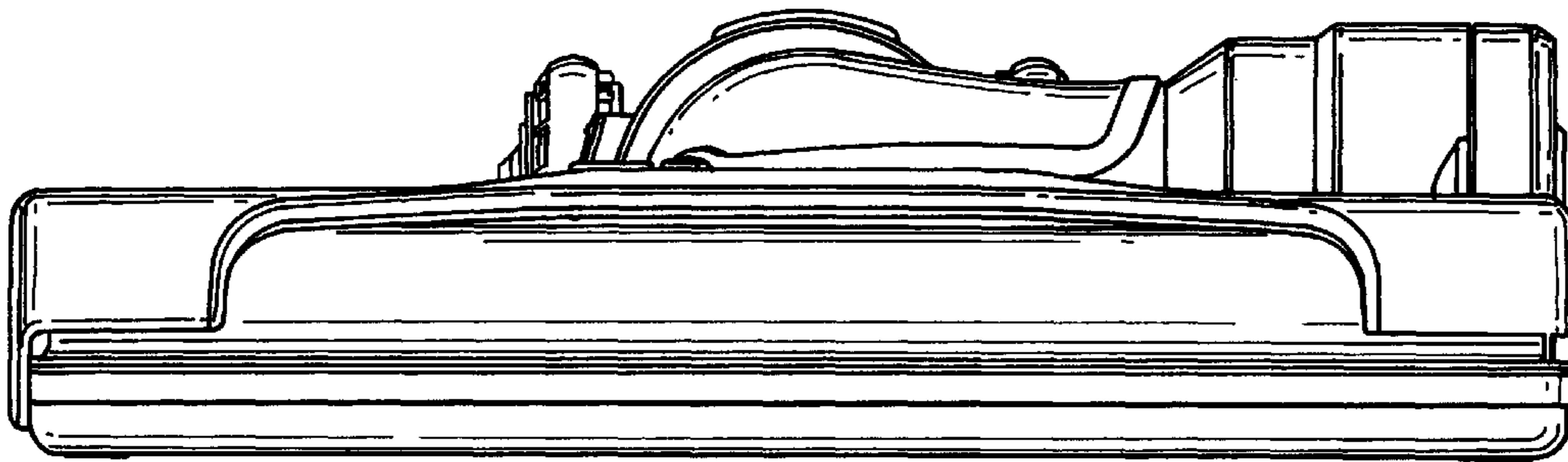


Fig. 4

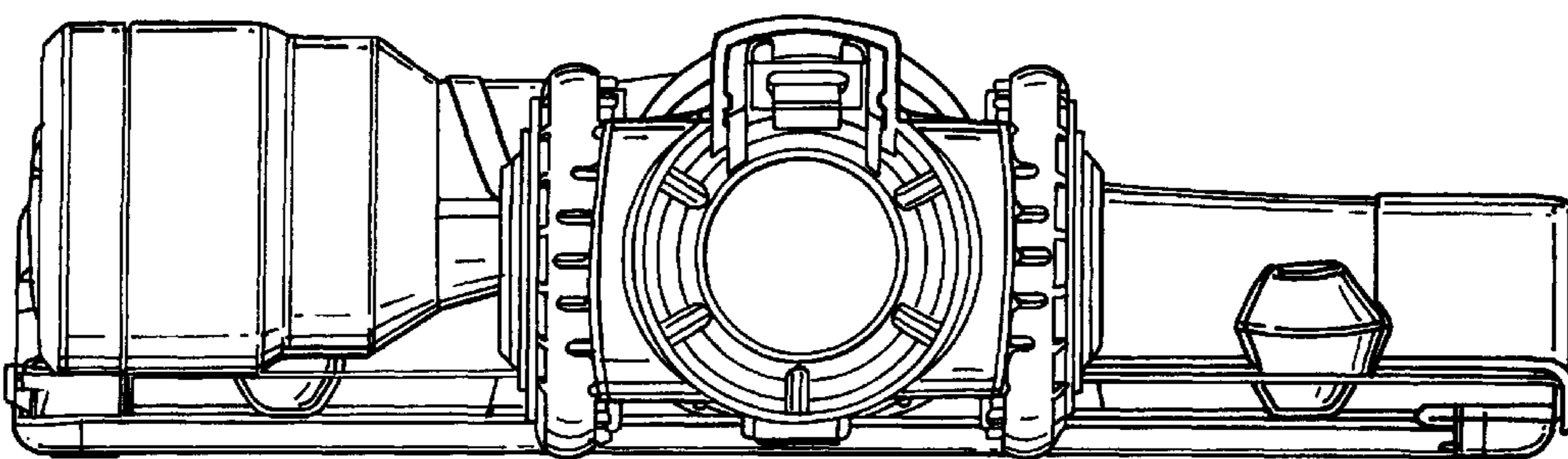


Fig. 5

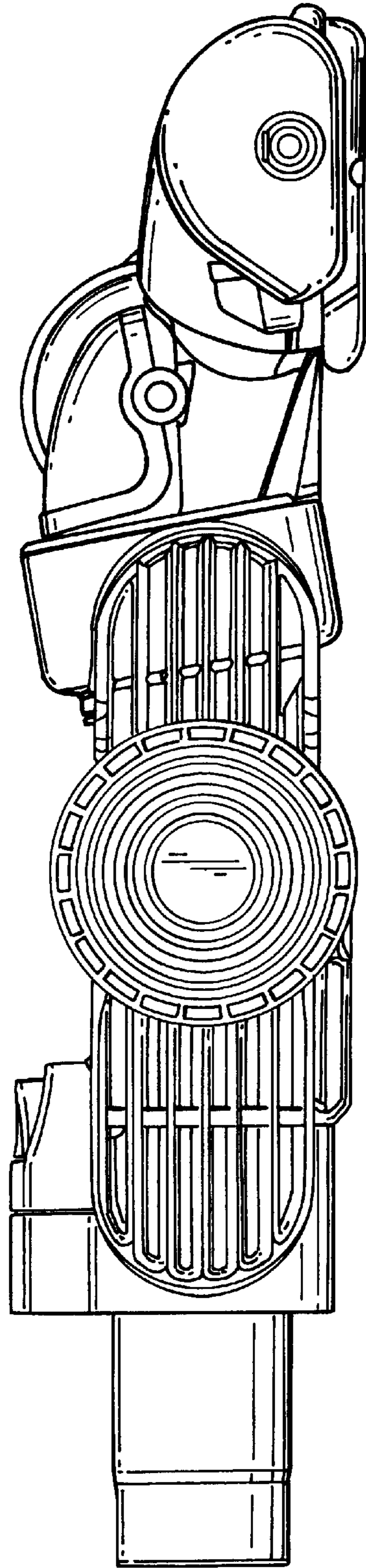


Fig. 6

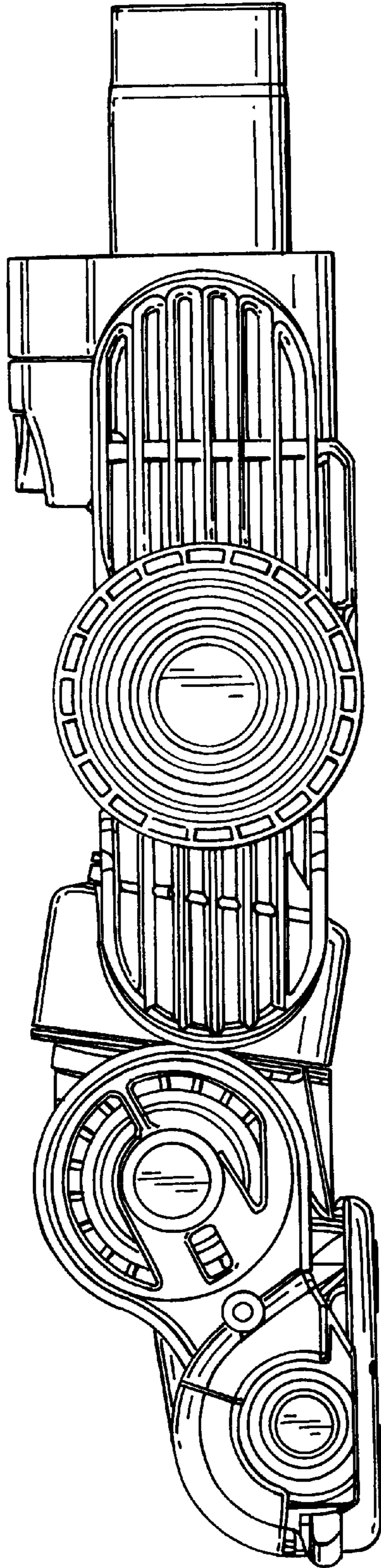


Fig. 7