



US00D518932S

(12) **United States Design Patent**
Maruyama et al.

(10) **Patent No.:** **US D518,932 S**

(45) **Date of Patent:** **** Apr. 11, 2006**

(54) **NOZZLE FOR ELECTRIC VACUUM
CLEANER**

D457,696 S * 5/2002 Worwag D32/32
D507,854 S * 7/2005 Kim D32/32

(75) Inventors: **Kaname Maruyama**, Niigata-ken (JP);
Kazuya Kondo, Niigata-ken (JP)

* cited by examiner

Primary Examiner—Ruth McInroy

(73) Assignee: **Twinbird Corporation**, Niigata-ken
(JP)

(74) *Attorney, Agent, or Firm*—Sacco & Associates, PA

(**) **Term:** **14 Years**

(57) **CLAIM**

The ornamental design for a nozzle for electric vacuum cleaner, as shown and described.

(21) **Appl. No.:** **29/206,981**

DESCRIPTION

(22) **Filed:** **Jun. 7, 2004**

(30) **Foreign Application Priority Data**

Dec. 22, 2003 (JP) 2003-037764

FIG. 1 is a front perspective view of a nozzle for electric vacuum cleaner, showing our new design:

FIG. 2 is a front view thereof;

FIG. 3 is a rear view thereof;

FIG. 4 is a top plan view thereof;

FIG. 5 is a bottom plan view thereof;

FIG. 6 is a left side view thereof;

FIG. 7 is a right side view thereof;

FIG. 8 is a top plan view of the main body (lower portion in FIG. 10), which is rotated to allow the cleaning sheet to face the floor;

FIG. 9 is a view of FIG. 8, with a cleaning sheet attached;

FIG. 10 is a front perspective view thereof, with the cover in an opened position; and,

FIG. 11 is a front perspective view thereof, with the cover in an opened position and the main body rotated 90 degrees.

(51) **LOC (8) Cl.** **15-05**

(52) **U.S. Cl.** **D32/32**

(58) **Field of Classification Search** D32/22,
D32/31-33; 15/320-322, 329, 350-351,
15/353, 362, 410, 412, 414, 415.1, 416-422.1,
15/246.2; 55/DIG. 3

See application file for complete search history.

(56) **References Cited**

U.S. PATENT DOCUMENTS

D333,539 S * 2/1993 Kramer et al. D32/32

D443,120 S * 5/2001 Choi D32/32

D456,967 S * 5/2002 Santiago D32/32

1 Claim, 6 Drawing Sheets

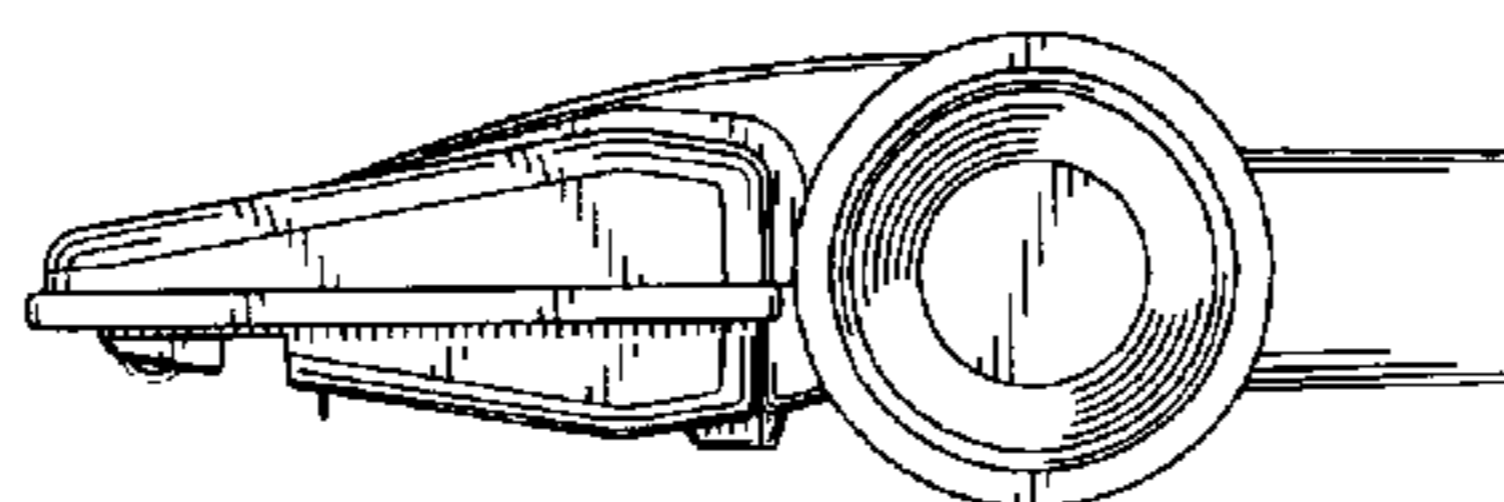
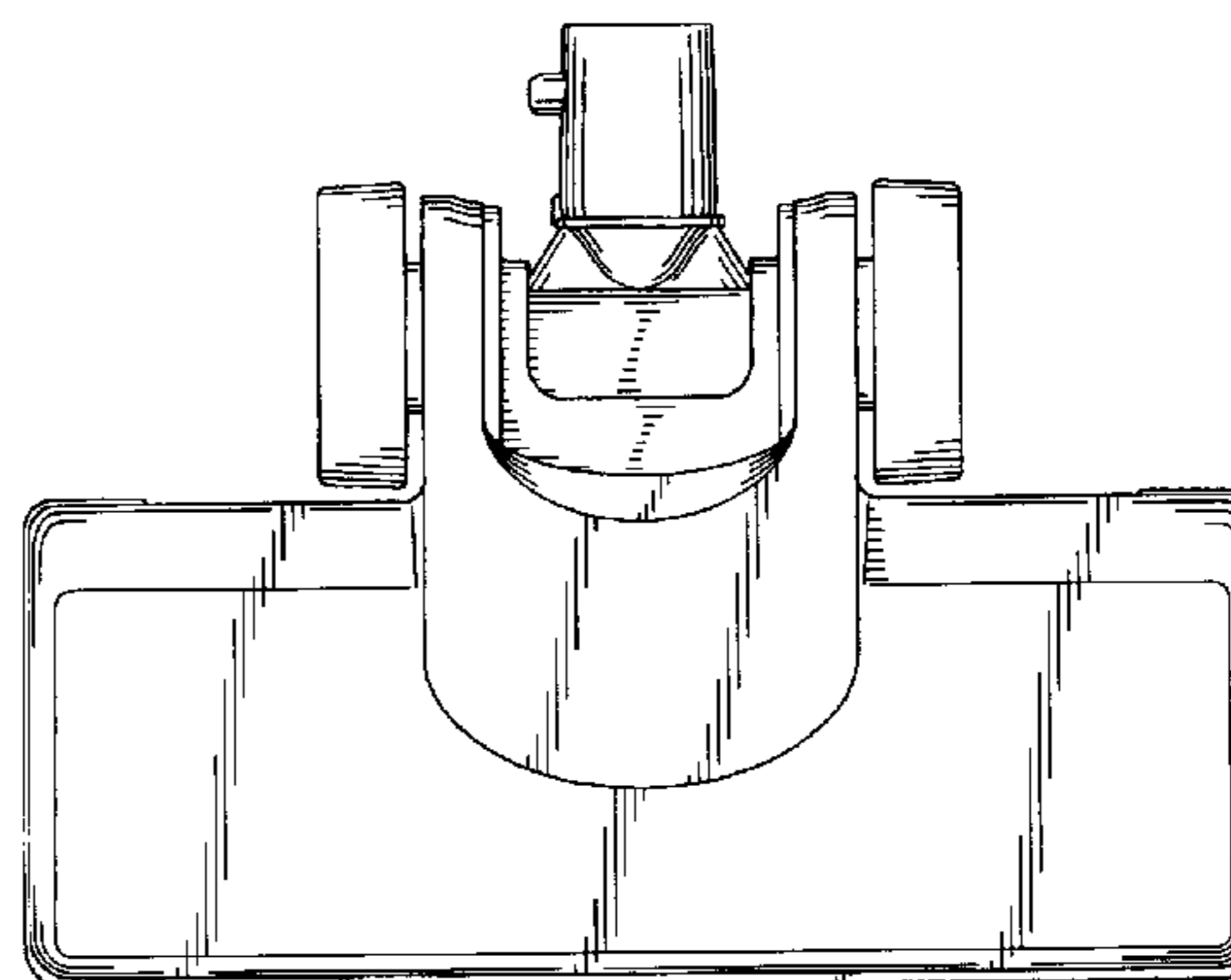
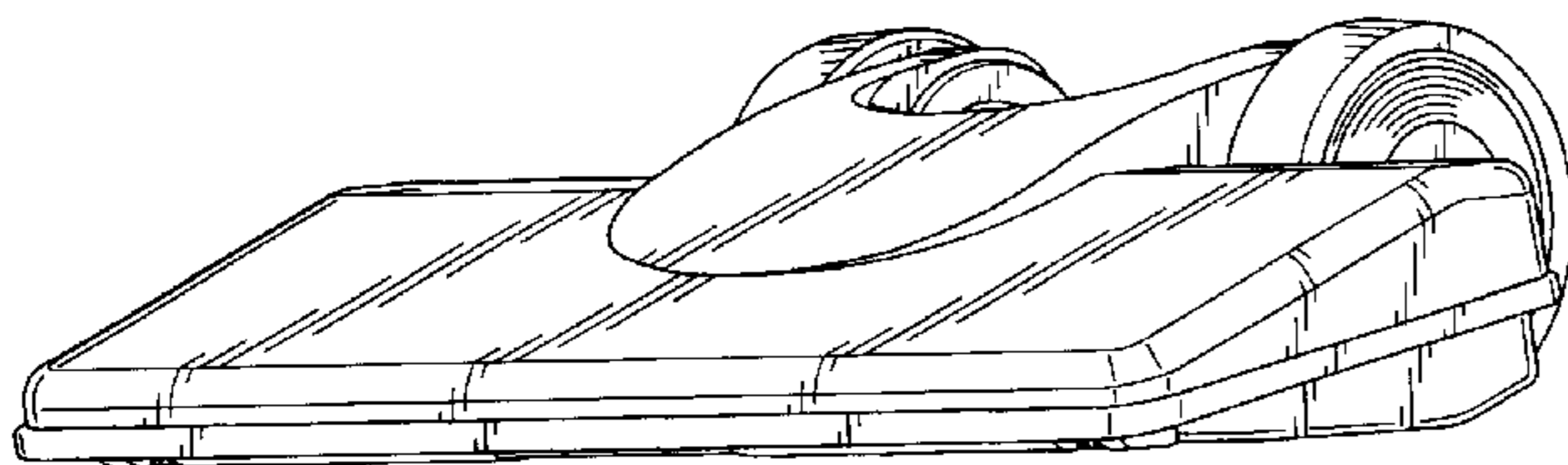


FIG. 1

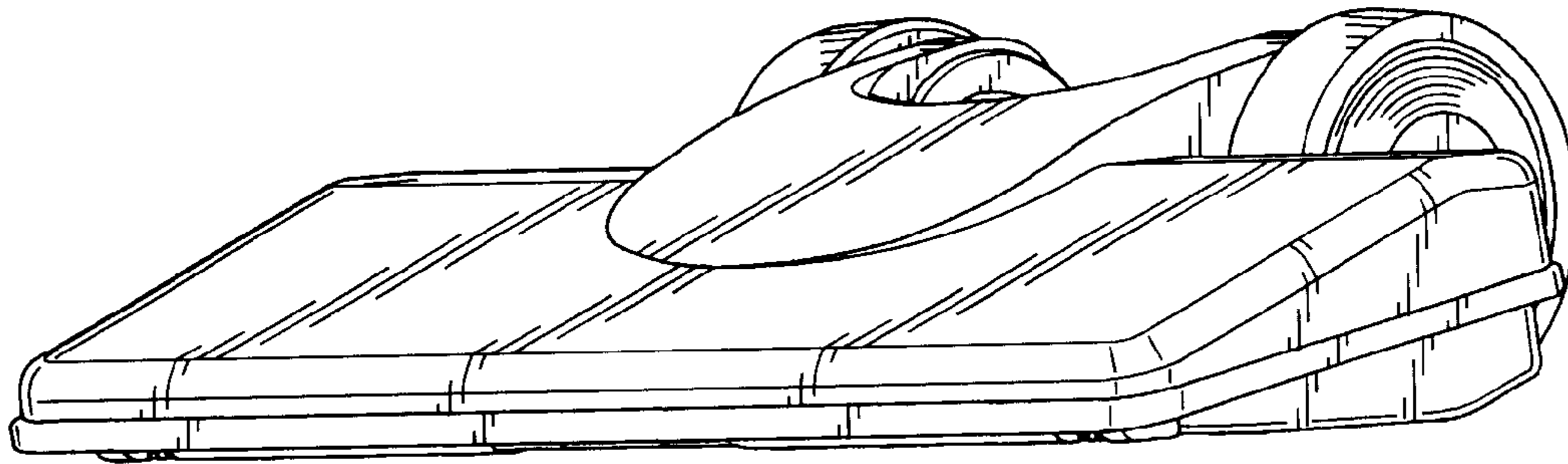


FIG. 2

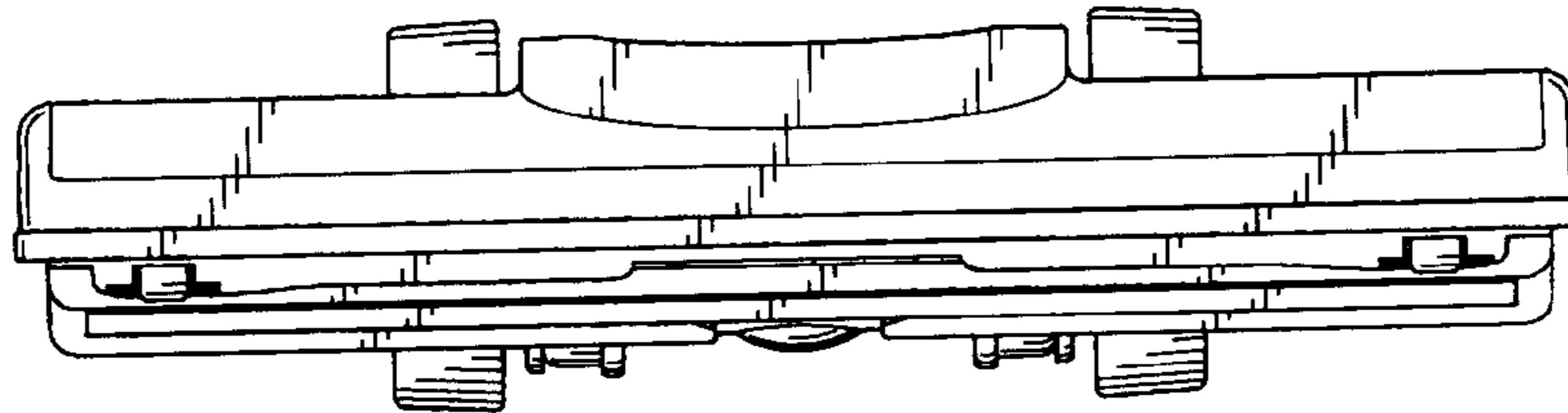


FIG. 3

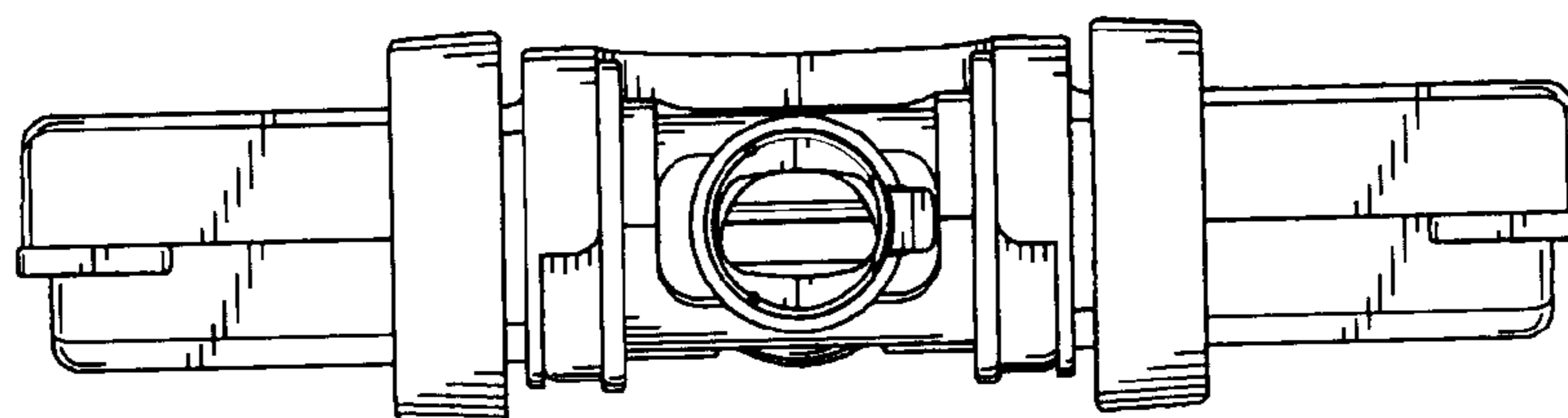


FIG. 4

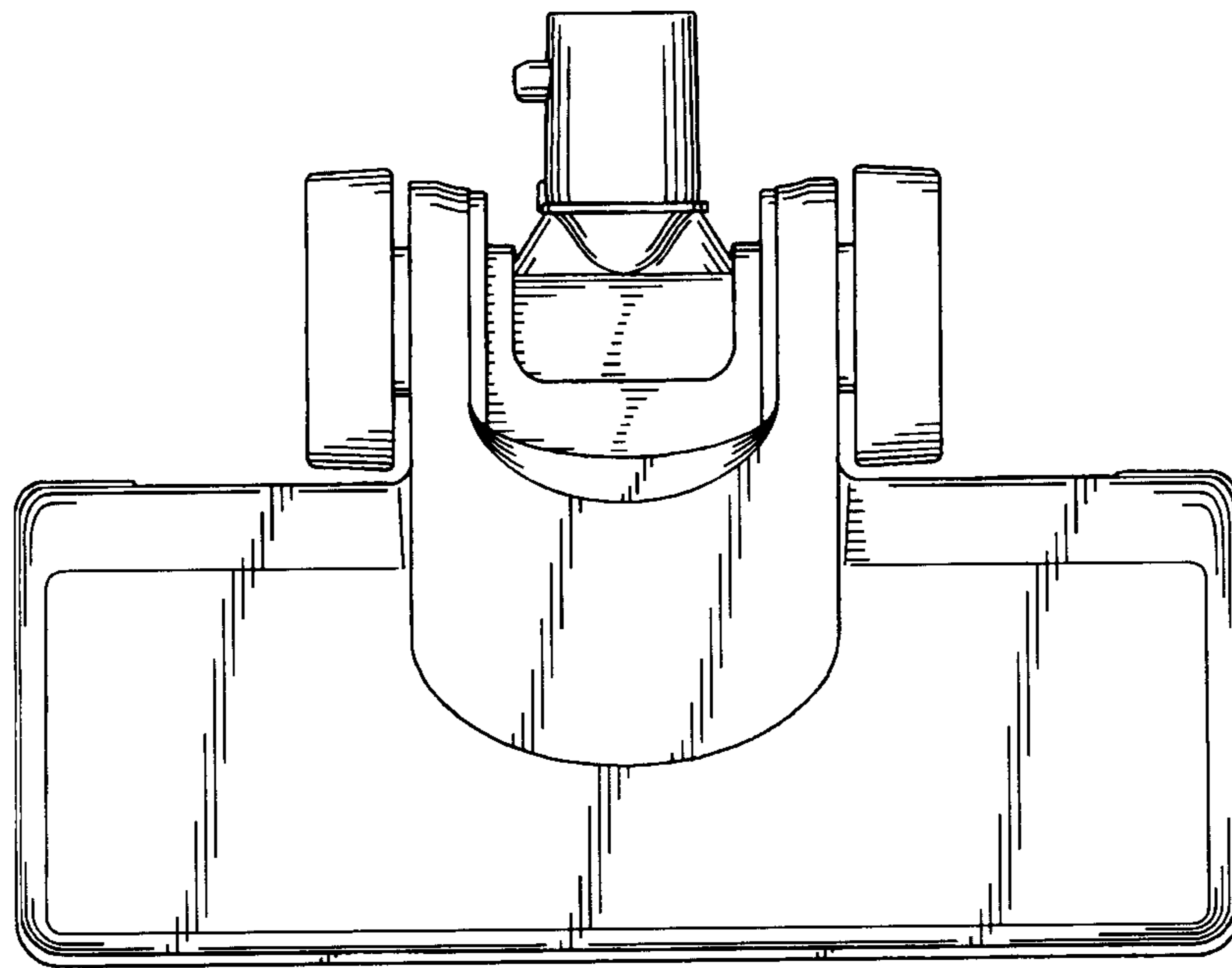


FIG. 5

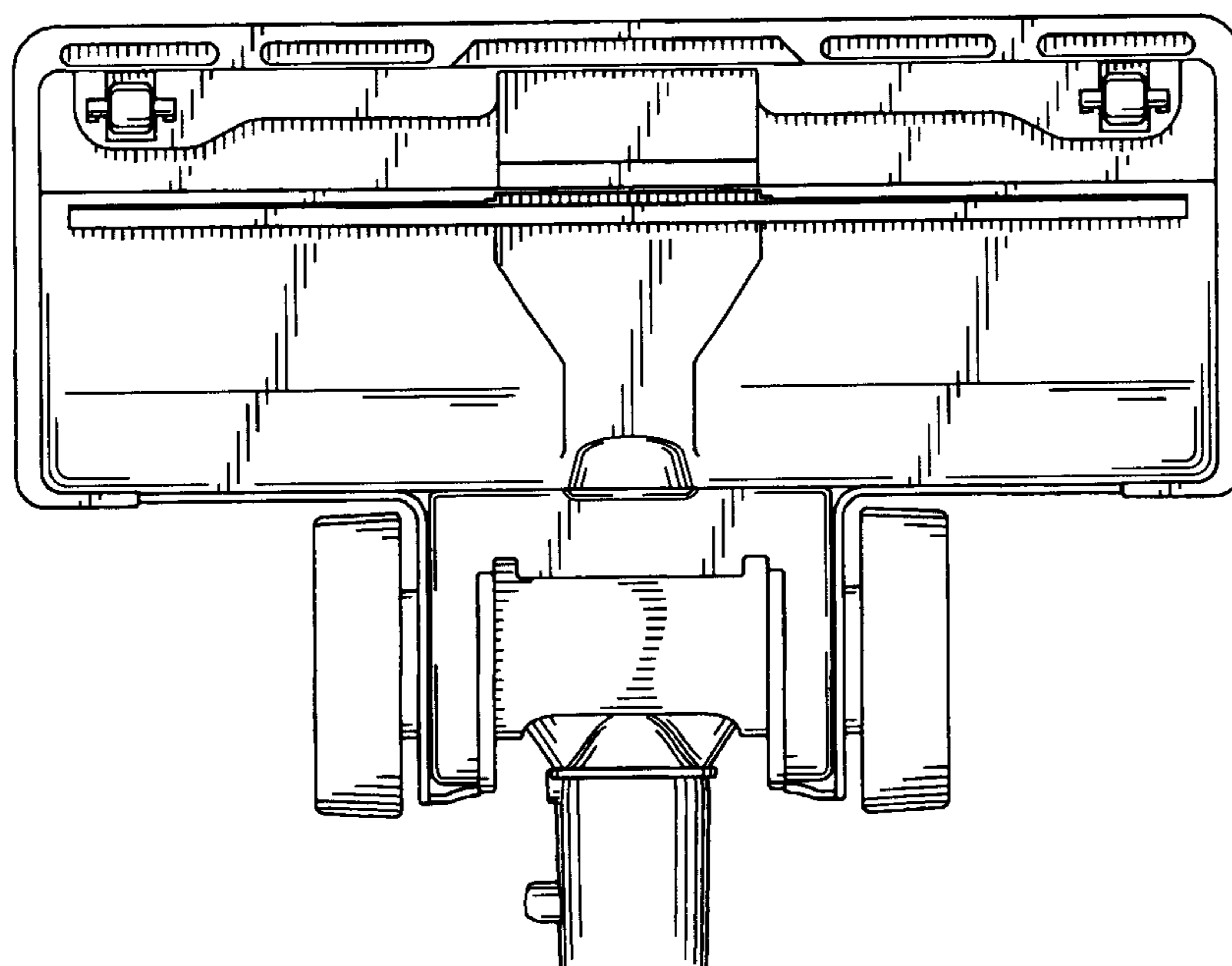


FIG. 6

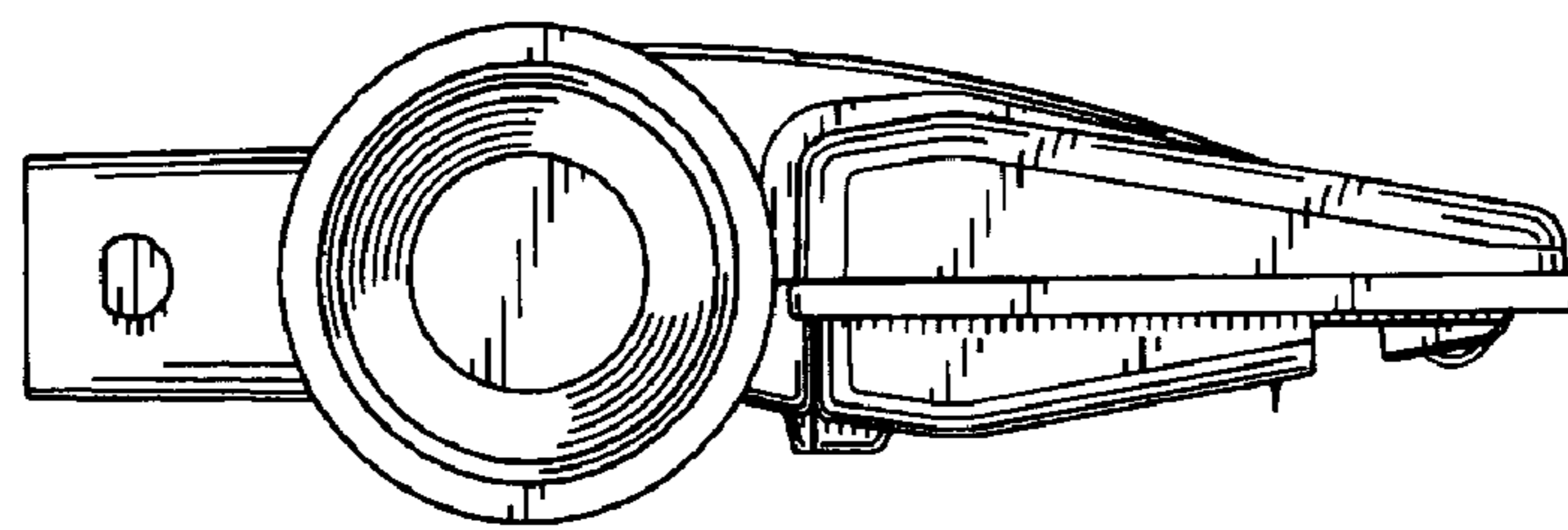


FIG. 7

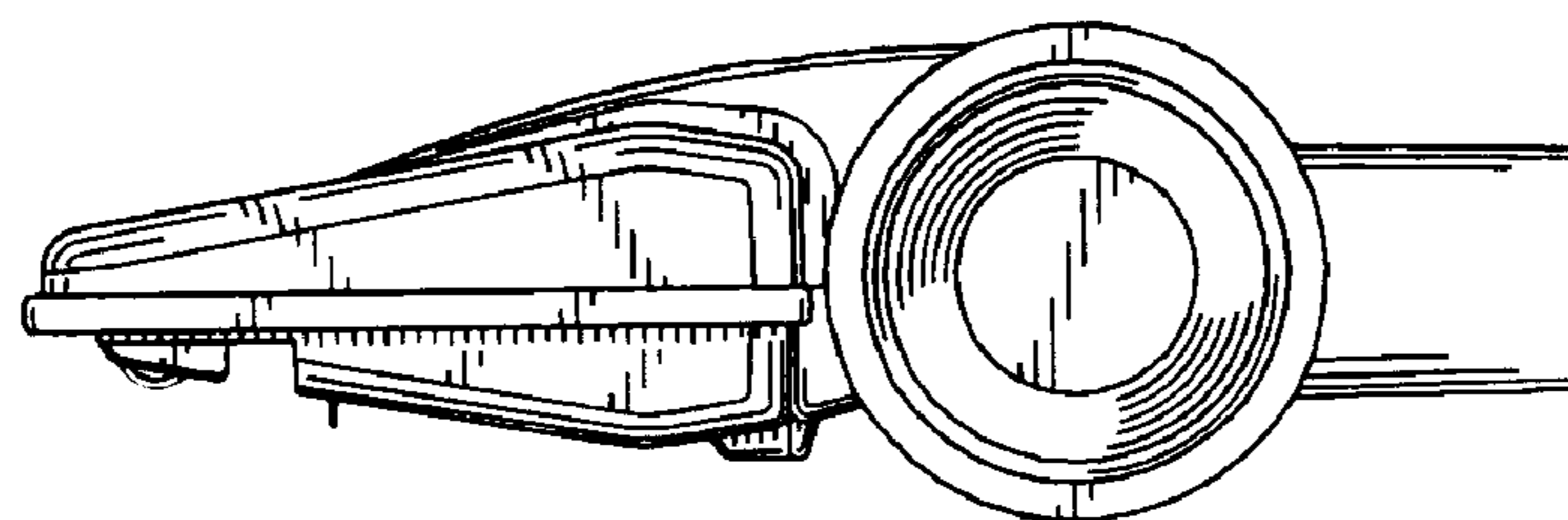


FIG. 8

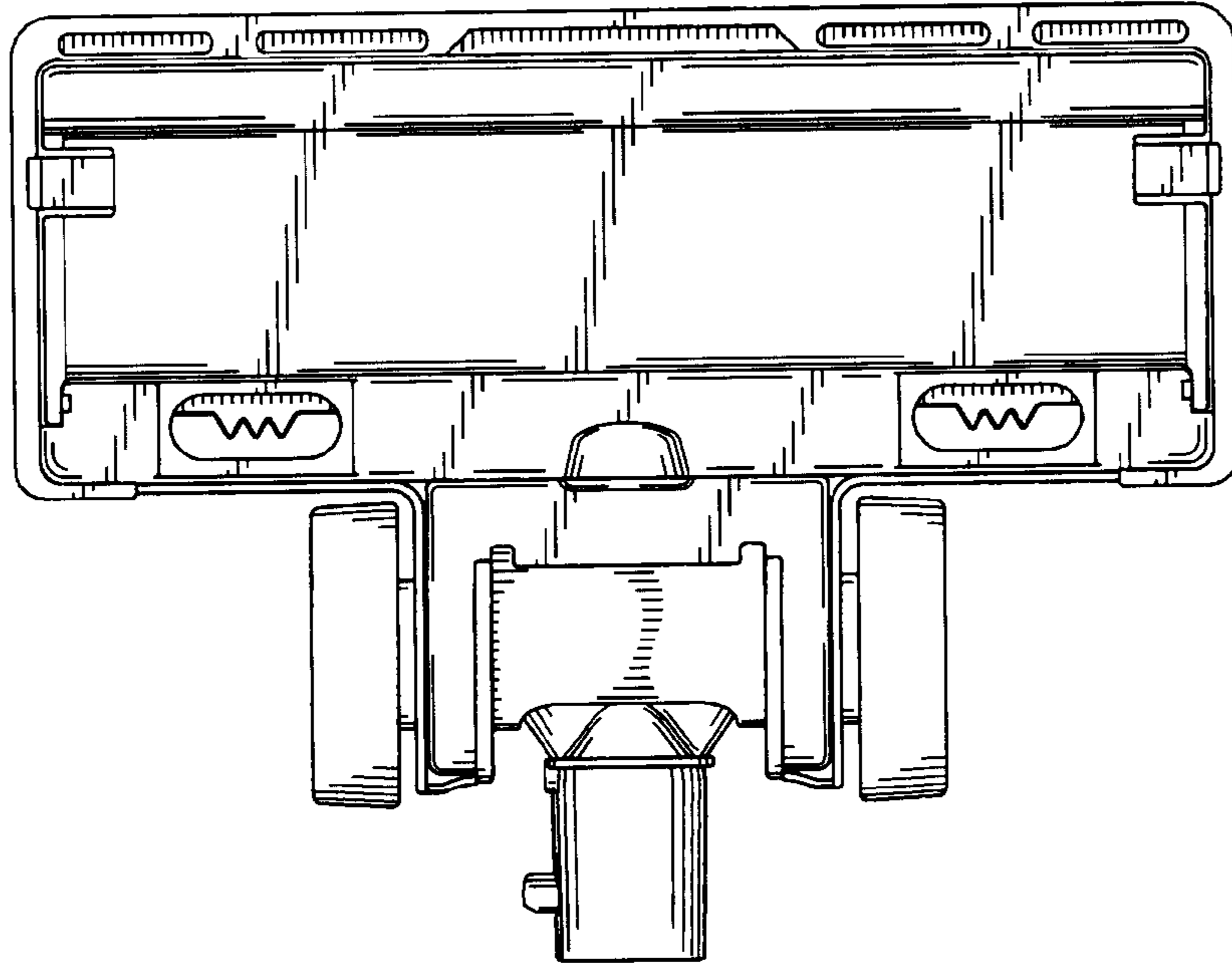


FIG. 9

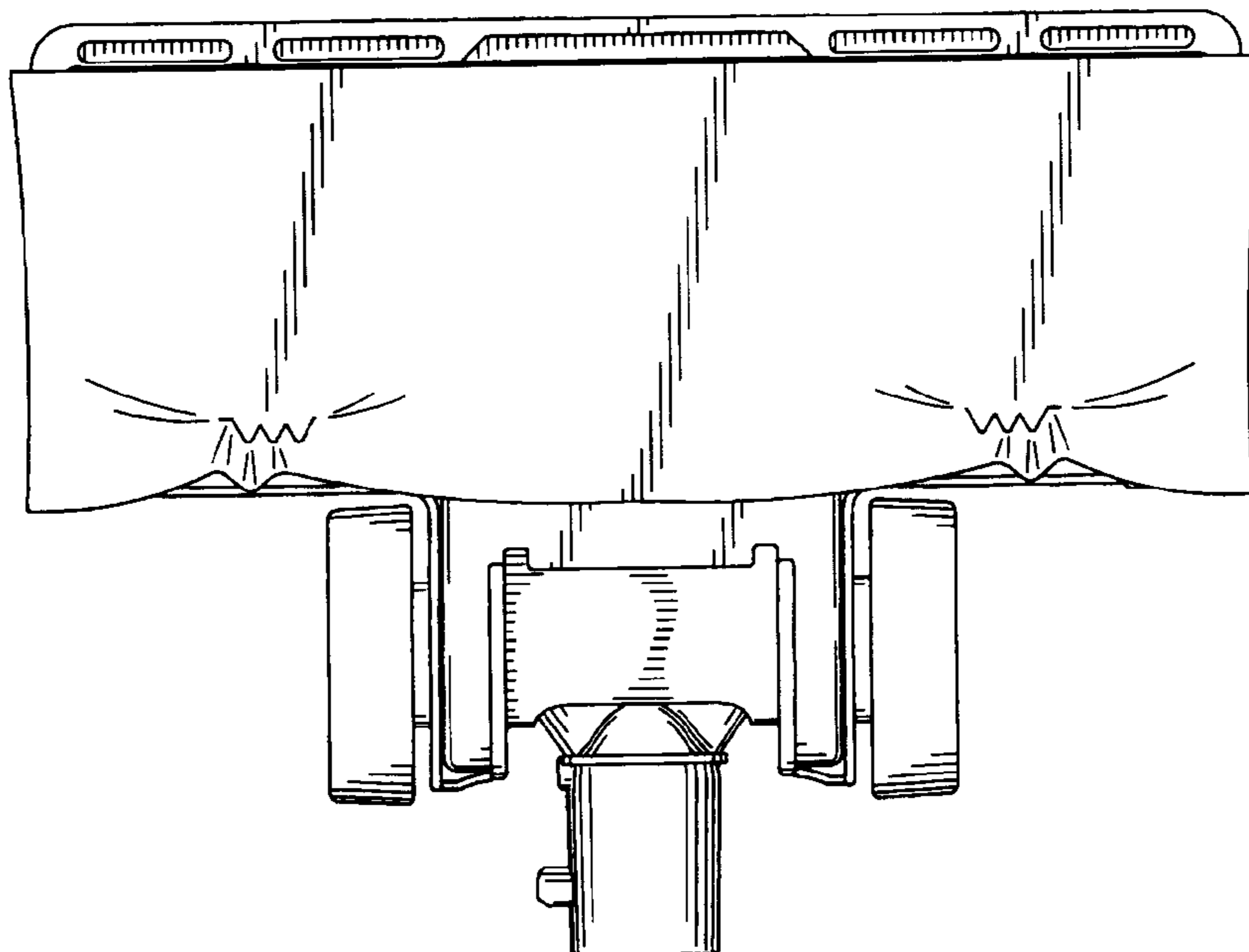


FIG. 10

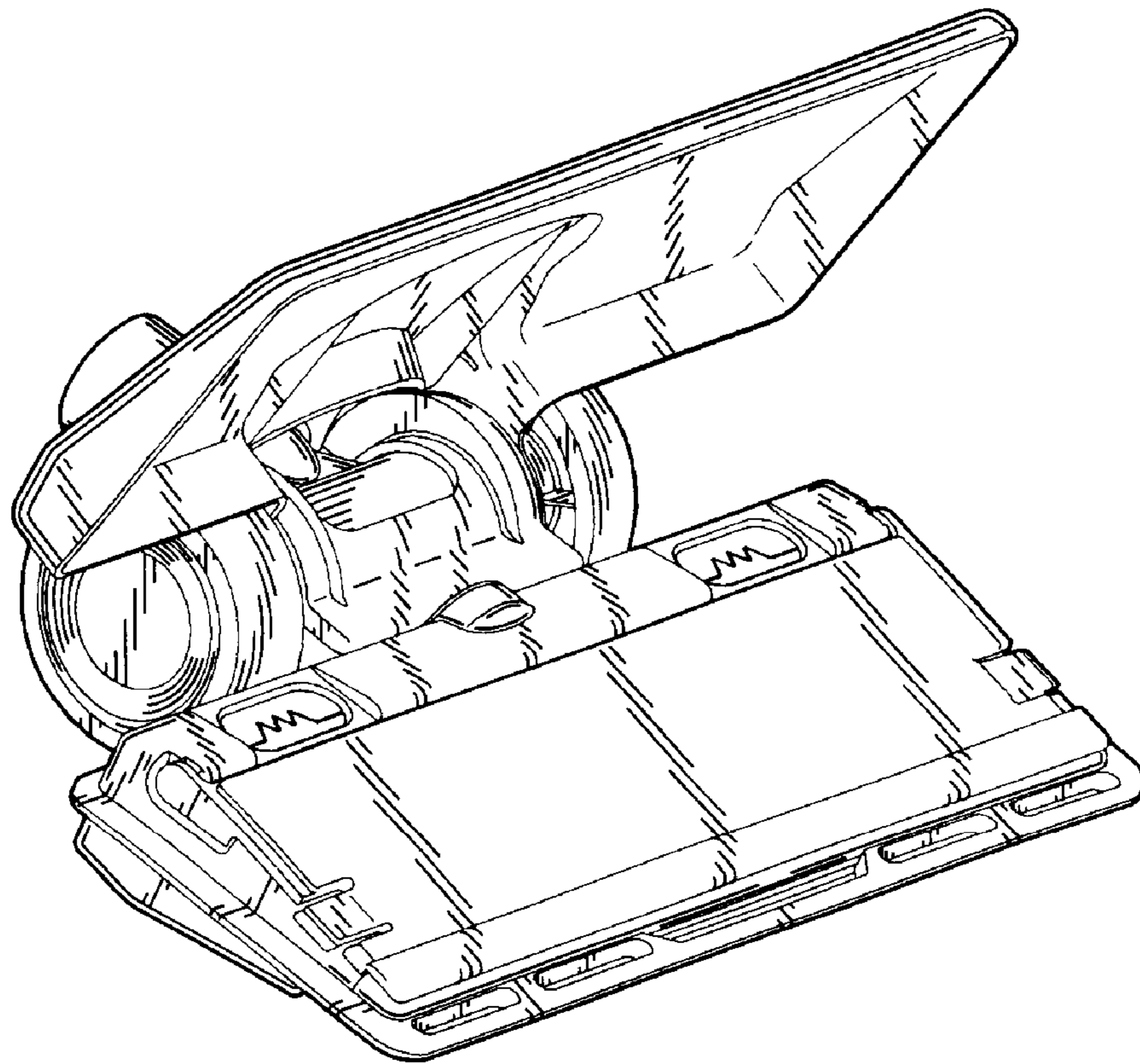


FIG. 11

