



US00D518928S

(12) **United States Design Patent**  
**Chiba**

(10) **Patent No.:** **US D518,928 S**

(45) **Date of Patent:** **\*\* Apr. 11, 2006**

(54) **VACUUM CLEANER**

(75) Inventor: **Yukie Chiba**, Yokohama (JP)

(73) Assignee: **Kabushiki Kaisha Toshiba** (JP)

(\*\*) Term: **14 Years**

(21) Appl. No.: **29/201,495**

(22) Filed: **Mar. 17, 2004**

(30) **Foreign Application Priority Data**

Nov. 14, 2003 (JP) ..... 2003-033998

(51) **LOC (8) Cl.** ..... **15-05**

(52) **U.S. Cl.** ..... **D32/22**

(58) **Field of Classification Search** ..... D32/22,  
D32/30-34; 15/320-321, 347, 350-351,  
15/353, 361, 410, 412, 414, 246.2, DIG. 8;  
55/318, 337, 400, DIG. 3, 429, 459.1, 345.447;  
95/271, 268; 210/512.1, 512.2

See application file for complete search history.

(56) **References Cited**

**U.S. PATENT DOCUMENTS**

|            |   |         |                 |       |        |
|------------|---|---------|-----------------|-------|--------|
| D381,479 S | * | 7/1997  | Worwag          | ..... | D32/22 |
| D399,619 S | * | 10/1998 | Nakano et al.   | ..... | D32/22 |
| D430,961 S | * | 9/2000  | Bobrosky et al. | ..... | D32/22 |
| D455,530 S | * | 4/2002  | Fujii           | ..... | D32/22 |
| D459,561 S | * | 6/2002  | Leyden          | ..... | D32/22 |
| D462,813 S | * | 9/2002  | Nakano et al.   | ..... | D32/22 |
| D485,026 S | * | 1/2004  | Brown           | ..... | D32/22 |
| D485,027 S | * | 1/2004  | Brown           | ..... | D32/22 |
| D488,598 S |   | 4/2004  | Wakasa          |       |        |
| D488,894 S | * | 4/2004  | Leyden          | ..... | D32/22 |

**FOREIGN PATENT DOCUMENTS**

CN 3283548D 3/2003

|    |          |        |
|----|----------|--------|
| CN | 3284737D | 3/2003 |
| JP | 831956   | 3/1992 |
| JP | 1172104  | 4/2003 |
| JP | 1140966  | 5/2003 |
| JP | 1181596  | 8/2003 |

\* cited by examiner

*Primary Examiner*—Ruth McInroy

(74) *Attorney, Agent, or Firm*—Banner & Witcoff, Ltd.

(57) **CLAIM**

The ornamental design for a vacuum cleaner, as shown and described.

**DESCRIPTION**

FIG. 1 is a top, front and left side perspective view of a vacuum cleaner showing my new design, FIG. 2 is a front elevational view thereof, FIG. 3 is a rear elevational view thereof, FIG. 4 is a left side elevational view thereof, FIG. 5 is a right side elevational view thereof, FIG. 6 is a top plan view thereof, FIG. 7 is a bottom plan view thereof, FIG. 8 is a front elevational view showing the article with an extension tube being telescoped thereof, FIG. 9 is a left side elevational view showing the article with the extension tube being telescoped thereof, FIG. 10 is a right side elevational view showing the article with the extension tube being telescoped thereof, FIG. 11 is a front elevational view showing the article with the extension tube detached from the body and a brush being attached onto the tip end of the extension tube thereof; and, FIG. 12 is a top plan view showing the article with the extension tube detached from the body and the brush being attached onto the tip end of the extension tube thereof.

**1 Claim, 6 Drawing Sheets**

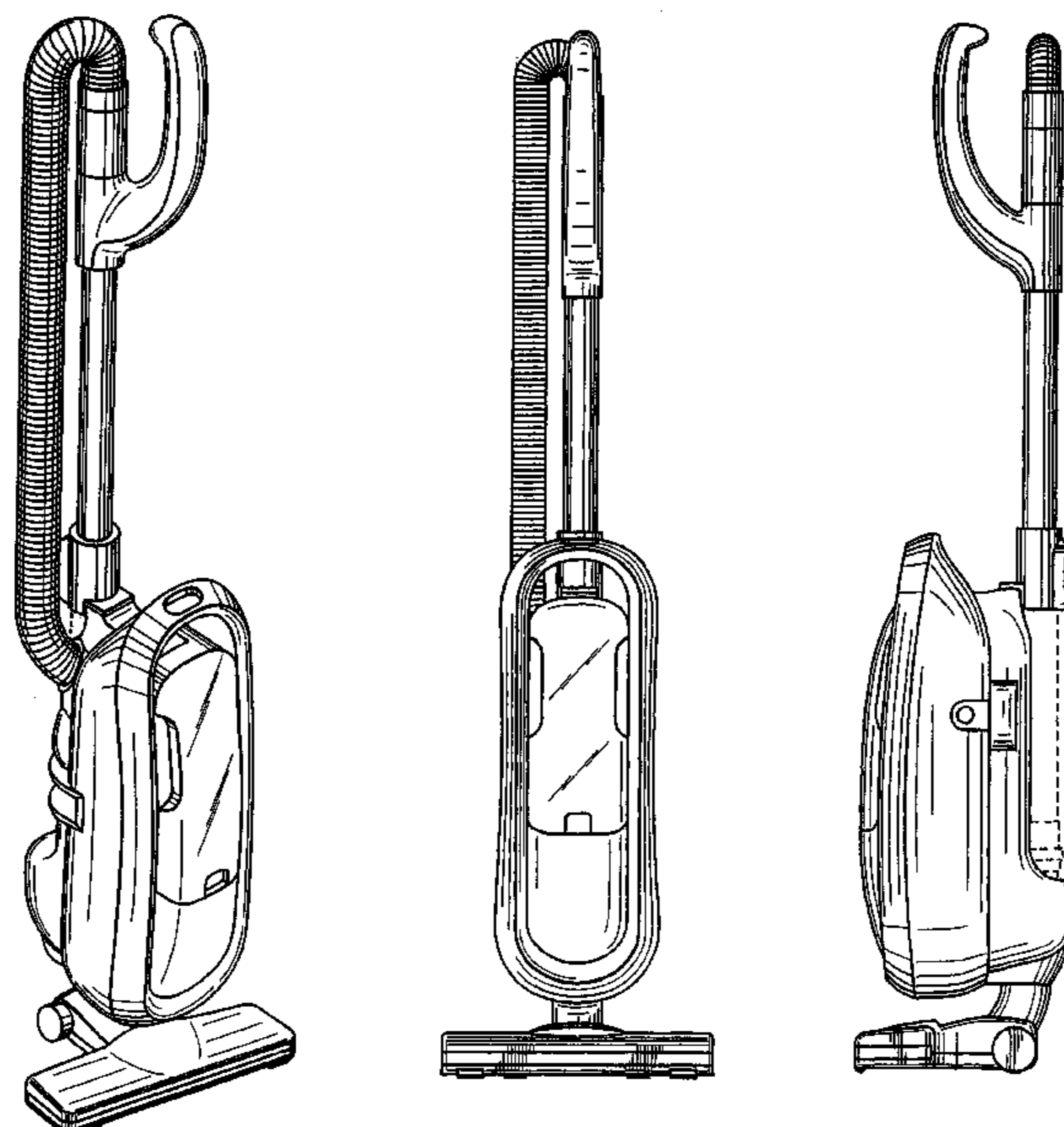


FIG. 1

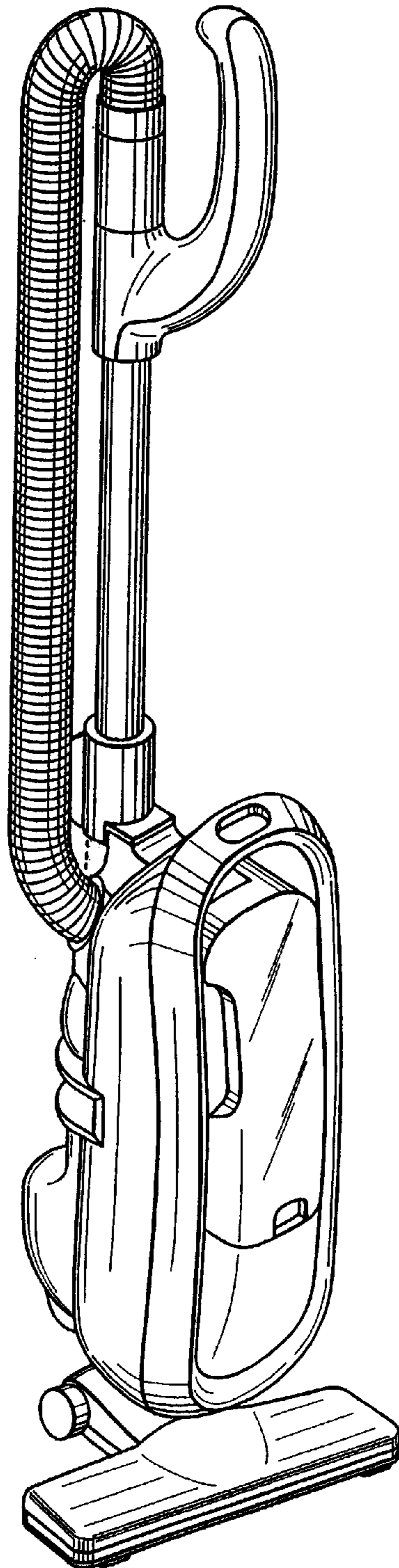


FIG. 2

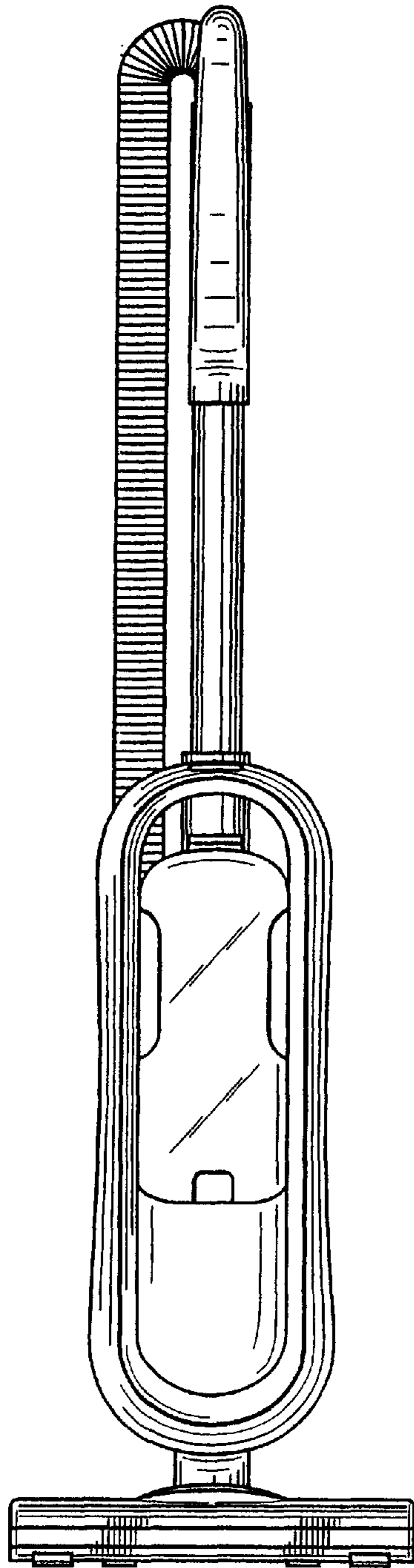


FIG. 3

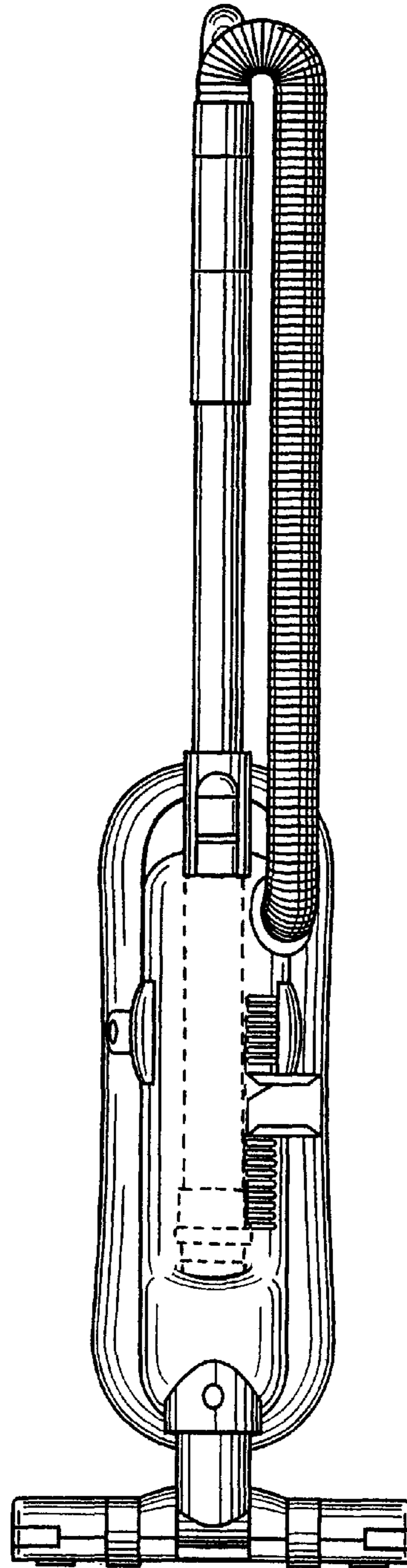


FIG. 4

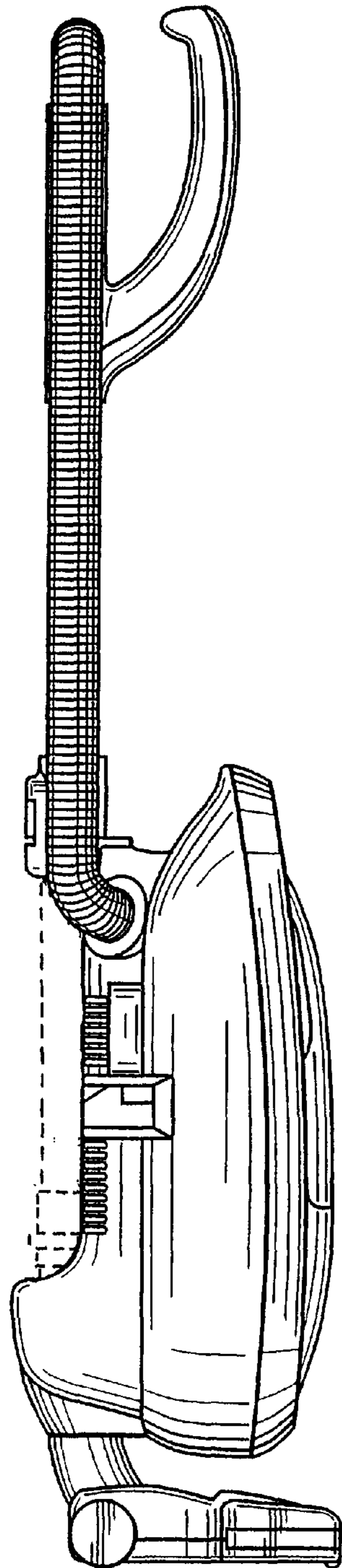


FIG. 5

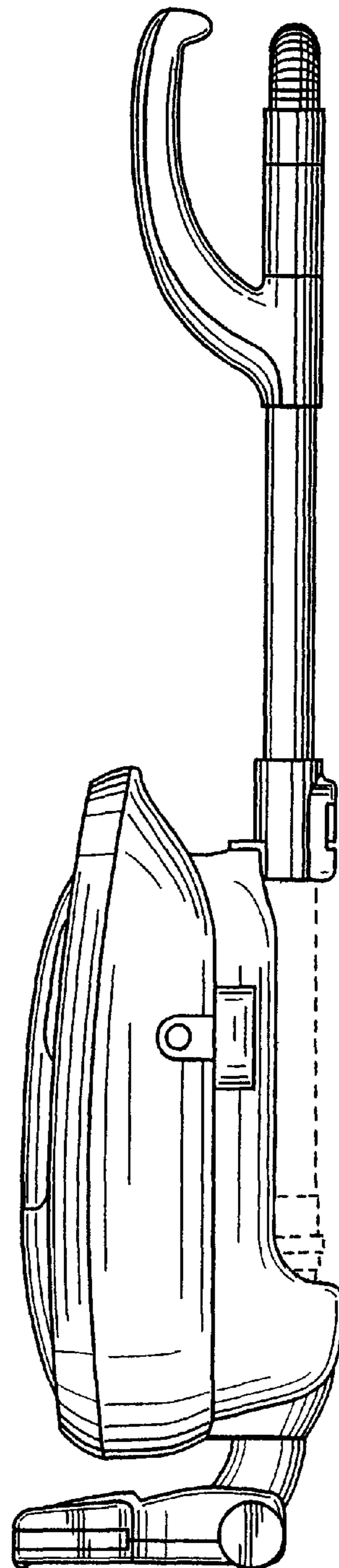


FIG. 6

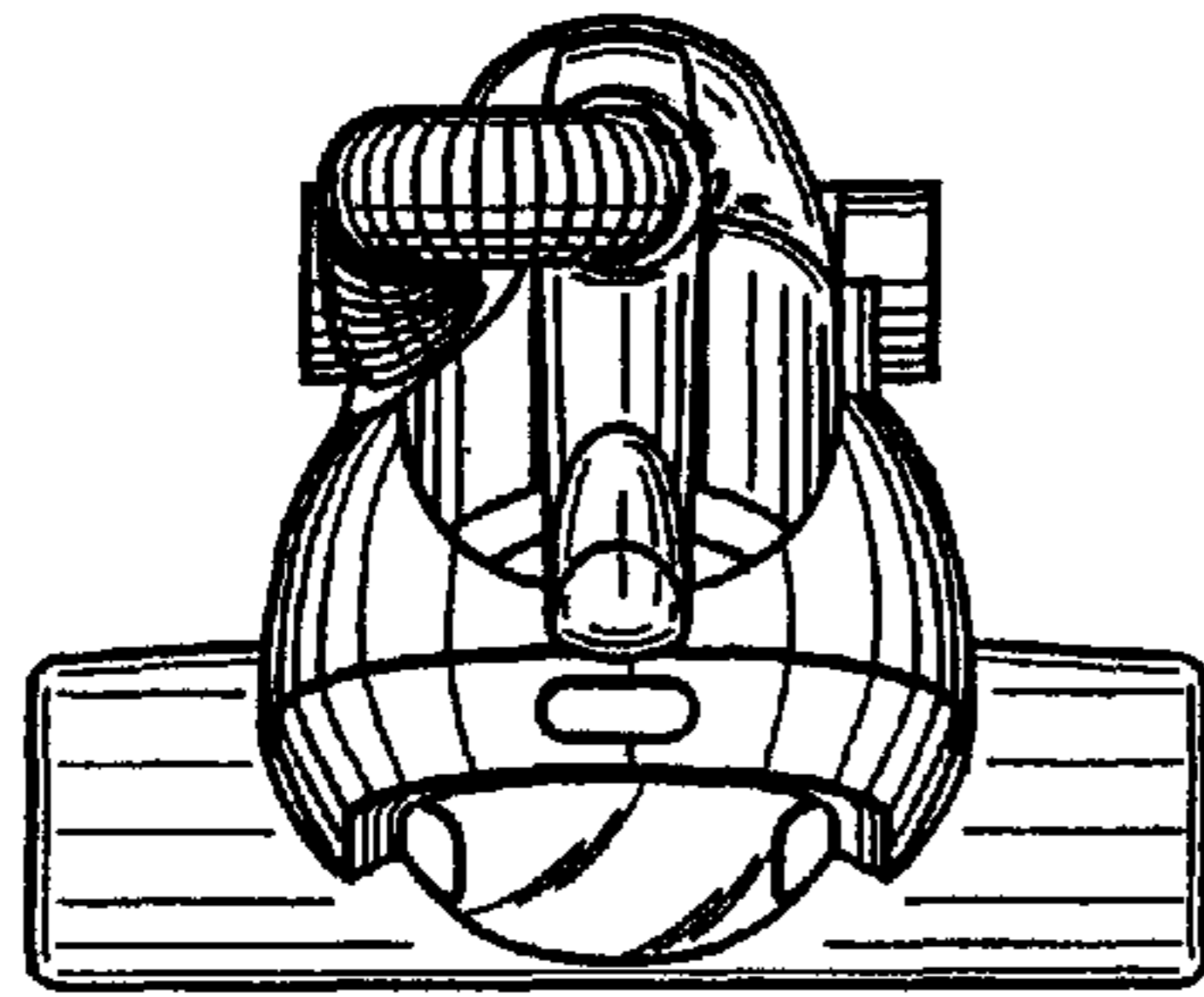


FIG. 8

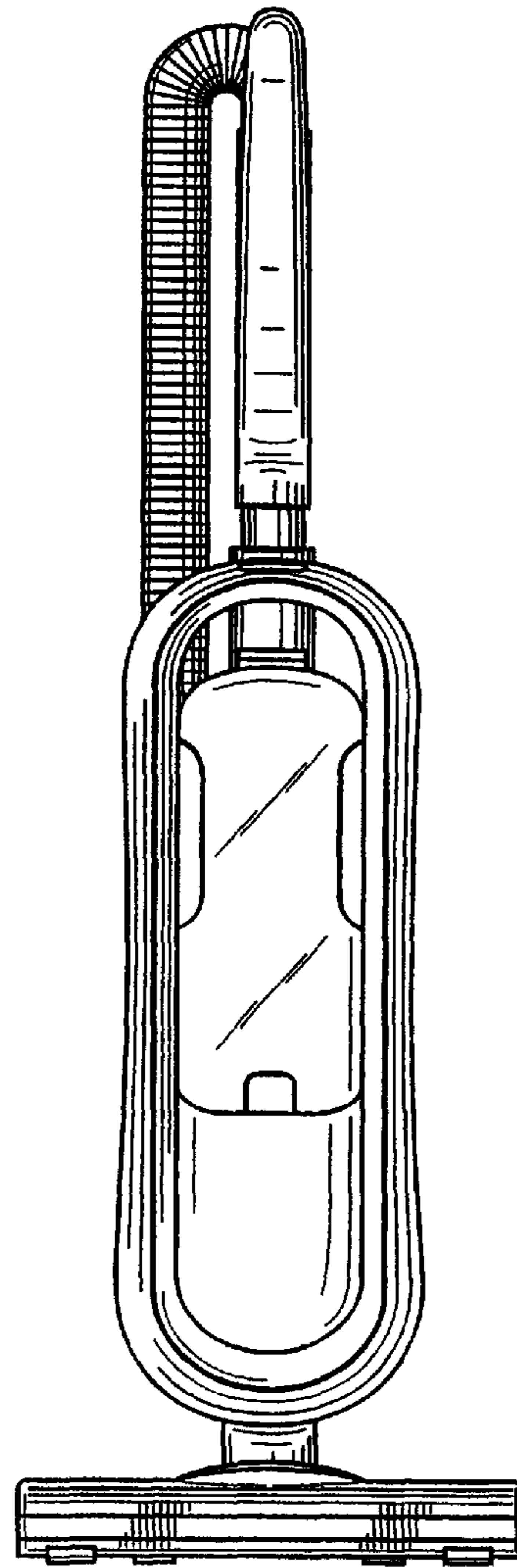


FIG. 7

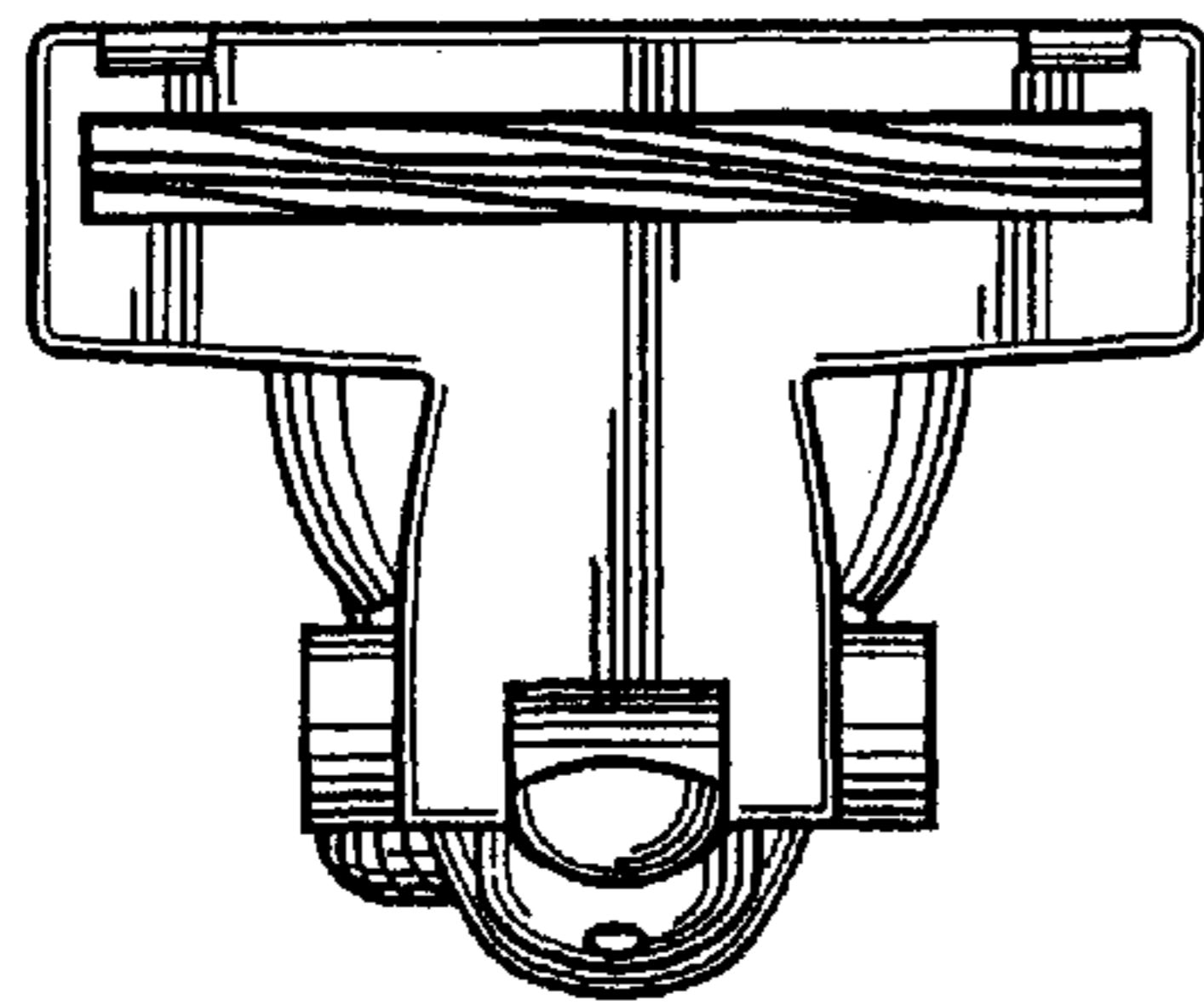


FIG. 9

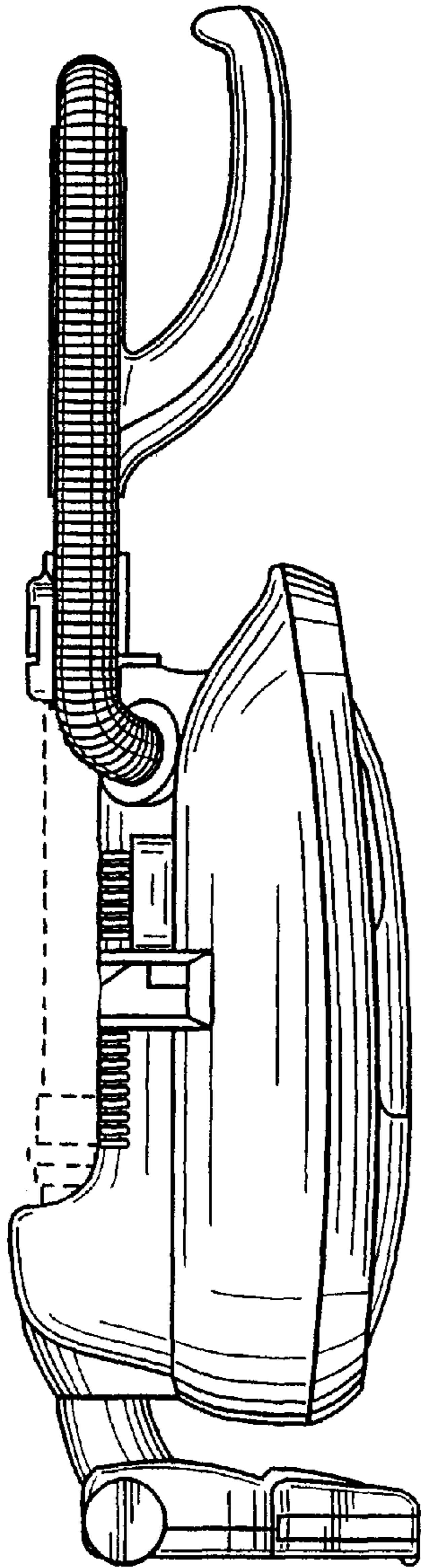


FIG. 10

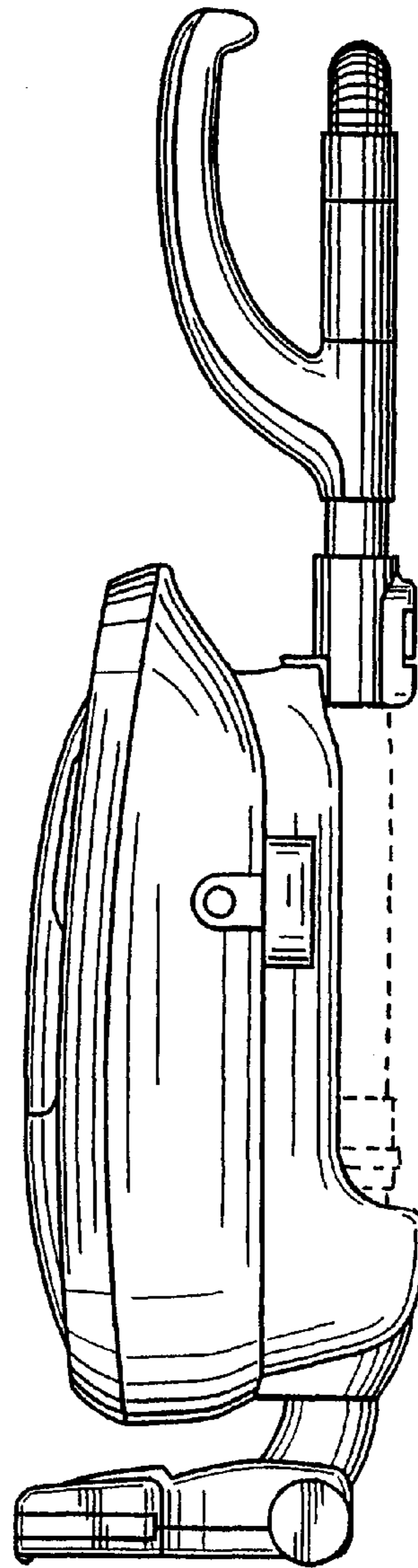


FIG. 11

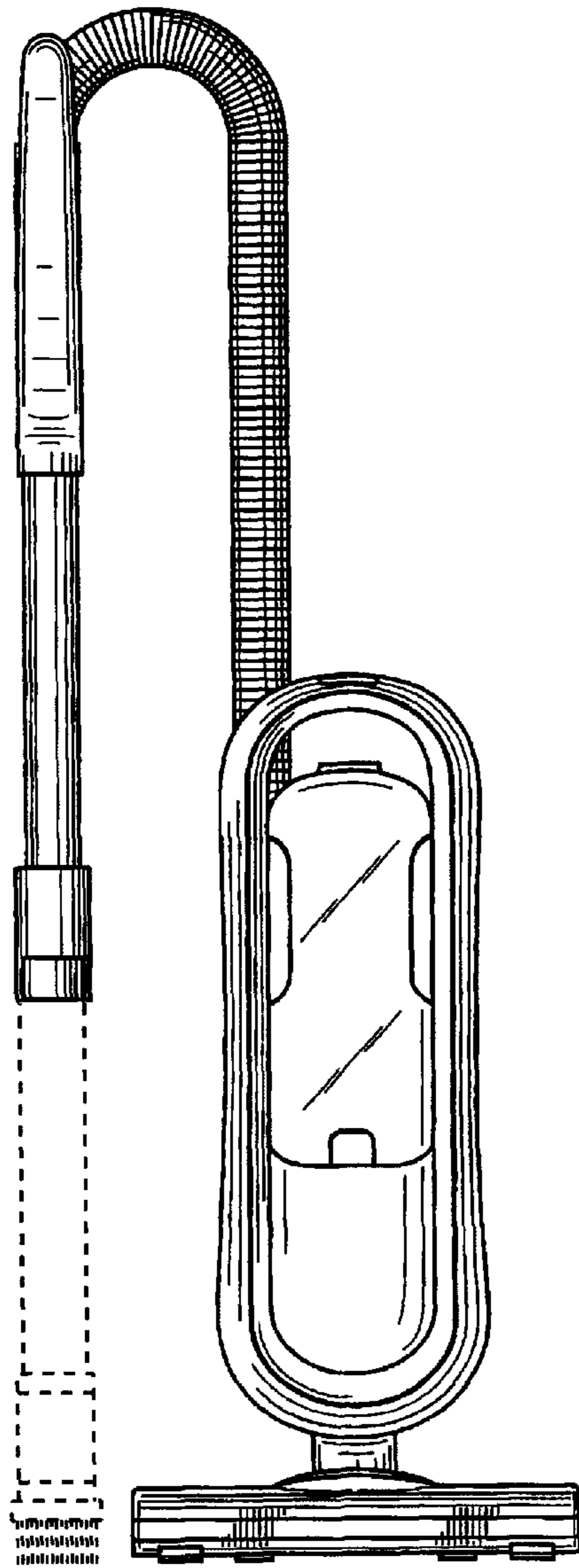
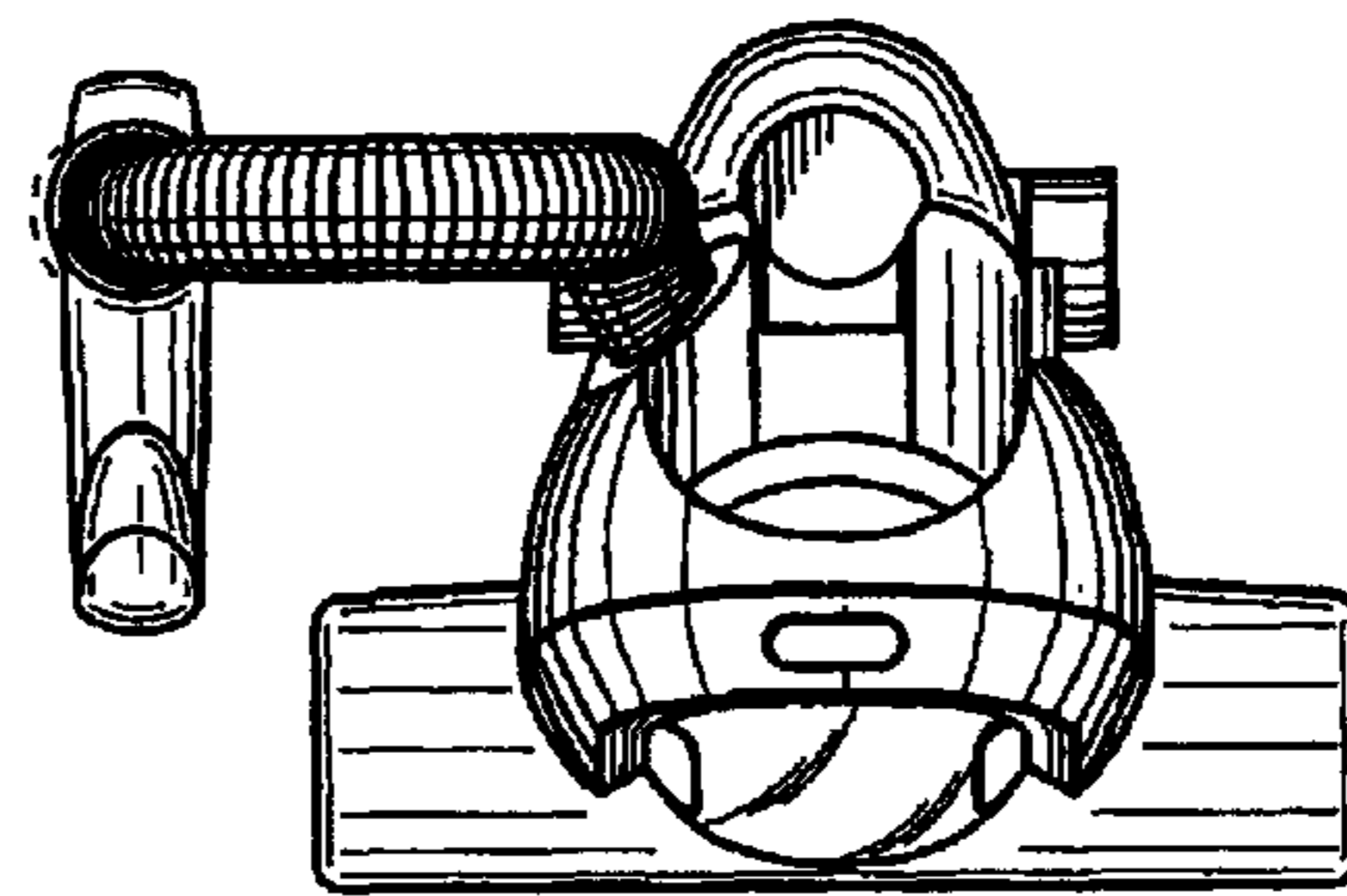


FIG. 12



UNITED STATES PATENT AND TRADEMARK OFFICE  
**CERTIFICATE OF CORRECTION**

PATENT NO. : Des. 518,928 S  
APPLICATION NO. : 29/201495  
DATED : April 11, 2006  
INVENTOR(S) : Yukie Chiba

Page 1 of 1

It is certified that error appears in the above-identified patent and that said Letters Patent is hereby corrected as shown below:

On the cover page, Item (73) Assignee:  
--Toshiba Consumer Marketing Corporation (JP)-- has been inserted.

Signed and Sealed this

Twenty-second Day of May, 2007

A handwritten signature in black ink on a light gray dotted background. The signature reads "Jon W. Dudas" in a cursive style.

JON W. DUDAS

*Director of the United States Patent and Trademark Office*