



US00D518925S

(12) **United States Design Patent**
Guoli

(10) **Patent No.:** **US D518,925 S**

(45) **Date of Patent:** **** Apr. 11, 2006**

(54) **AIR PUMP FOR AQUARIA**

(75) Inventor: **Giacomo Guoli**, Loreggia (IT)

(73) Assignee: **New Tecno Industria S.R.L.**, Loreggia (IT)

(**) Term: **14 Years**

(21) Appl. No.: **29/204,164**

(22) Filed: **Apr. 26, 2004**

(30) **Foreign Application Priority Data**

Dec. 30, 2003 (EM) 116876

(51) **LOC (8) Cl.** **30-02**

(52) **U.S. Cl.** **D30/106**

(58) **Field of Classification Search** D30/106;
D23/213, 221; 119/259, 263; 210/169, 416.2;
261/30, 93, 120

See application file for complete search history.

(56) **References Cited**

U.S. PATENT DOCUMENTS

D218,969 S * 10/1970 Mango et al. D23/221
D240,305 S * 6/1976 Suchowdki et al. D30/106

4,985,181 A * 1/1991 Strada et al. 119/263
5,480,590 A * 1/1996 Neshat et al. 261/30
5,988,601 A * 11/1999 Burgess 261/93
6,106,709 A * 8/2000 Bresolin 210/169
6,328,286 B1 * 12/2001 Sanchez et al. 261/30

* cited by examiner

Primary Examiner—Cathy Anne MacCormac

(74) *Attorney, Agent, or Firm*—RatnerPrestia

(57) **CLAIM**

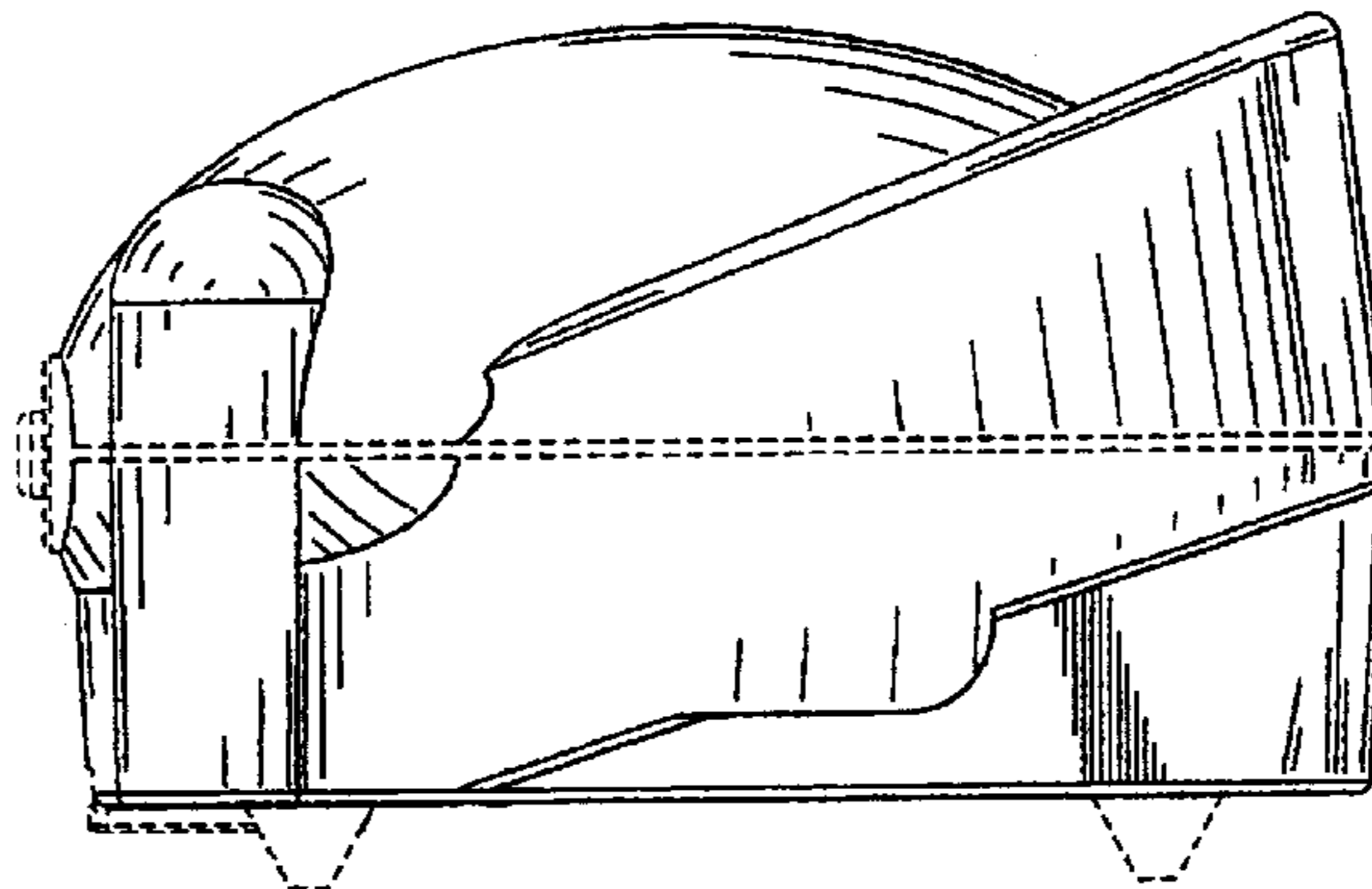
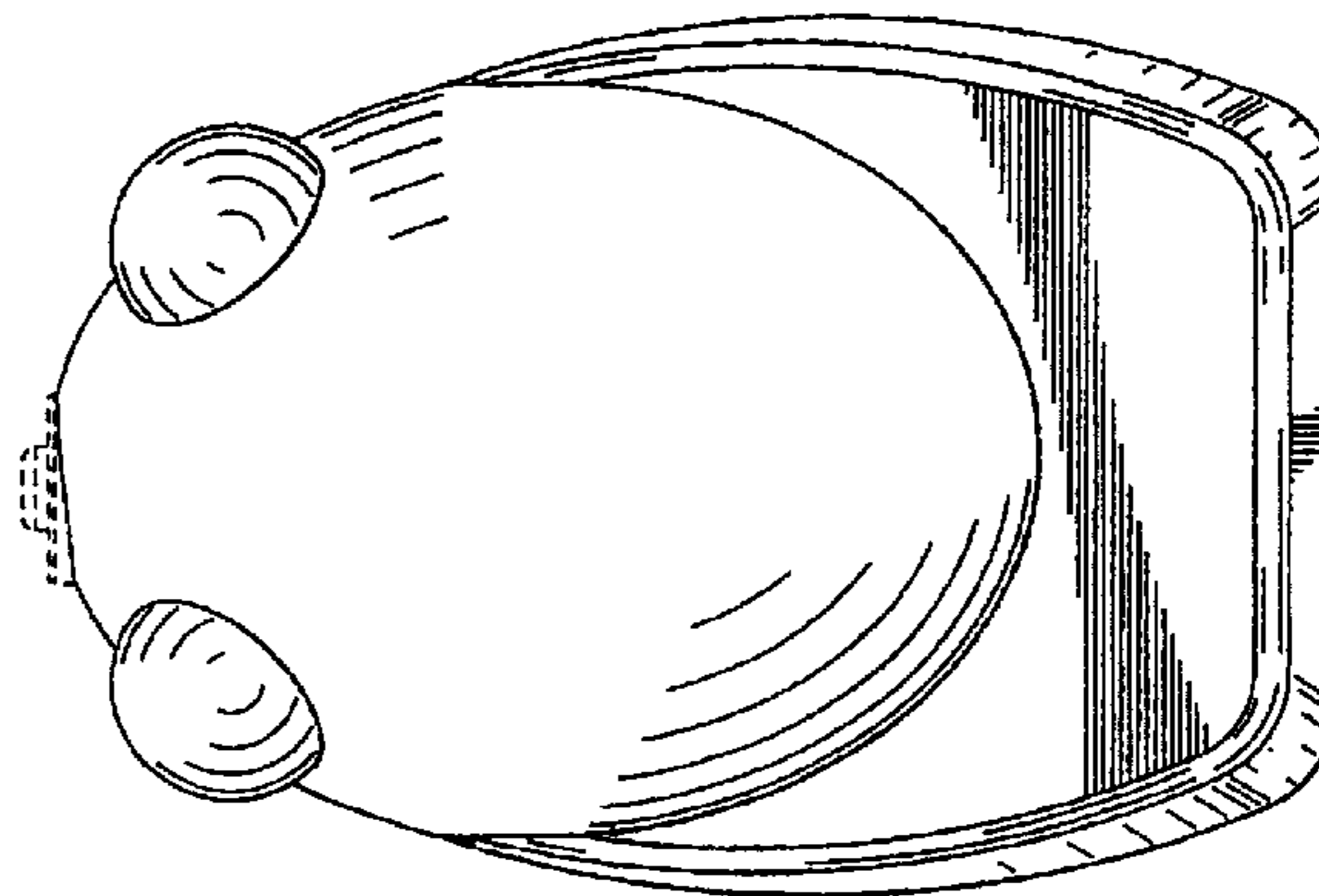
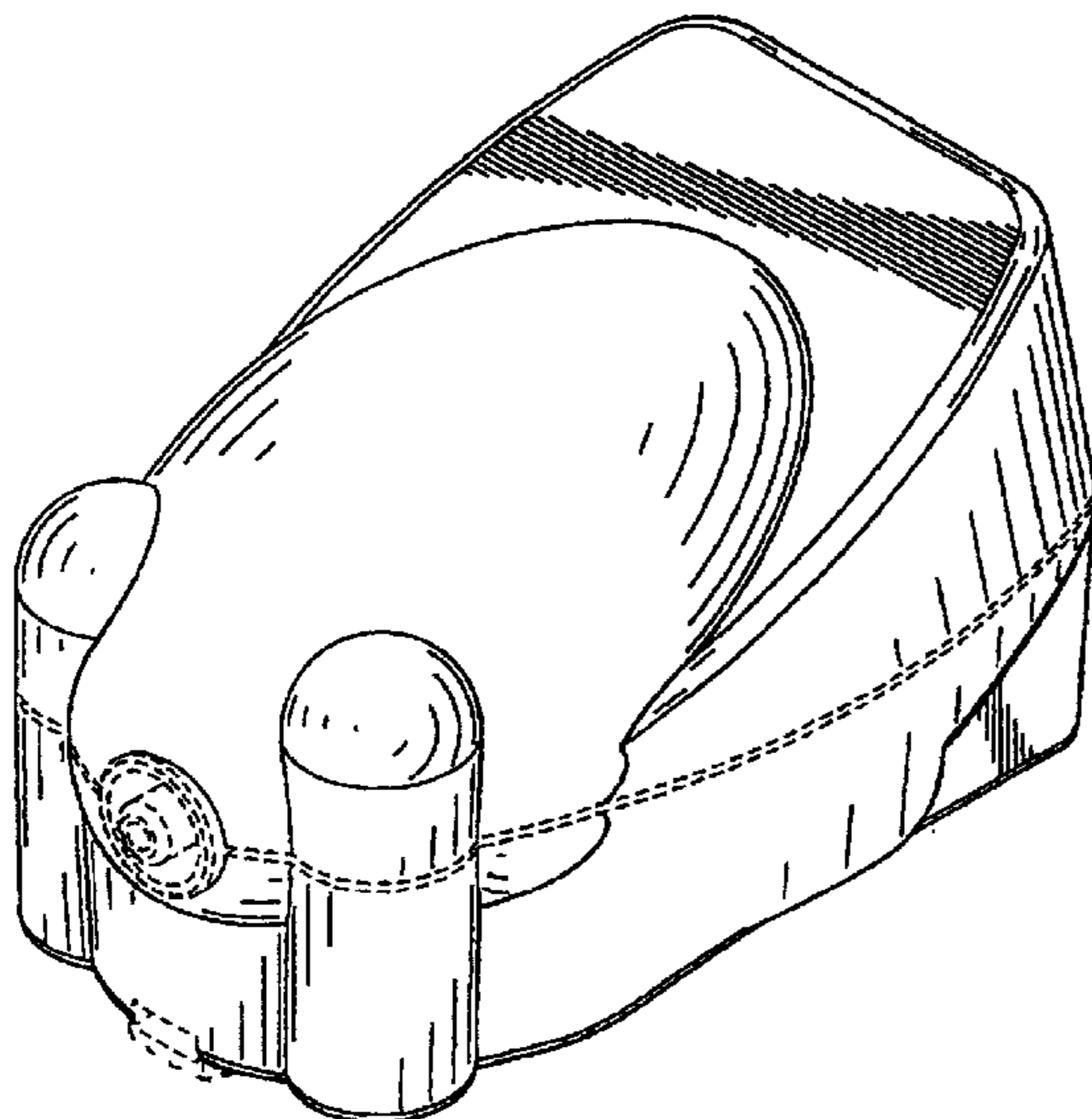
The ornamental design for an air pump for aquaria, substantially as shown and described.

DESCRIPTION

FIG. 1 is a perspective view;
FIG. 2 is a top view;
FIG. 3 is a right side view (the left side is a mirror image of the right side);
FIG. 4 is a bottom view;
FIG. 5 is a rear view; and,
FIG. 6 is a front view.

The broken lines are for illustration only and form no part of the claimed design.

1 Claim, 2 Drawing Sheets



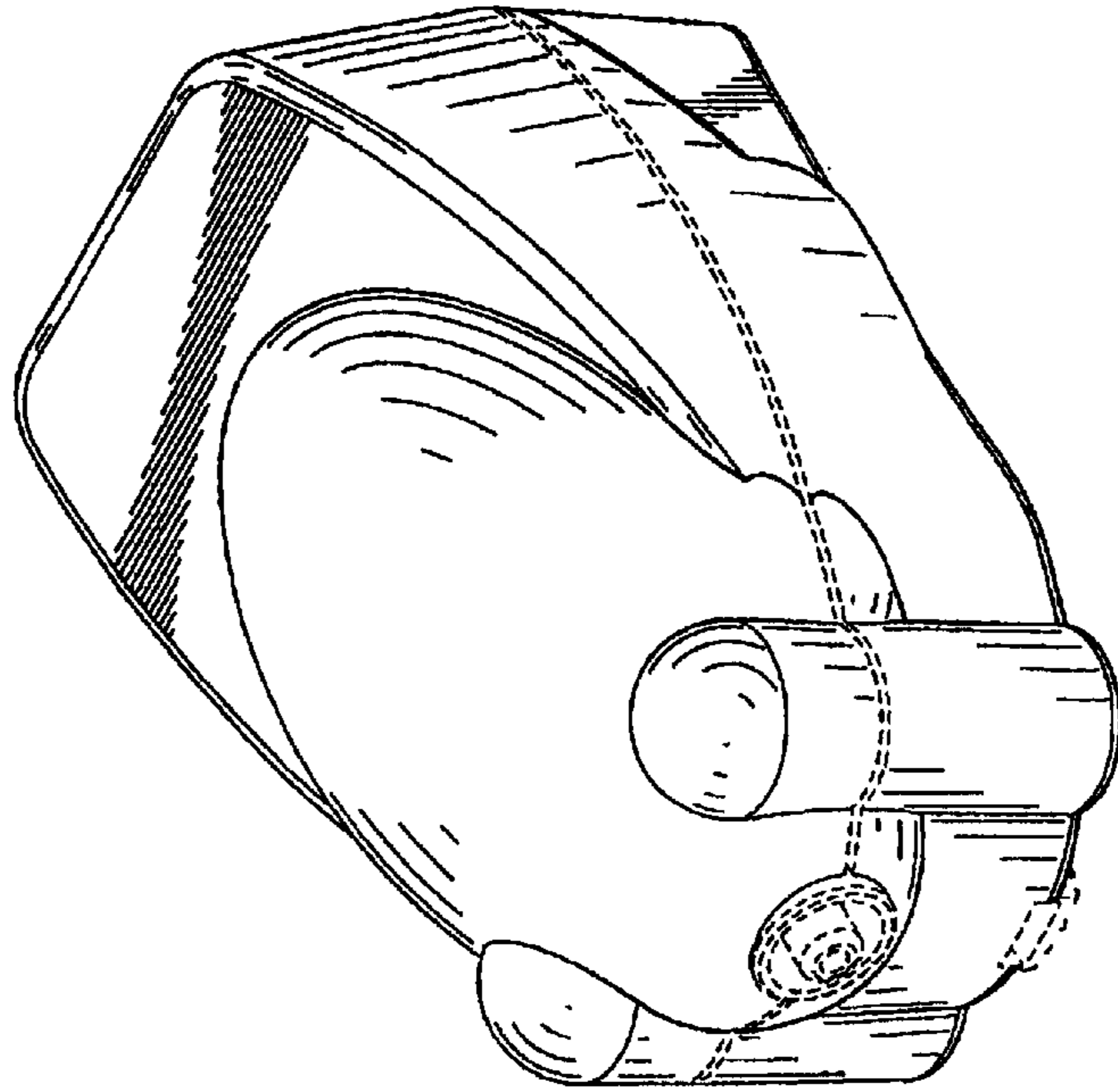


FIG. 1

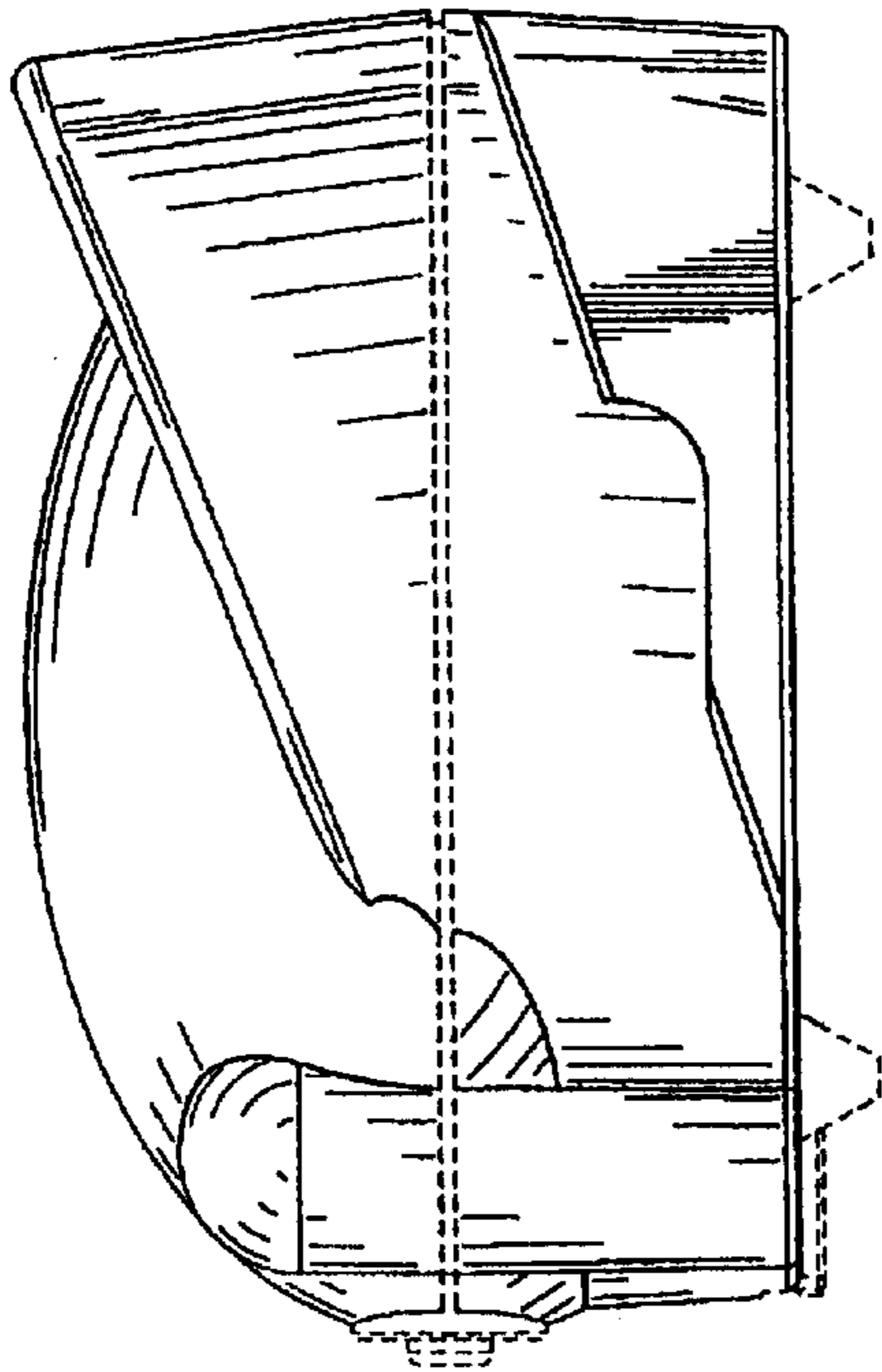


FIG. 3

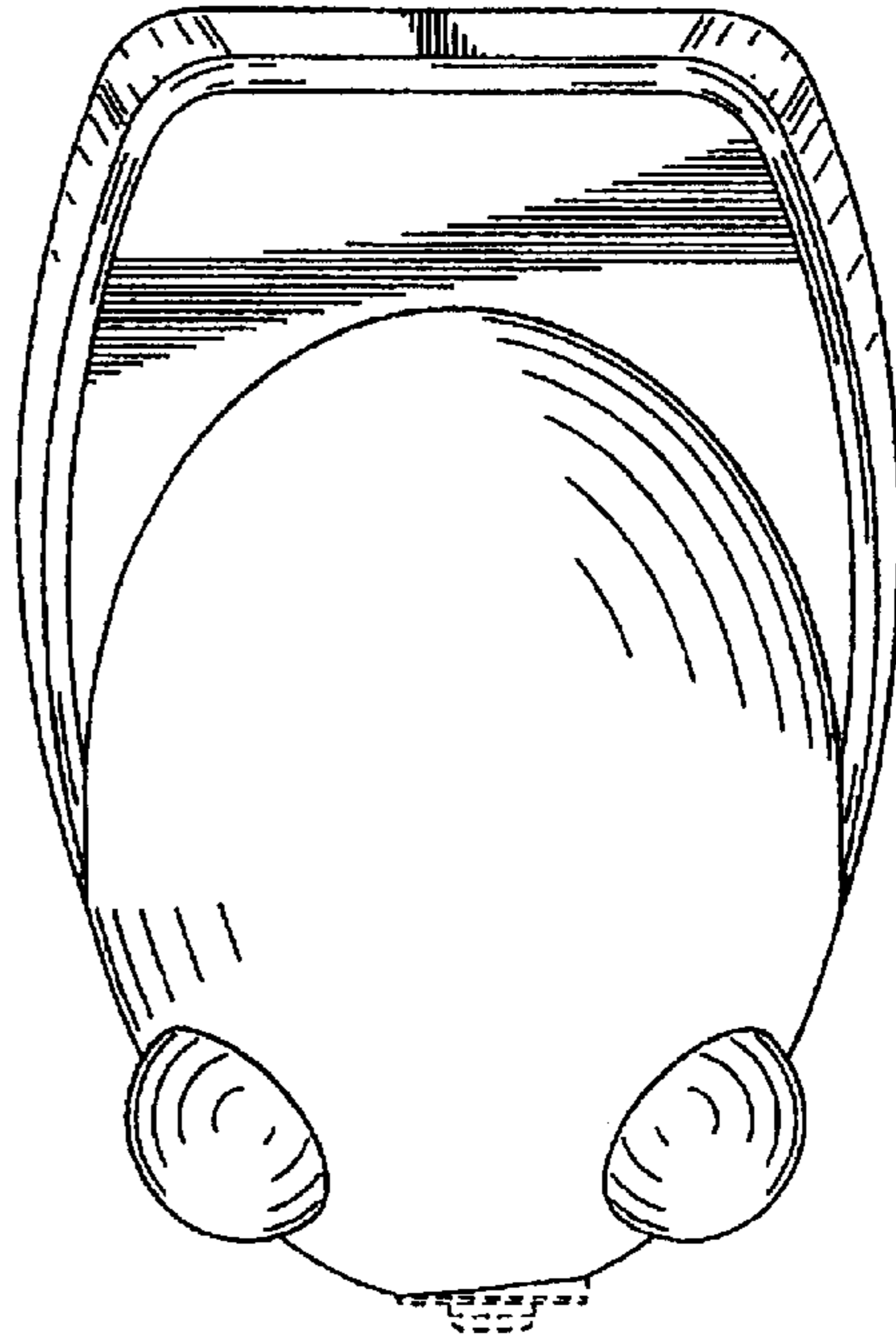


FIG. 2

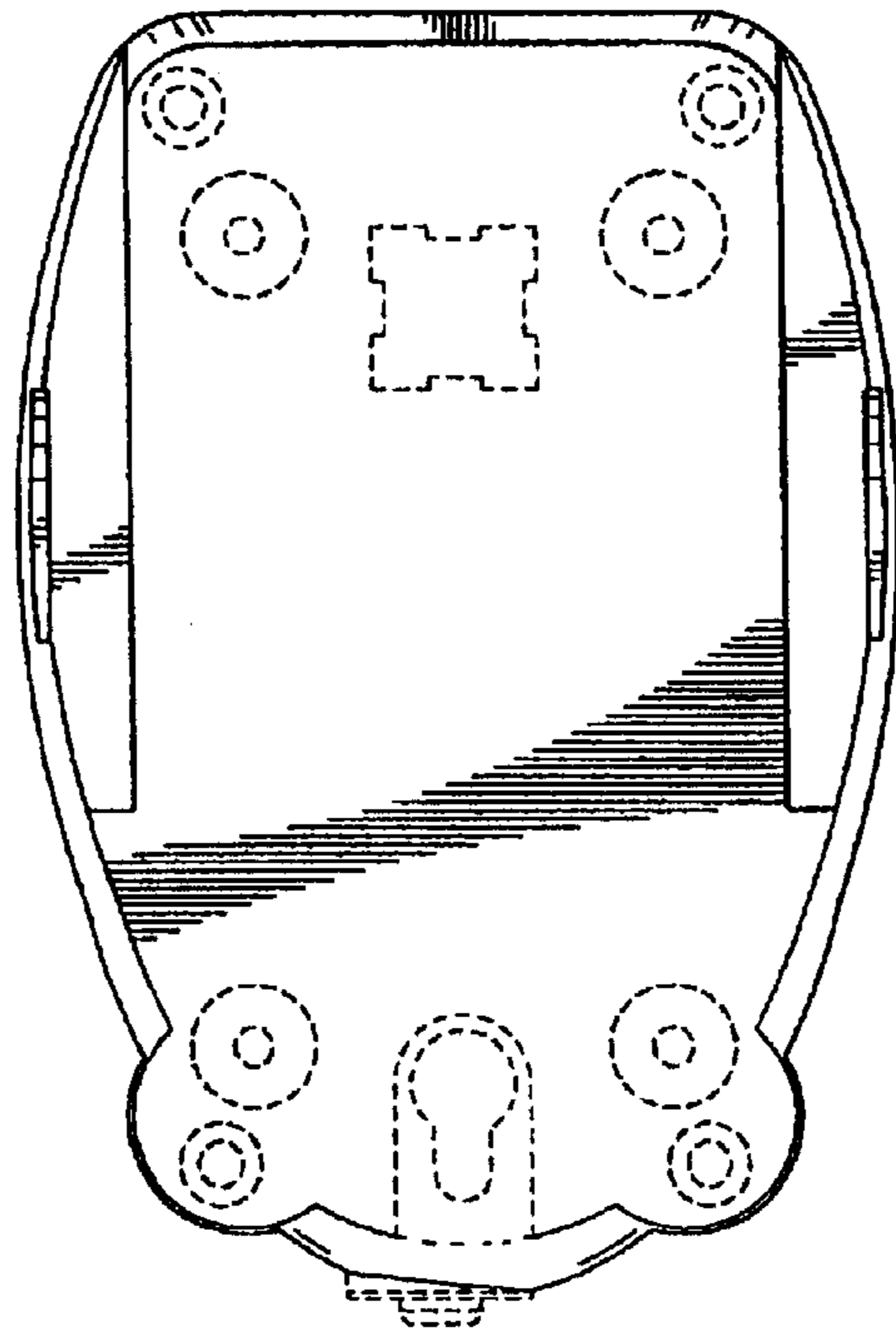


FIG. 4

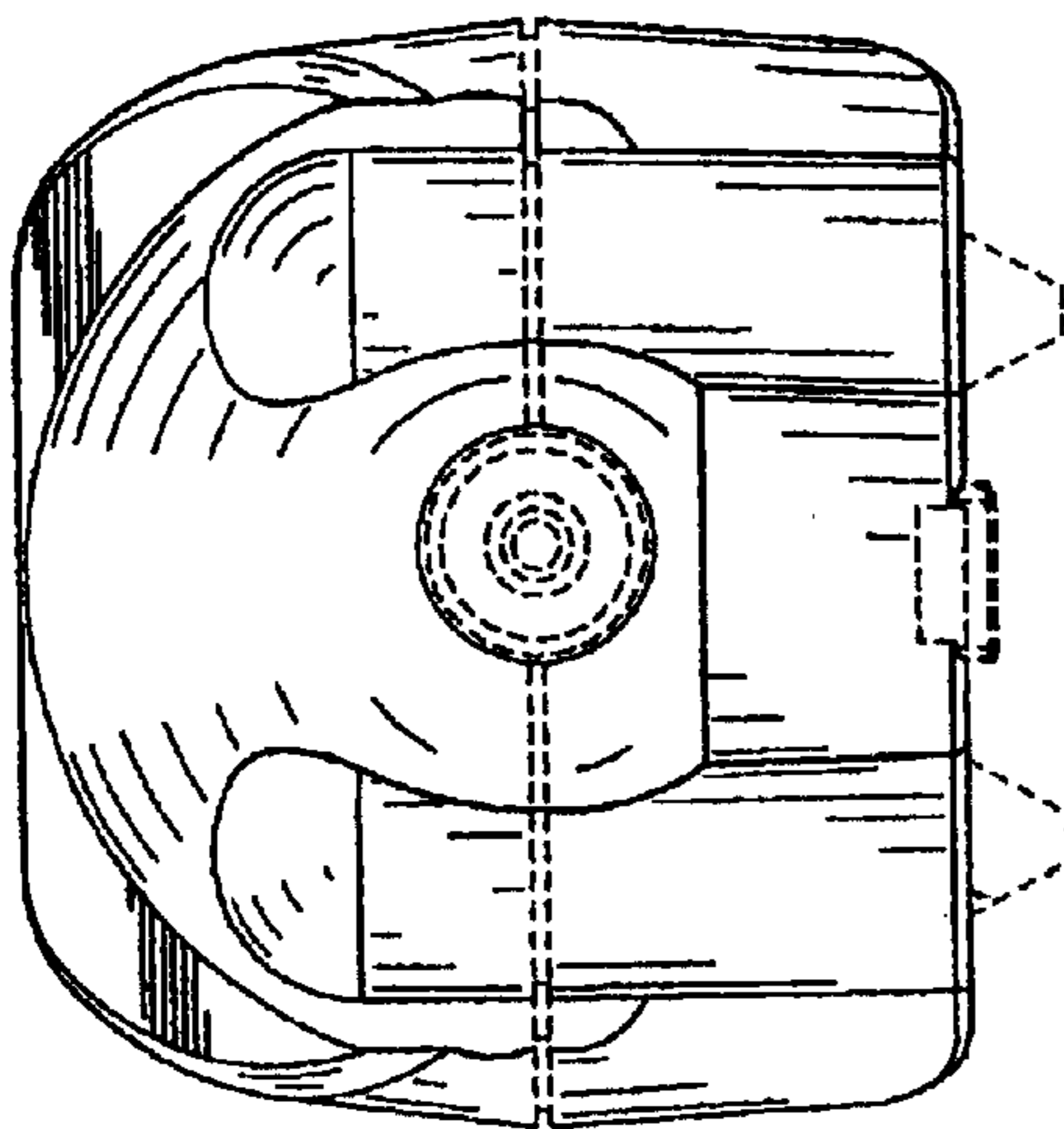


FIG. 6

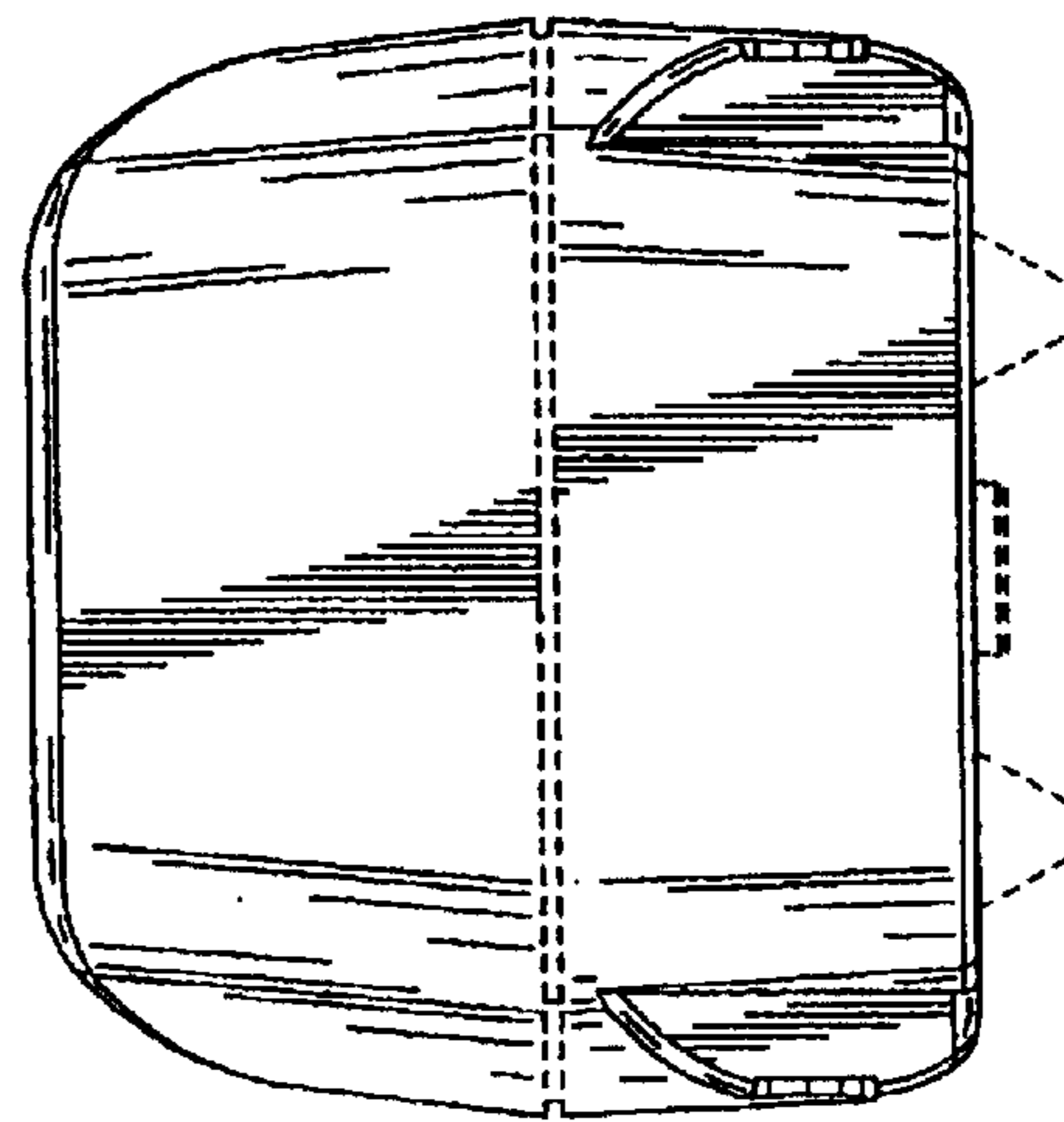


FIG. 5