



US00D518920S

(12) **United States Design Patent**
Fowler

(10) **Patent No.:** **US D518,920 S**
(45) **Date of Patent:** **** Apr. 11, 2006**

(54) **RIGID PROTECTIVE HELMET**
(76) Inventor: **David B. Fowler**, 272 Rourks Landing Rd. SE., Bolivia, NC (US) 28422
(**) Term: **14 Years**
(21) Appl. No.: **29/212,212**
(22) Filed: **Aug. 27, 2004**
(51) **LOC (8) Cl.** **09-03**
(52) **U.S. Cl.** **D29/104**
(58) **Field of Classification Search** D29/102-106, D29/122; D2/865, 869-870, 878, 882, 886, D2/890; 2/6.1, 6.6, 6.8, 8, 68, 171, 173, 175.1, 2/195.1, 206, 410, 411-412, 414, 416-417, 2/423-425, 867
See application file for complete search history.

4,714,143 A 12/1987 Saliba 190/115
D300,275 S * 3/1989 Sjogren et al. D29/104
5,075,904 A 12/1991 Shirasaki et al. 2/412
5,093,937 A 3/1992 Kamata 2/424
5,271,103 A 12/1993 Darnell 2/418
5,289,591 A 3/1994 Andersen 2/411
5,519,895 A 5/1996 Barnes, Jr. 2/422
5,571,220 A 11/1996 Hall 2/424
5,718,004 A 2/1998 Broersma et al. 2/425
5,794,271 A 8/1998 Hastings 2/412
5,887,289 A 3/1999 Theoret 2/425
6,219,849 B1 4/2001 Crescentini 2/412
6,458,052 B1 10/2002 Pitsenberger et al. 473/598
D498,880 S * 11/2004 Jones D29/104
2002/0004946 A1 1/2002 Nelson 2/175.3
2005/0028253 A1 * 2/2005 Fowler 2/411

FOREIGN PATENT DOCUMENTS

DE 3314924 A1 9/1984 2/411
DE 3607583 A1 9/1987 2/411

* cited by examiner

Primary Examiner—Ruth McInroy
(74) *Attorney, Agent, or Firm*—Michael E. Mauney

(56) **References Cited**
U.S. PATENT DOCUMENTS

2,123,275 A 7/1938 Dym 2/3
D135,146 S * 3/1943 Maxwell et al. D2/882
2,371,712 A 3/1945 Schöll et al. 2/3
2,632,173 A 3/1953 Lyon 2/176
2,698,434 A 1/1955 Davia 2/3
2,896,218 A * 7/1959 Lipschutz 2/195.1
3,103,015 A 9/1963 Plastino 2/3
D201,743 S * 7/1965 Marchello D29/104
3,203,003 A 8/1965 Plastino 2/3
3,263,235 A 8/1966 Young 2/3
3,268,911 A 8/1966 Cox 2/3
3,280,402 A 10/1966 Scheibchen 2/3
3,286,275 A 11/1966 Marchello 2/3
D206,648 S * 1/1967 Webb D29/104
3,631,539 A 1/1972 Massa 2/3 R
D228,264 S * 9/1973 Potter D29/104
4,345,336 A 8/1982 Plastino 2/187
4,356,048 A 10/1982 Price 156/220
D277,425 S * 2/1985 Higginson D29/104

(57) **CLAIM**

The ornamental design for a rigid protective helmet, as shown and described.

DESCRIPTION

FIG. 1 is a front and right side perspective view of a rigid protective helmet showing my new design;
FIG. 2 is a front view thereof;
FIG. 3 is a left side view thereof;
FIG. 4 is a right side view thereof;
FIG. 5 is a rear view thereof;
FIG. 6 is a top view thereof; and,
FIG. 7 is a bottom perspective view thereof.

1 Claim, 7 Drawing Sheets

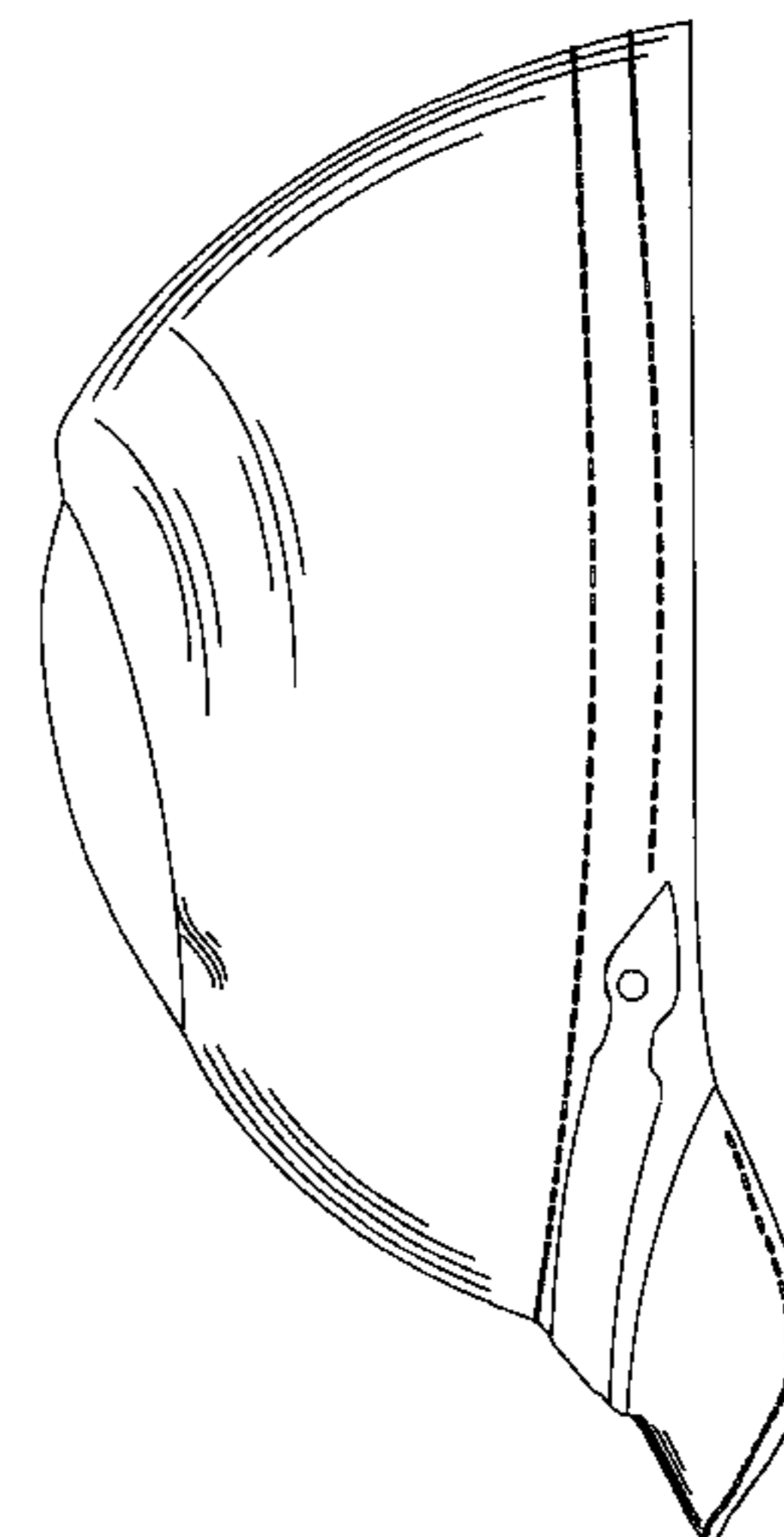
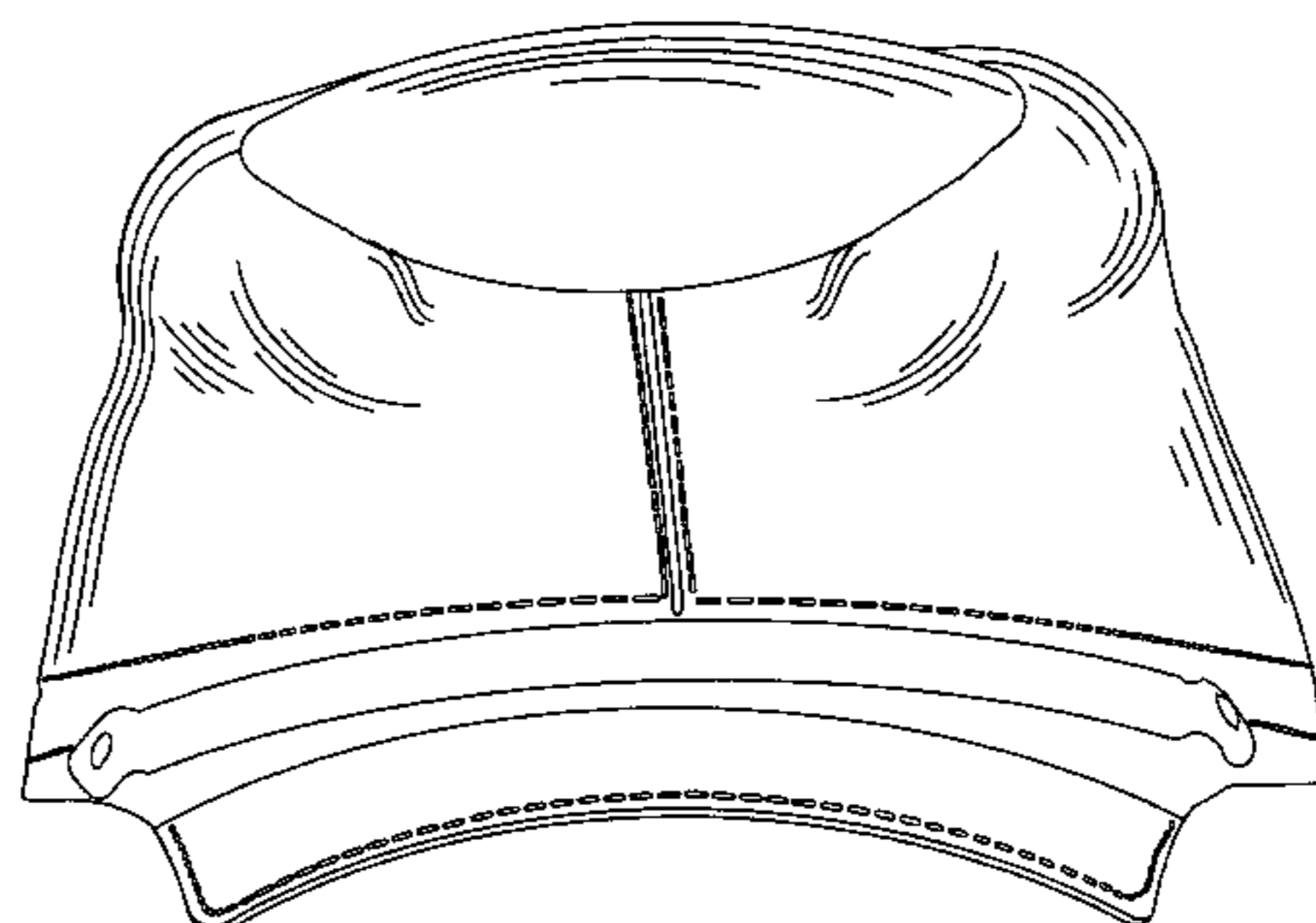
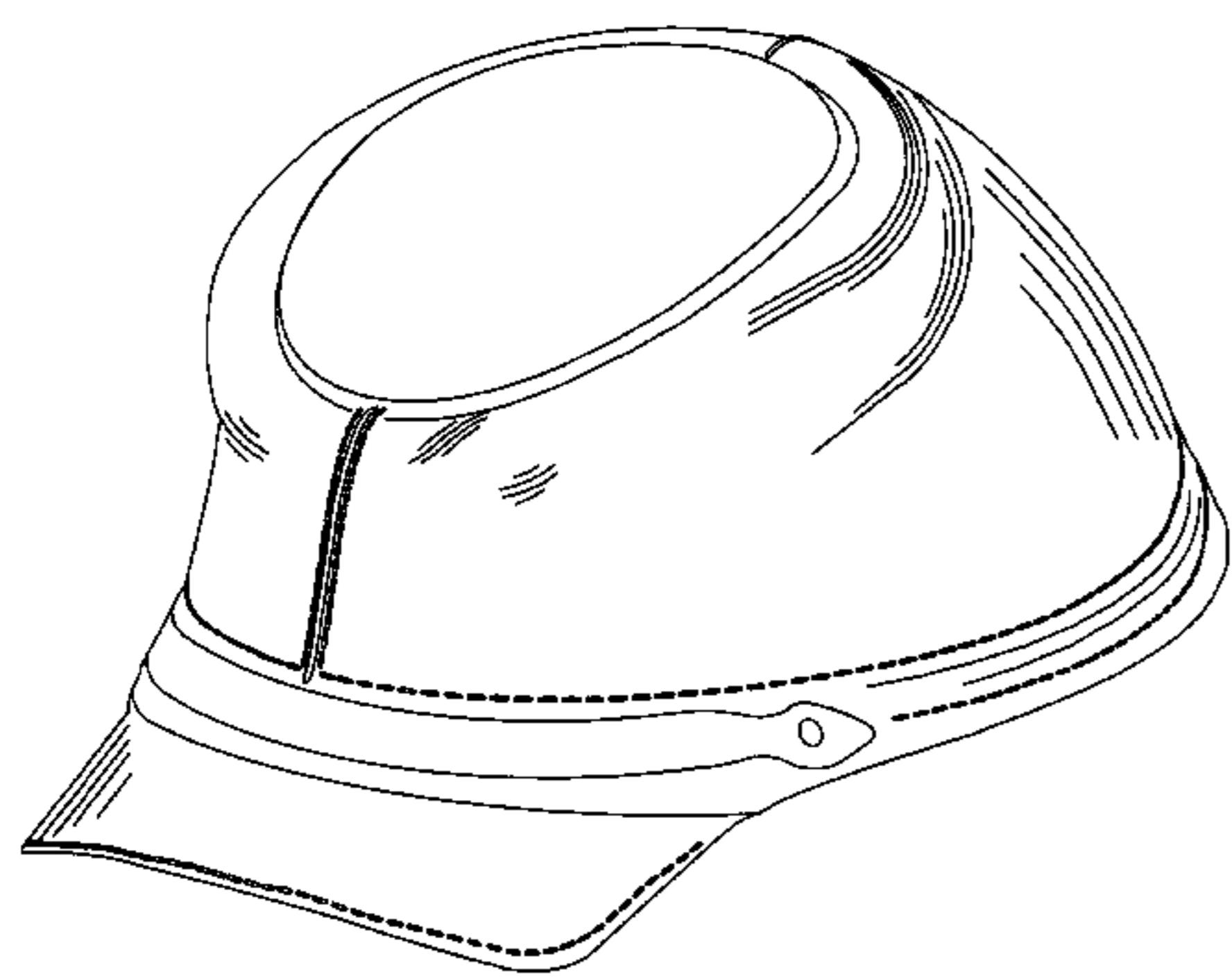


FIG. 1

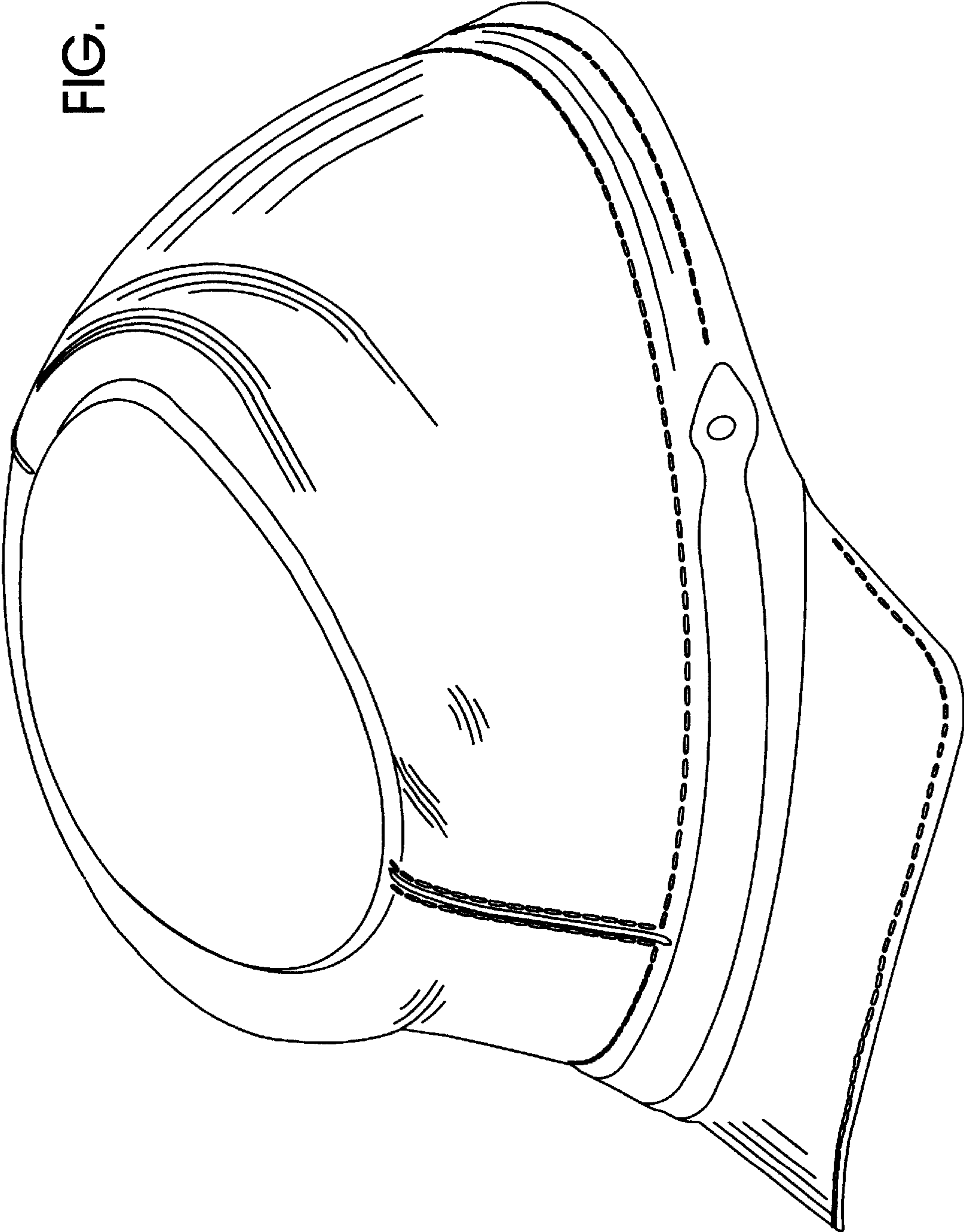


FIG. 2

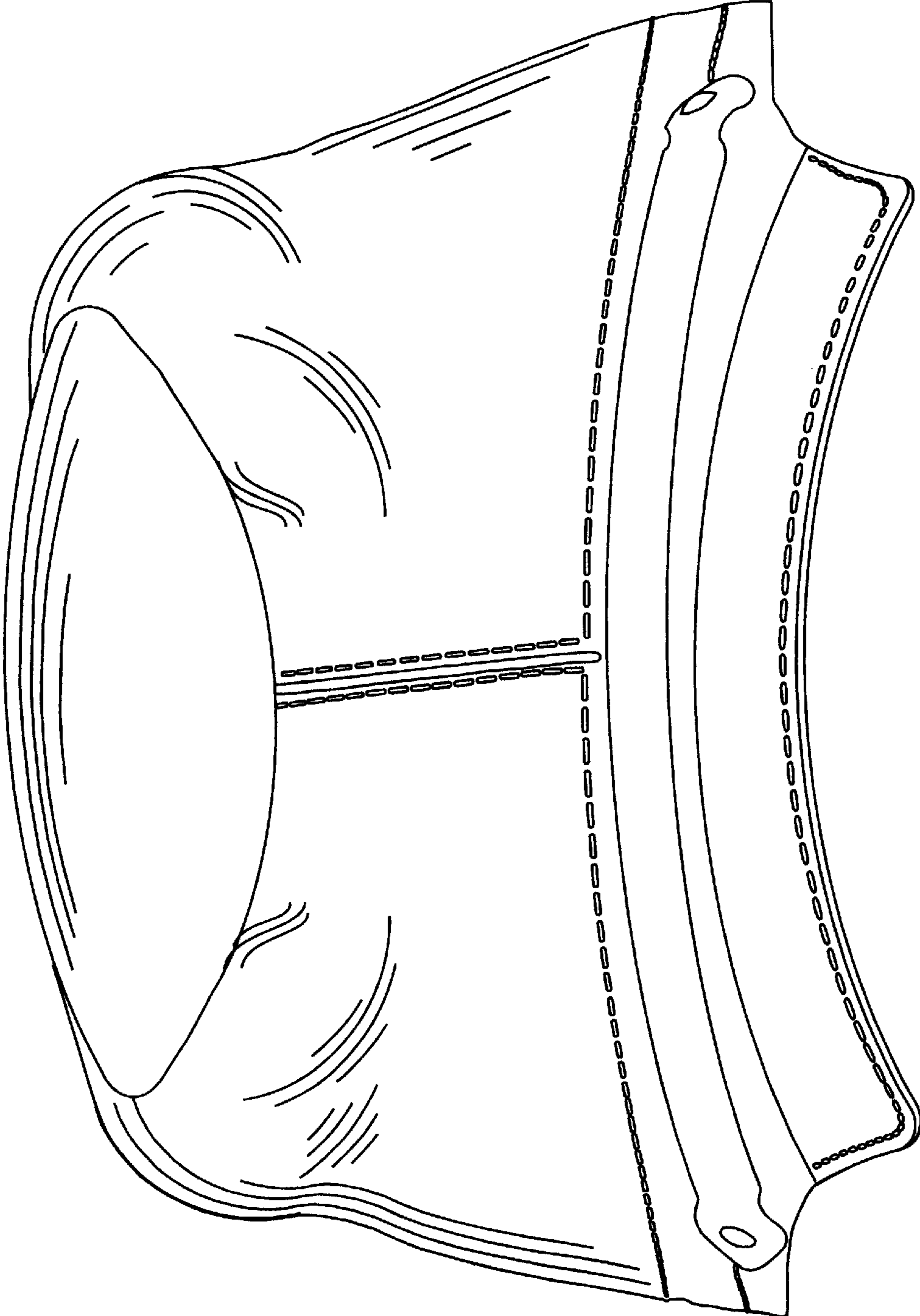


FIG. 3

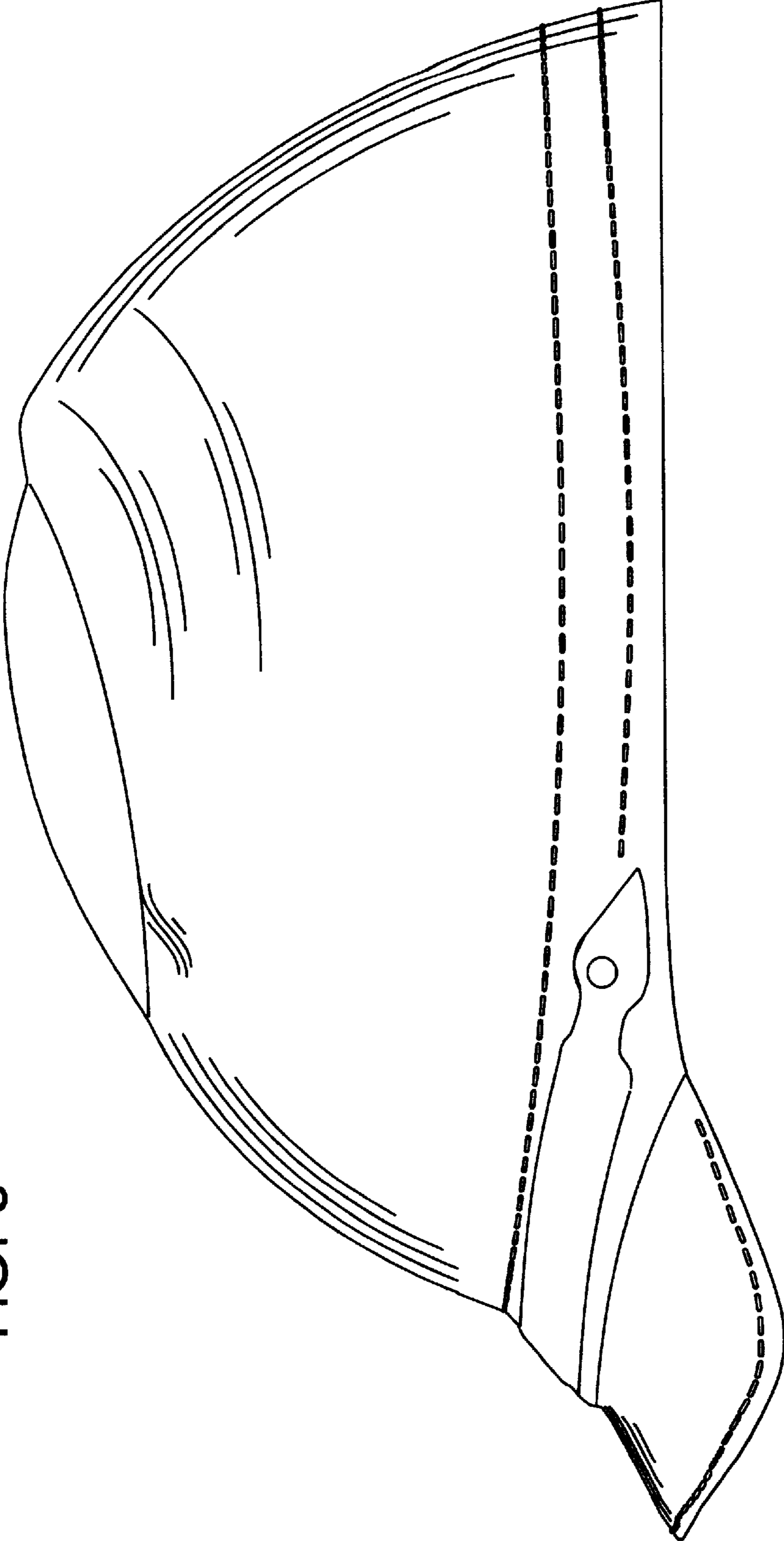


FIG. 4

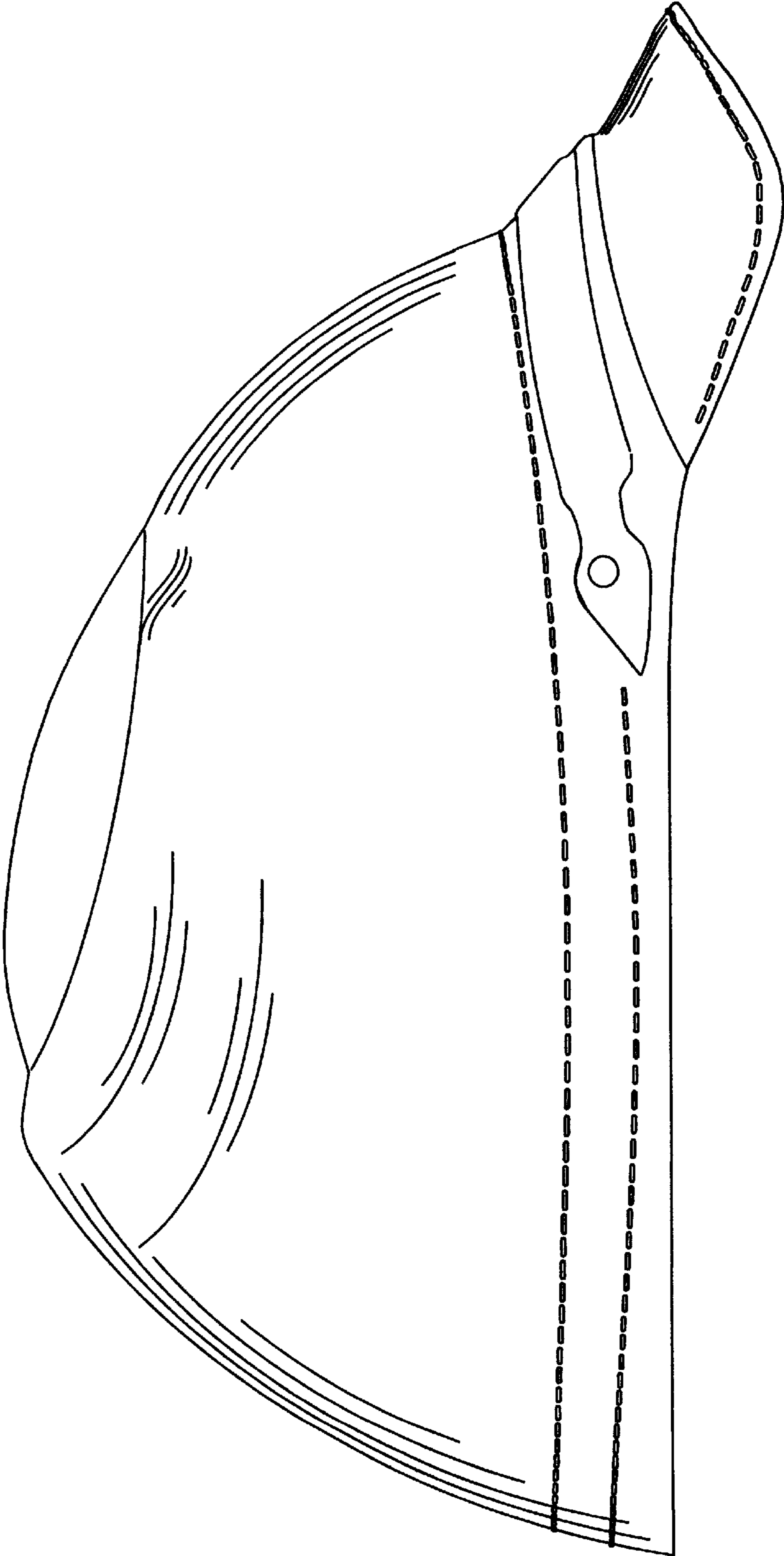


FIG. 5

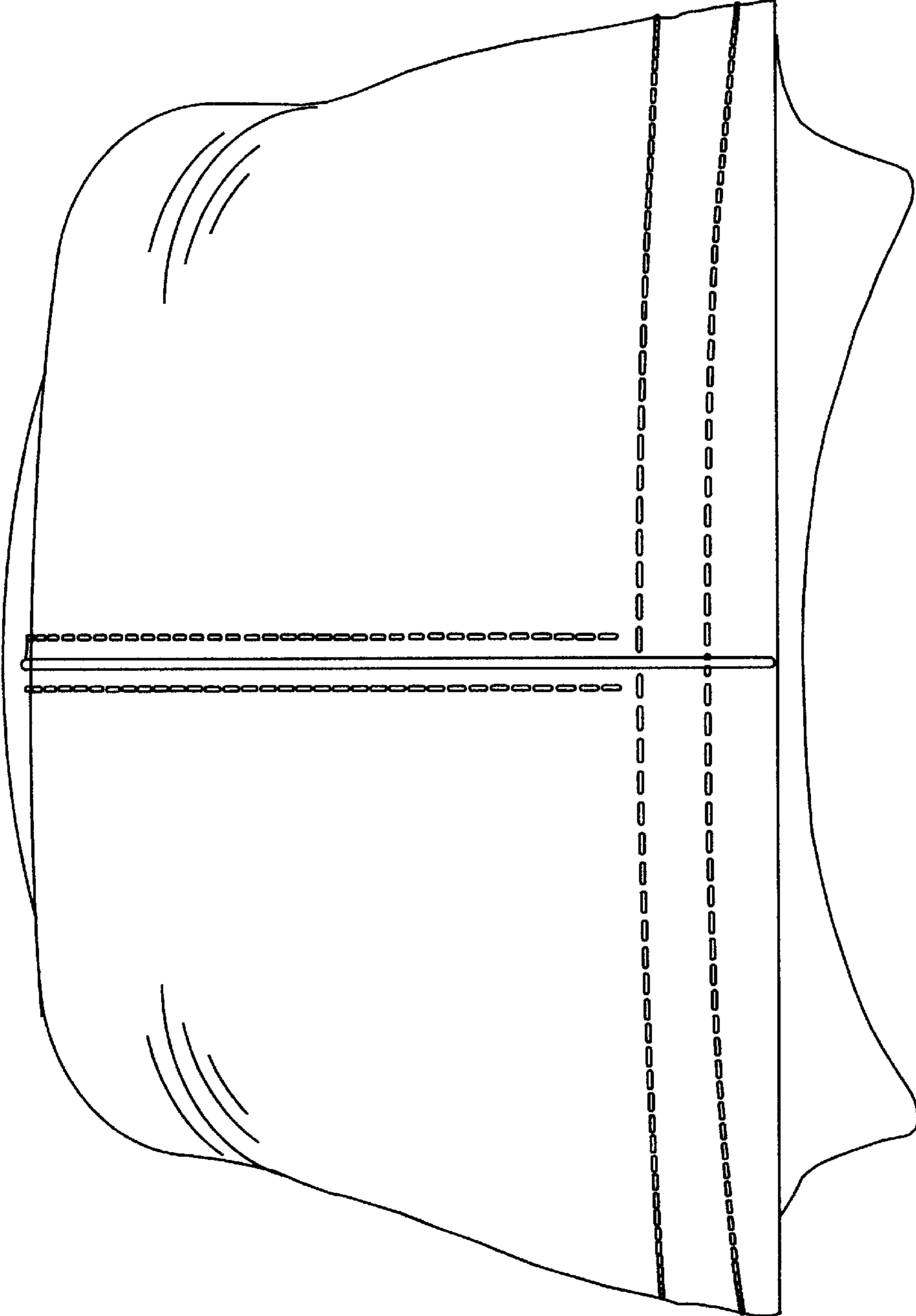
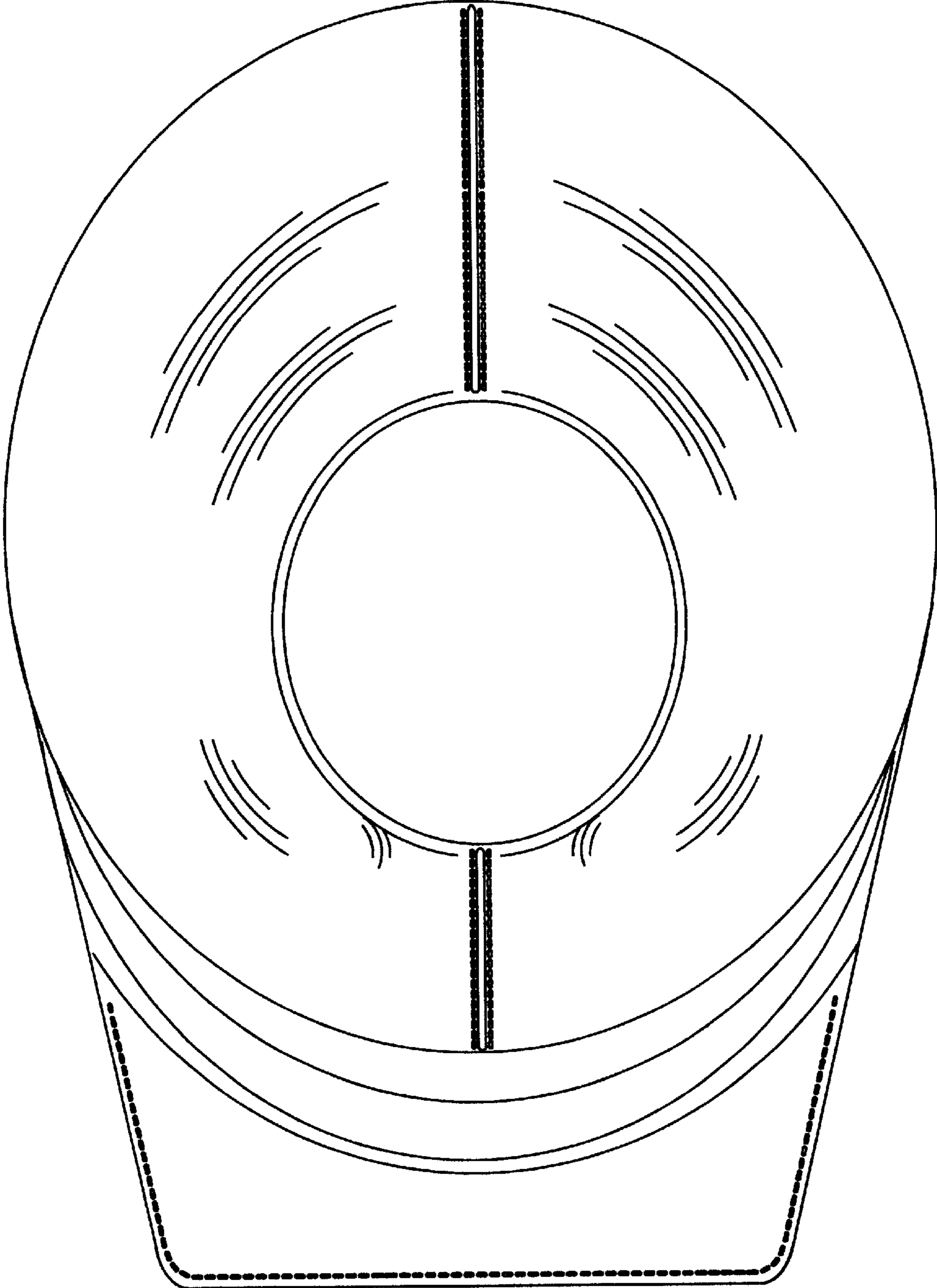


FIG. 6



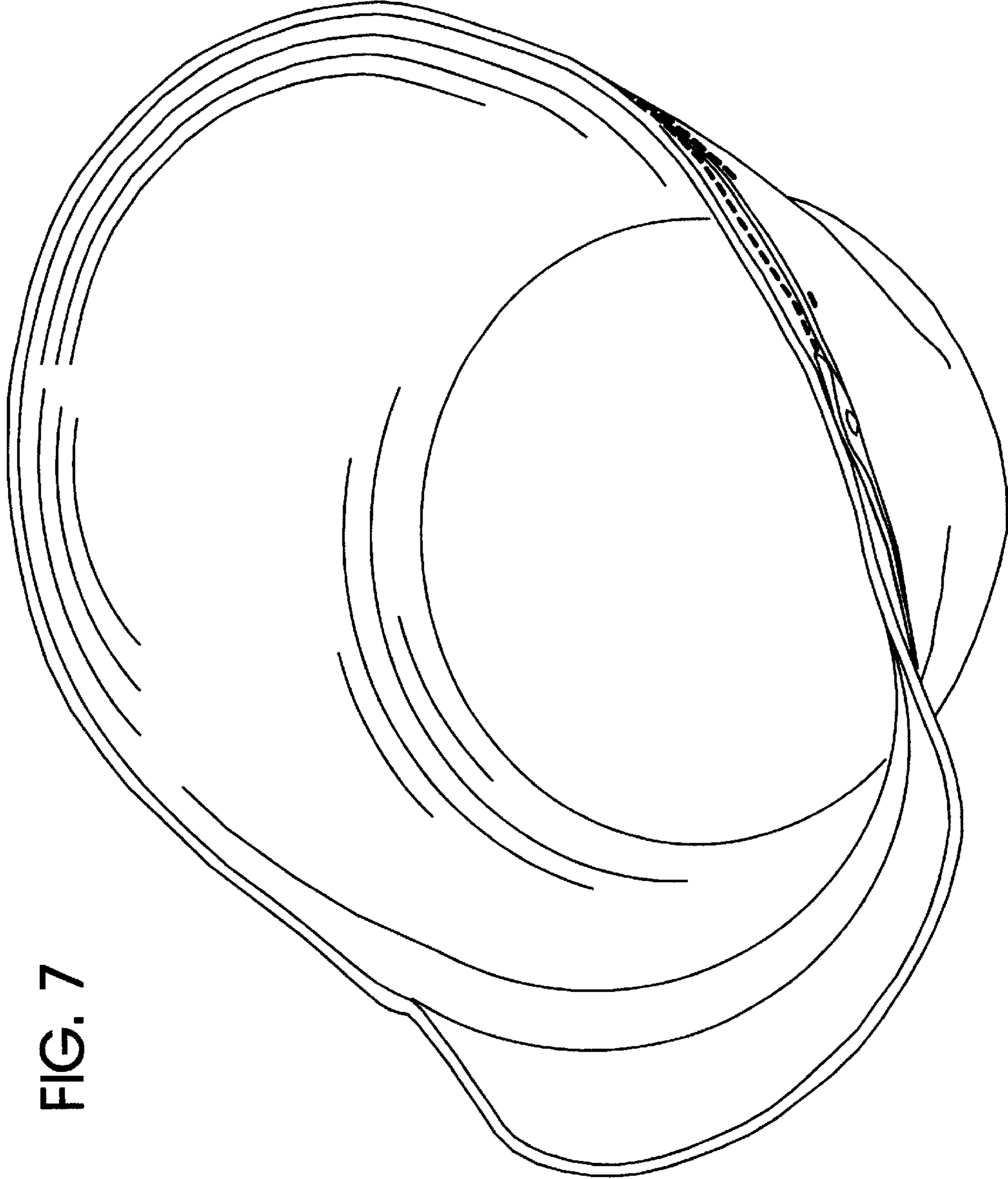


FIG. 7