



US00D518916S

(12) **United States Design Patent**
Angeletta

(10) **Patent No.:** **US D518,916 S**

(45) **Date of Patent:** **** Apr. 11, 2006**

(54) **LIQUID AND LOTION APPLICATOR
STRUCTURE**

(76) Inventor: **Joseph G. Angeletta**, 418 Fifth St.,
Mamaroneck, NY (US) 10543

(**) Term: **14 Years**

(21) Appl. No.: **29/226,825**

(22) Filed: **Apr. 1, 2005**

Related U.S. Application Data

(62) Division of application No. 29/187,917, filed on Aug. 8,
2003.

(51) **LOC (8) Cl.** **28-02**

(52) **U.S. Cl.** **D28/7**

(58) **Field of Classification Search** D28/7,
D28/63; D24/119; D4/114, 137, 138, 116;
D32/45, 51; 132/320, 317; 401/6, 187, 202-207,
401/261-266, 196, 139; 15/244.1, 104.94,
15/209.1, 210.1, 143.1

See application file for complete search history.

(56) **References Cited**

U.S. PATENT DOCUMENTS

D310,754 S * 9/1990 Gingras D4/138
D313,553 S * 1/1991 Lewis, Jr. D28/7
5,070,552 A * 12/1991 Gentry et al. 4/615
5,322,382 A * 6/1994 Hull et al. 401/131
5,454,659 A * 10/1995 Vosbikian et al. 401/207
D374,947 S * 10/1996 Chiaramonte D28/7
5,615,962 A * 4/1997 Staub 401/173
D392,104 S * 3/1998 Berti D4/138
D417,033 S * 11/1999 Sachs et al. D28/7

D434,525 S * 11/2000 Angeletta D28/7
D445,954 S * 7/2001 Angeletta D28/7
D461,279 S * 8/2002 Angeletta D28/7
D470,315 S * 2/2003 Tapley et al. D4/138
6,616,364 B1 * 9/2003 Katz et al. 401/6
D481,167 S * 10/2003 Angeletta D28/7

* cited by examiner

Primary Examiner—Lucy Lieberman

(74) *Attorney, Agent, or Firm*—Scully, Scott, Murphy &
Presser

(57) **CLAIM**

The ornamental design for a liquid and lotion applicator
structure, as shown and described.

DESCRIPTION

FIG. 1 illustrates a side and bottom perspective view of an
embodiment of the liquid and lotion applicator structure
showing my new and ornamental design;

FIG. 2 illustrates an opposite side and top perspective view
thereof;

FIG. 3 illustrates a top plan view thereof;

FIG. 4 illustrates a side view, the opposite side being a
mirror image thereof;

FIG. 5 illustrates a bottom plan view thereof;

FIG. 6 illustrates a side and bottom perspective view of a
further embodiment thereof;

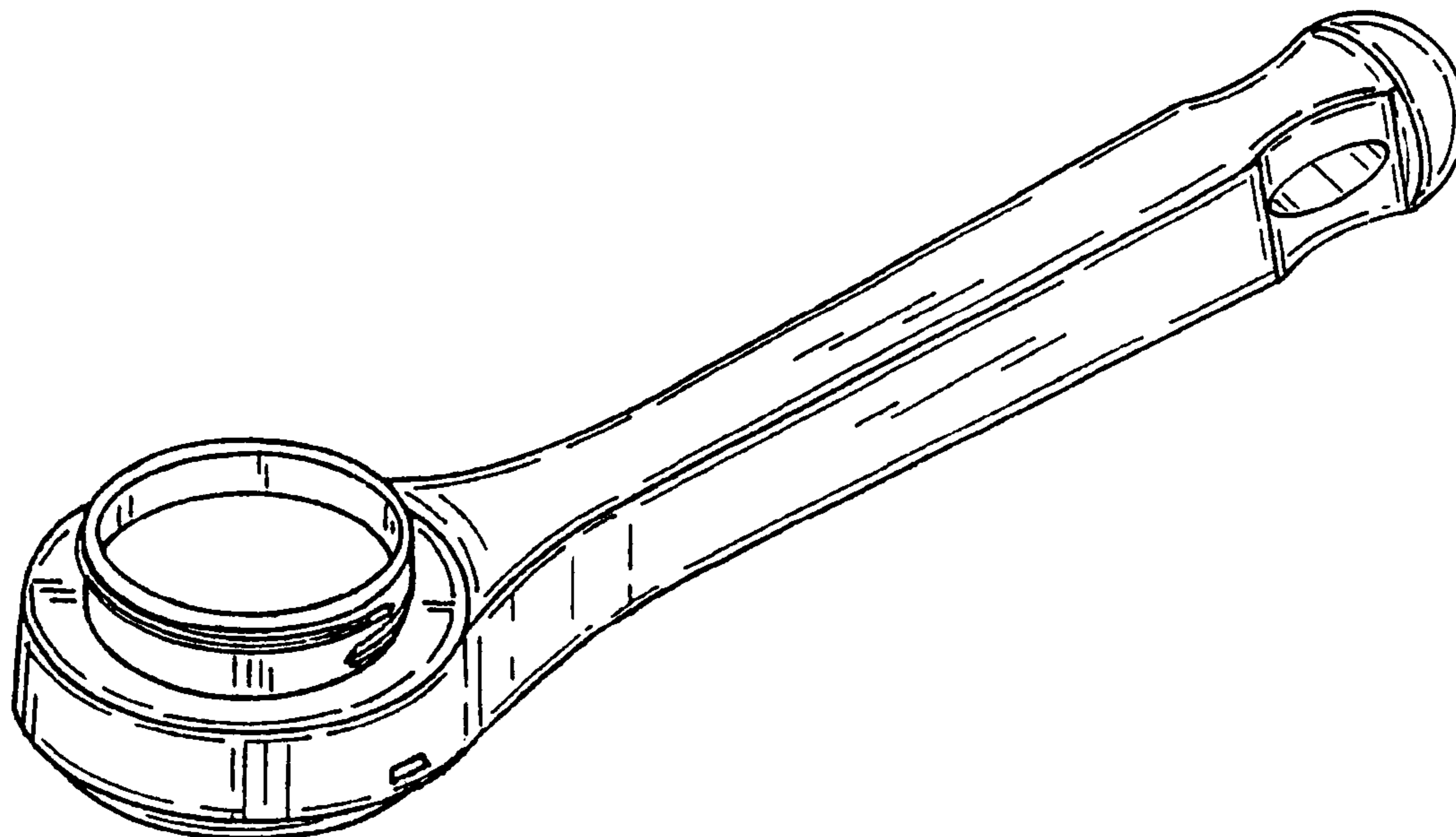
FIG. 7 illustrates an opposite side and top perspective view
thereof;

FIG. 8 illustrates a top plan view thereof;

FIG. 9 illustrates a side view, the opposite side being a
mirror image thereof; and,

FIG. 10 illustrates a bottom plan view thereof.

1 Claim, 2 Drawing Sheets



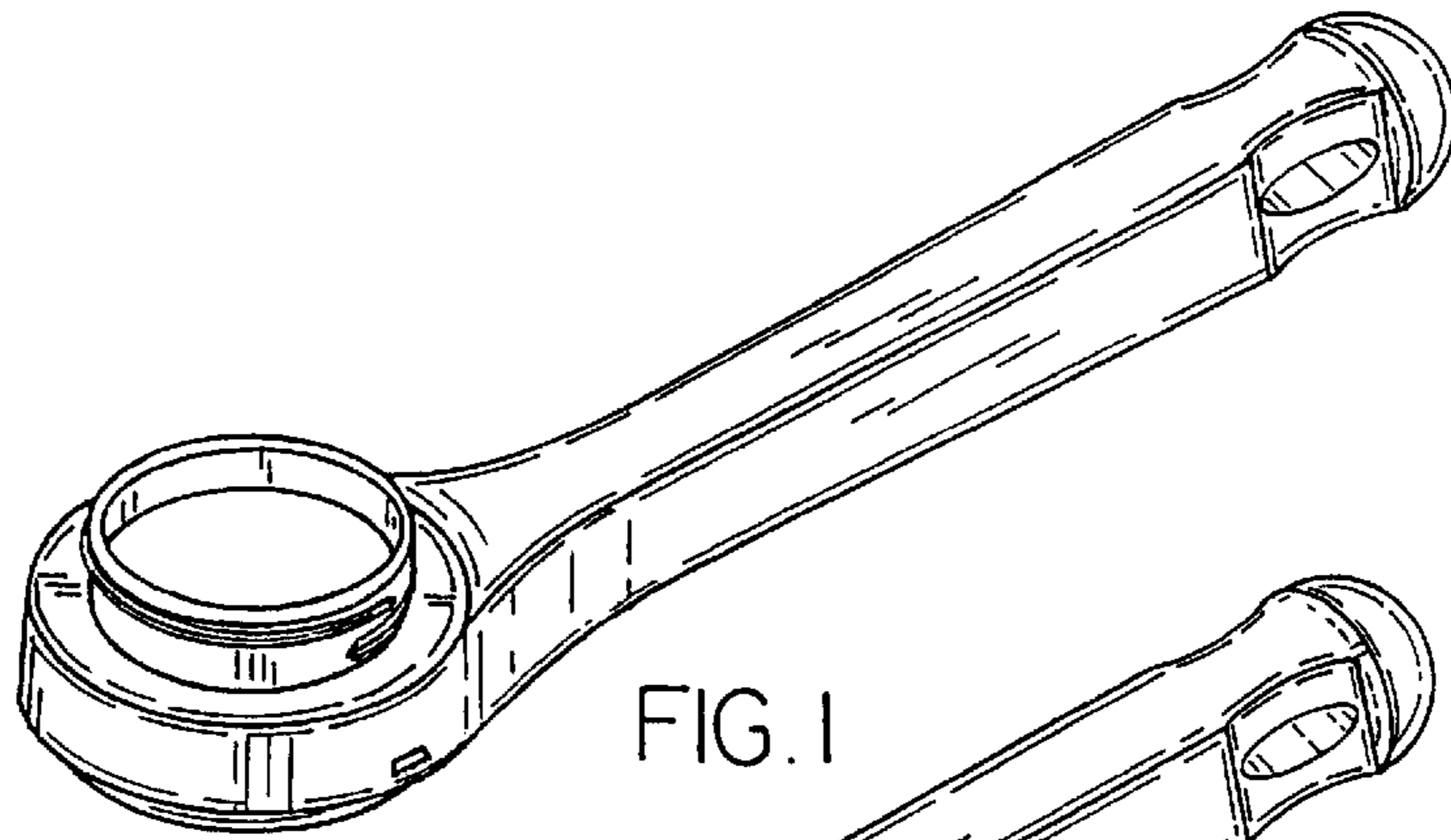


FIG. 1

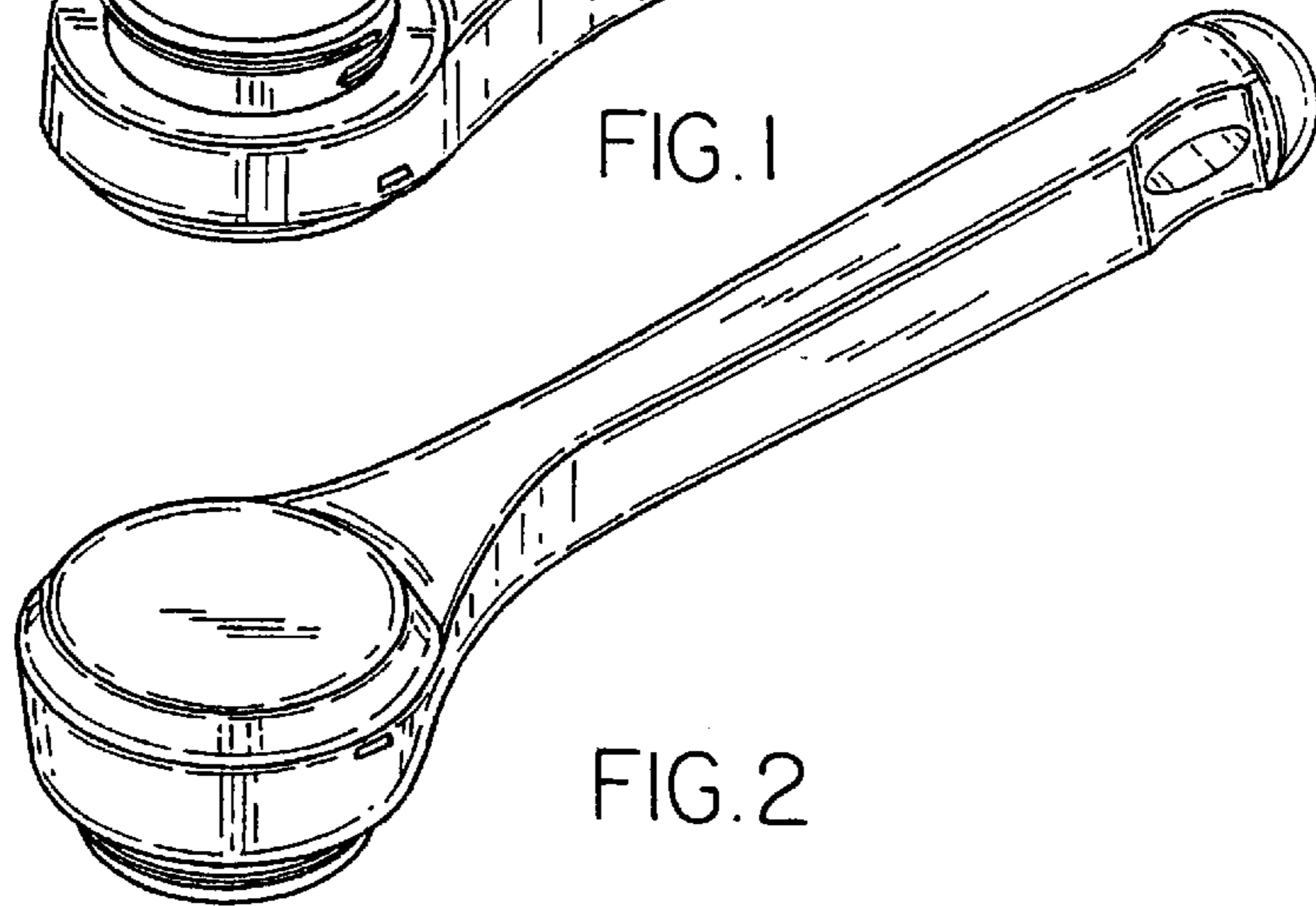


FIG. 2

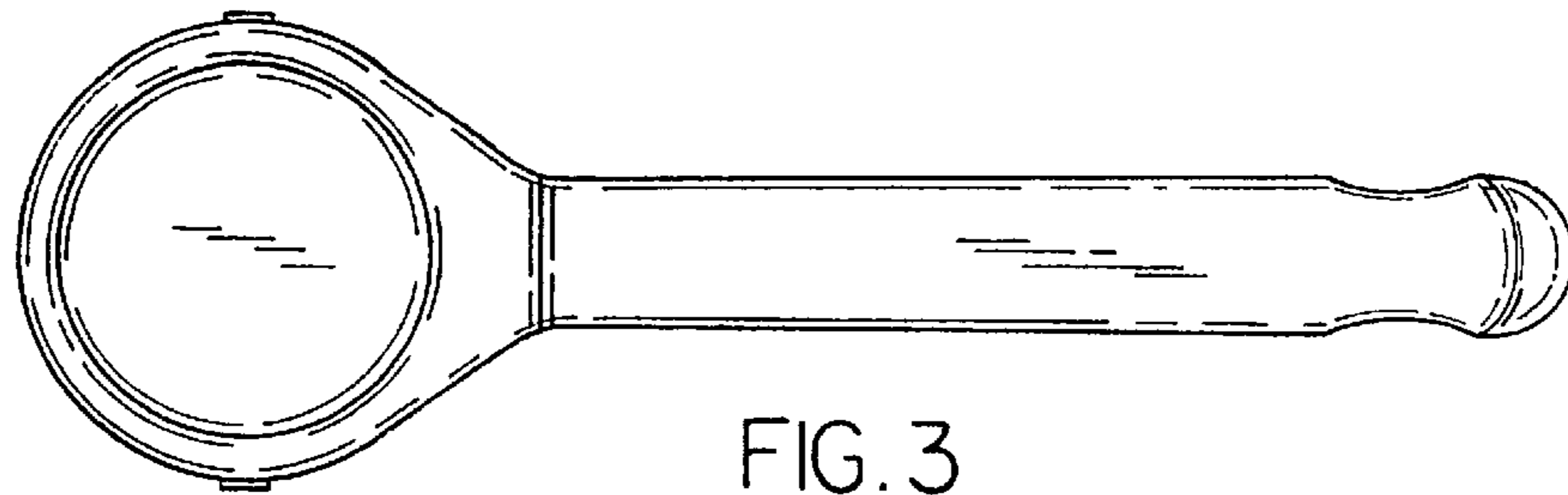


FIG. 3

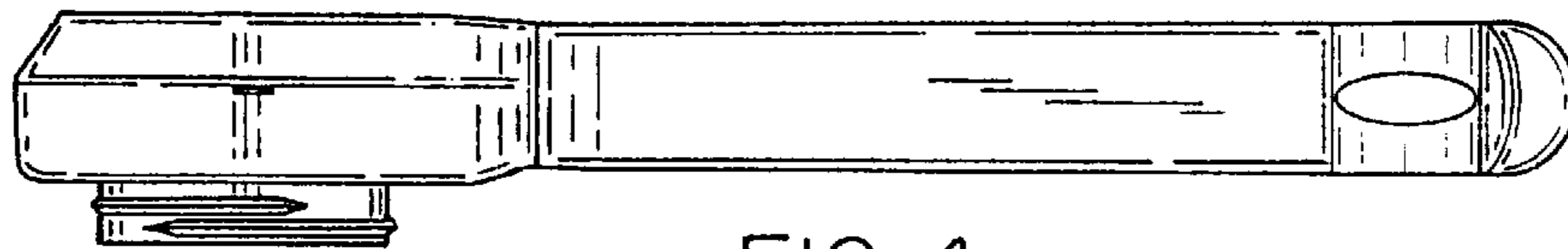


FIG. 4

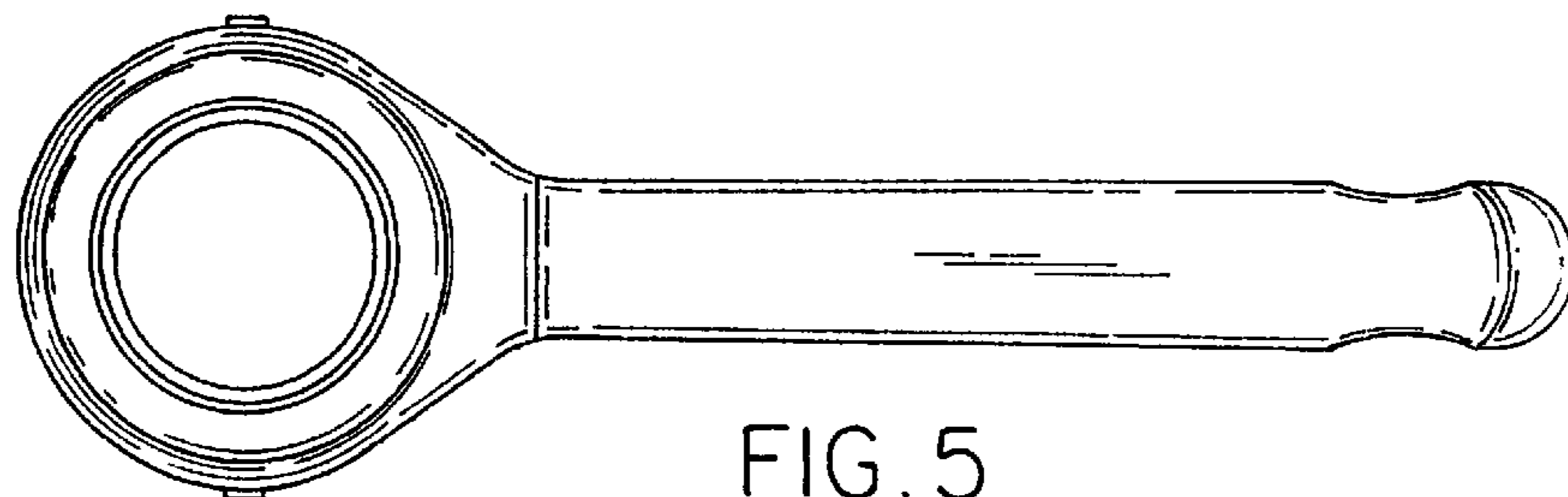


FIG. 5

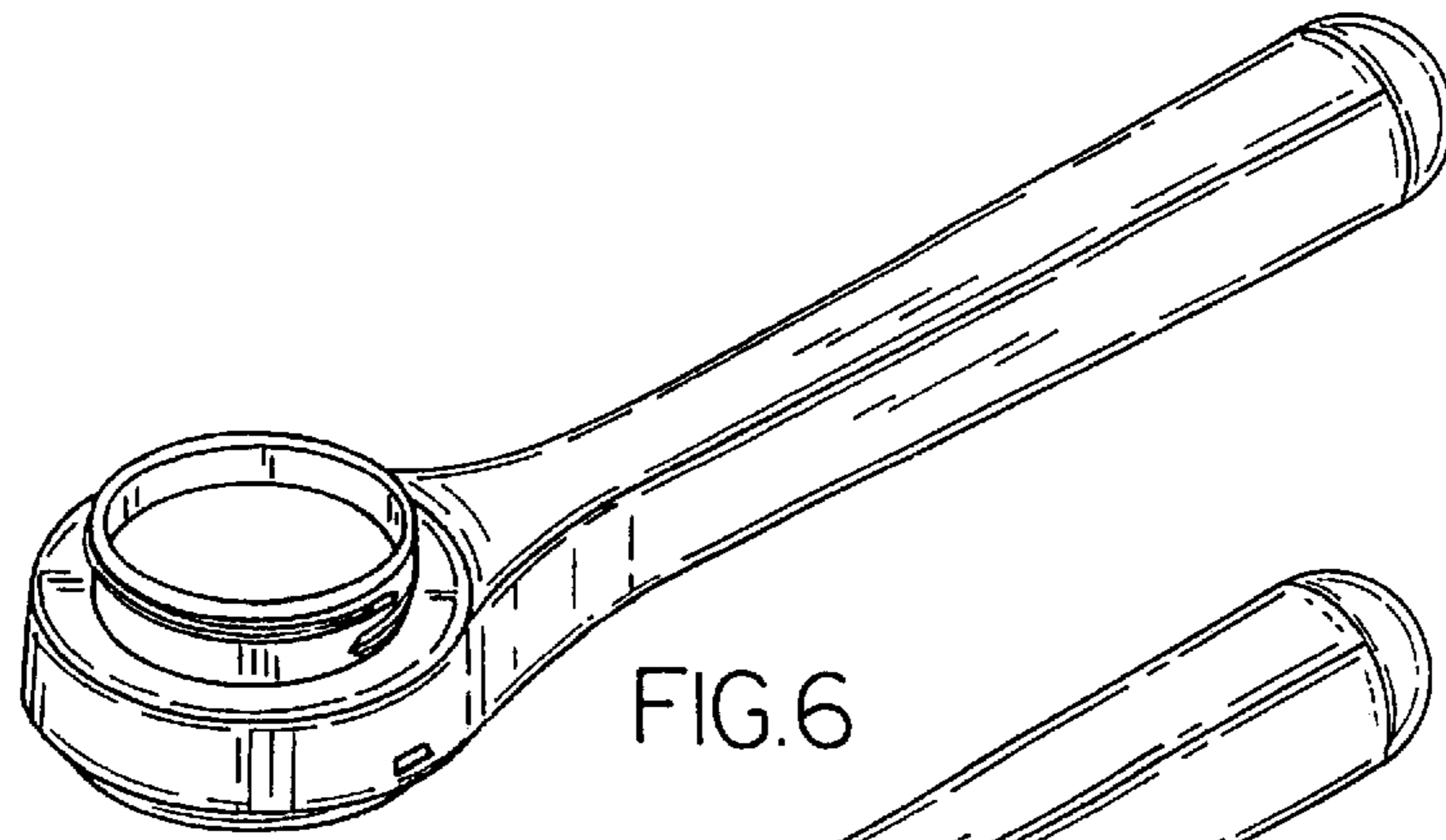


FIG. 6

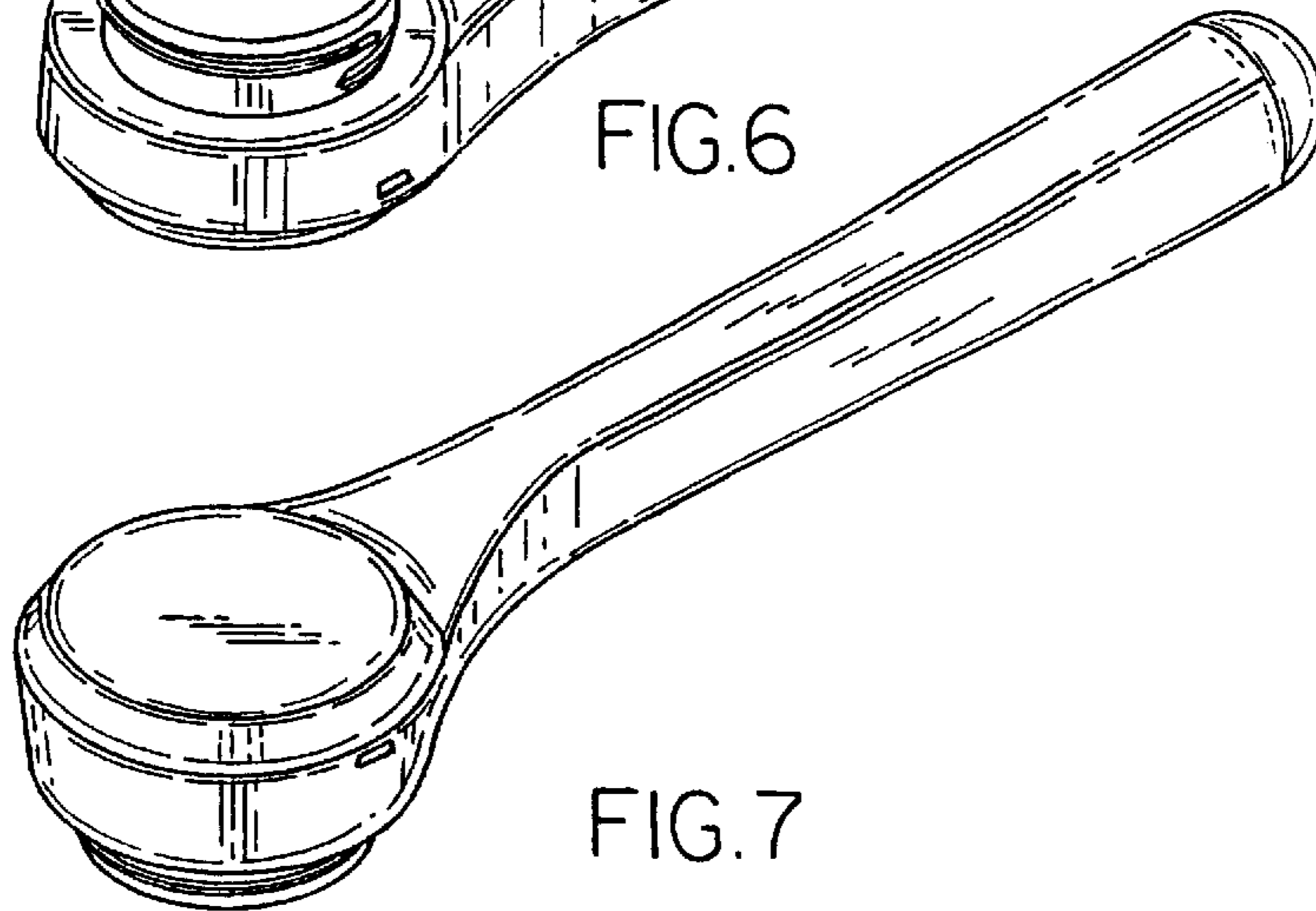


FIG. 7

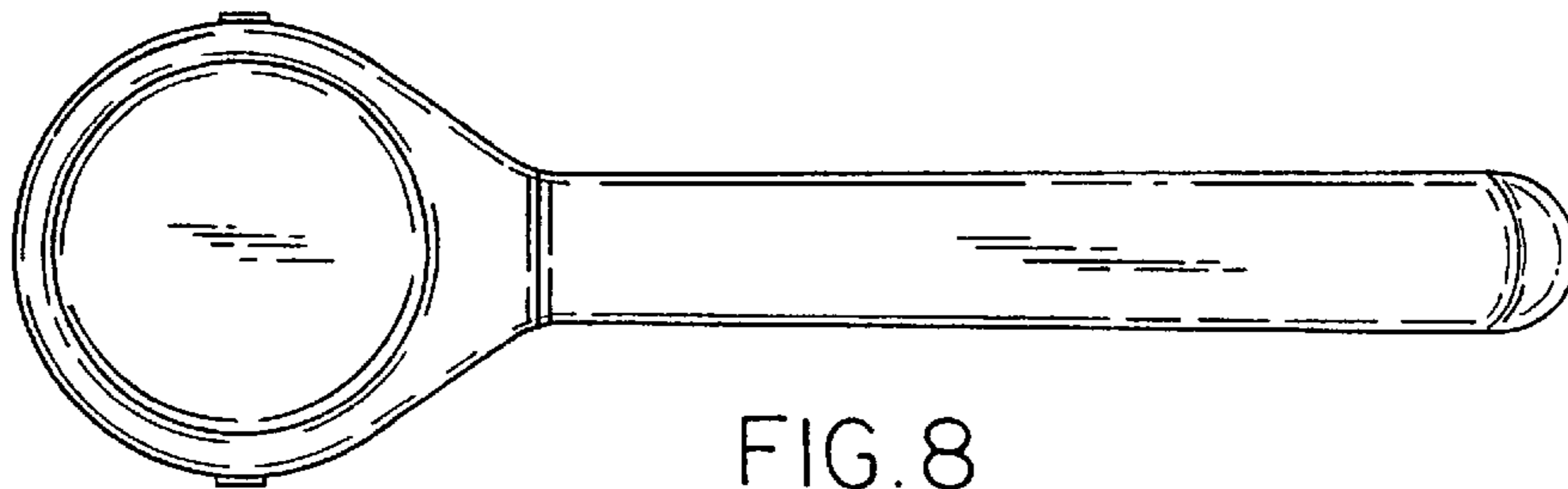


FIG. 8

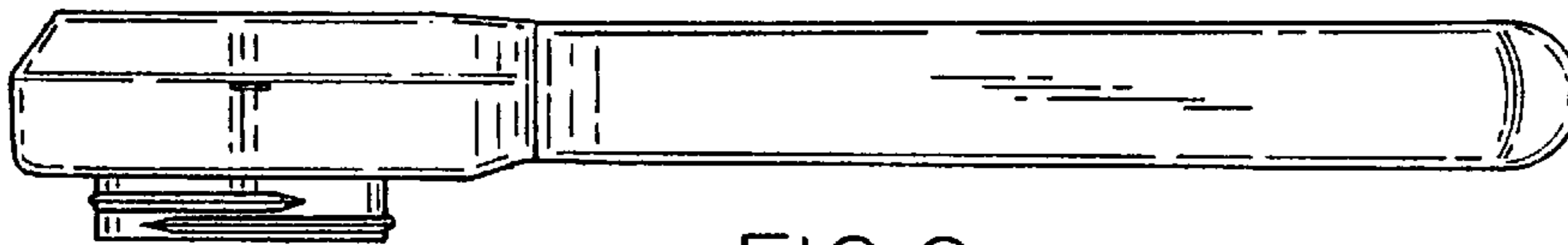


FIG. 9

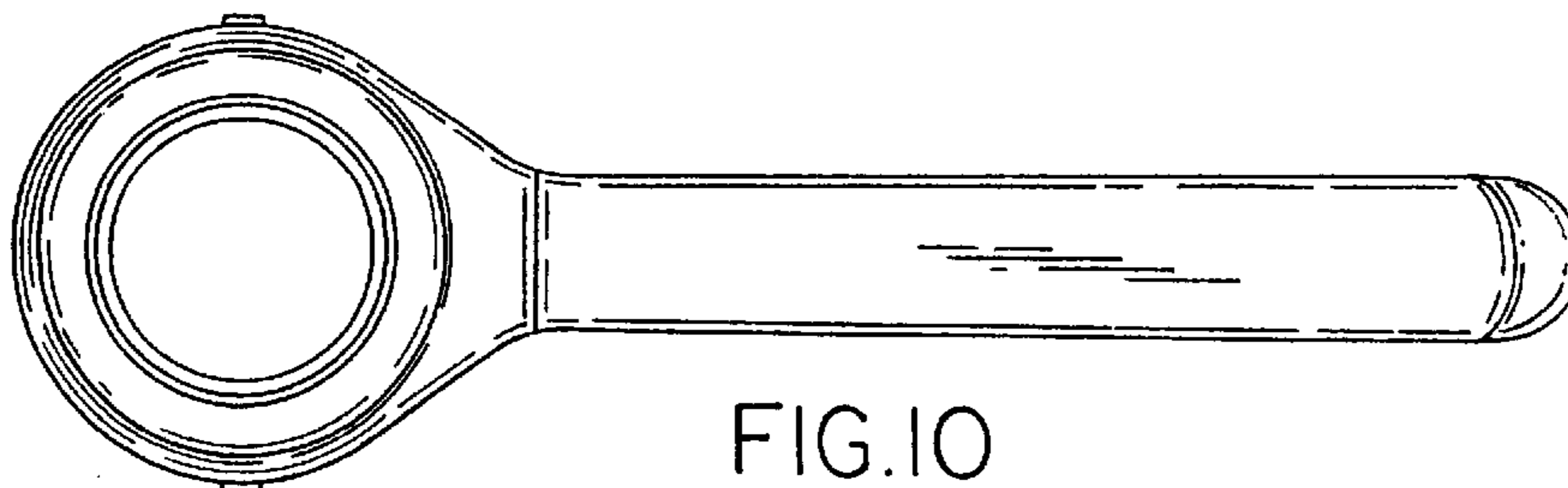


FIG. 10