

US00D518912S

(12) **United States Design Patent**
Burke

(10) **Patent No.:** **US D518,912 S**

(45) **Date of Patent:** **** Apr. 11, 2006**

(54) **COMBINED FROSTED AND CLEAR SEEDY SHADE OUTDOOR LANTERN**

(75) Inventor: **John Burke**, Abington, MA (US)

(73) Assignee: **Cordelia Lighting Inc.**, Rancho Dominguez, CA (US)

(**) Term: **14 Years**

(21) Appl. No.: **29/224,305**

(22) Filed: **Feb. 28, 2005**

(51) **LOC (8) Cl.** **26-03**

(52) **U.S. Cl.** **D26/87; D26/67**

(58) **Field of Classification Search** D26/72,
D26/73, 85, 87, 92, 118, 128–130, 137, 145–147,
D26/155, 156; 362/147, 362, 370, 371, 431,
362/432

See application file for complete search history.

(56) **References Cited**

U.S. PATENT DOCUMENTS

D63,053 S	*	9/1923	Klein	D26/85
D63,164 S	*	10/1923	Ohm	D26/67
D67,423 S	*	5/1925	Walker	D26/87
D73,386 S	*	8/1927	Lipschutz	D26/87
D73,931 S	*	11/1927	Lindsay	D26/91
D101,041 S	*	9/1936	Janssen	D26/87
D371,622 S	*	7/1996	Hsu	D26/87
D438,324 S	*	2/2001	Pham	D26/72

OTHER PUBLICATIONS

Framburg 2001 Catalog. (2 PAGES) p. 162—items 8490, 8495 and 8498. p. 170—items 8920 and 8930.*

Kichler Lighting 2004 Catalog—item 9294 LZ on p. 310.*

* cited by examiner

Primary Examiner—Clare E Heflin

(74) *Attorney, Agent, or Firm*—Paul Y. Feng; Fulwider Patton LLP

(57) **CLAIM**

The ornamental design for a combined frosted and clear seedy shade outdoor lantern, as shown and described.

DESCRIPTION

FIG. 1 is a perspective view of a first embodiment of my combined frosted and clear seedy shade outdoor lantern showing my new design;

FIG. 2 is a front elevational view of the first embodiment;

FIG. 3 is a rear elevational view;

FIG. 4 is a right side elevational view wherein the left side elevational view is a mirror image thereof;

FIG. 5 is a top plan view;

FIG. 6 is a bottom view;

FIG. 7 is a front perspective view of a second embodiment of my combined frosted and clear seedy shade outdoor lantern;

FIG. 8 is a front elevational view of the second embodiment;

FIG. 9 is a rear elevational view;

FIG. 10 is a right side elevational view wherein the left side elevational view is a mirror image thereof;

FIG. 11 is a top plan view;

FIG. 12 is a bottom view;

FIG. 13 is a front perspective view of a third embodiment of my combined frosted and clear seedy shade outdoor lantern;

FIG. 14 is a front elevational view of the second embodiment;

FIG. 15 is a rear elevational view;

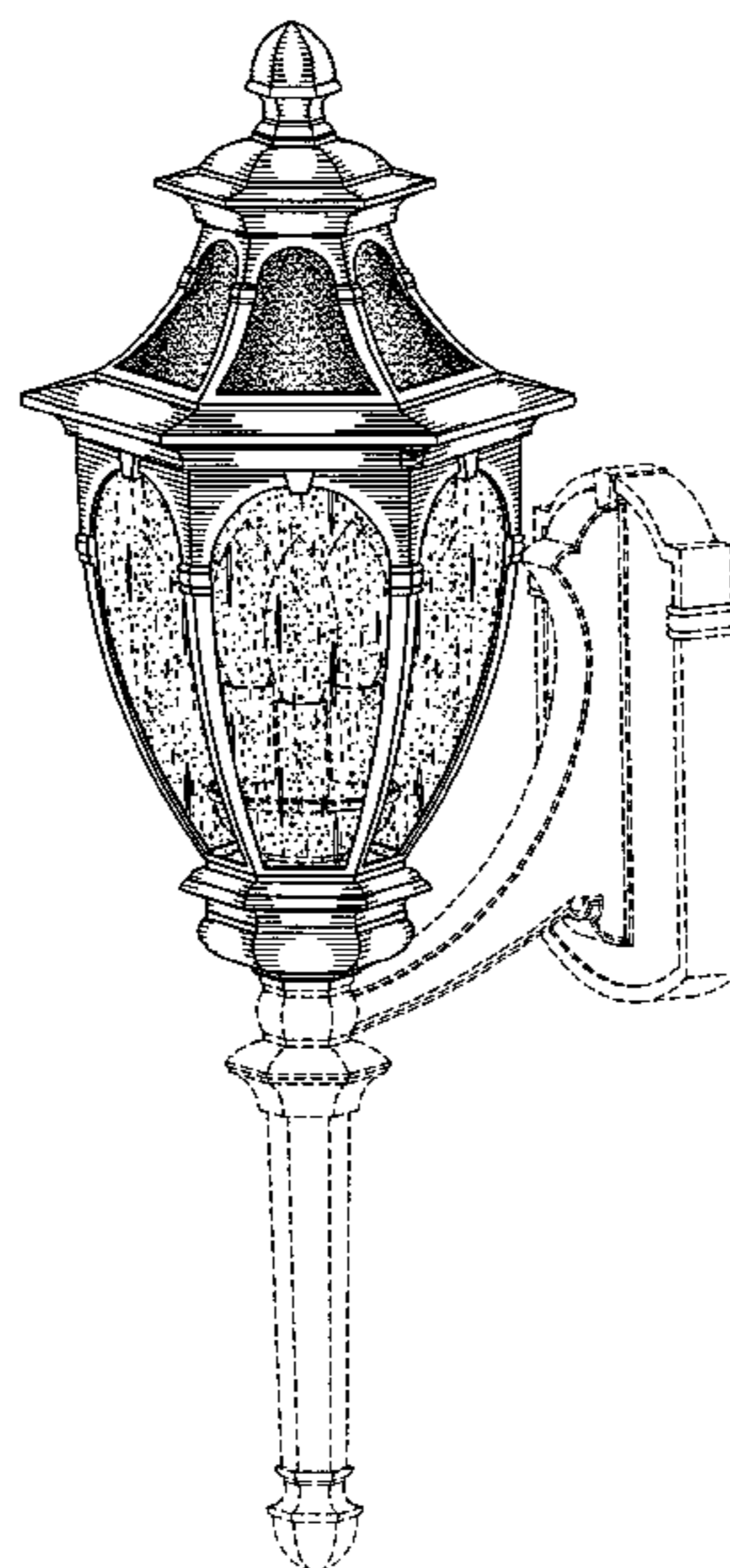
FIG. 16 is a right side elevational view wherein the left side elevational view is a mirror image thereof;

FIG. 17 is a top plan view; and,

FIG. 18 is a bottom view.

The broken lines shown on the drawings are for illustrative purposes only and form no part of the claimed design.

1 Claim, 18 Drawing Sheets



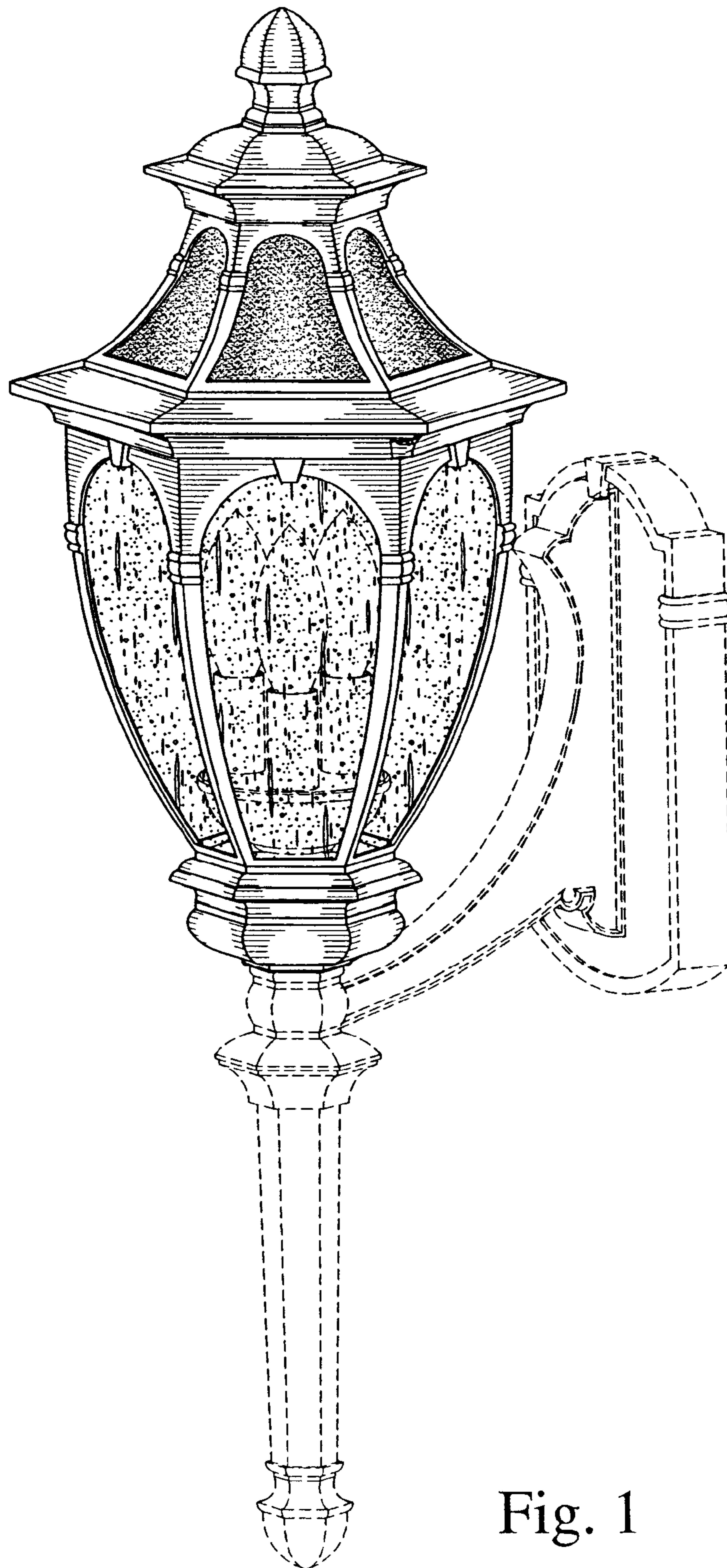


Fig. 1

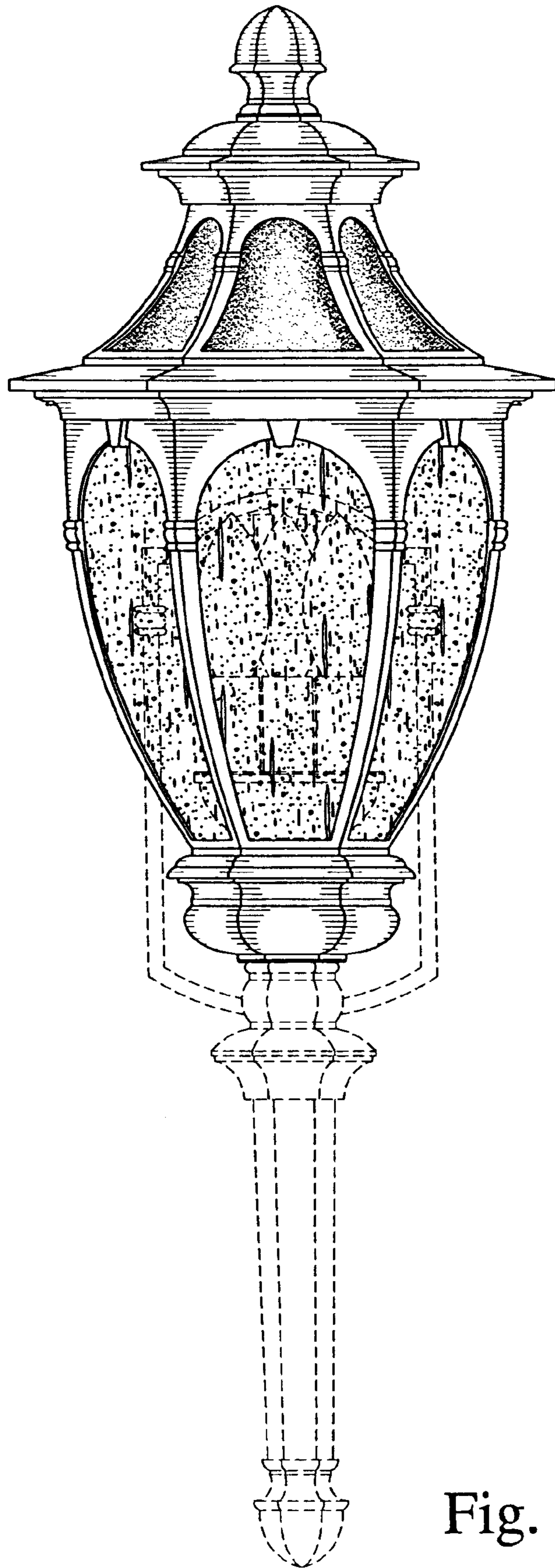


Fig. 2

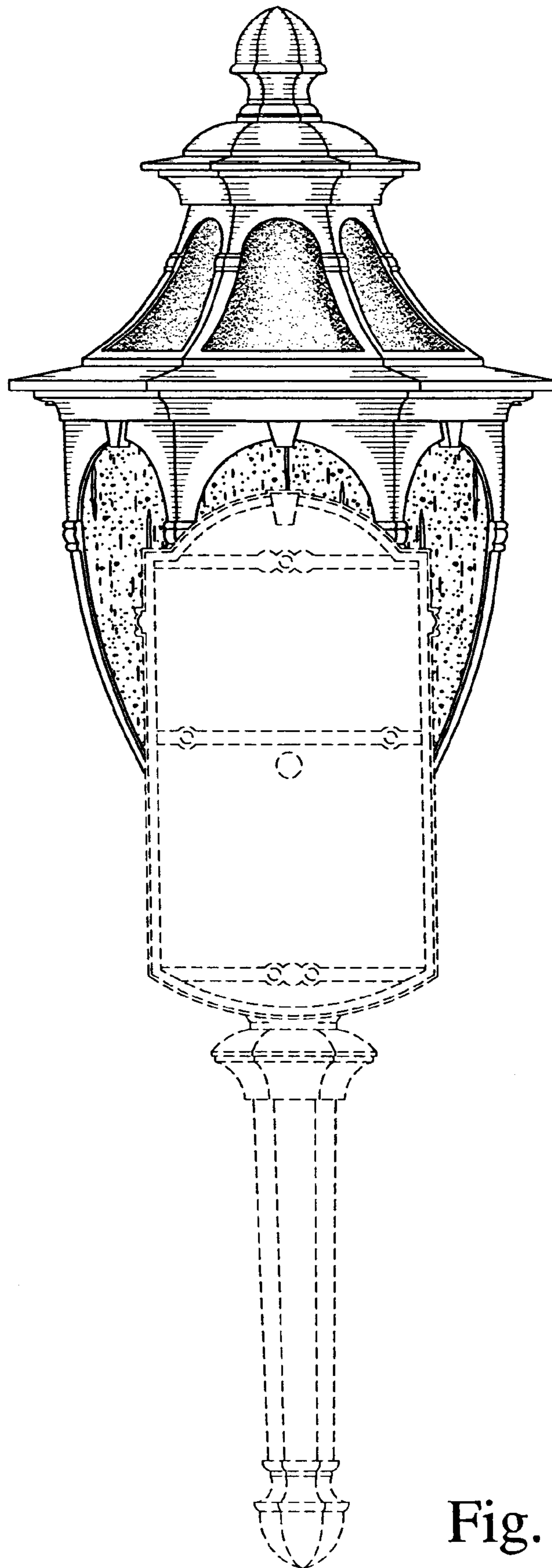


Fig. 3

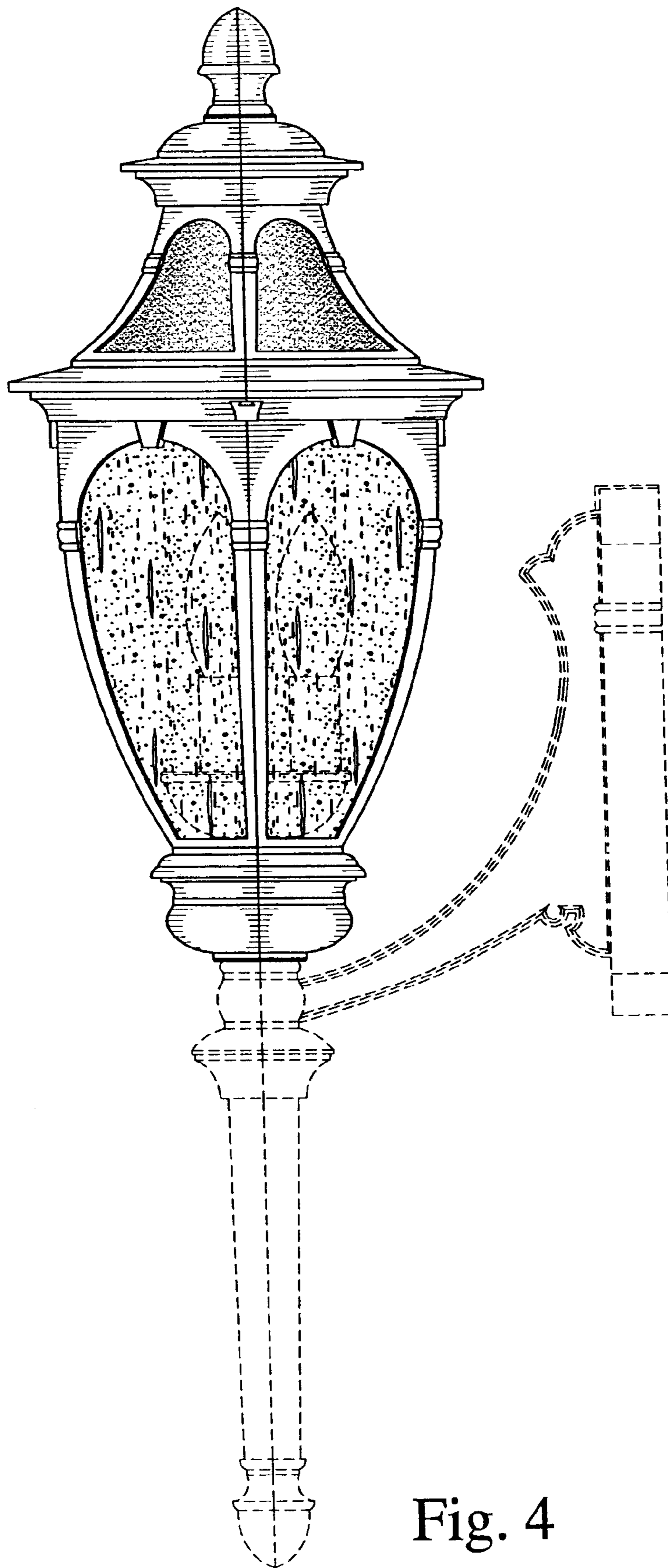


Fig. 4

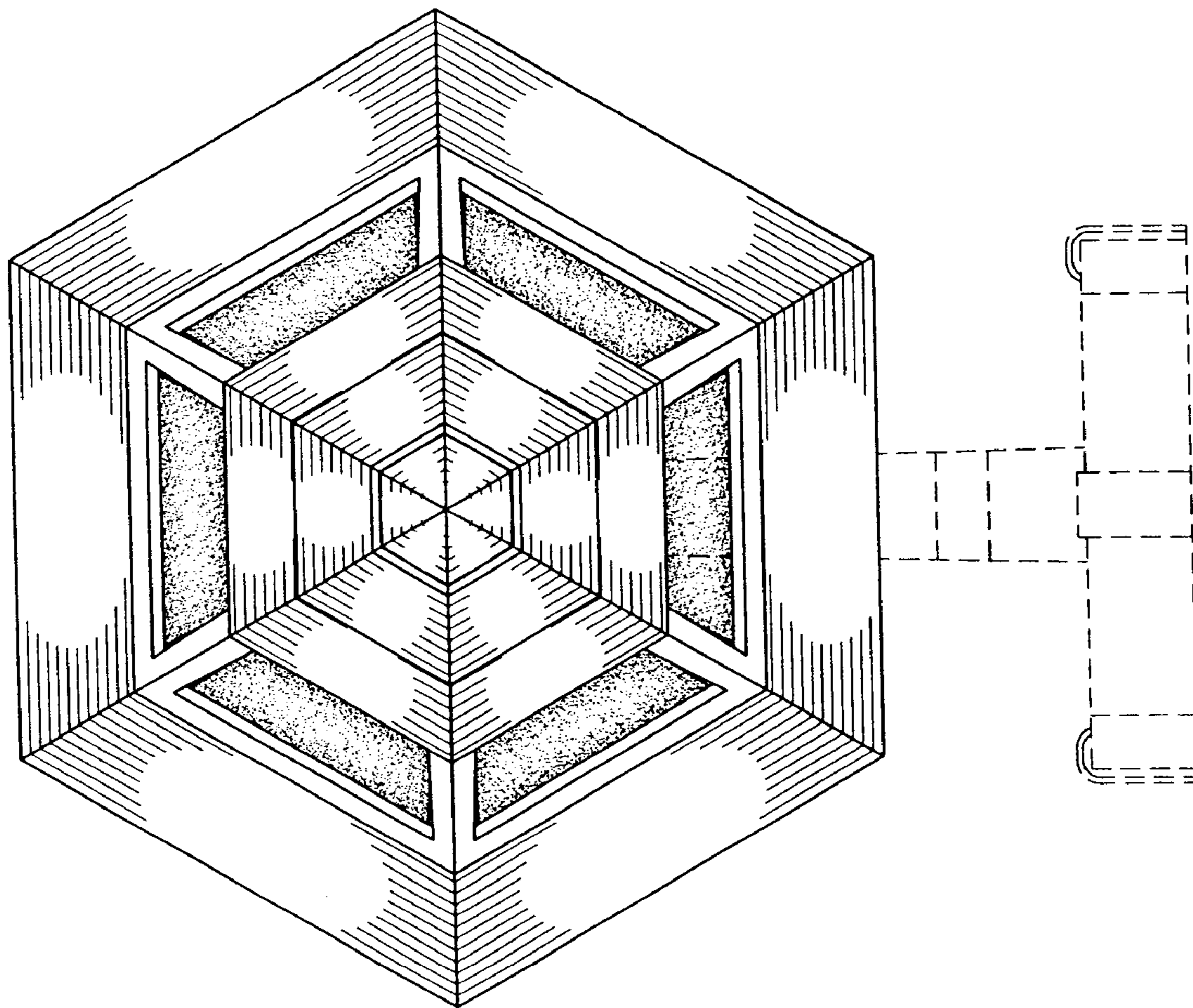


Fig. 5

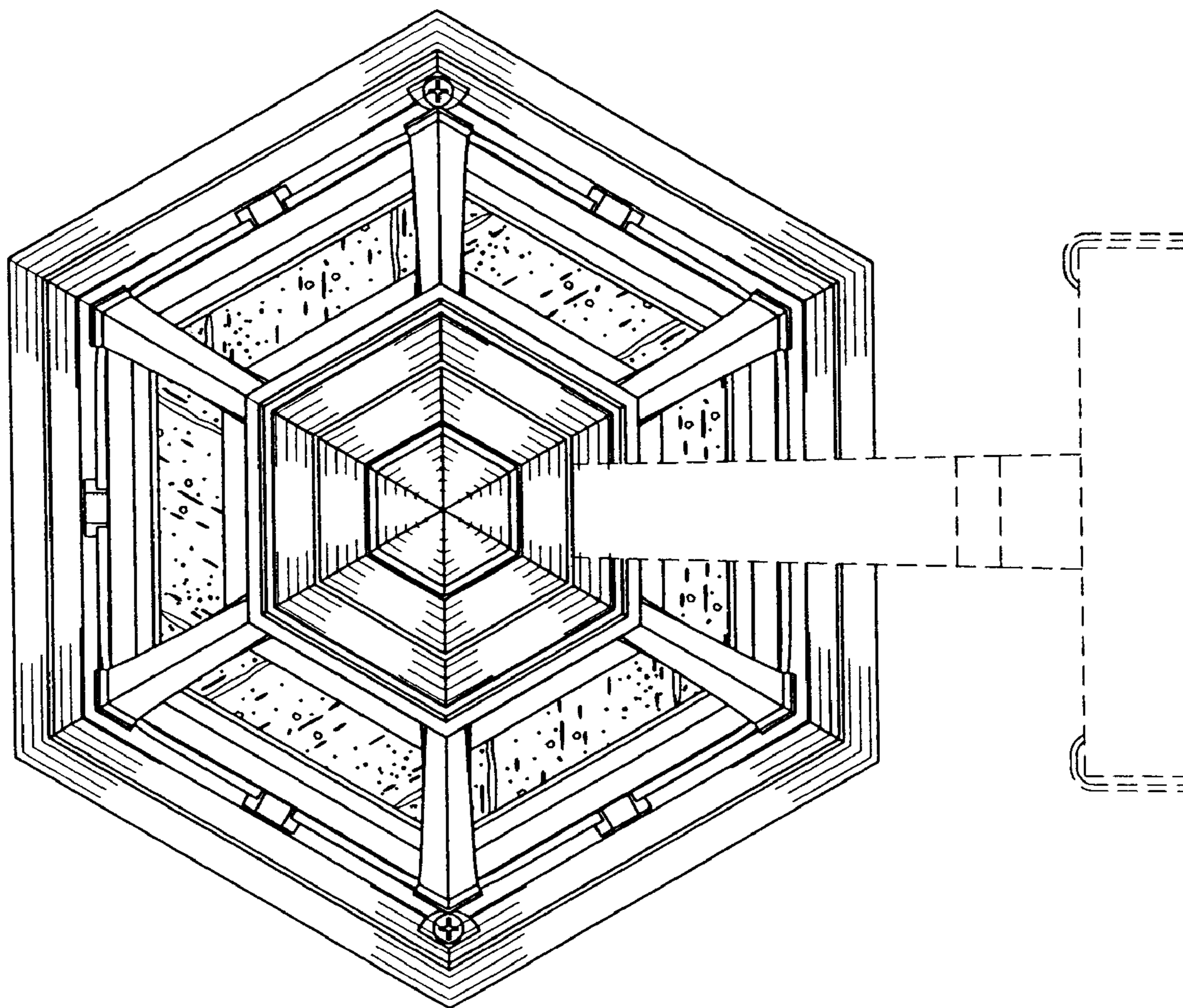


Fig. 6

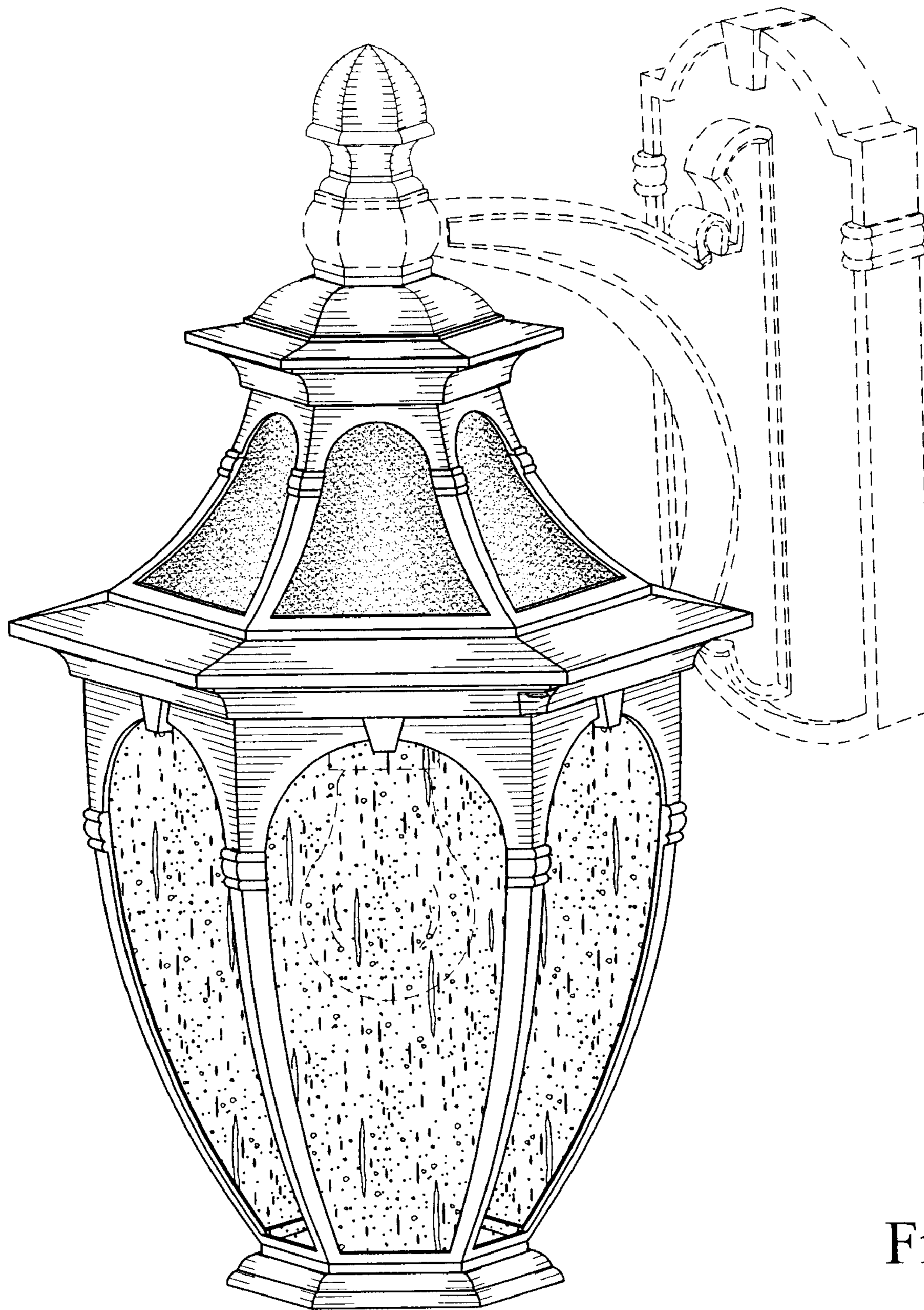


Fig. 7

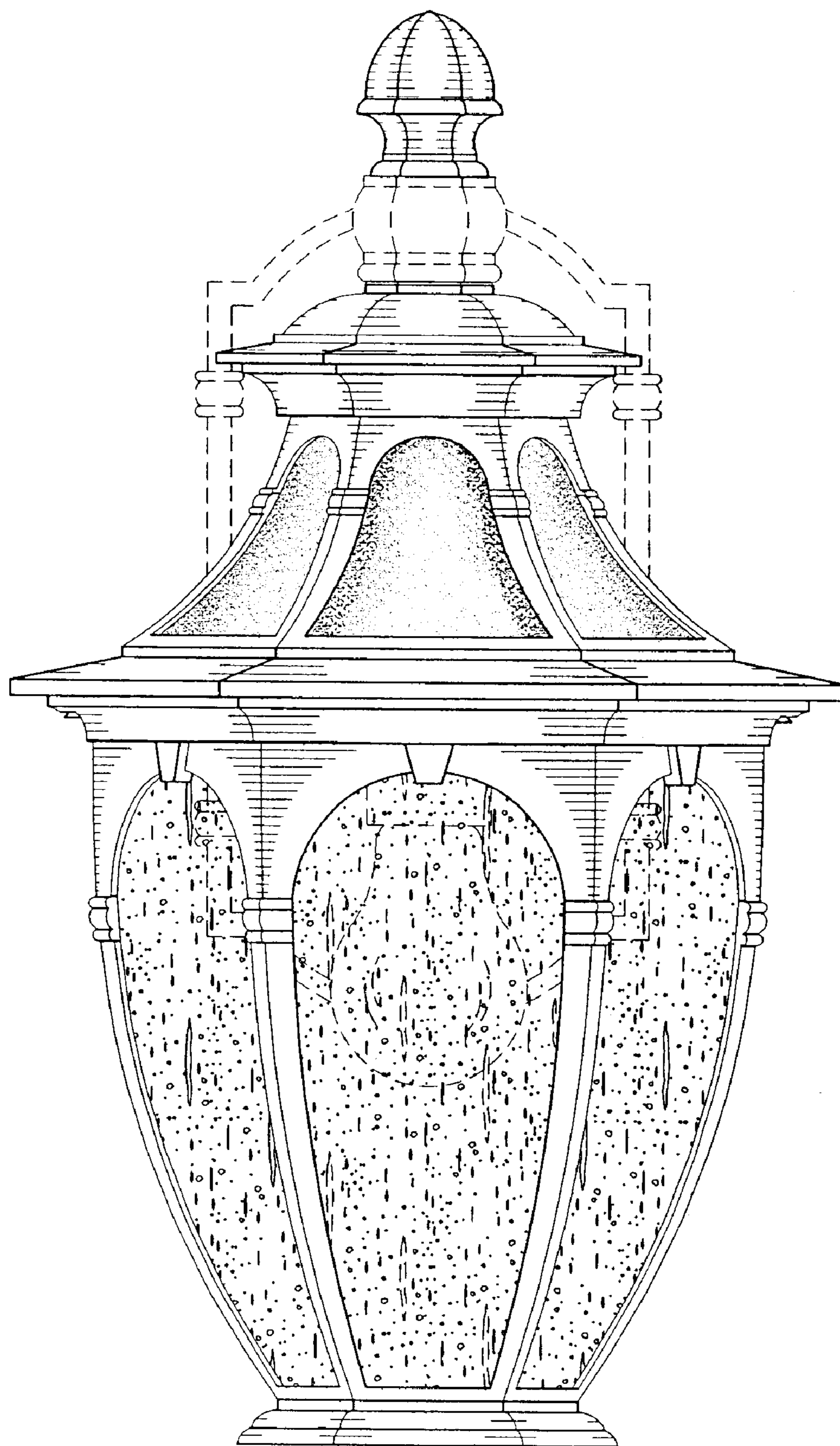


Fig. 8

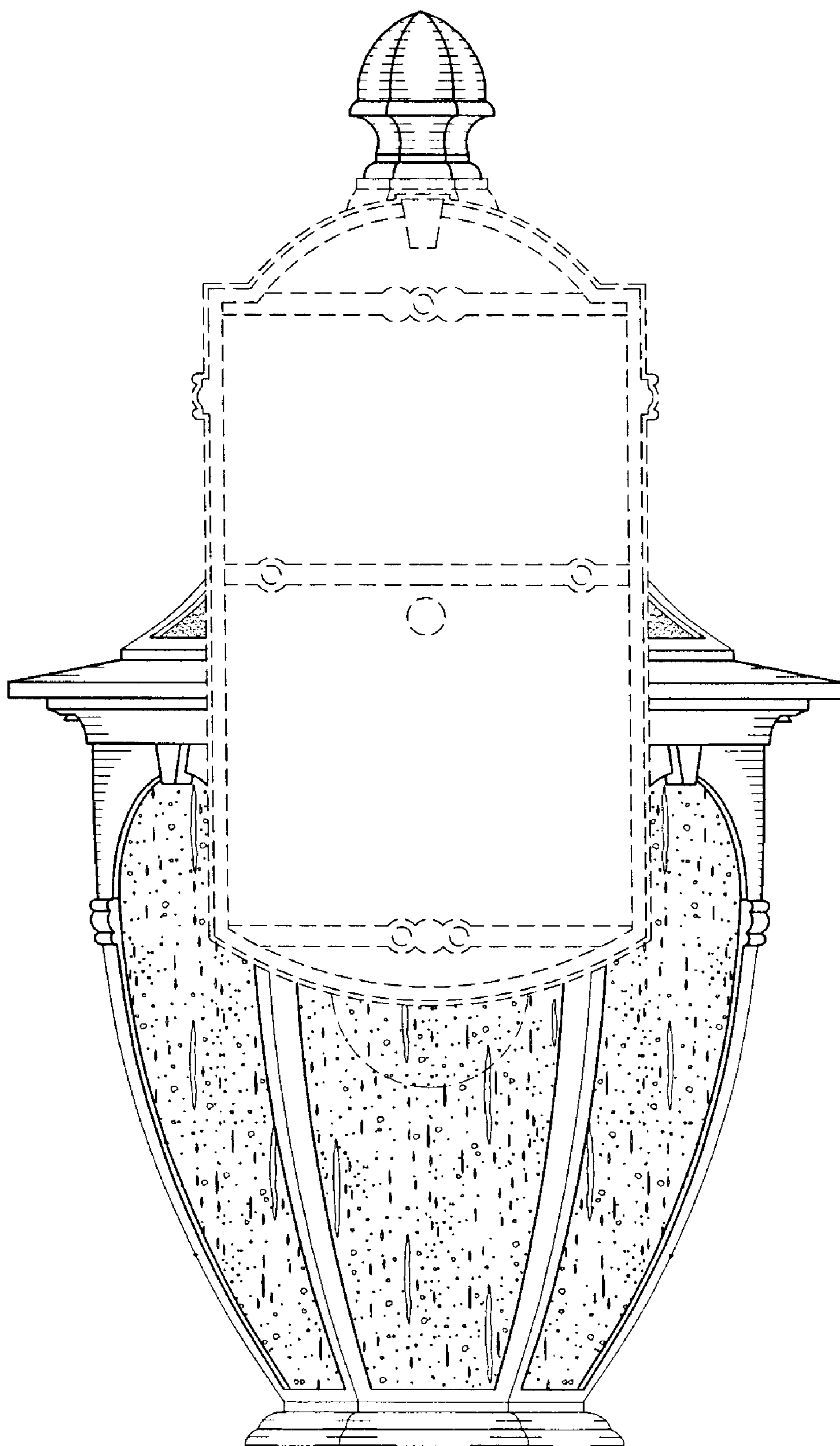


Fig. 9

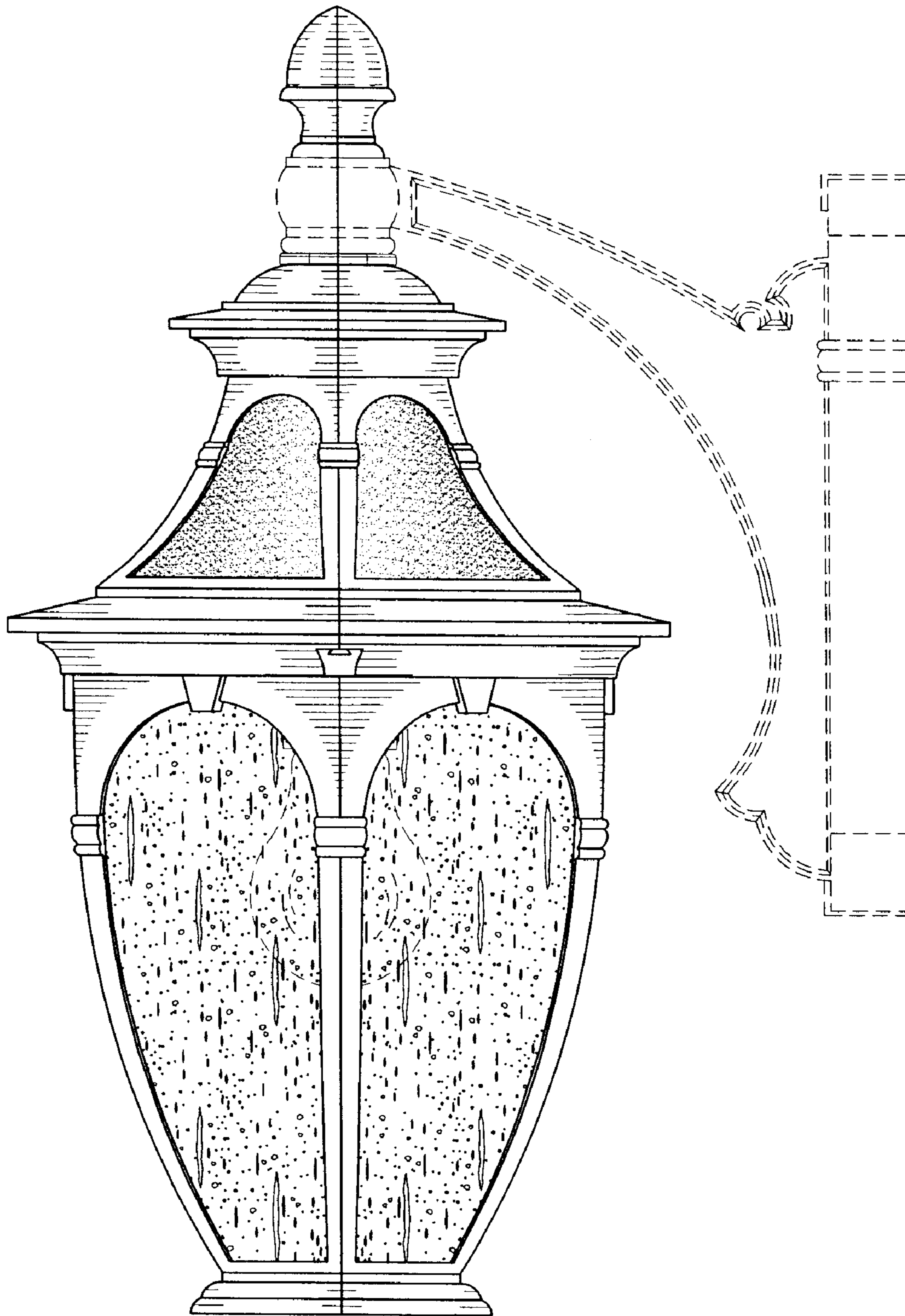


Fig. 10

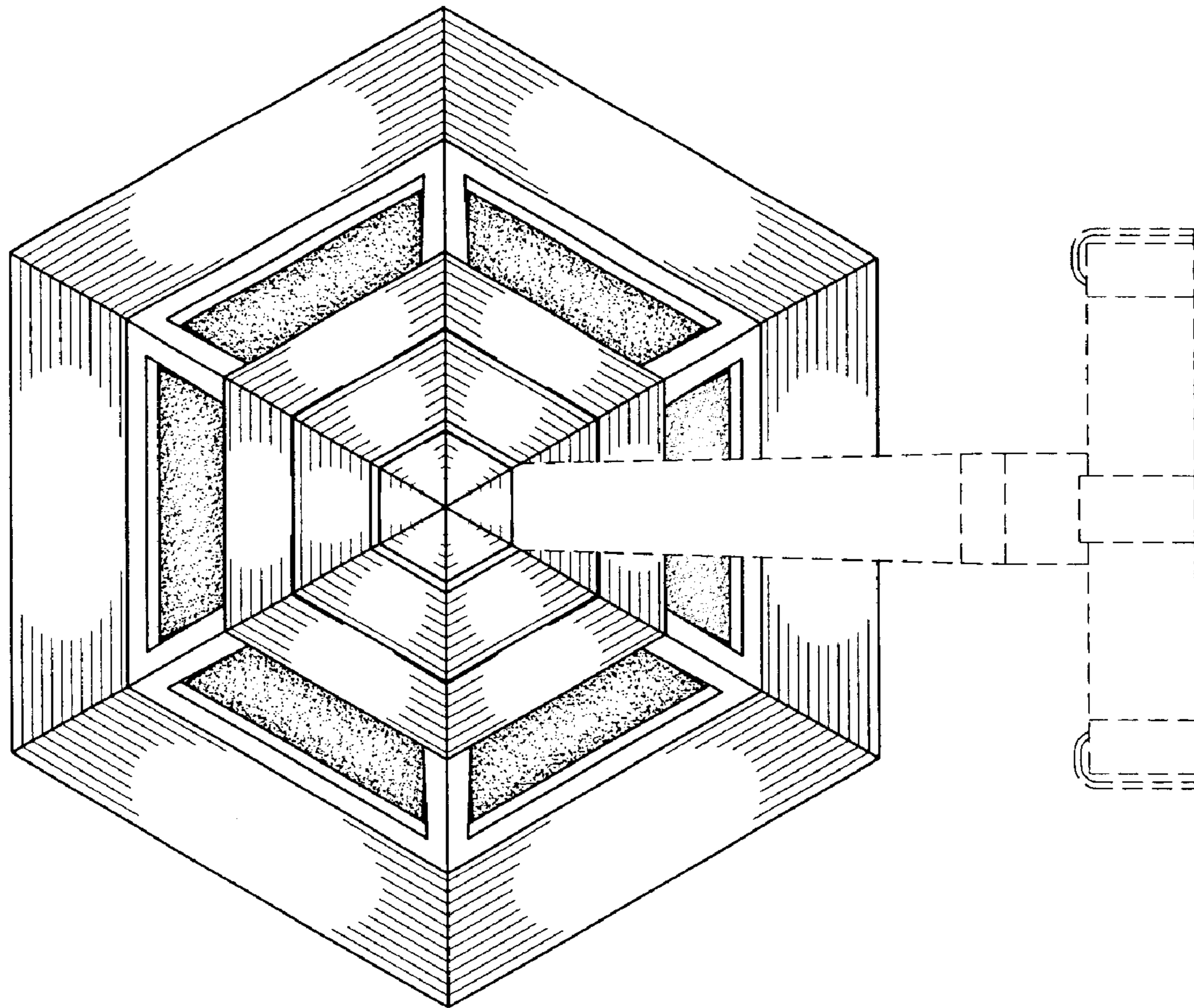


Fig. 11

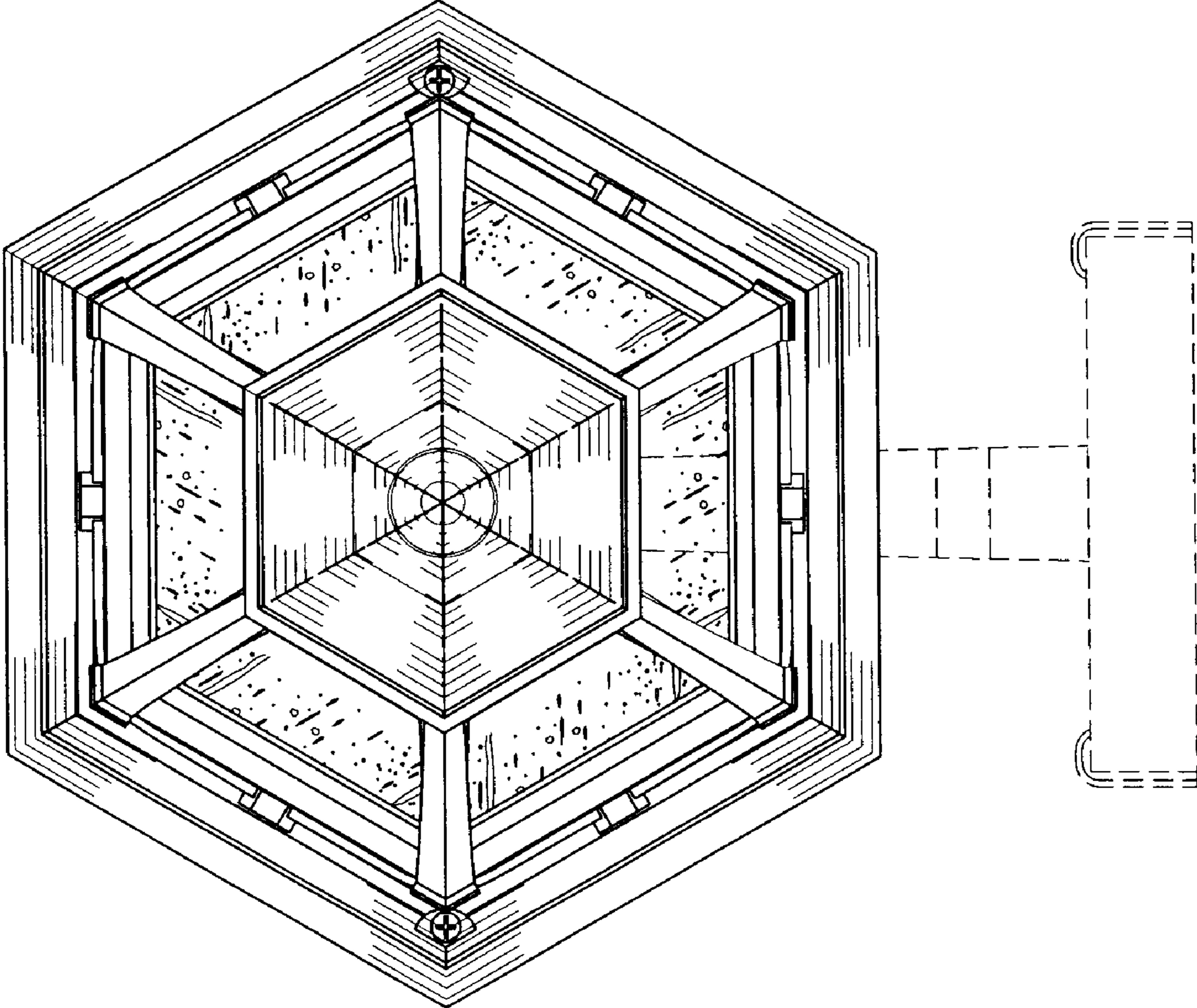


Fig. 12

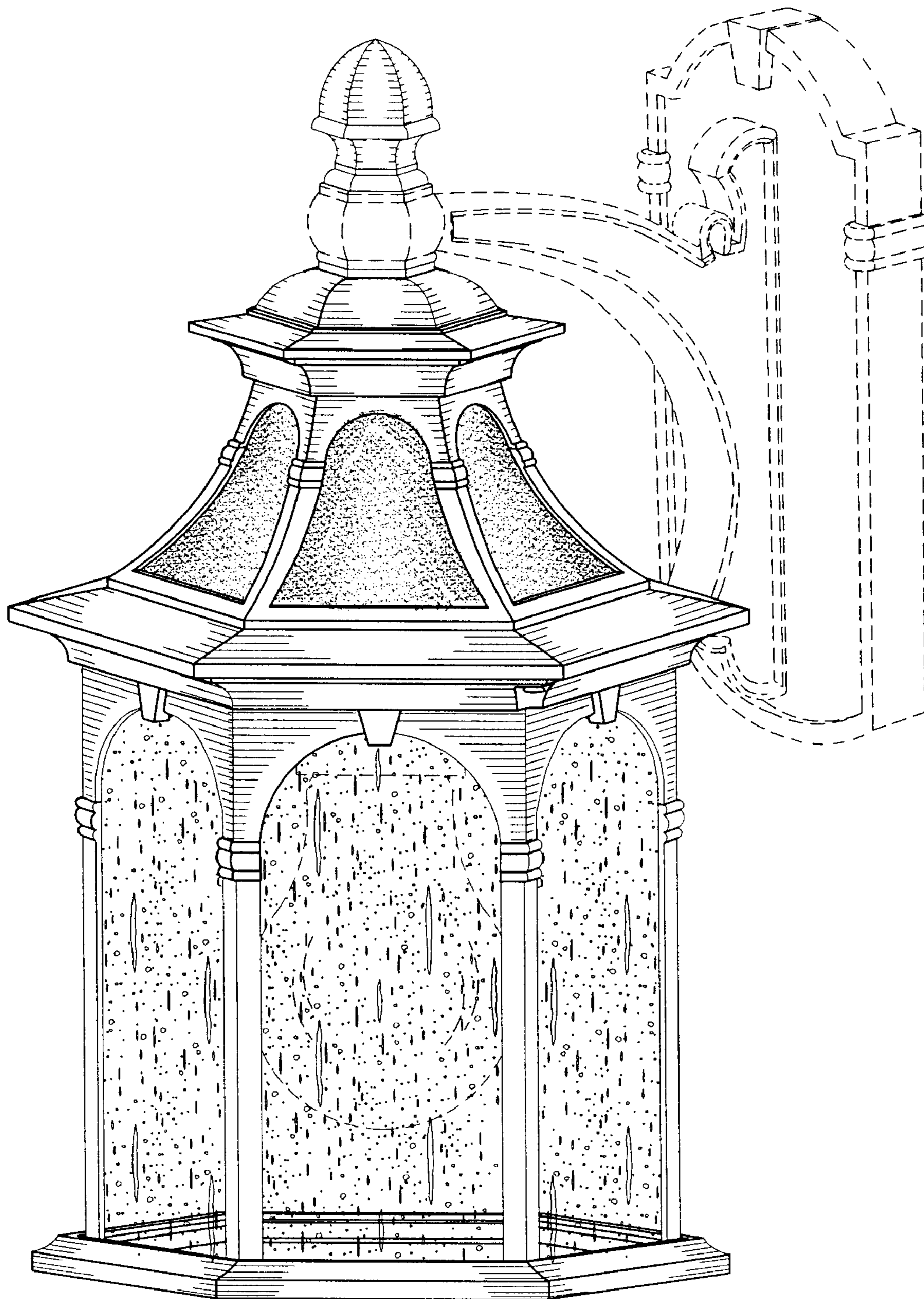


Fig. 13

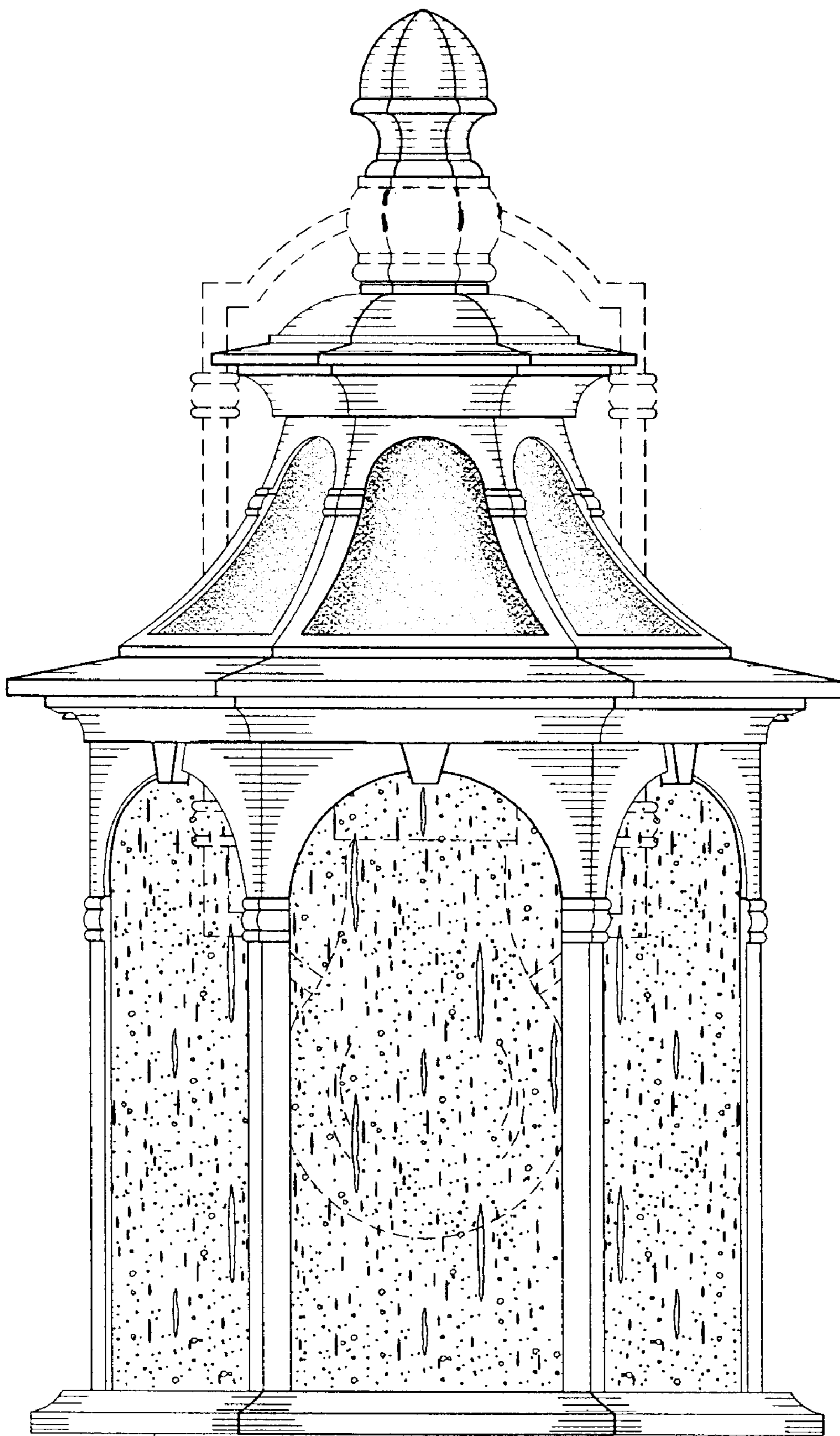


Fig. 14

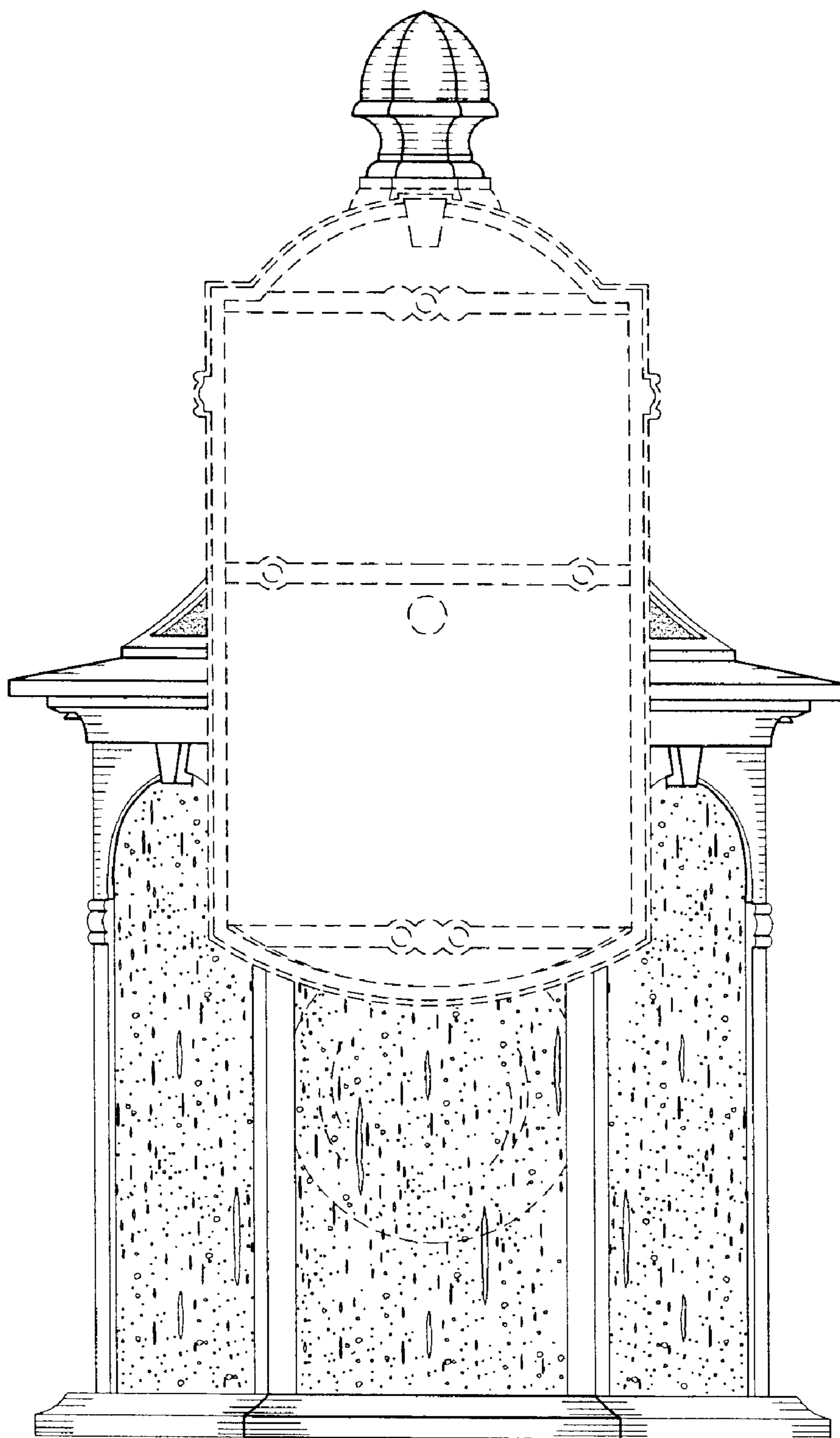


Fig. 15

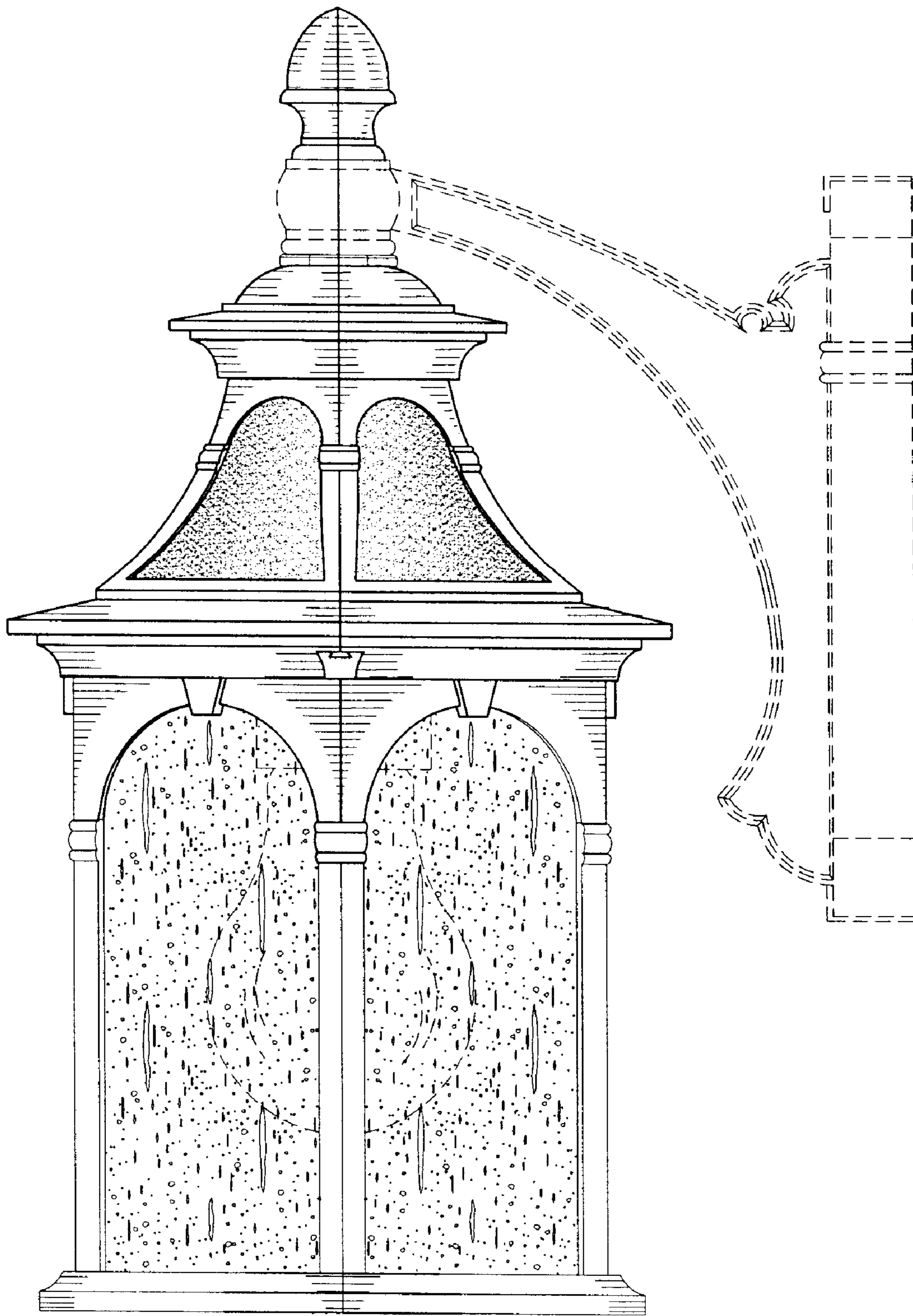


Fig. 16

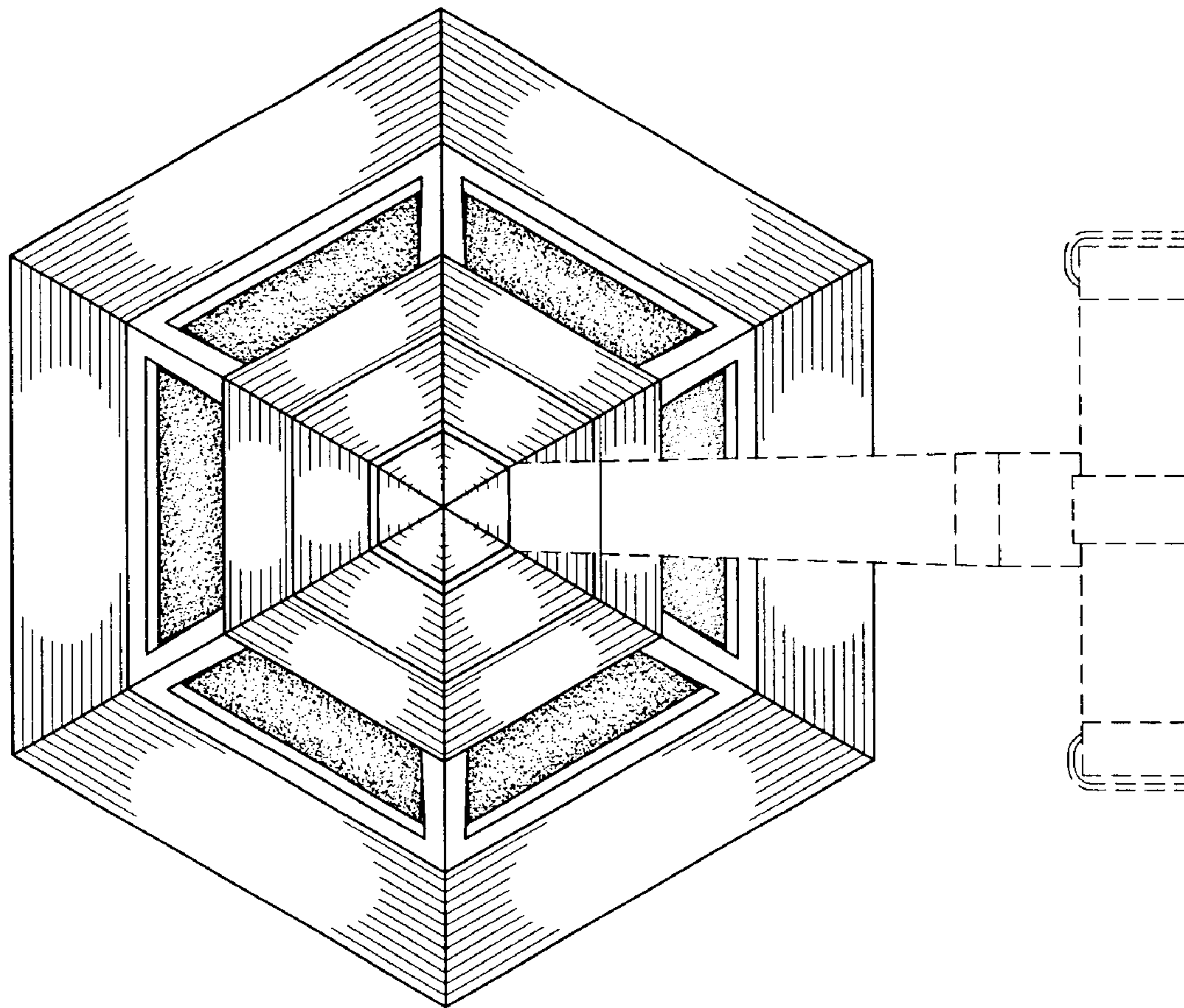


Fig. 17

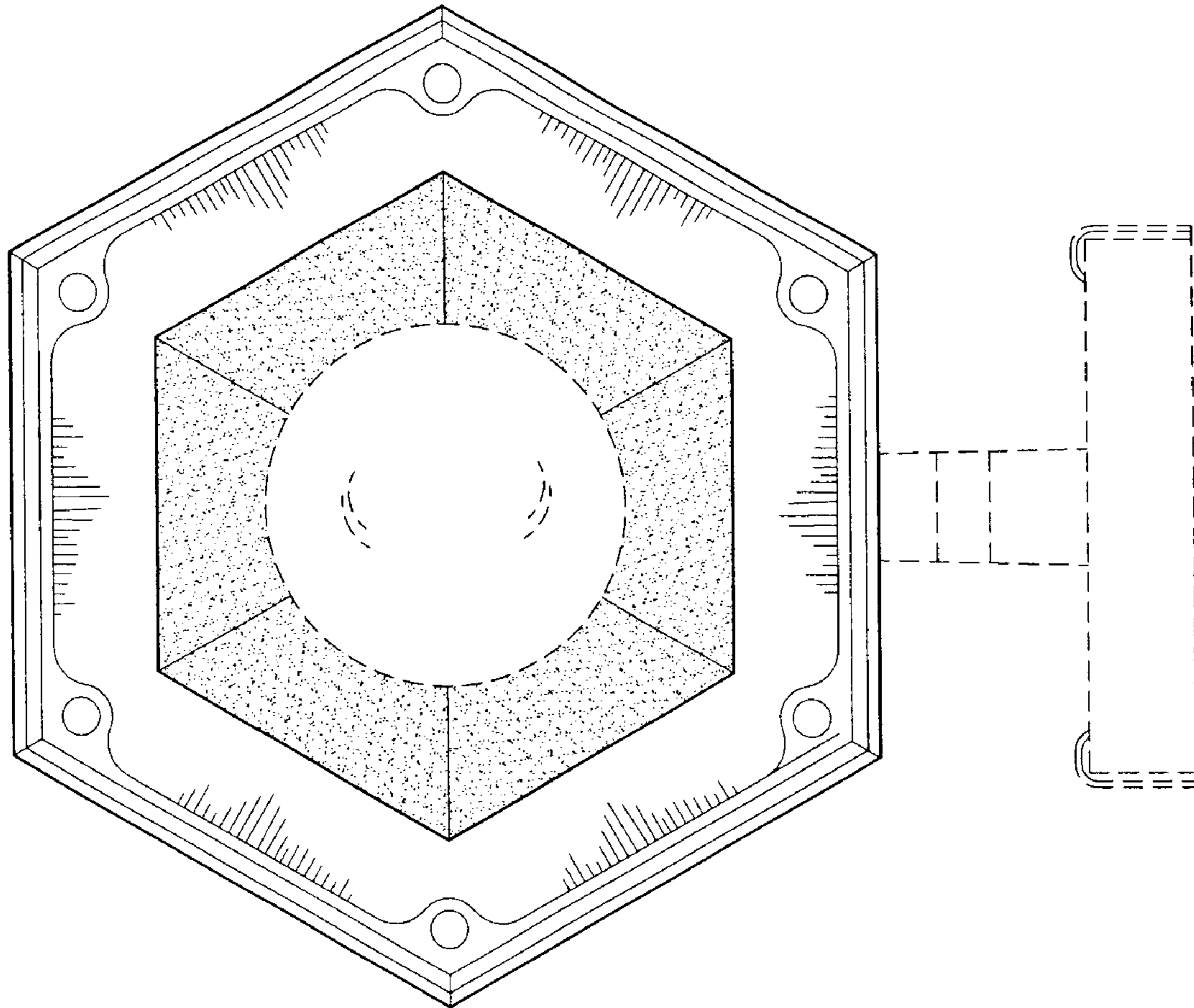


Fig. 18