



US00D518911S

(12) **United States Design Patent**  
**Lee**

(10) **Patent No.:** **US D518,911 S**  
(45) **Date of Patent:** **\*\* Apr. 11, 2006**

(54) **WALL LAMP**

(76) Inventor: **Ying-Jue Lee**, 3F, No. 10, Alley 16,  
Lane 205, Sec. 3, Hsien Ming Da Doa  
Panchou, Taipei Hsien (TW)

(\*\*) Term: **14 Years**

(21) Appl. No.: **29/216,596**

(22) Filed: **Nov. 8, 2004**

(51) **LOC (8) Cl.** ..... **26-03**

(52) **U.S. Cl.** ..... **D26/86; D26/80; D26/92**

(58) **Field of Classification Search** ..... D26/72,  
D26/80-92, 138, 155, 142-145; 362/147,  
362/404-408, 432

See application file for complete search history.

(56) **References Cited**

U.S. PATENT DOCUMENTS

D501,060 S \* 1/2005 Lee ..... D26/86

OTHER PUBLICATIONS

Quoizel 2004 Catalog. Item #'s 850C, 8502C, 8503C and  
8504C from the Isis Collection.\*

Kichler Lighting Catalog No. 104 ©2004. Item #'s 5343 and  
5344 on p. 256.\*

Rubbed Bronze Collection Bath Light—28¾" Wide. Item #  
09790 from Lampsplus.com. Found online Sep. 23, 2005.\*

\* cited by examiner

*Primary Examiner*—Clare E Heflin

(57) **CLAIM**

The ornamental design for a wall lamp, as shown and  
described.

**DESCRIPTION**

FIG. 1 is a perspective view of wall lamp showing my new  
design;

FIG. 2 is a front elevational view thereof;

FIG. 3 is a rear elevational view thereof;

FIG. 4 is a left side elevational view thereof;

FIG. 5 is a right side elevational view thereof;

FIG. 6 is a top plan view thereof; and

FIG. 7 is a bottom plan view thereof.

FIG. 8 is a perspective view of a wall lamp showing the  
second embodiment of my new design;

FIG. 9 is a front elevational view thereof;

FIG. 10 is a rear elevational view thereof;

FIG. 11 is a left side elevational view thereof;

FIG. 12 is a right side elevational view thereof;

FIG. 13 is a top plan view thereof; and

FIG. 14 is a bottom plan view thereof.

FIG. 15 is a perspective view of a wall lamp showing the  
third embodiment of my new design;

FIG. 16 is a front elevational view thereof;

FIG. 17 is a rear elevational view thereof;

FIG. 18 is a left side elevational view thereof;

FIG. 19 is a right side elevational view thereof;

FIG. 20 is a top plan view thereof; and

FIG. 21 is a bottom plan view thereof.

FIG. 22 is a perspective view of a wall lamp showing the  
fourth embodiment of my new design;

FIG. 23 is a front elevational view thereof;

FIG. 24 is a rear elevational view thereof;

FIG. 25 is a left side elevational view thereof;

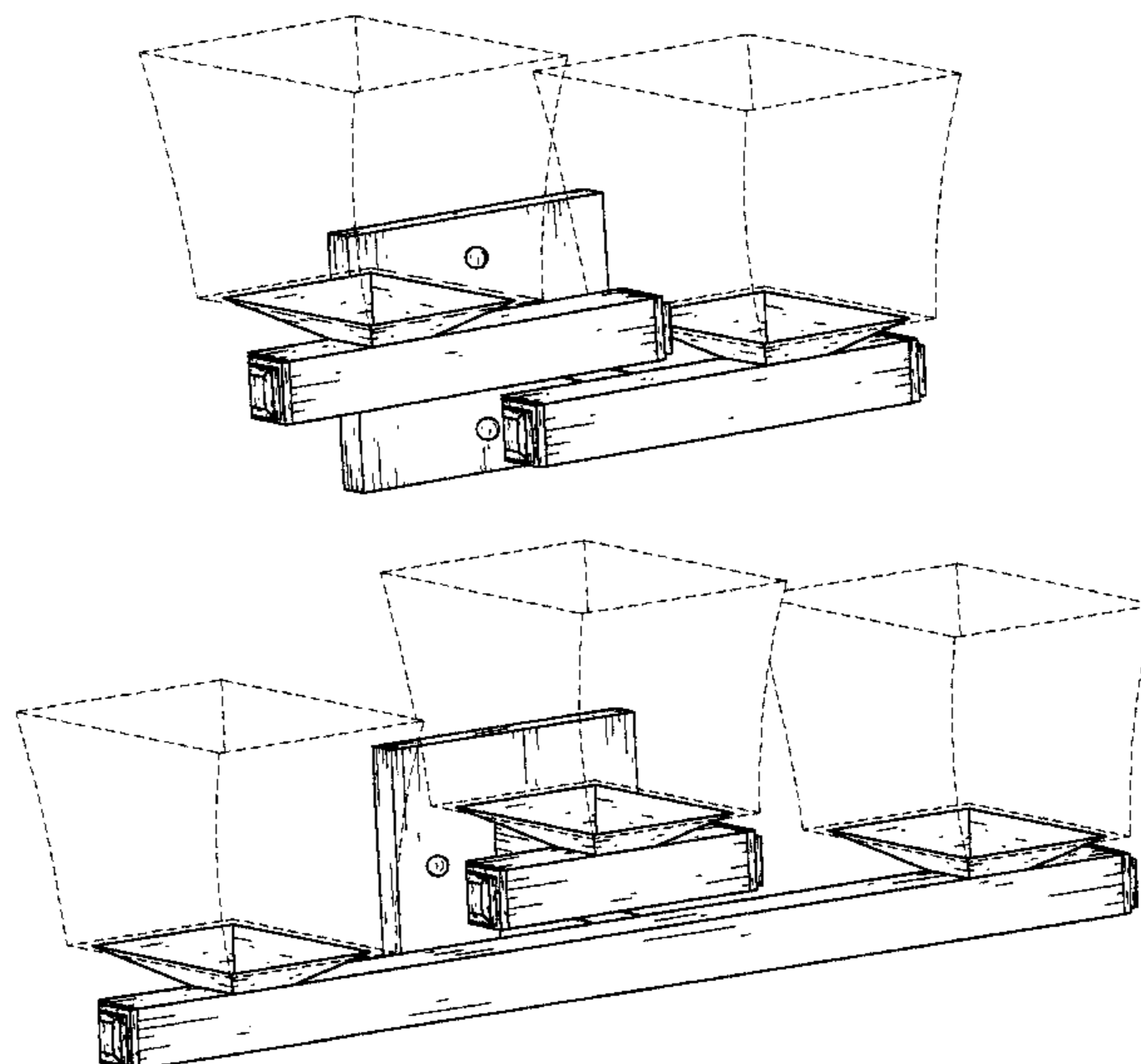
FIG. 26 is a right side elevational view thereof;

FIG. 27 is a top plan view thereof; and,

FIG. 28 is a bottom plan view thereof.

The broken lines are shown for illustrative purpose only, and  
forming no part of the claimed design.

**1 Claim, 18 Drawing Sheets**



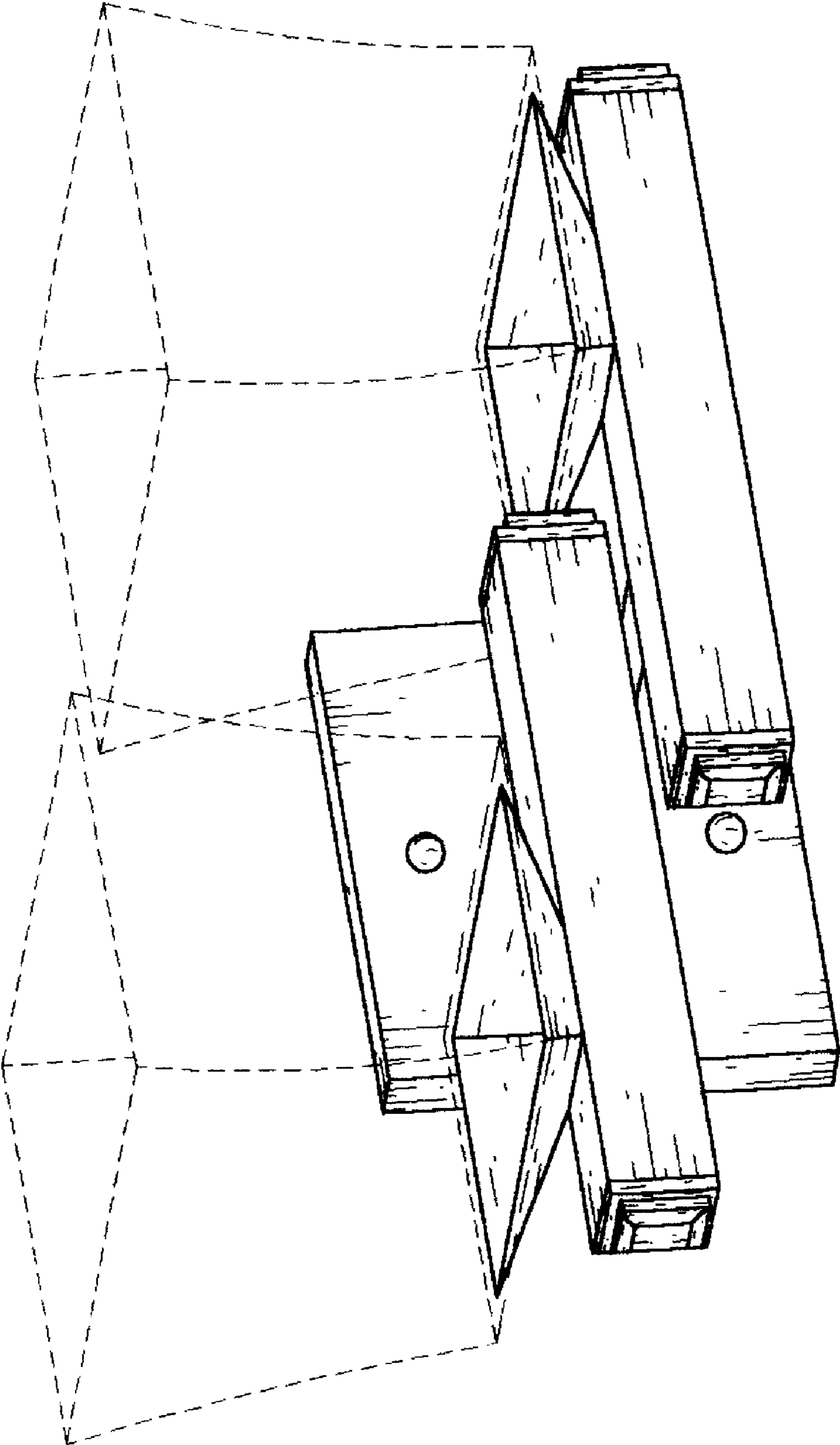


Fig. 1

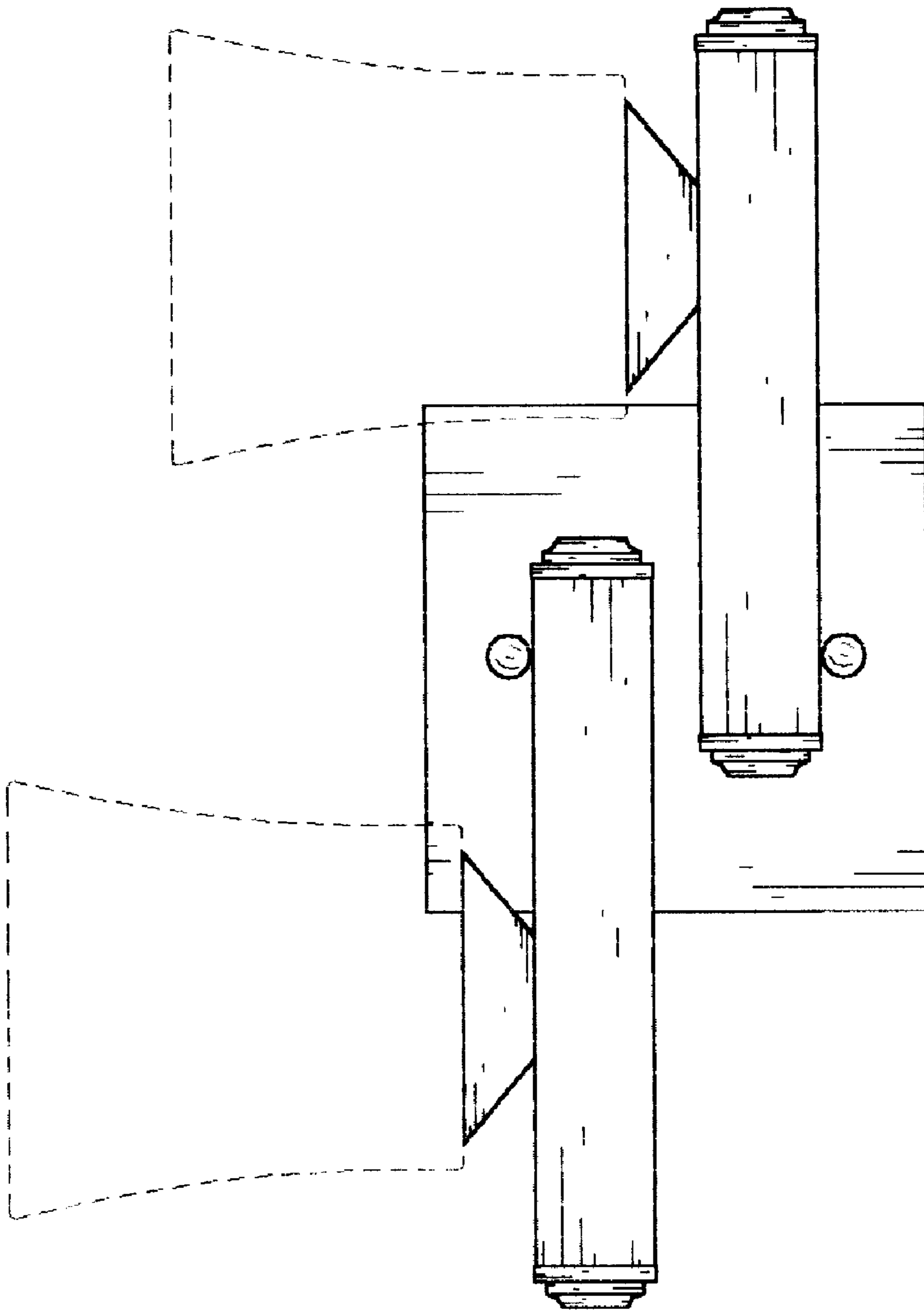


Fig. 2

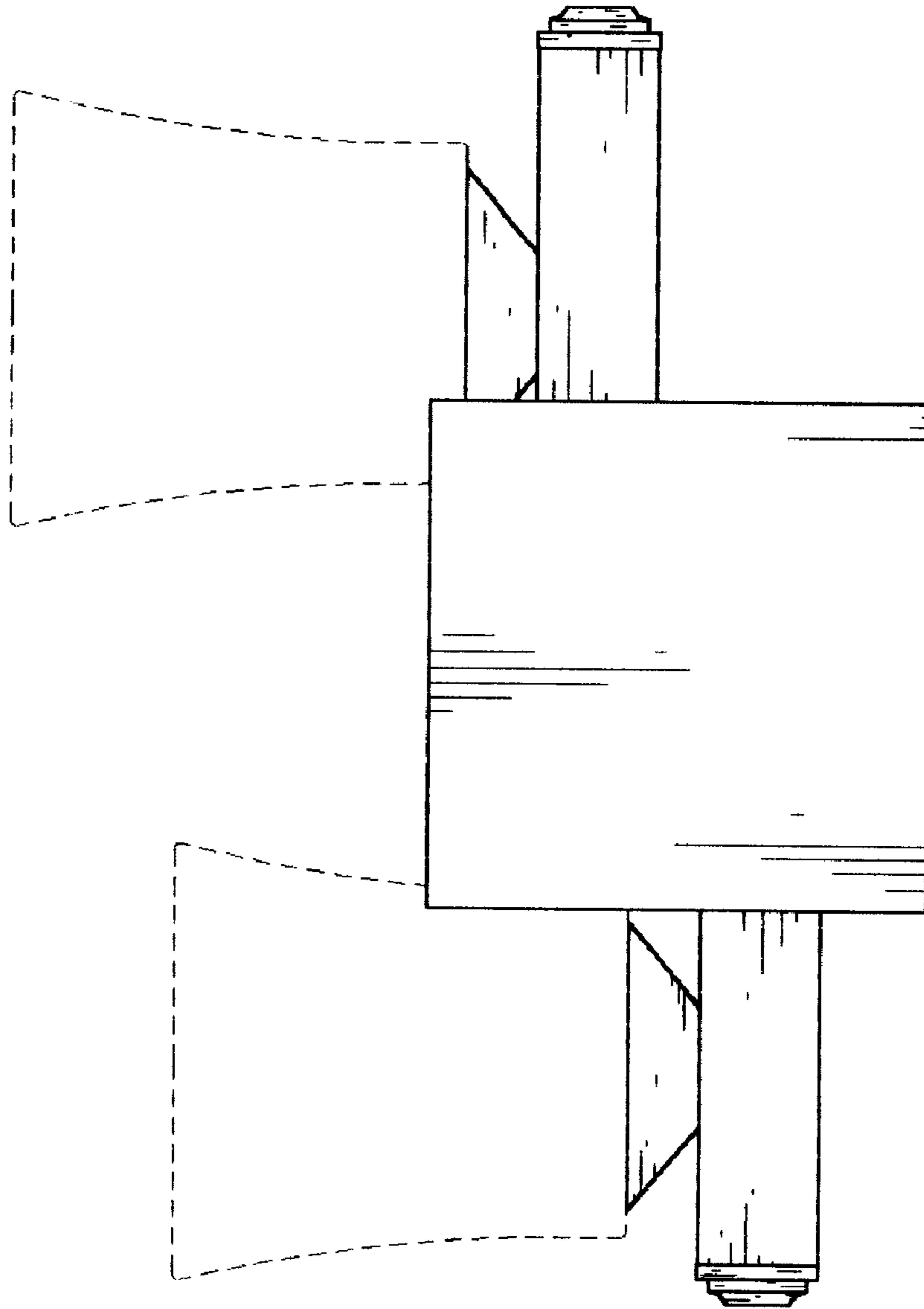


Fig. 3

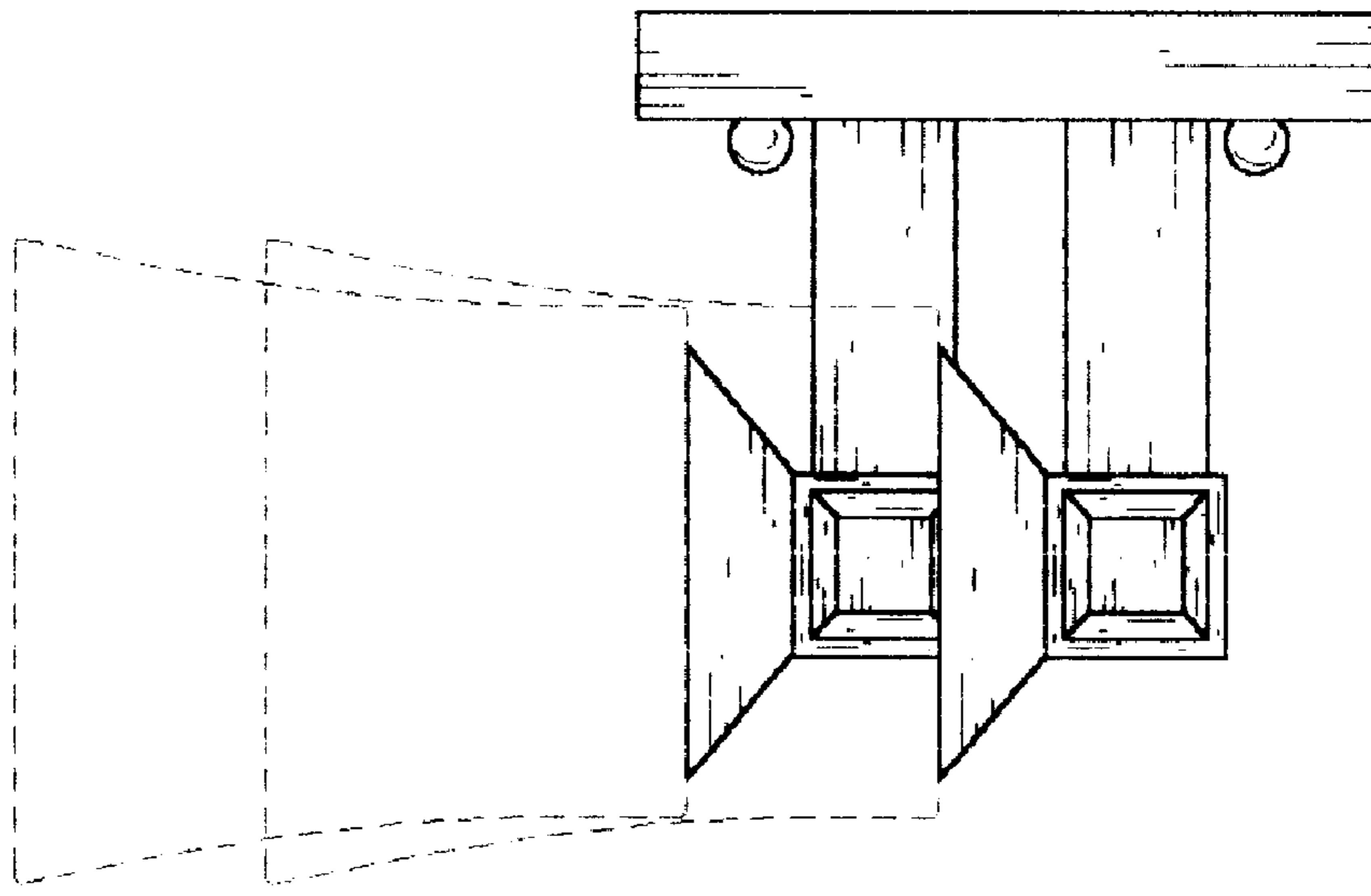


Fig. 5

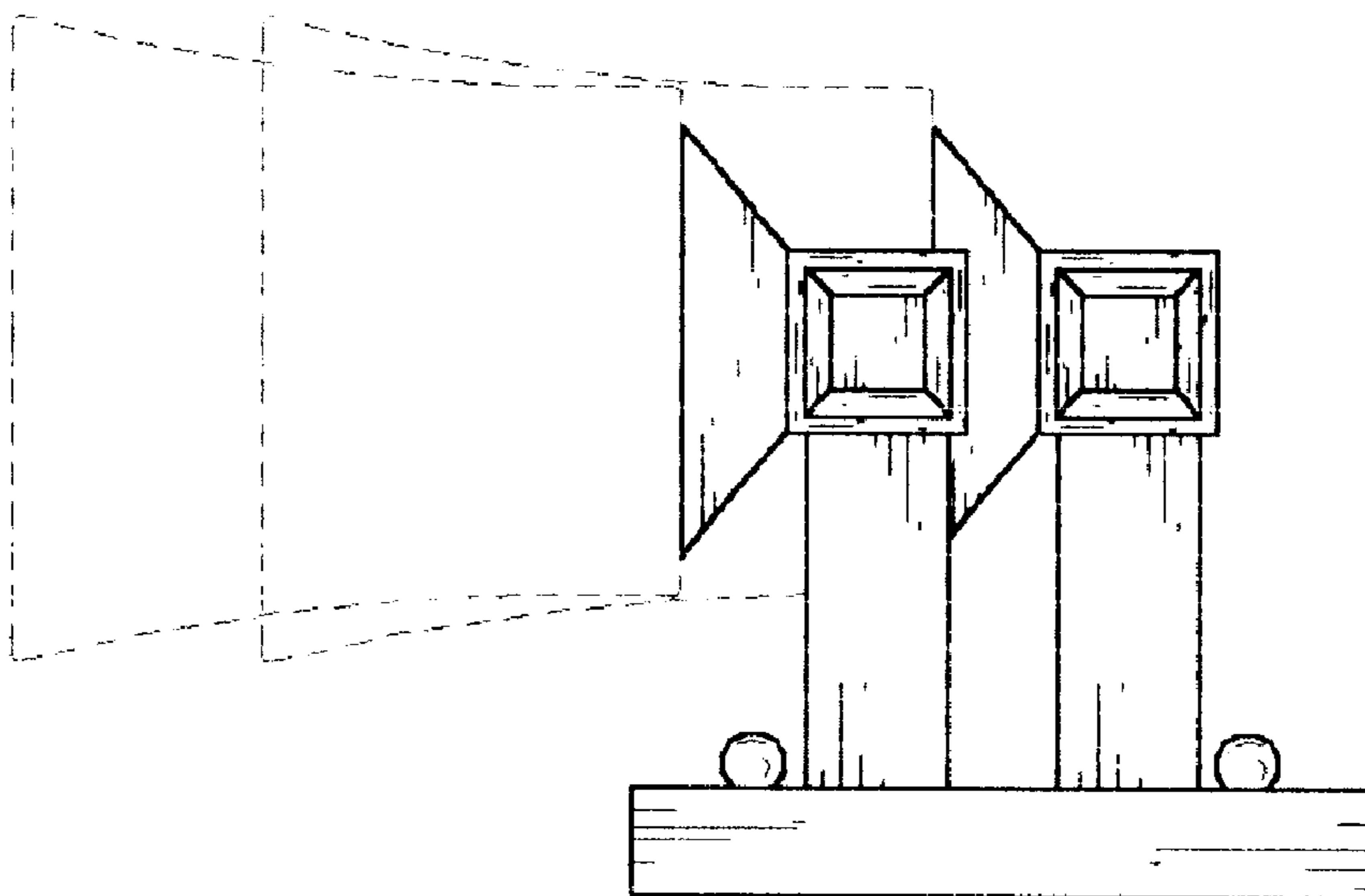


Fig. 4

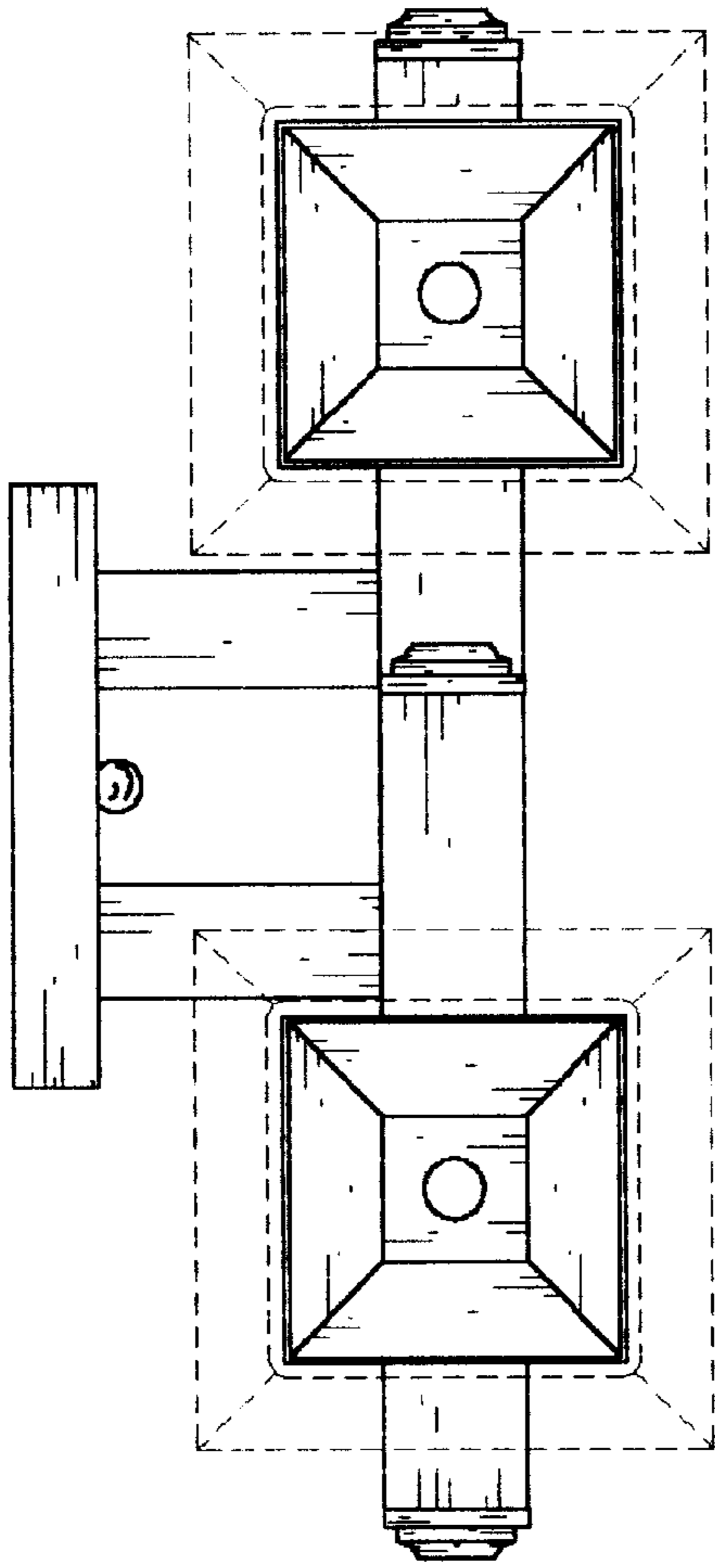


Fig. 6

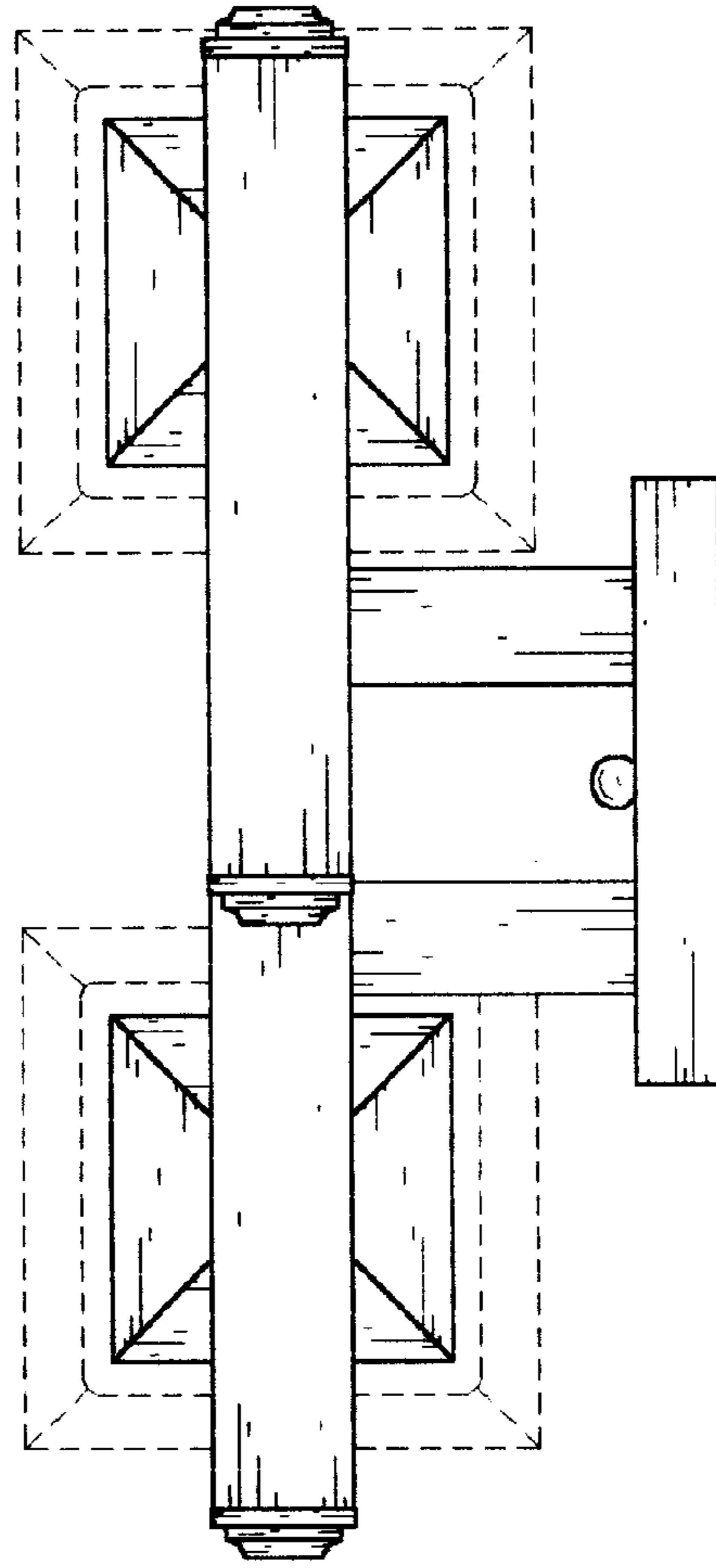


Fig. 7

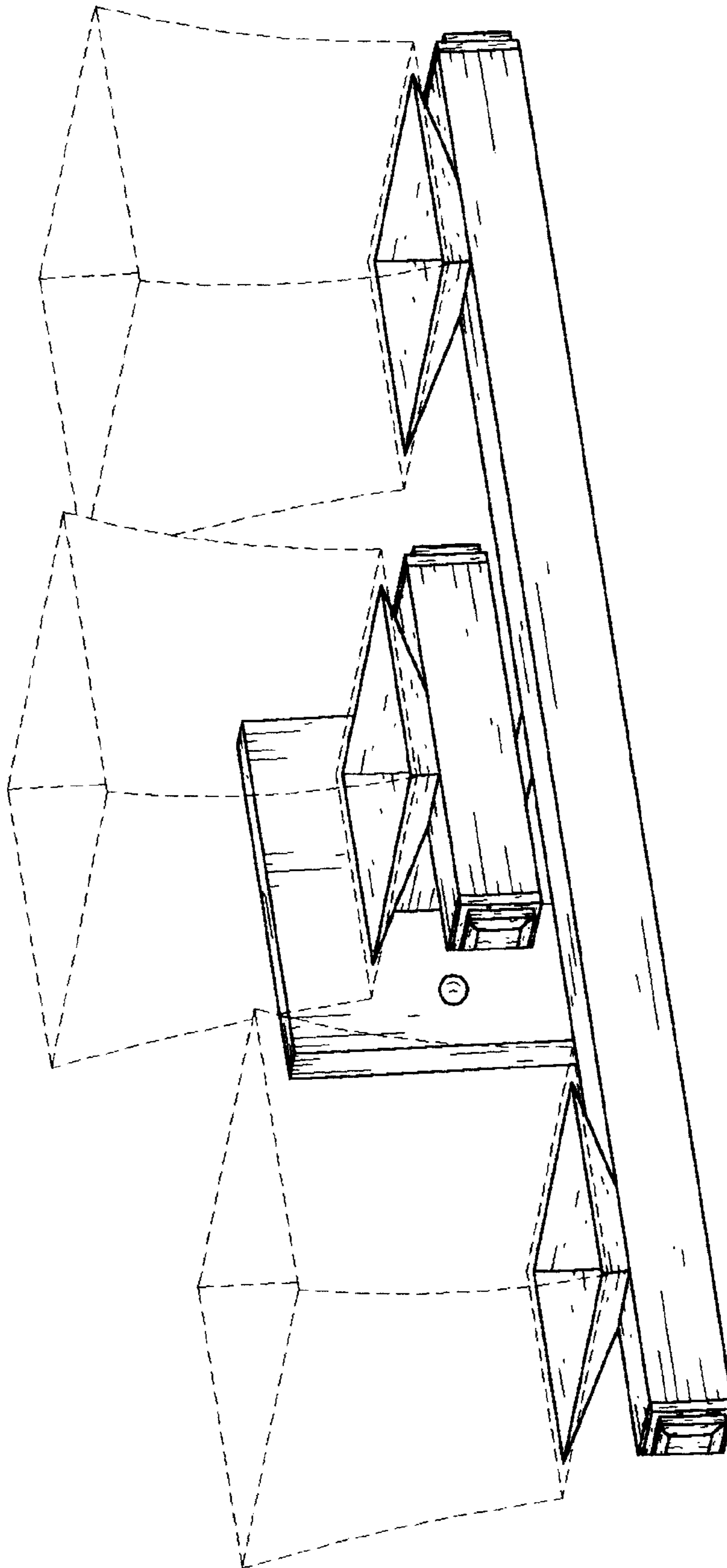


Fig. 8

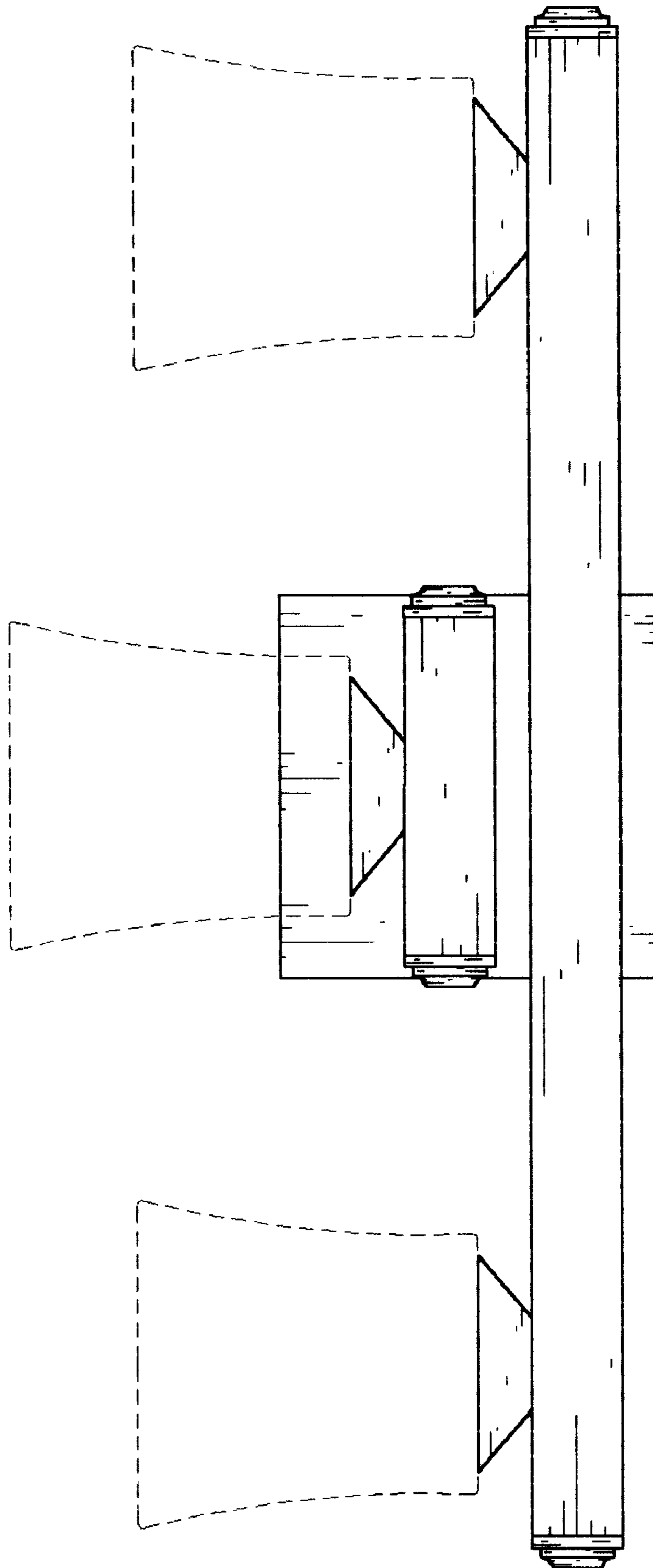


Fig. 9



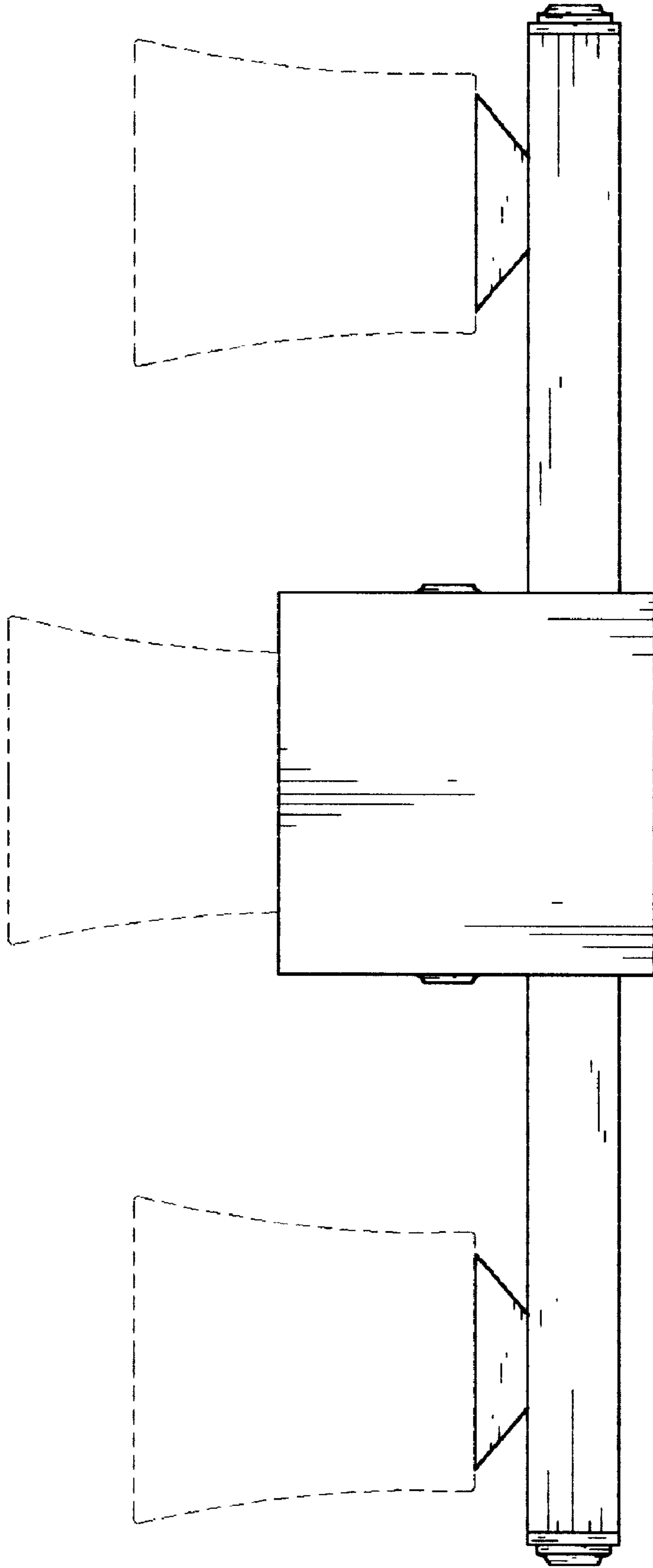


Fig. 10

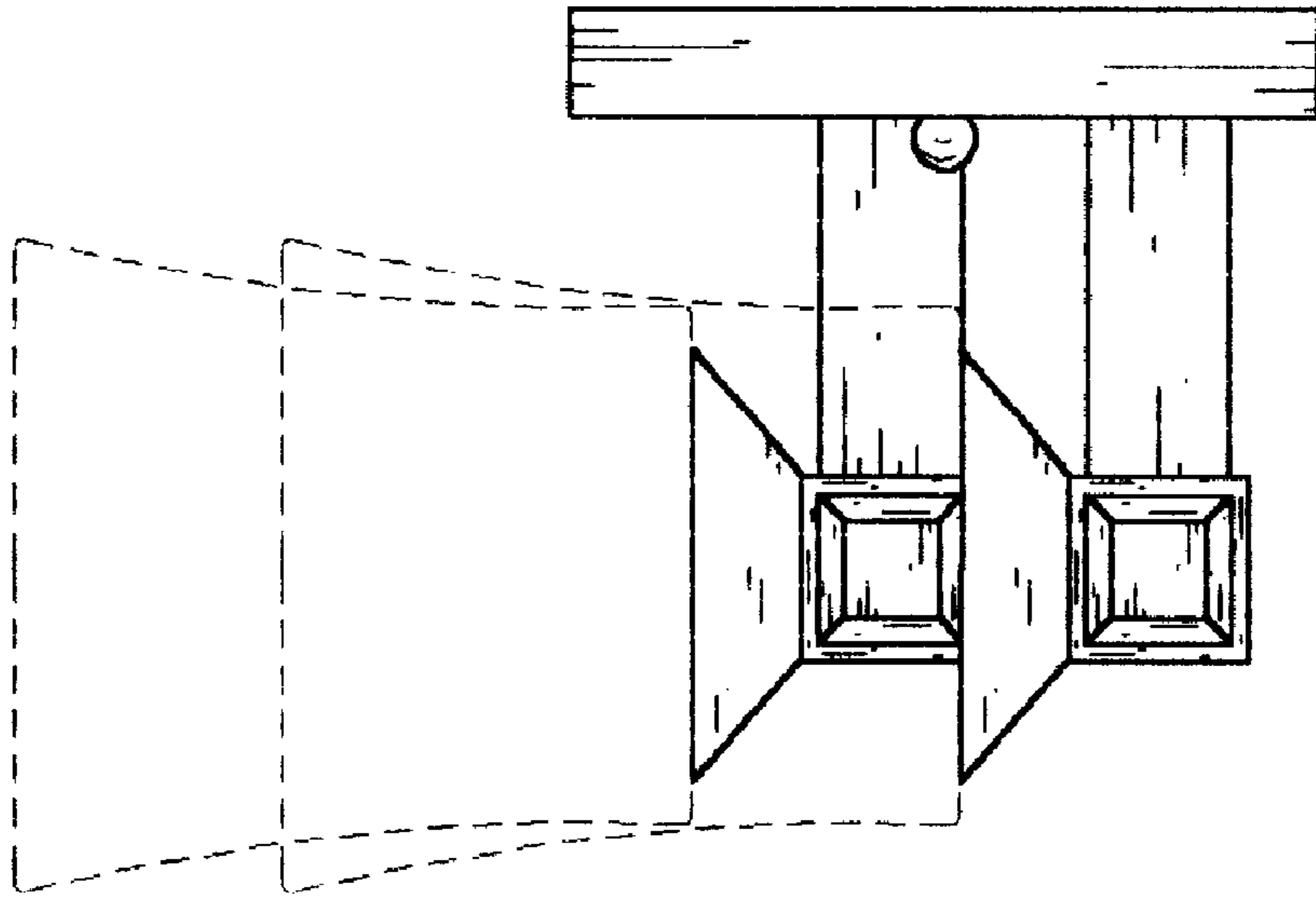


Fig.12

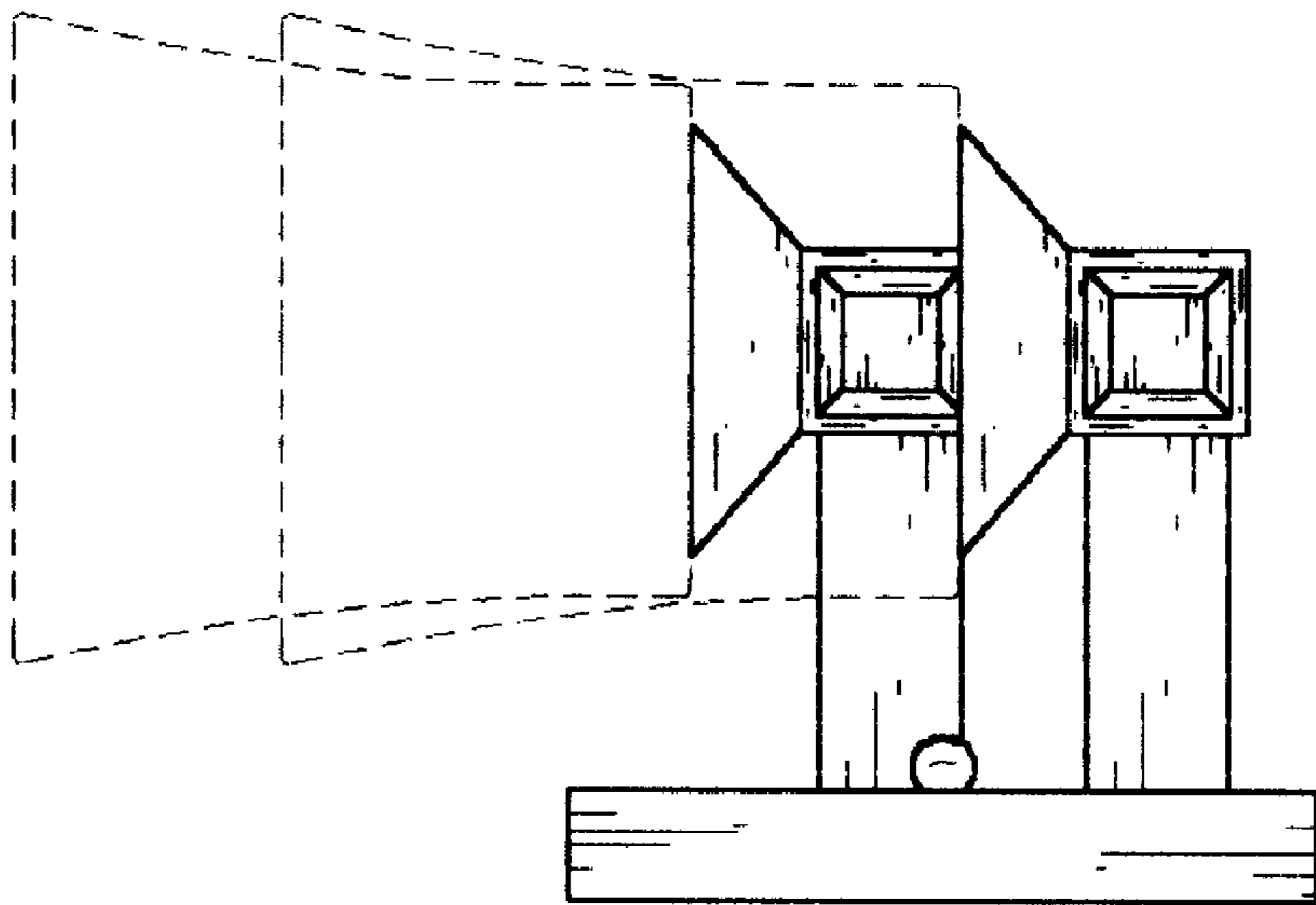


Fig.11

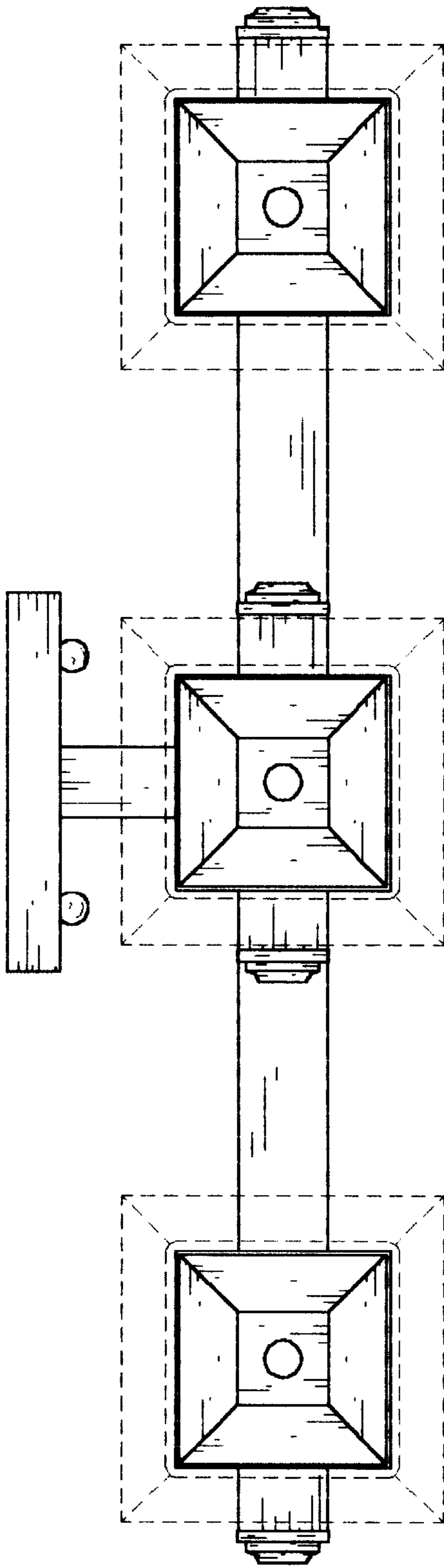


Fig. 13

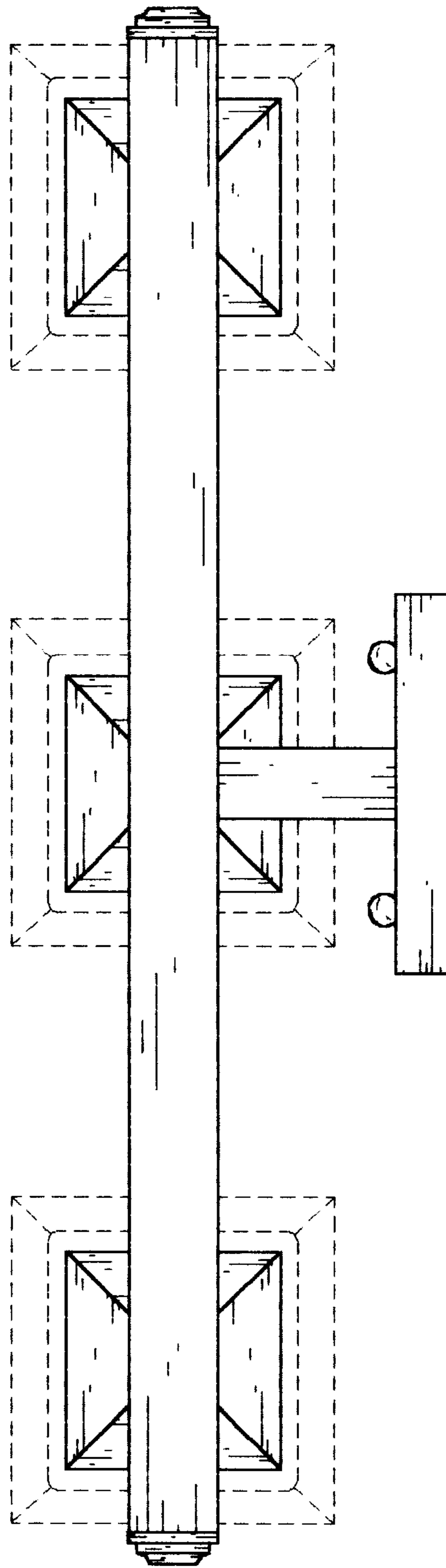


Fig. 14

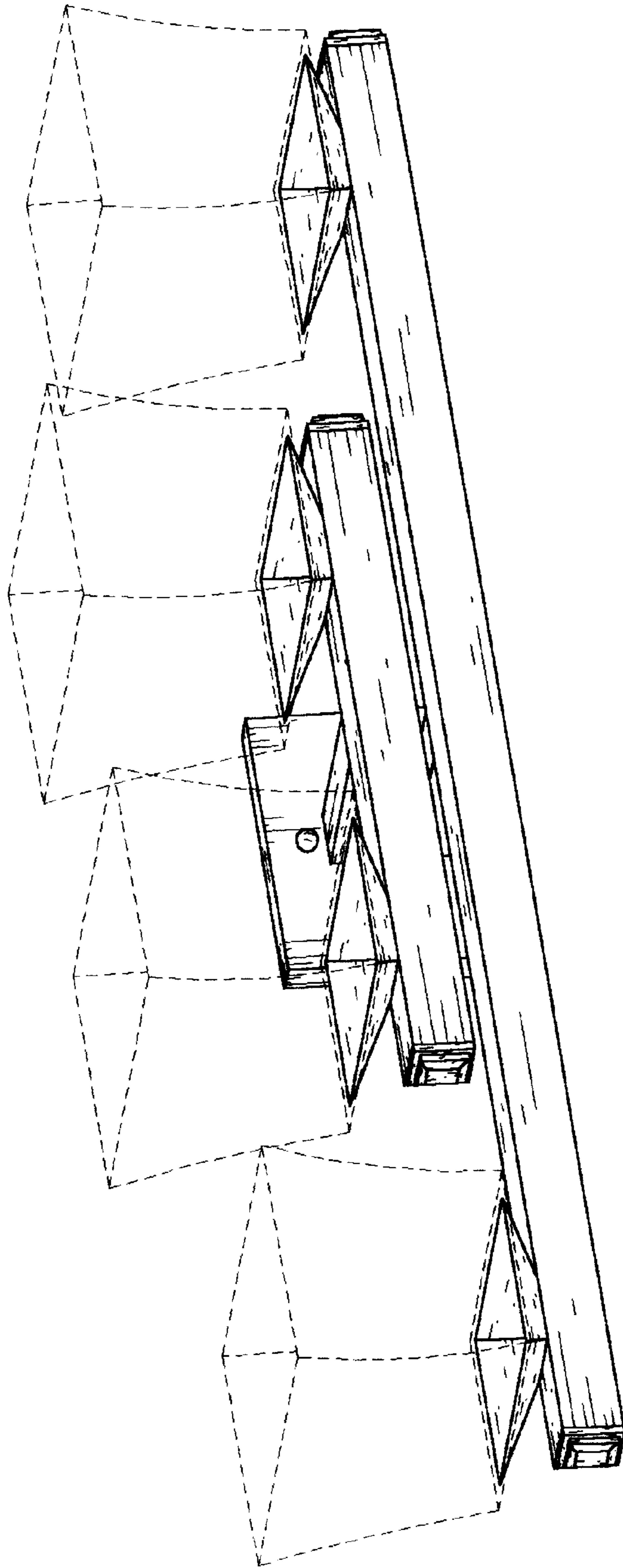


Fig.15

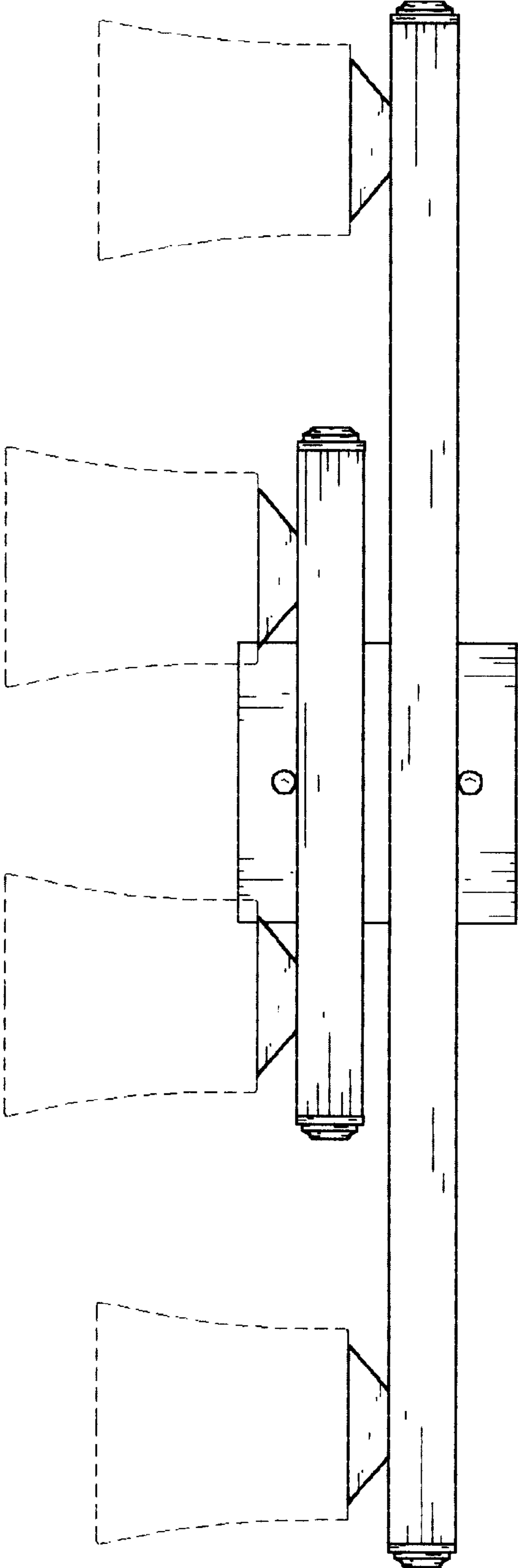


Fig.16

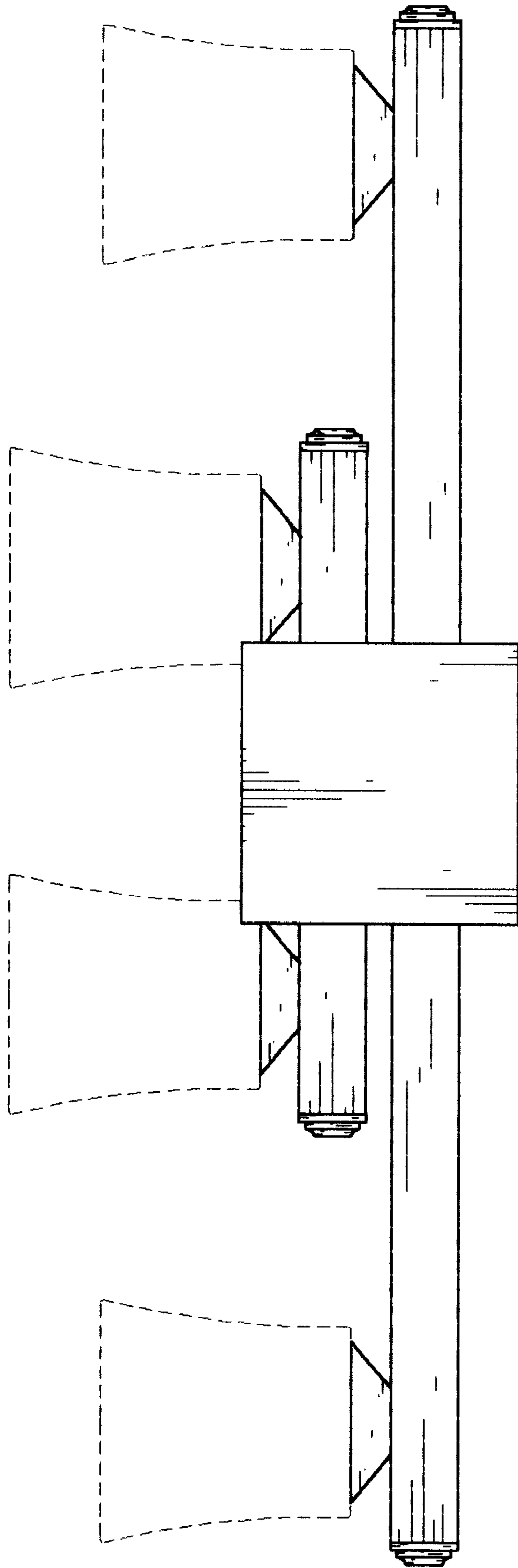


Fig.17

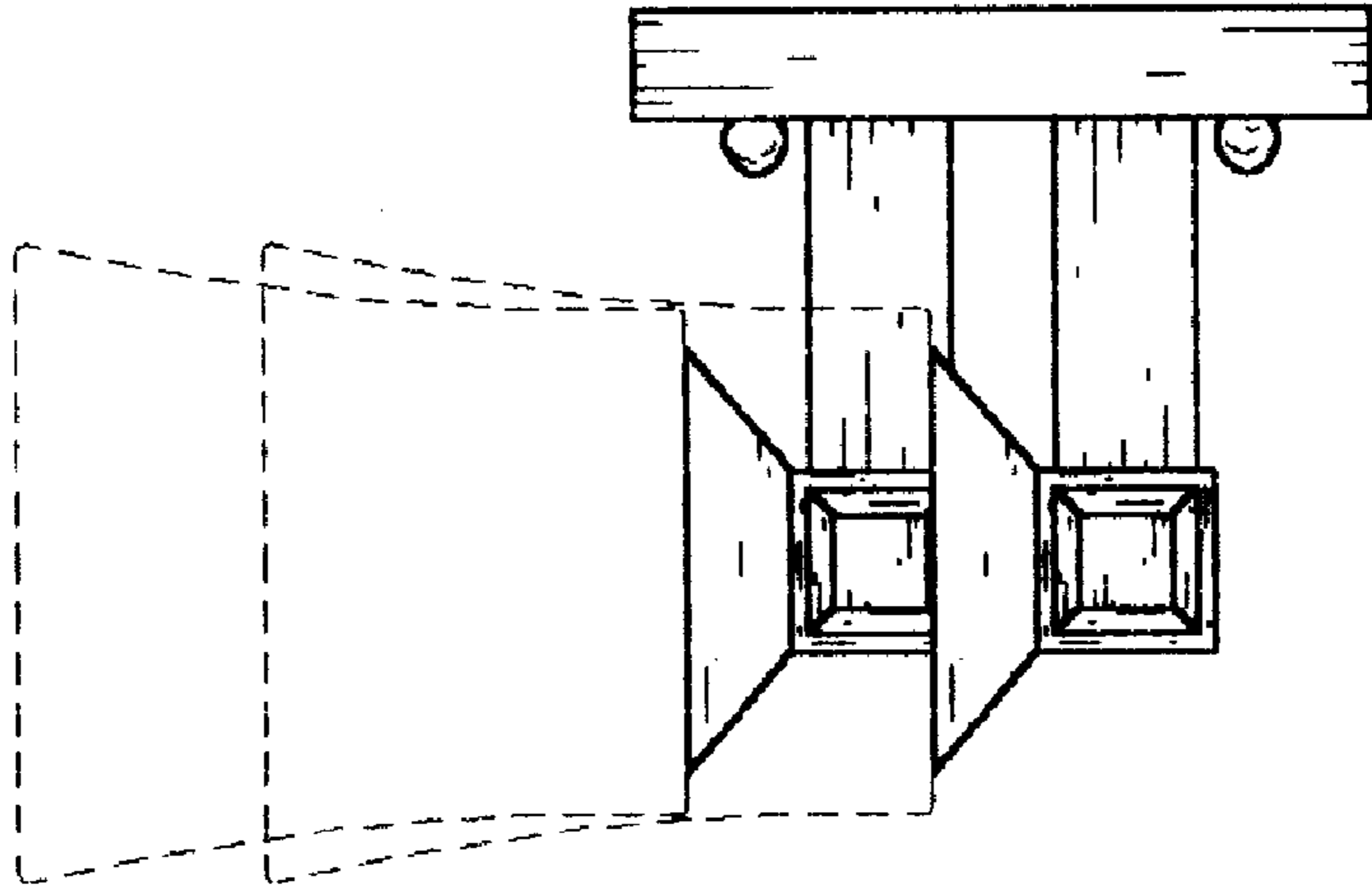


Fig. 19

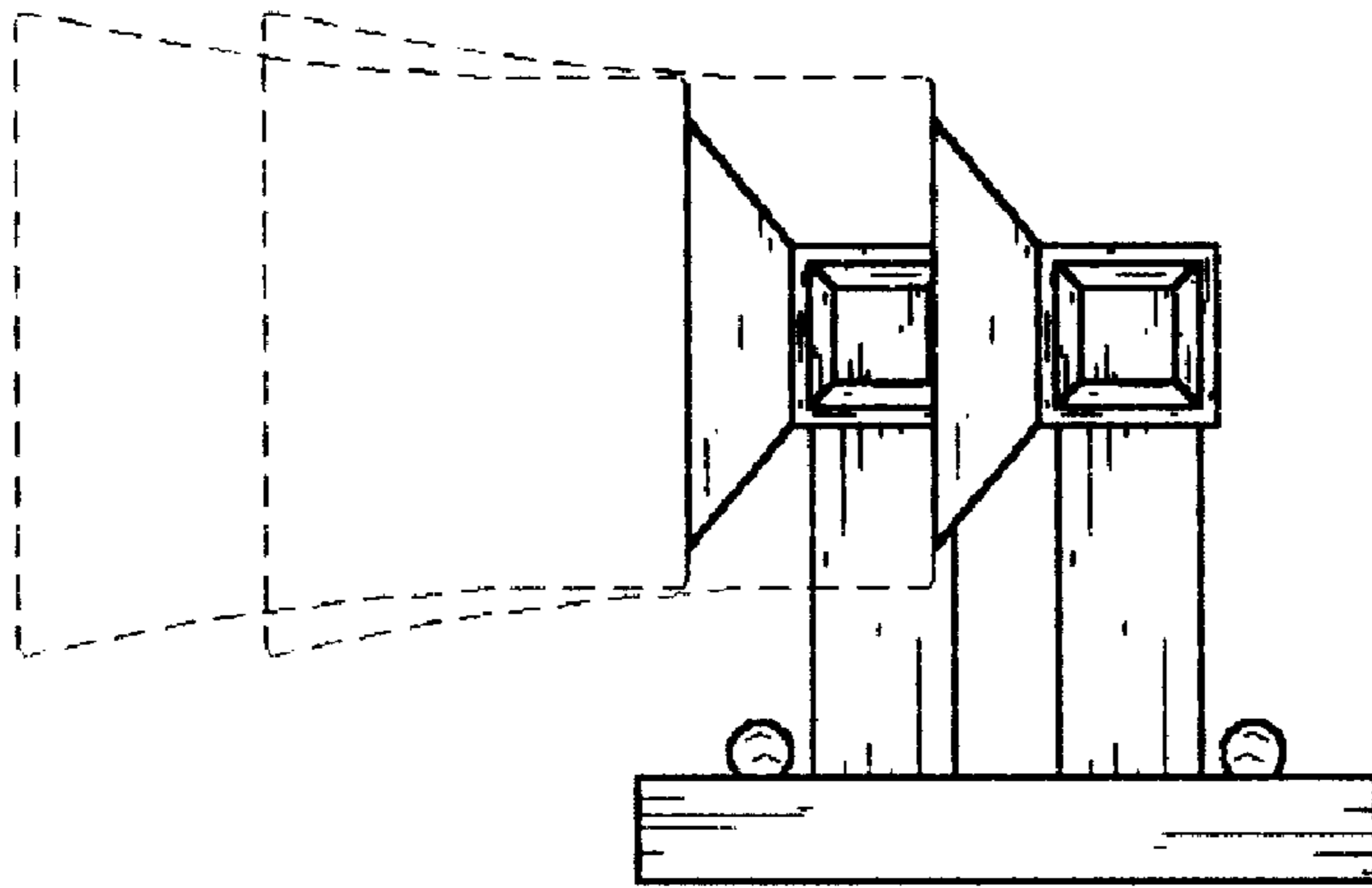


Fig 18

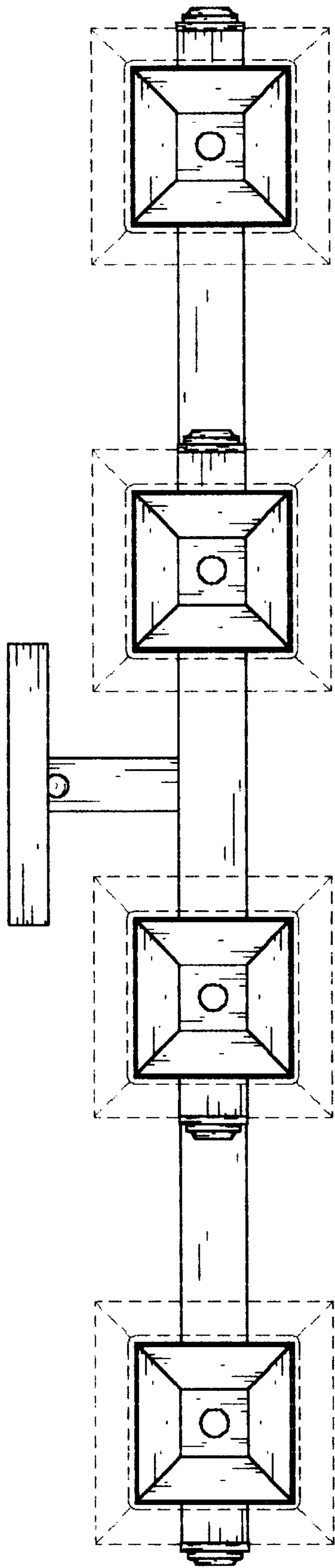


Fig. 20

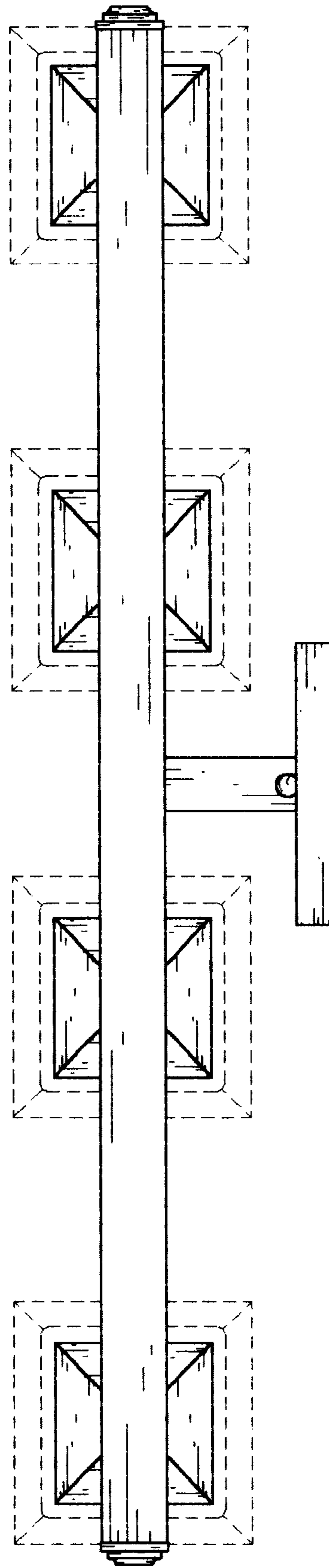


Fig. 21



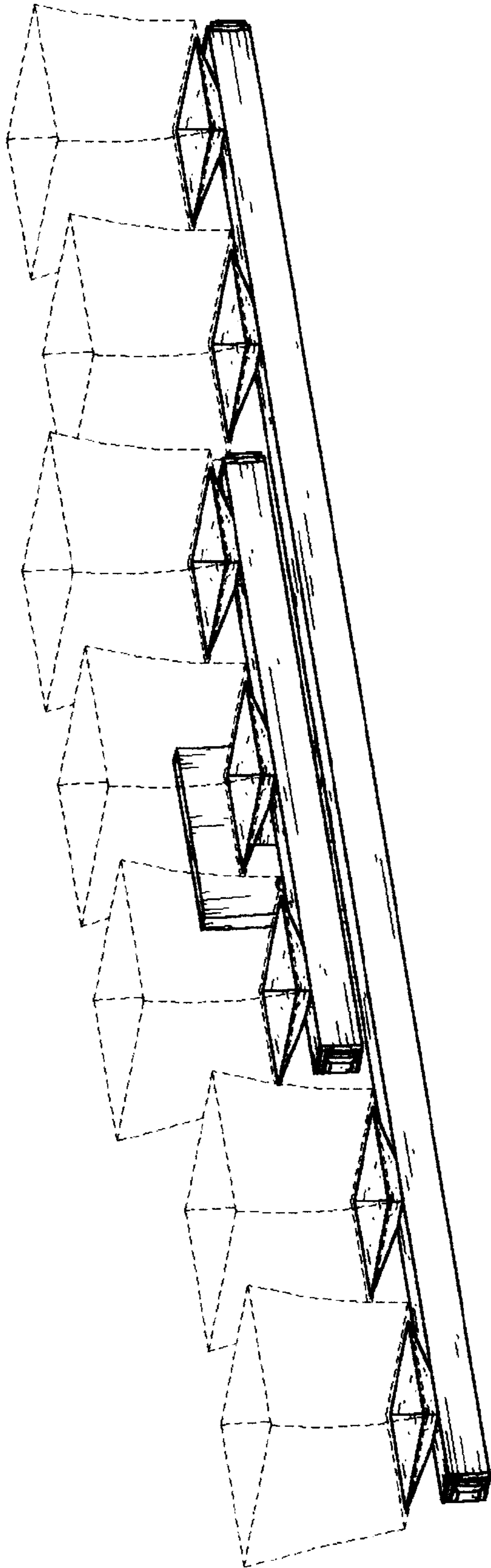


Fig. 22

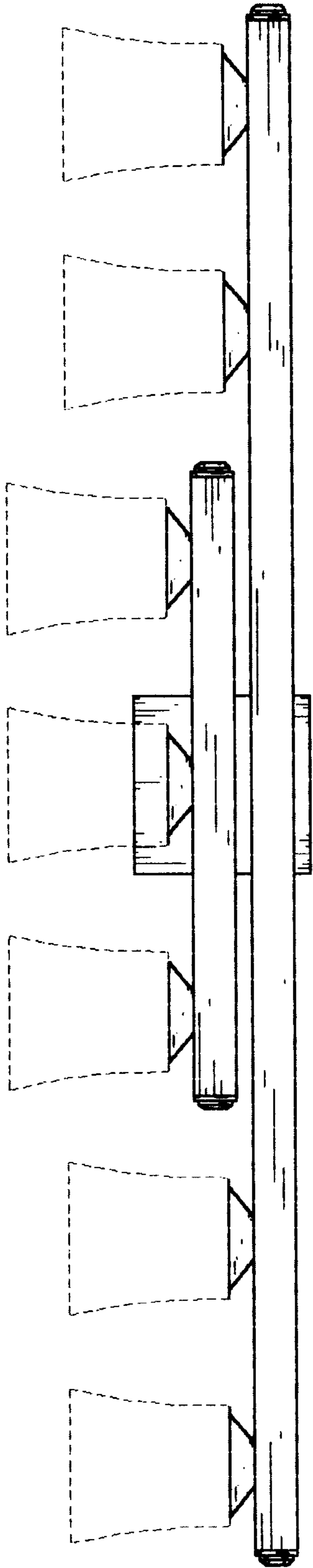


Fig. 23

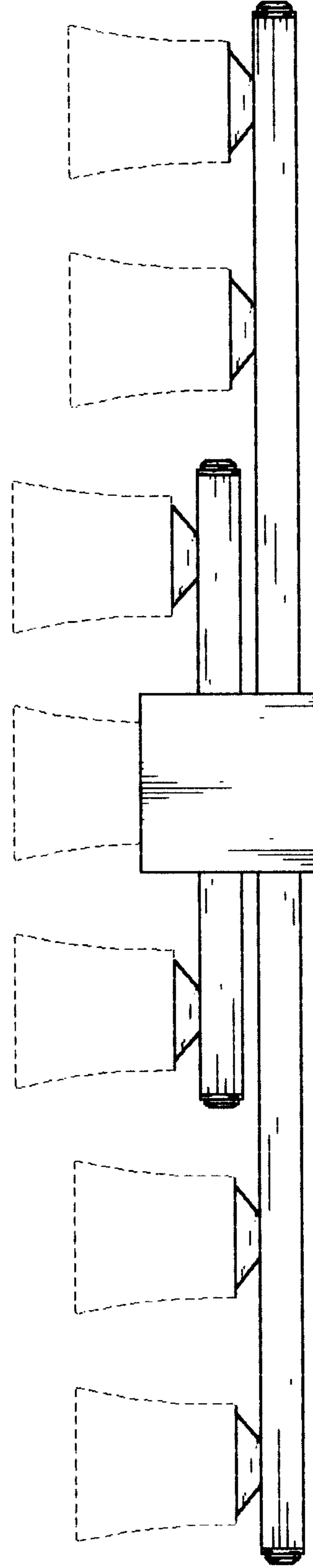


Fig. 24

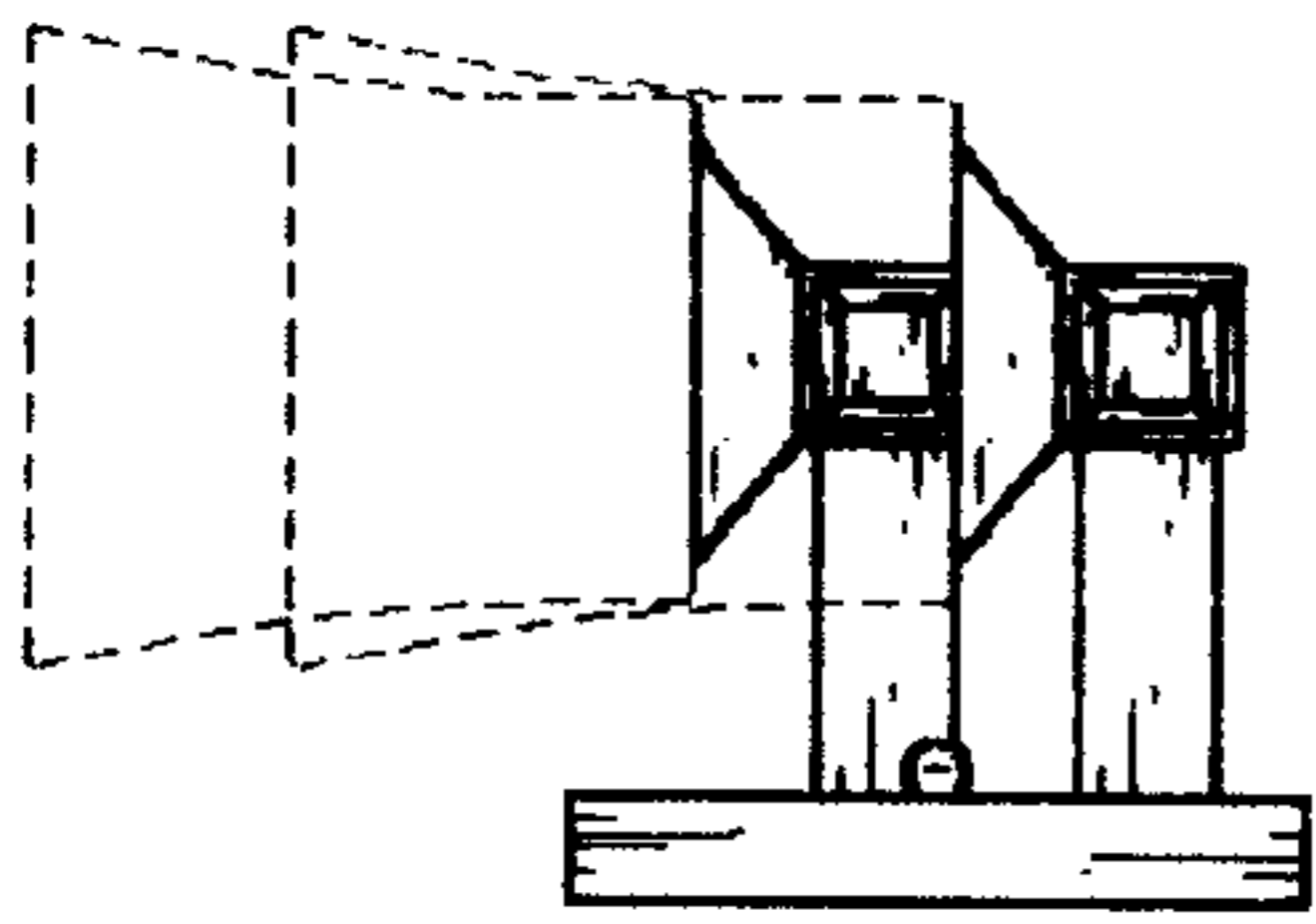


Fig. 25

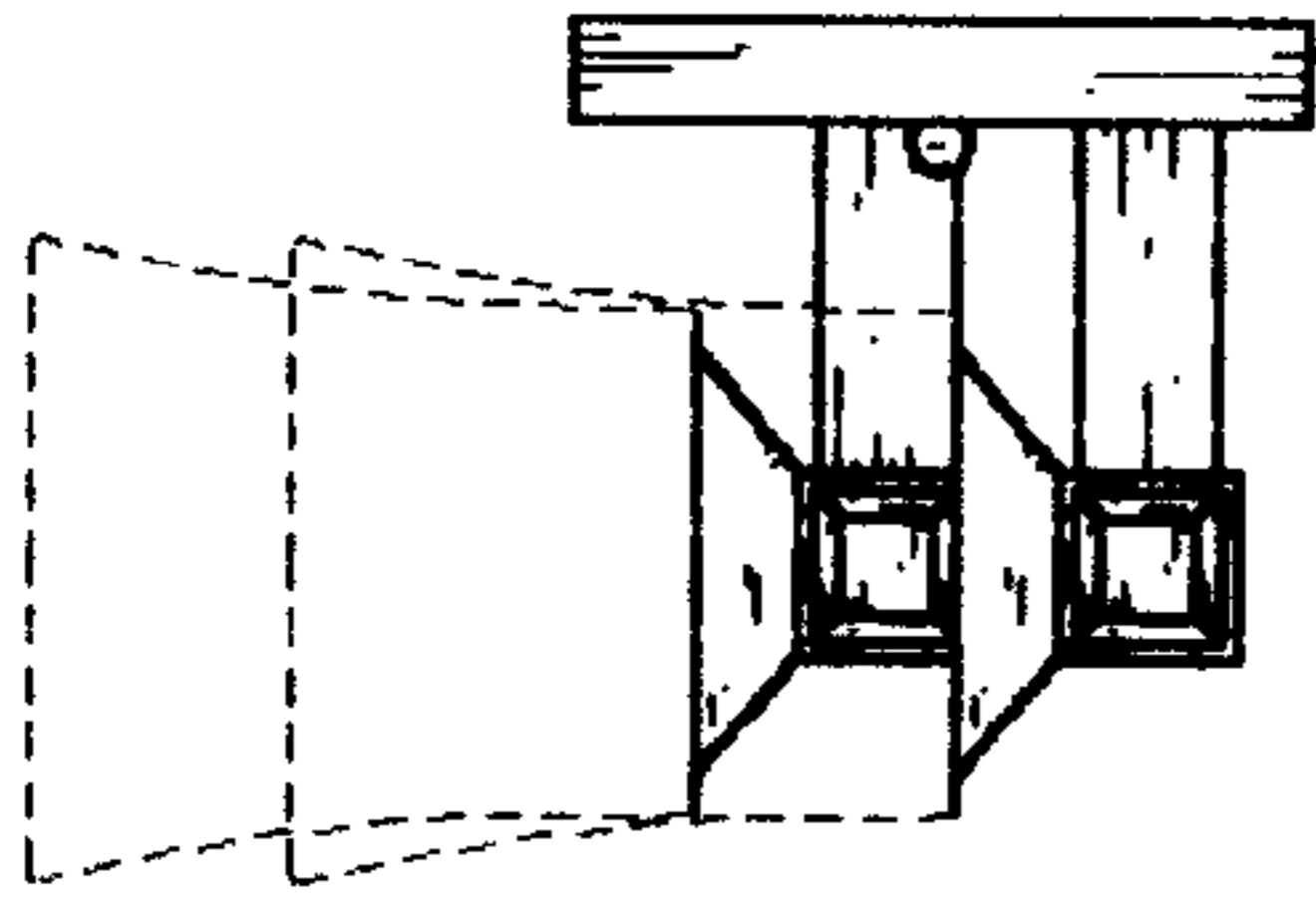


Fig. 26

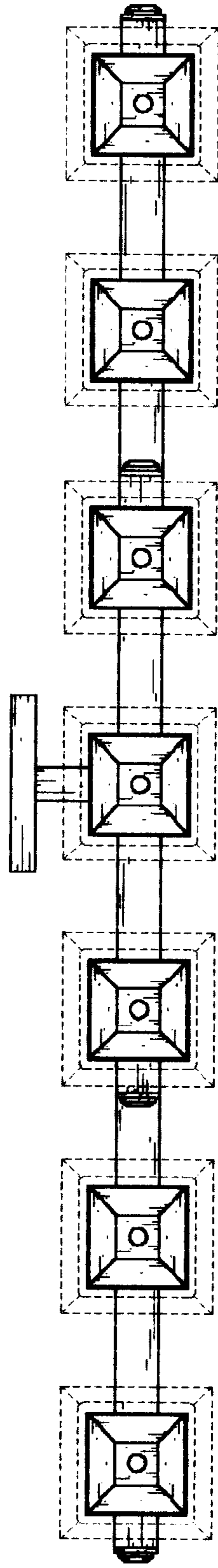


Fig. 27

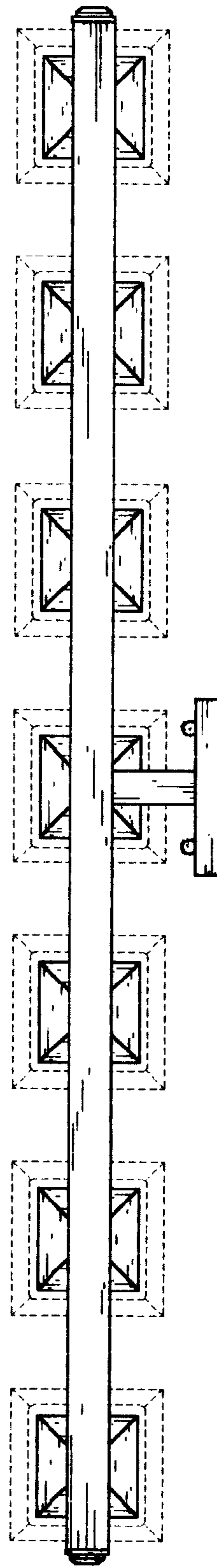


Fig. 28