



US00D518909S

(12) **United States Design Patent**
Mullen

(10) **Patent No.:** **US D518,909 S**

(45) **Date of Patent:** **** Apr. 11, 2006**

(54) **BIG BANG LIGHTING FIXTURE**

(76) Inventor: **Nate Mullen**, 1240 Simpson Way,
Escondido, CA (US) 92029

(**) Term: **14 Years**

(21) Appl. No.: **29/183,364**

(22) Filed: **Jun. 11, 2003**

(51) **LOC (8) Cl.** **26-05**

(52) **U.S. Cl.** **D26/61; D26/63**

(58) **Field of Classification Search** D26/60-66,
D26/72, 82-90, 138; 362/153, 153.1, 267,
362/269, 281, 285, 287, 418, 419, 427, 430
See application file for complete search history.

(56) **References Cited**

U.S. PATENT DOCUMENTS

D151,309 S	*	10/1948	Witte	D26/63
D172,522 S	*	6/1954	Stone	D26/63
D173,139 S	*	10/1954	Black	D26/63
D175,528 S	*	9/1955	Atkin	D26/63
D232,655 S	*	9/1974	Aulenti	D26/63
D232,656 S	*	9/1974	Aulenti	D26/63
D414,579 S	*	9/1999	Denison et al.	D26/68
D495,079 S	*	8/2004	Mullen	D26/63

* cited by examiner

Primary Examiner—Clare E Heflin

(74) *Attorney, Agent, or Firm*—Kelly Lowry & Kelley, LLP

(57) **CLAIM**

The ornamental design for the big bang lighting fixture, as shown.

DESCRIPTION

An article embodying the design as shown in the present application is in the nature of an electrical lighting fixture for use in lighting systems, particularly in landscape lighting systems.

FIG. 1 presents a perspective view of the big bang lighting fixture of the present invention.

FIG. 2 presents a front view of the big bang lighting fixture of the present invention.

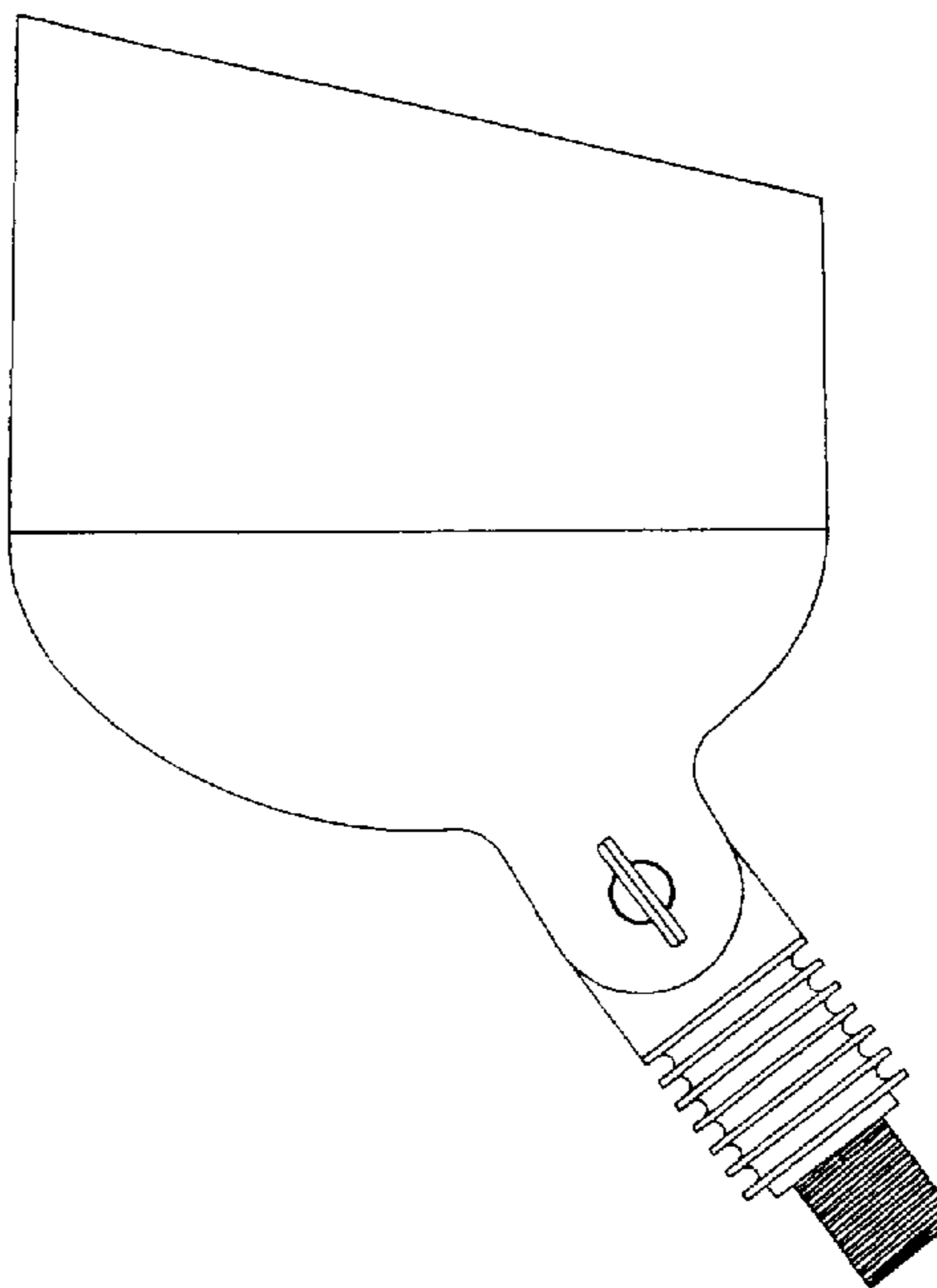
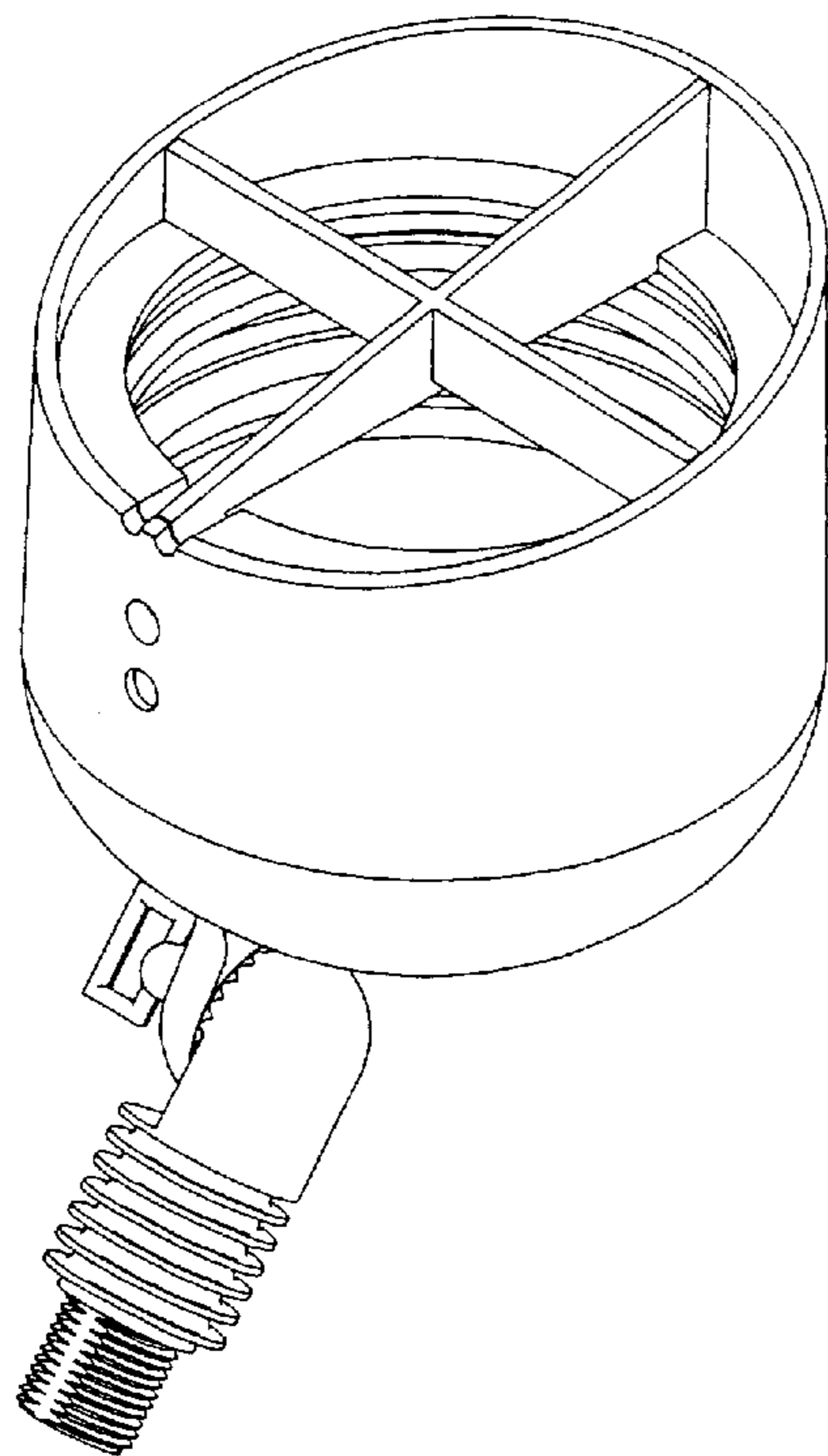
FIG. 3 presents a top view of the big bang lighting fixture of the present invention.

FIG. 4 presents a bottom view of the big bang lighting fixture of the present invention.

FIG. 5 presents a left side view of the big bang lighting fixture of the present invention; and,

FIG. 6 presents a right side view of the big bang lighting fixture of the present invention.

1 Claim, 3 Drawing Sheets



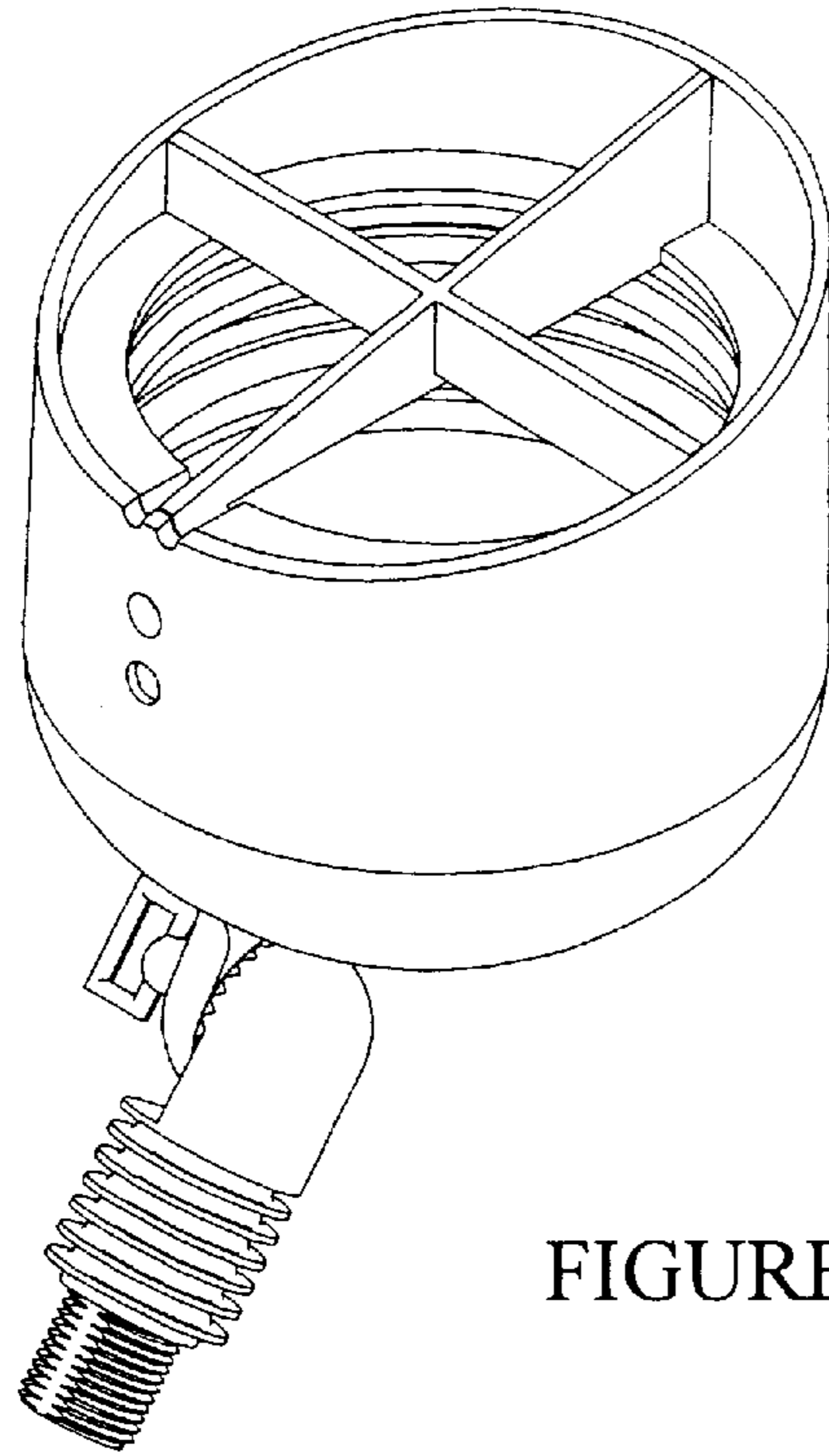


FIGURE 1

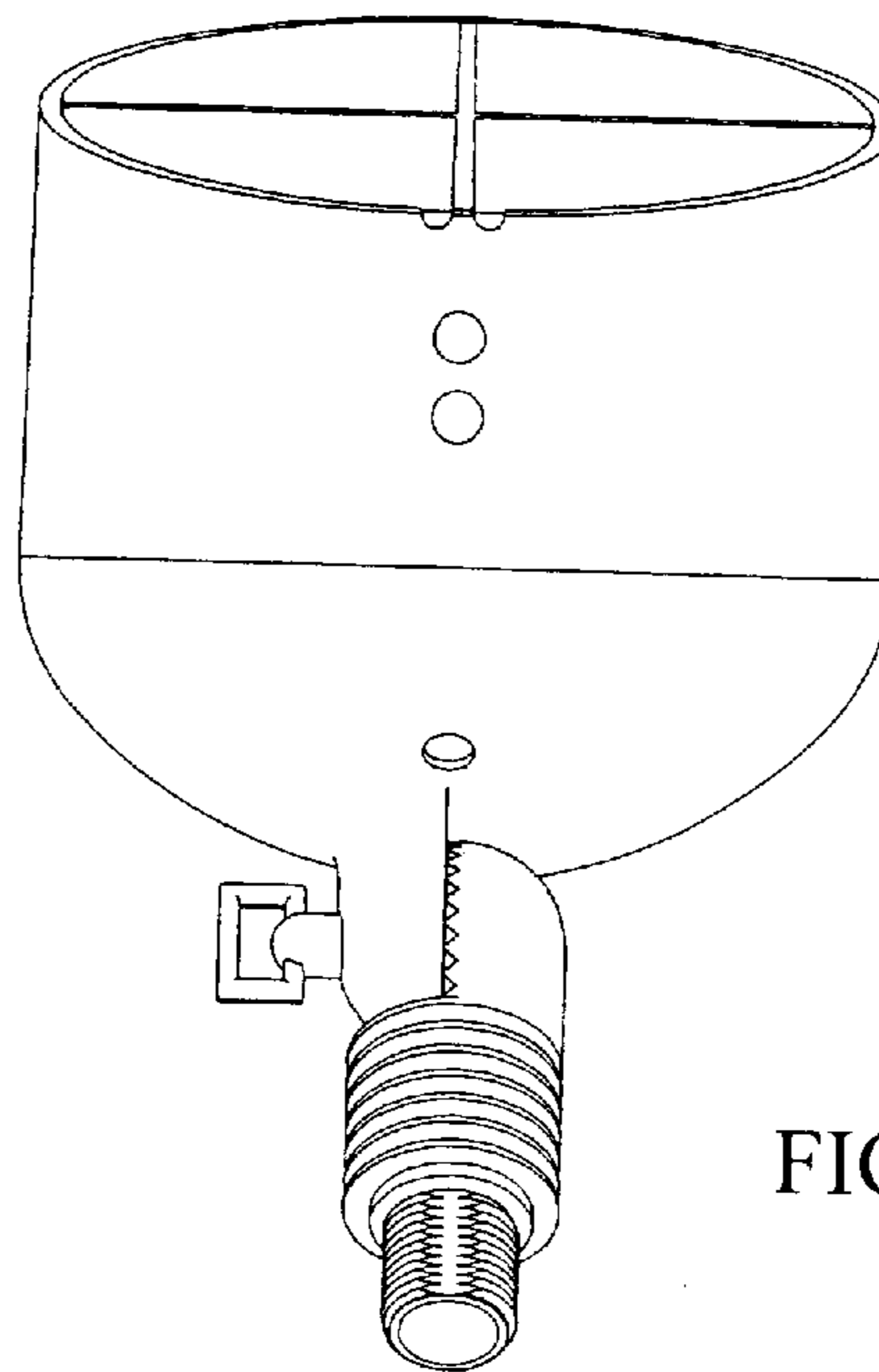


FIGURE 2

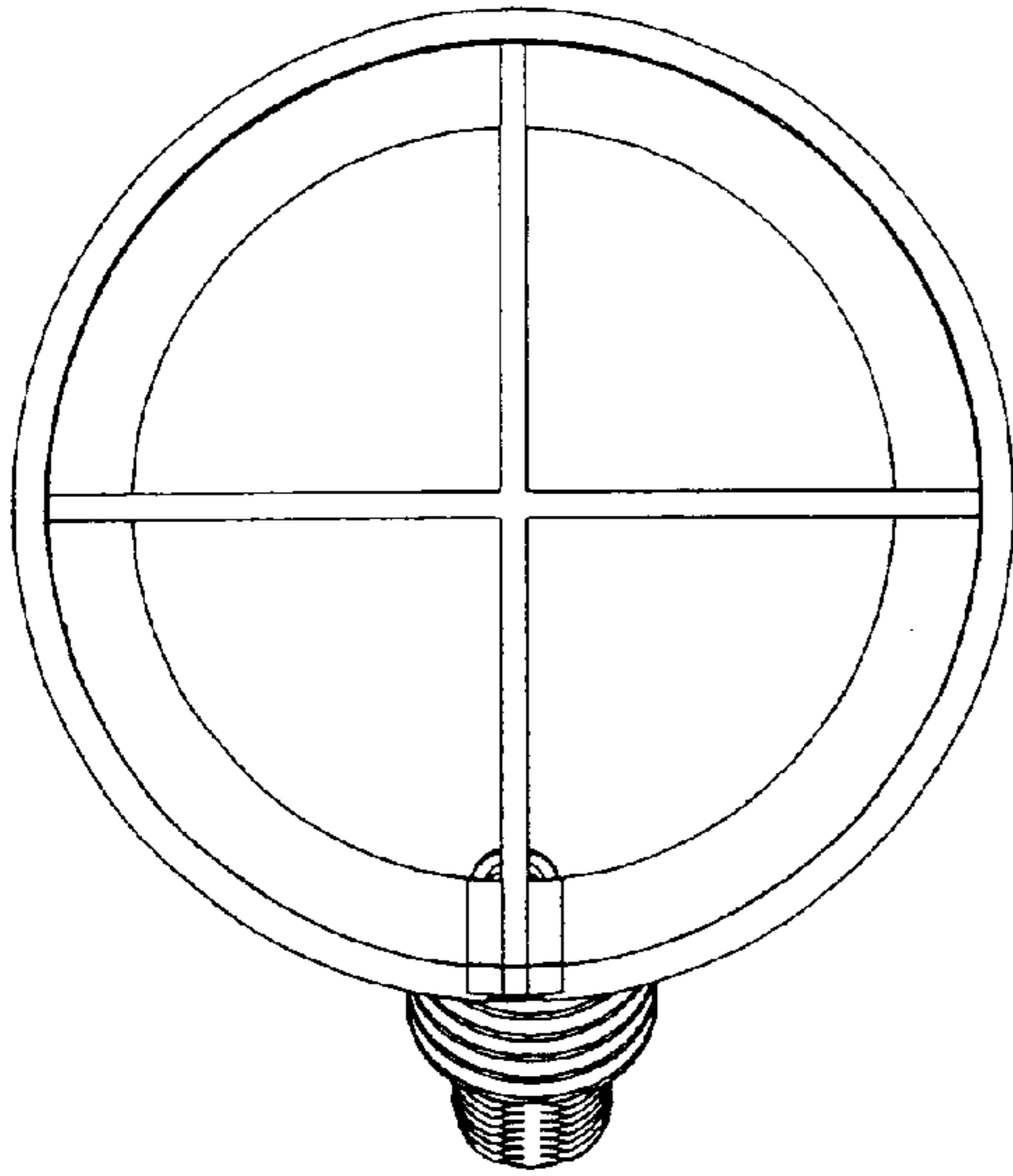


FIGURE 3

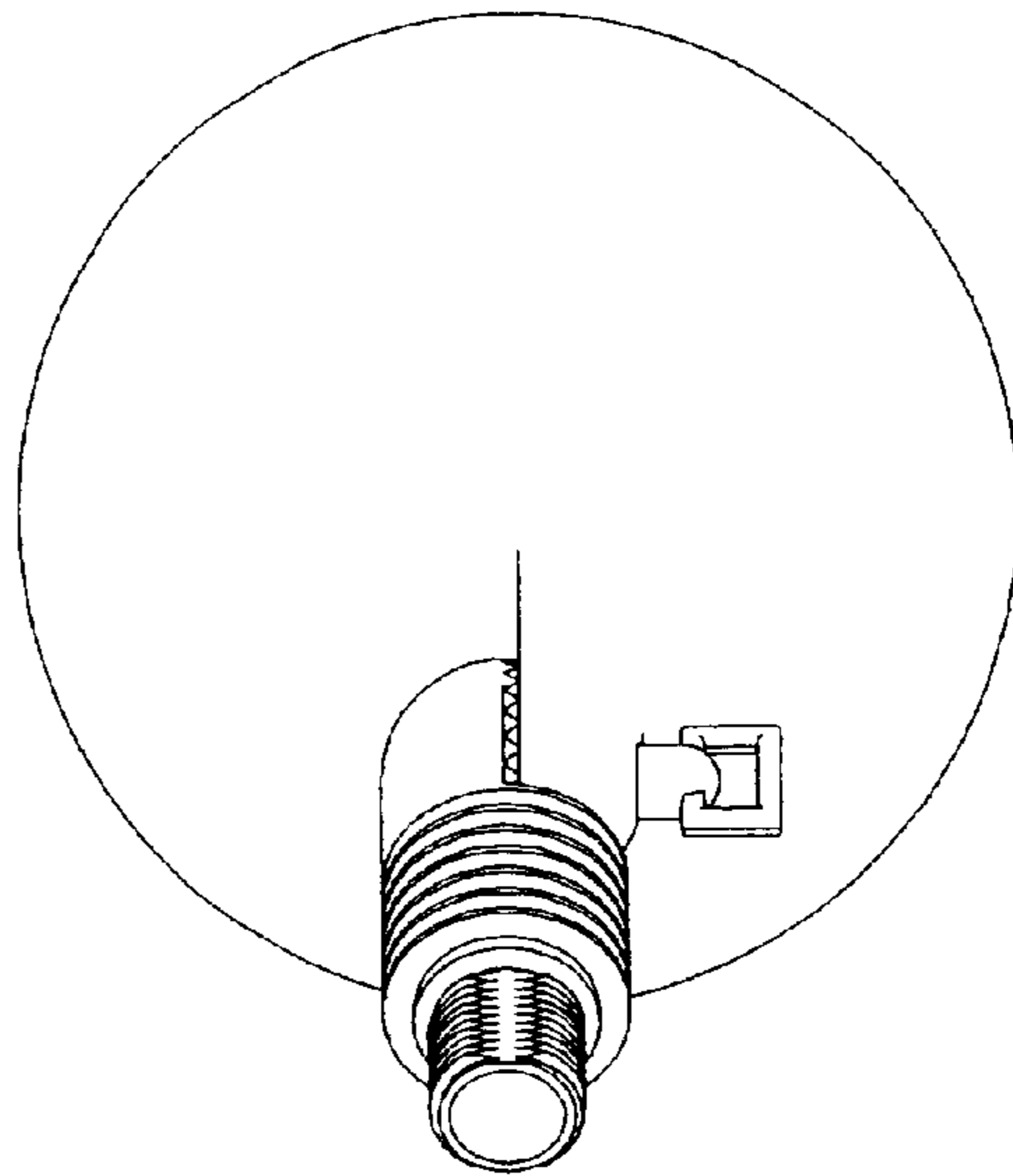


FIGURE 4

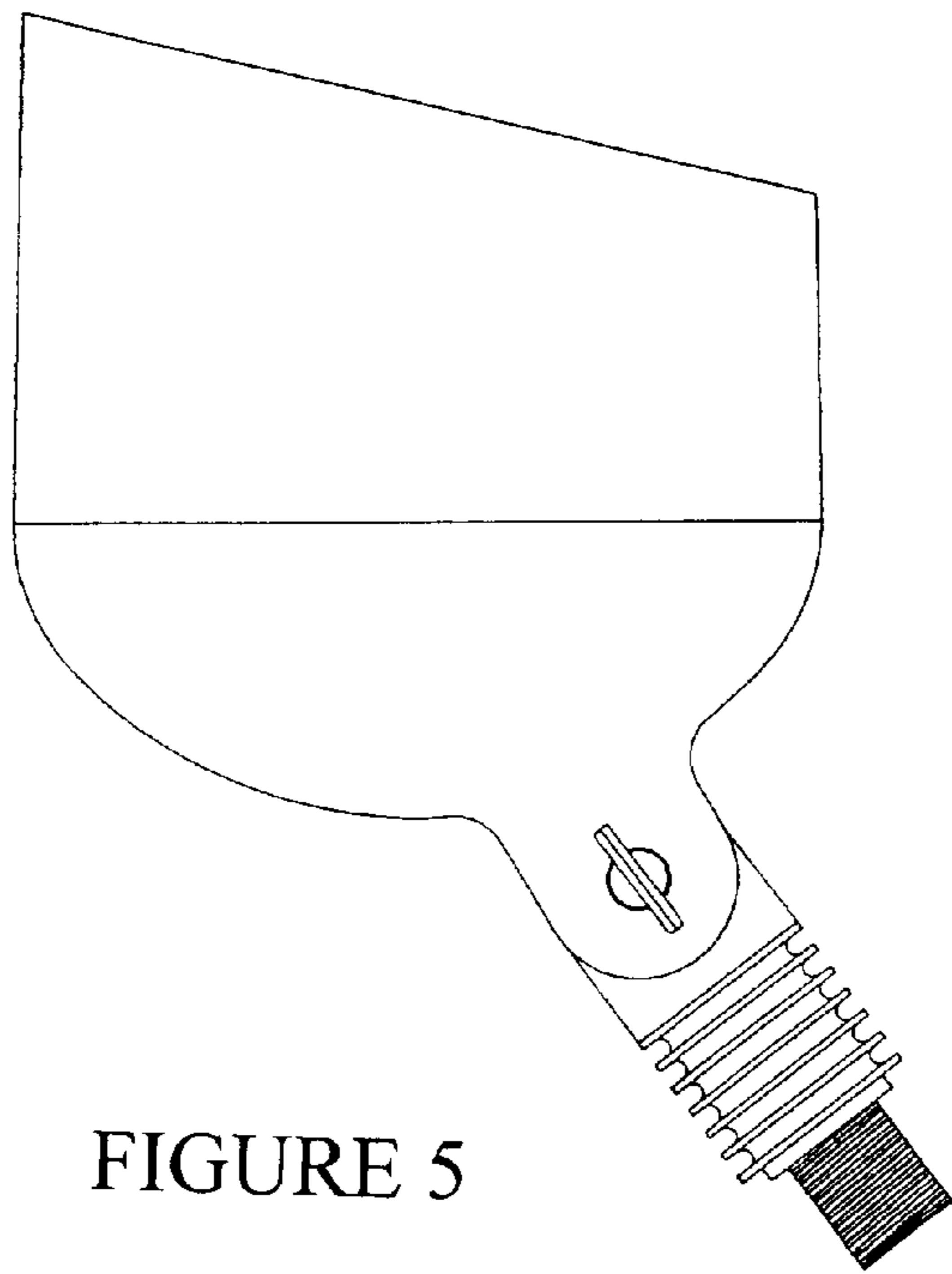


FIGURE 5

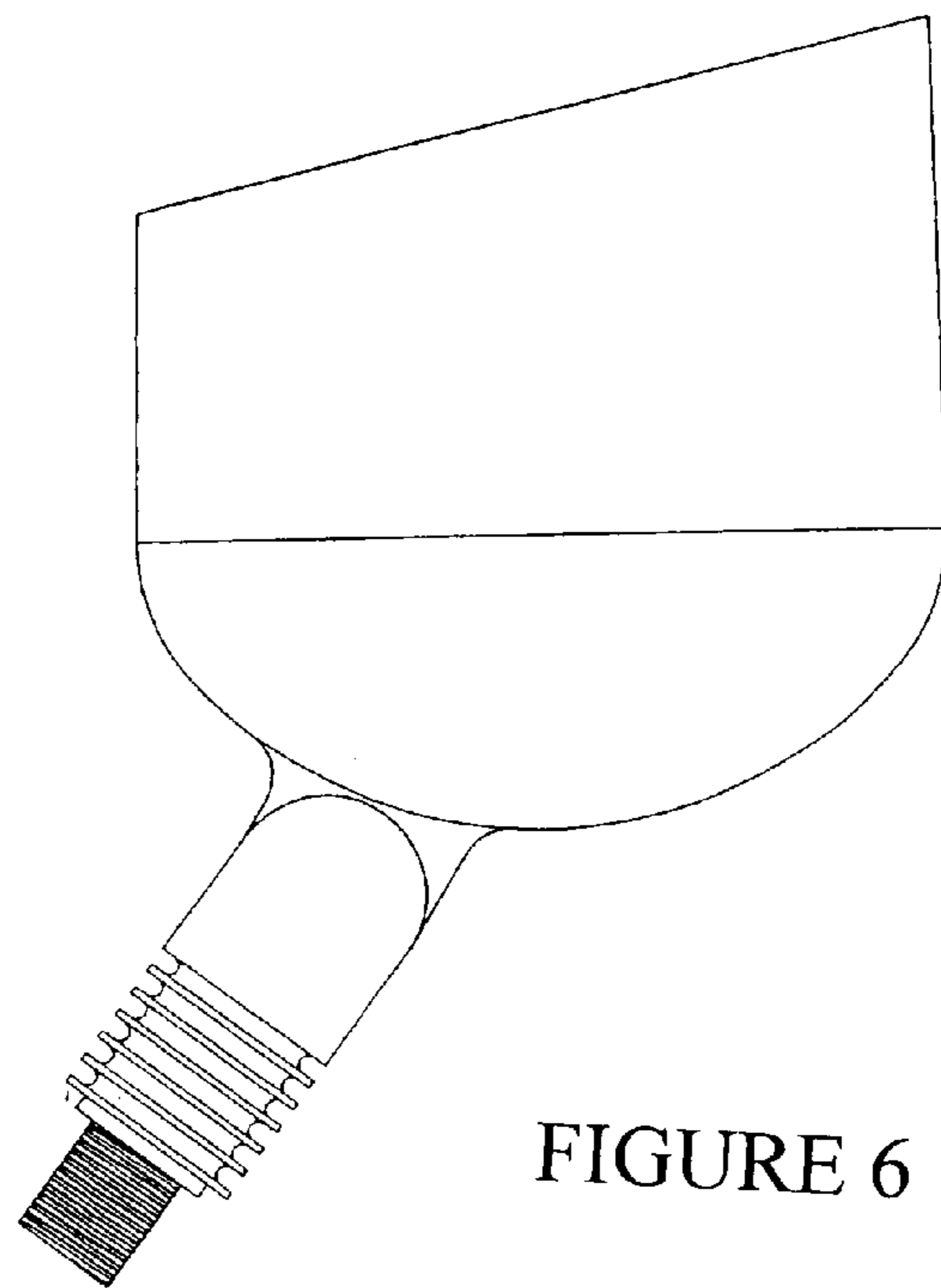


FIGURE 6