



US00D518908S

(12) **United States Design Patent**
Yuen

(10) **Patent No.:** **US D518,908 S**

(45) **Date of Patent:** **** Apr. 11, 2006**

(54) **RECHARGEABLE HALOGEN SEARCH LIGHT WITH AM/FM RADIO**

D430,323 S * 8/2000 Yuen 26/46
D453,047 S * 1/2002 Yuen D26/44
D485,628 S * 1/2004 Yuen D26/37
D494,297 S * 8/2004 Yuen D26/46

(76) Inventor: **Se Kit Yuen**, 6/F., Yau Lee Centre, 45 Hoi Yuen Road, Kwun Tong, Kowloon, Hong Kong (CN)

* cited by examiner

(**) Term: **14 Years**

Primary Examiner—Marcus A. Jackson

(21) Appl. No.: **29/225,853**

(57) **CLAIM**

(22) Filed: **Mar. 21, 2005**

The ornamental design for a rechargeable halogen search light with AM/FM radio, as shown and described.

(30) **Foreign Application Priority Data**

DESCRIPTION

Feb. 16, 2005 (HK) 0500327

FIG. 1 is a front view showing my new design.
FIG. 2 is a rear view thereof.
FIG. 3 is a side end view thereof.
FIG. 4 is other side view thereof.
FIG. 5 is a plan view thereof; and,
FIG. 6 is an underneath view thereof.
The surface(s) or portion(s) of the article not shown in the drawing or described in the specification form(s) no part of the claimed design.

(51) **LOC (8) Cl.** **26-02**

(52) **U.S. Cl.** **D26/46; D26/38**

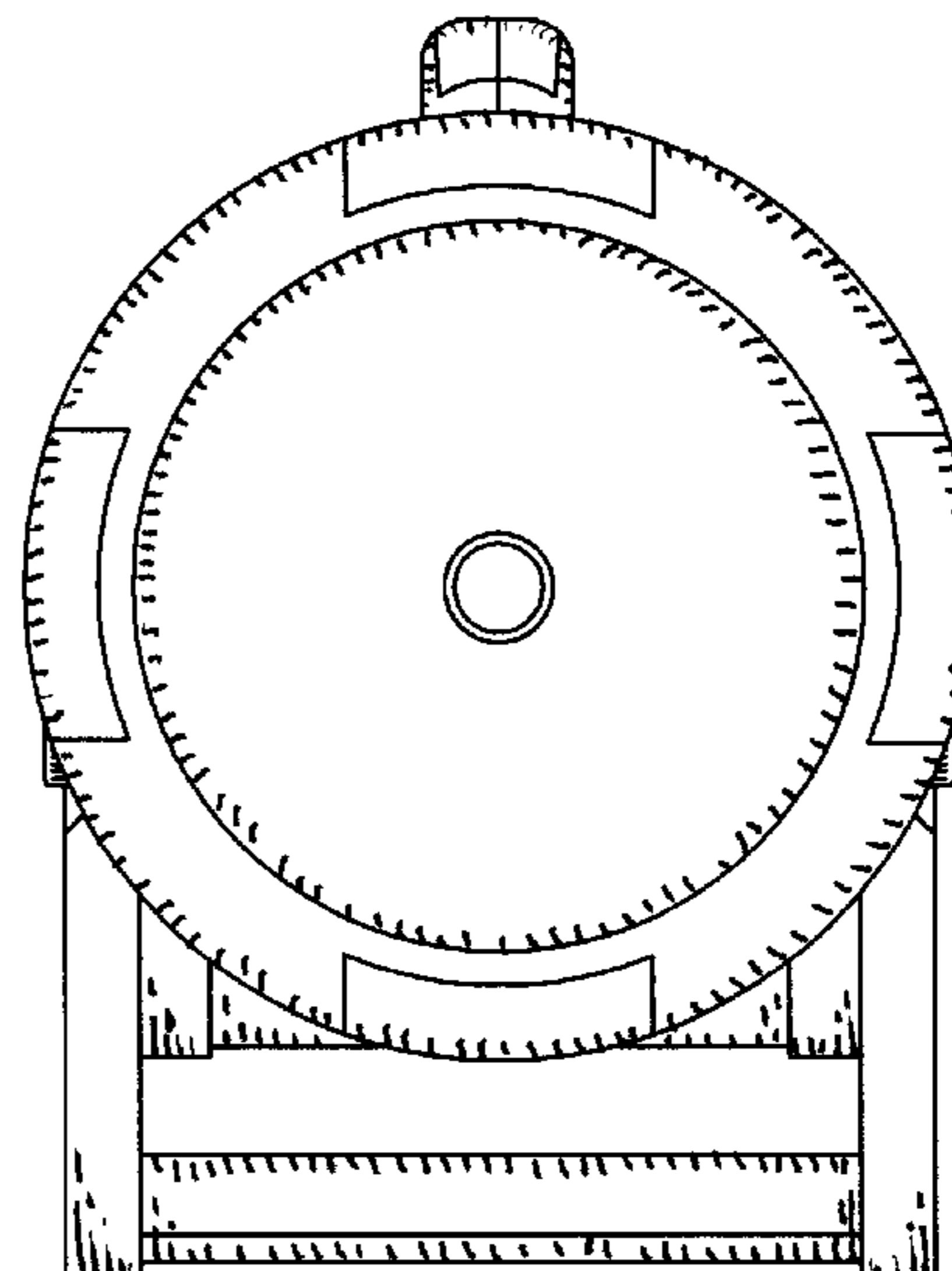
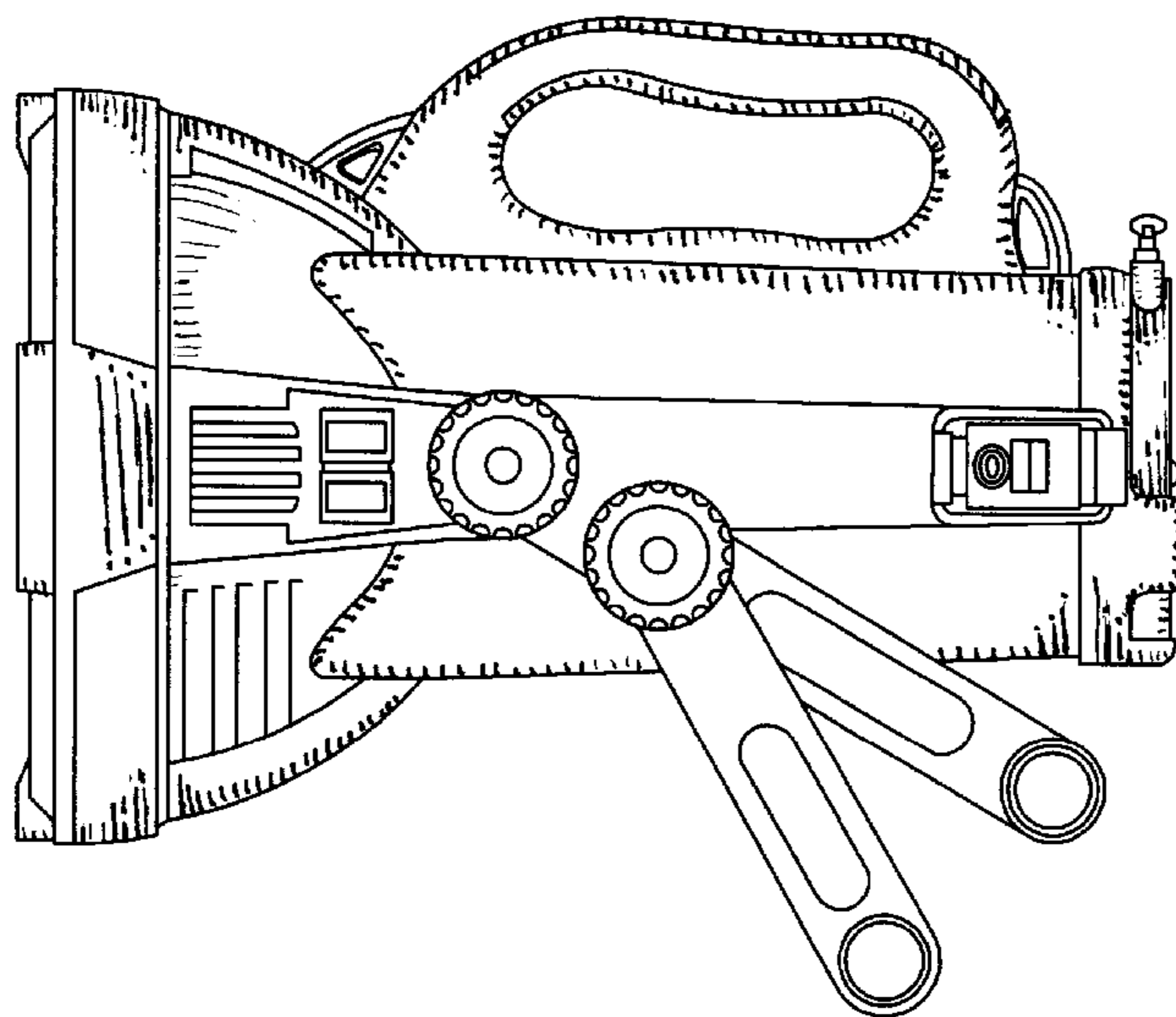
(58) **Field of Classification Search** D26/37-50;
362/157, 158, 171-174, 183-208
See application file for complete search history.

(56) **References Cited**

U.S. PATENT DOCUMENTS

D425,229 S * 5/2000 Poon D26/46

1 Claim, 6 Drawing Sheets



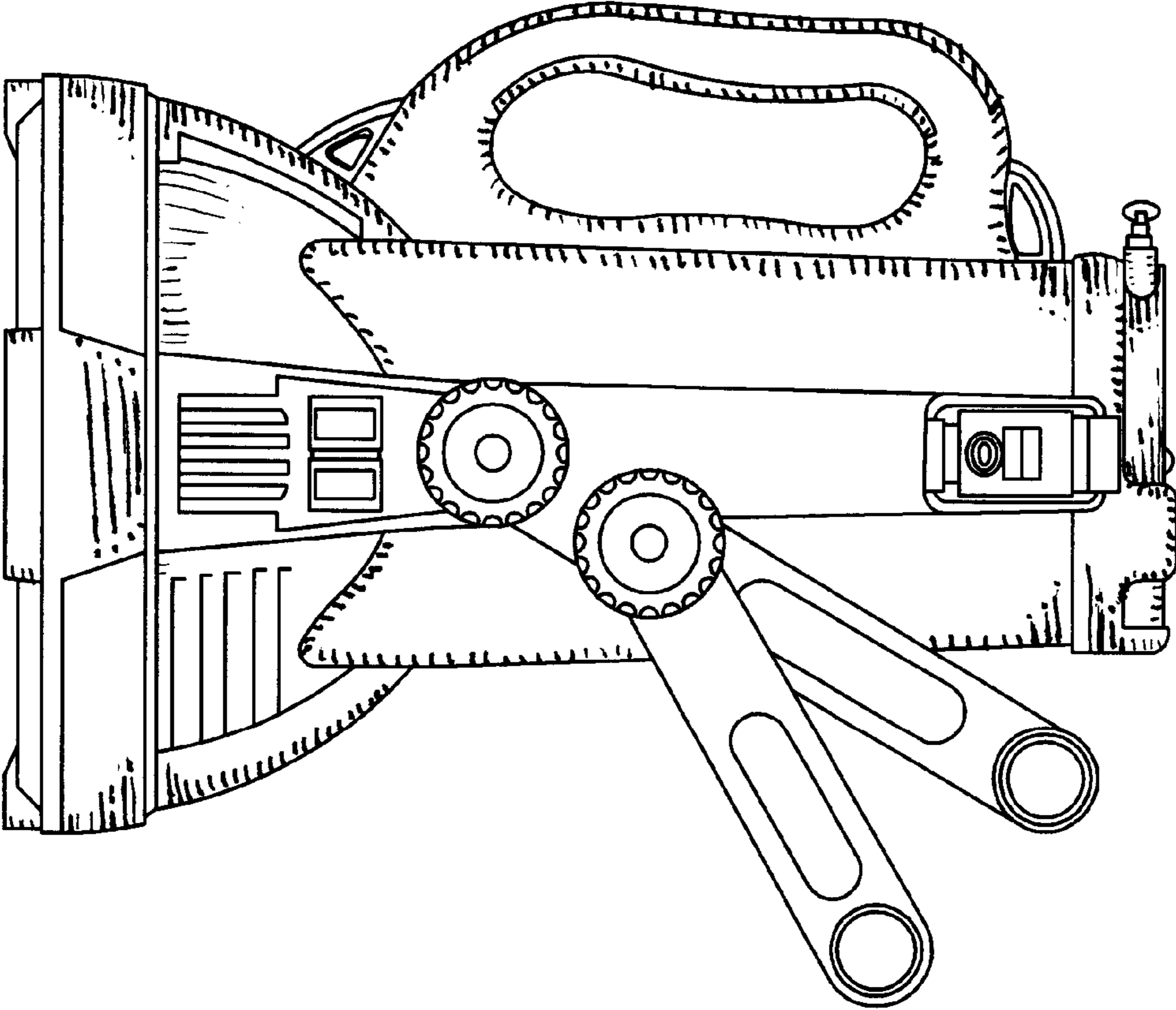


FIG. 1

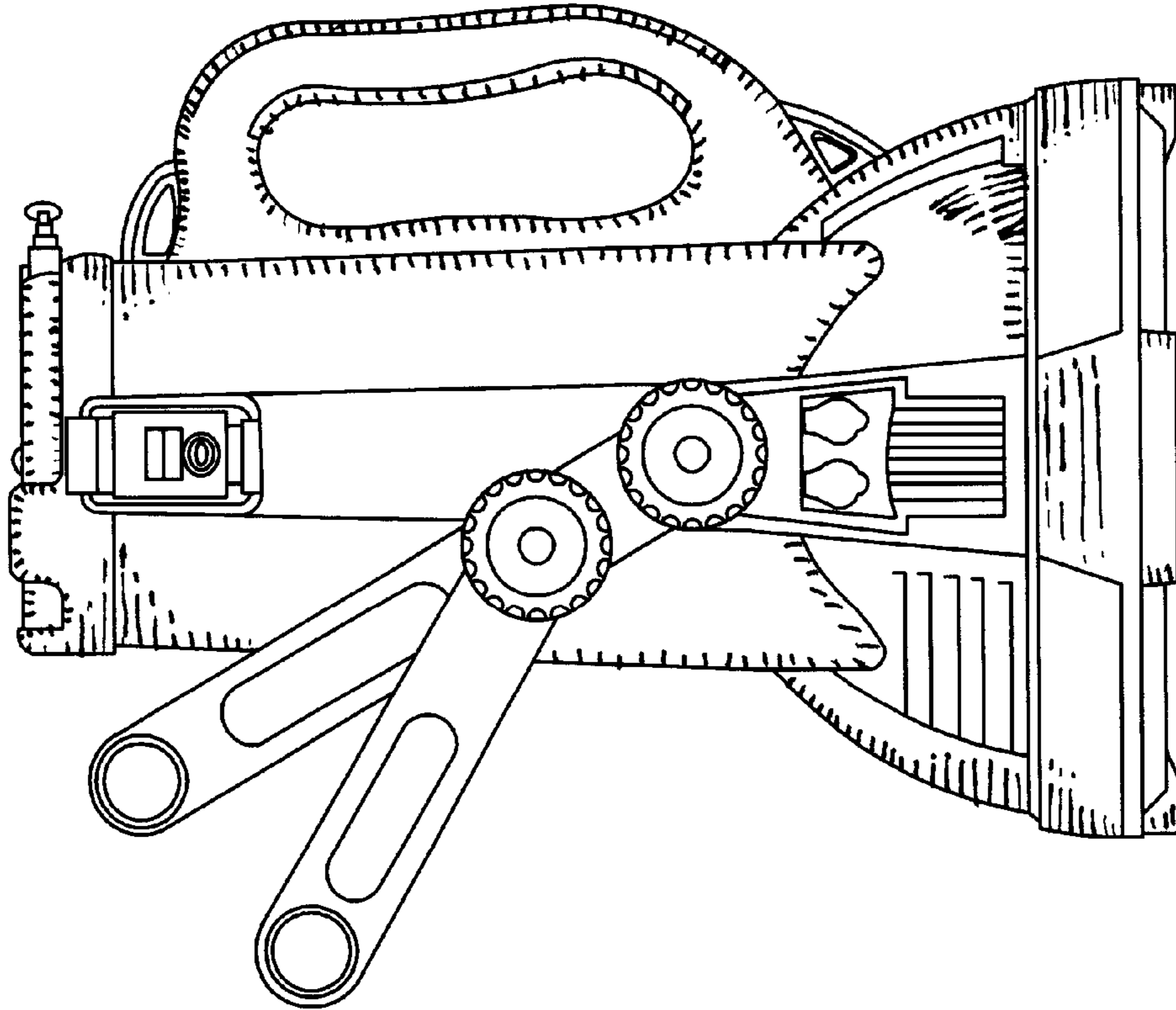


FIG. 2

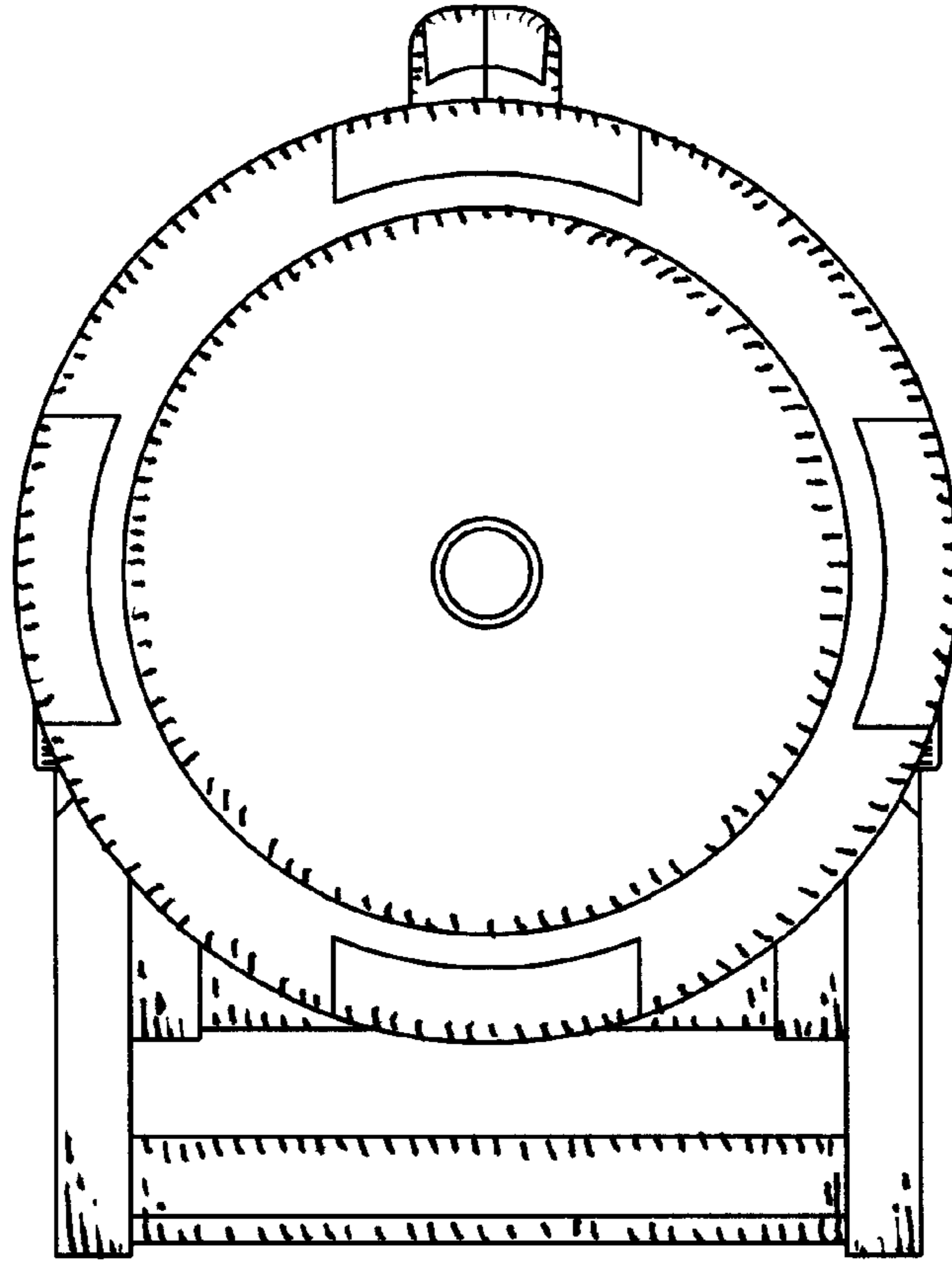


FIG. 3

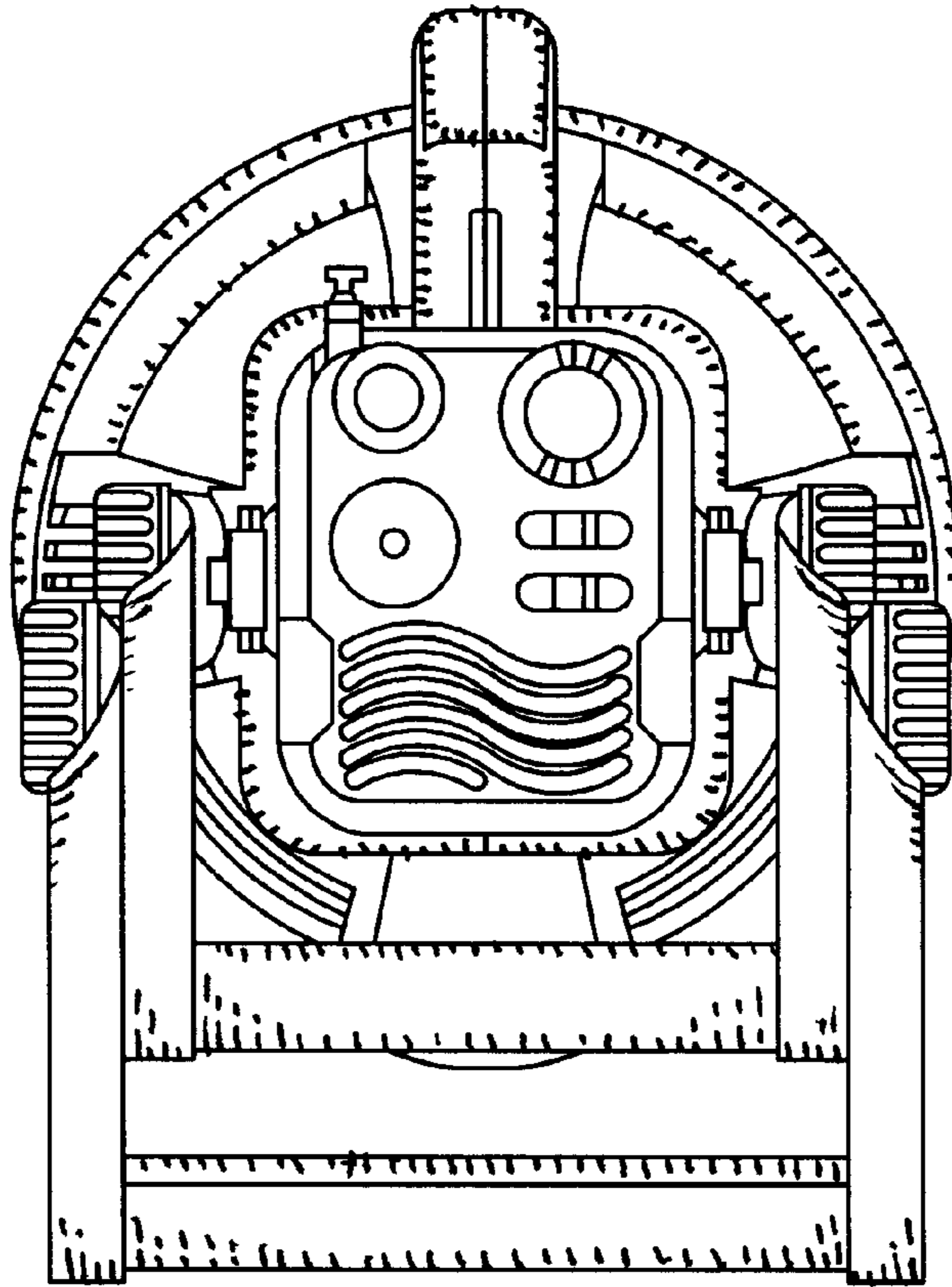


FIG. 4

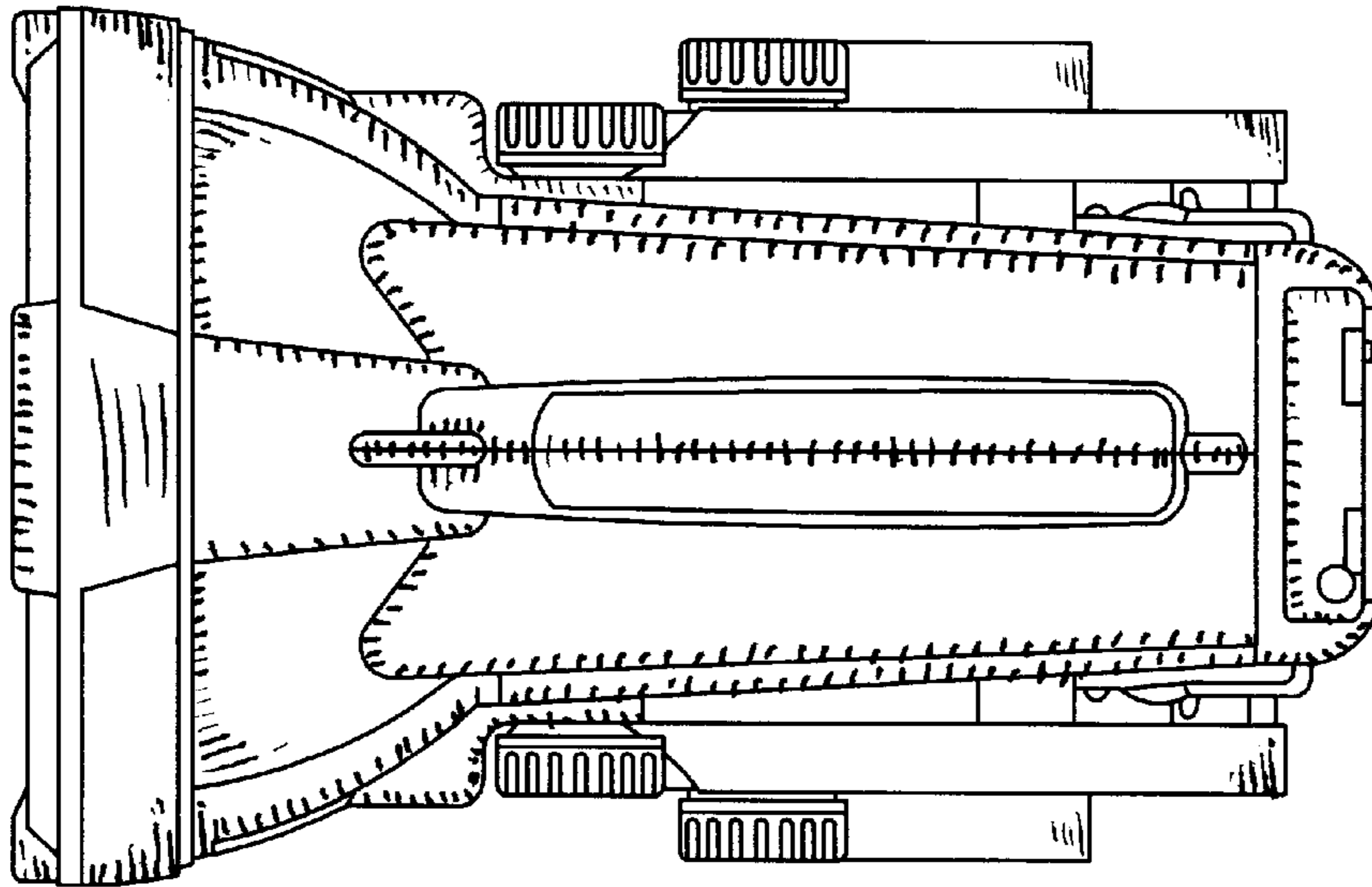


FIG. 5

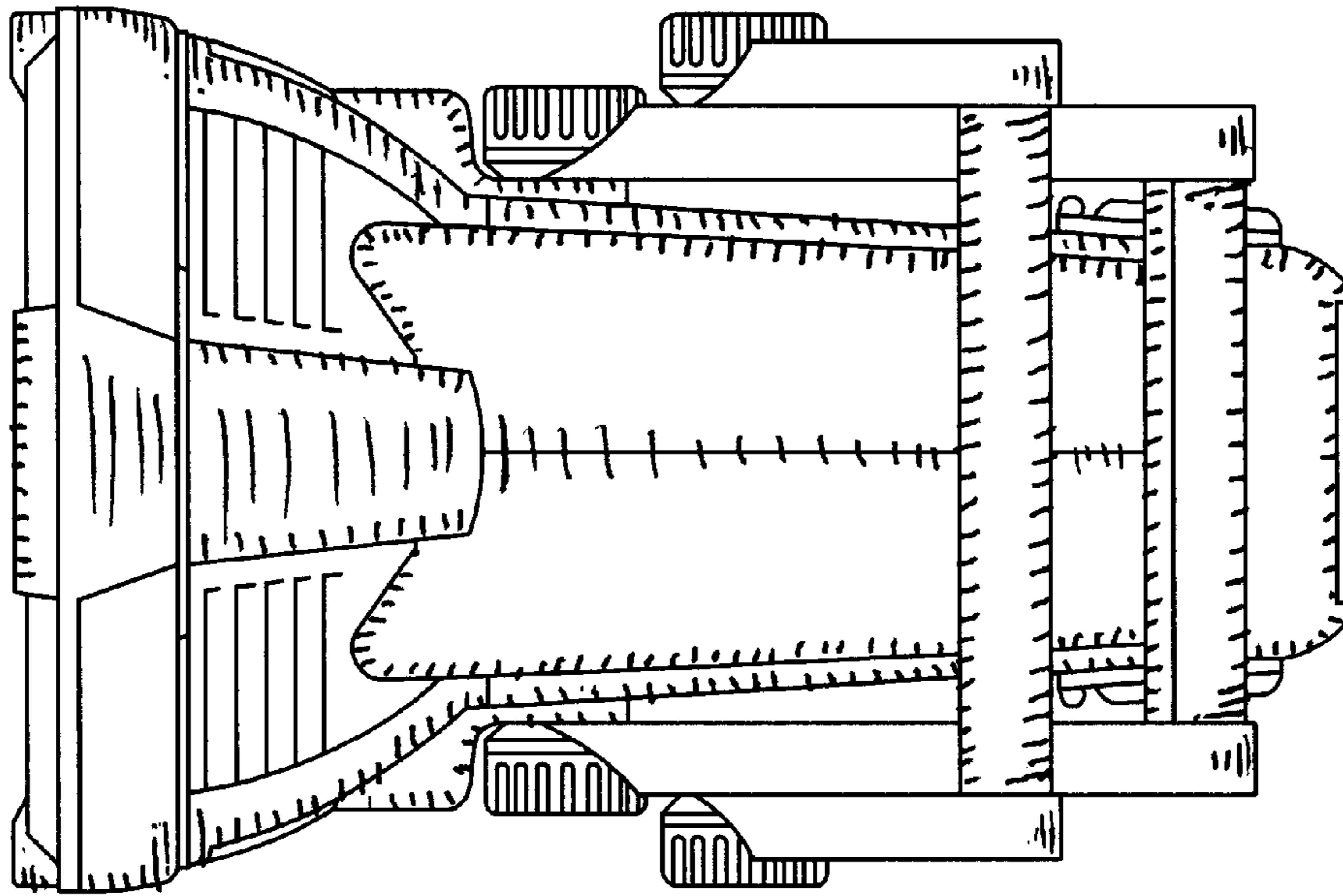


FIG. 6