



US00D518899S

(12) **United States Design Patent**
Graffy et al.

(10) **Patent No.:** **US D518,899 S**
(45) **Date of Patent:** **** Apr. 11, 2006**

(54) **PAIR OF ATTACHMENT BRACKETS**

(75) Inventors: **Thomas F. Graffy**, Paramount, CA (US); **Stepan Gevorkyan**, Paramount, CA (US)

(73) Assignee: **Topline Manufacturing, Inc.**, Paramount, CA (US)

(**) Term: **14 Years**

(21) Appl. No.: **29/208,889**

(22) Filed: **Jul. 7, 2004**

(51) **LOC (8) Cl.** **25-04**

(52) **U.S. Cl.** **D25/68**

(58) **Field of Classification Search** D25/68;
182/107, 108, 206, 97; 5/89.1, 662
See application file for complete search history.

(56) **References Cited**

U.S. PATENT DOCUMENTS

- 5,833,028 A * 11/1998 Ramsey et al. 182/129
- D408,556 S * 4/1999 Ruiz D25/68
- 6,276,490 B1 * 8/2001 Swanick, Jr. 182/107

* cited by examiner

Primary Examiner—Doris Clark

(74) *Attorney, Agent, or Firm*—Edgar W. Averill, Jr.; Kenneth L. Green

(57) **CLAIM**

We claim, the ornamental design for a pair of attachment brackets, as shown and described.

DESCRIPTION

FIG. 1 is a perspective view of the attachment brackets of the present invention showing a bunk bed and a ladder in phantom view, for illustrative purposes only and form no part of the claimed design.

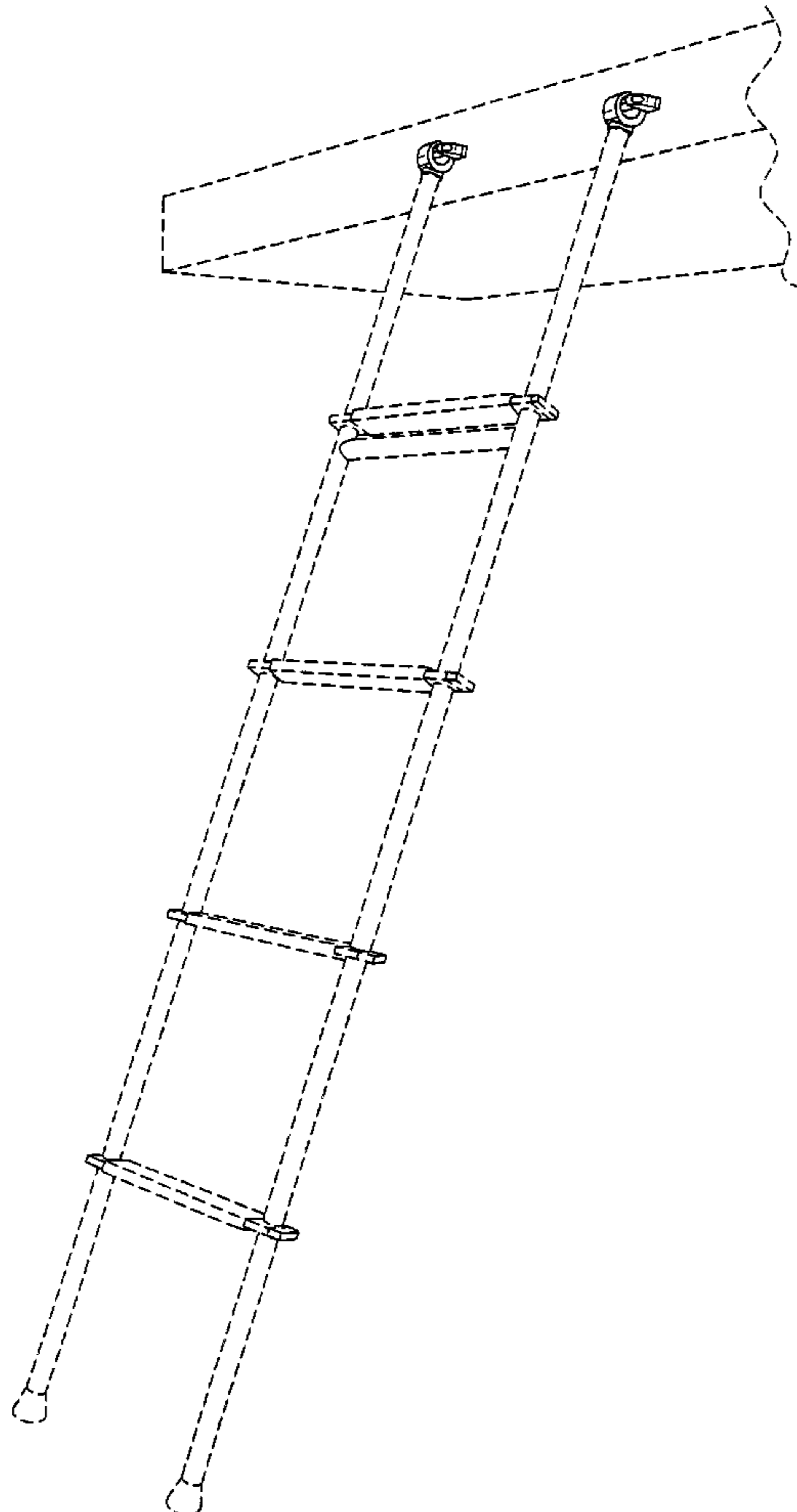
FIG. 2 is a perspective view showing the top and left side of one of the pair of attachment, the C-shaped bracket thereof having the same appearance from the front as from the back.

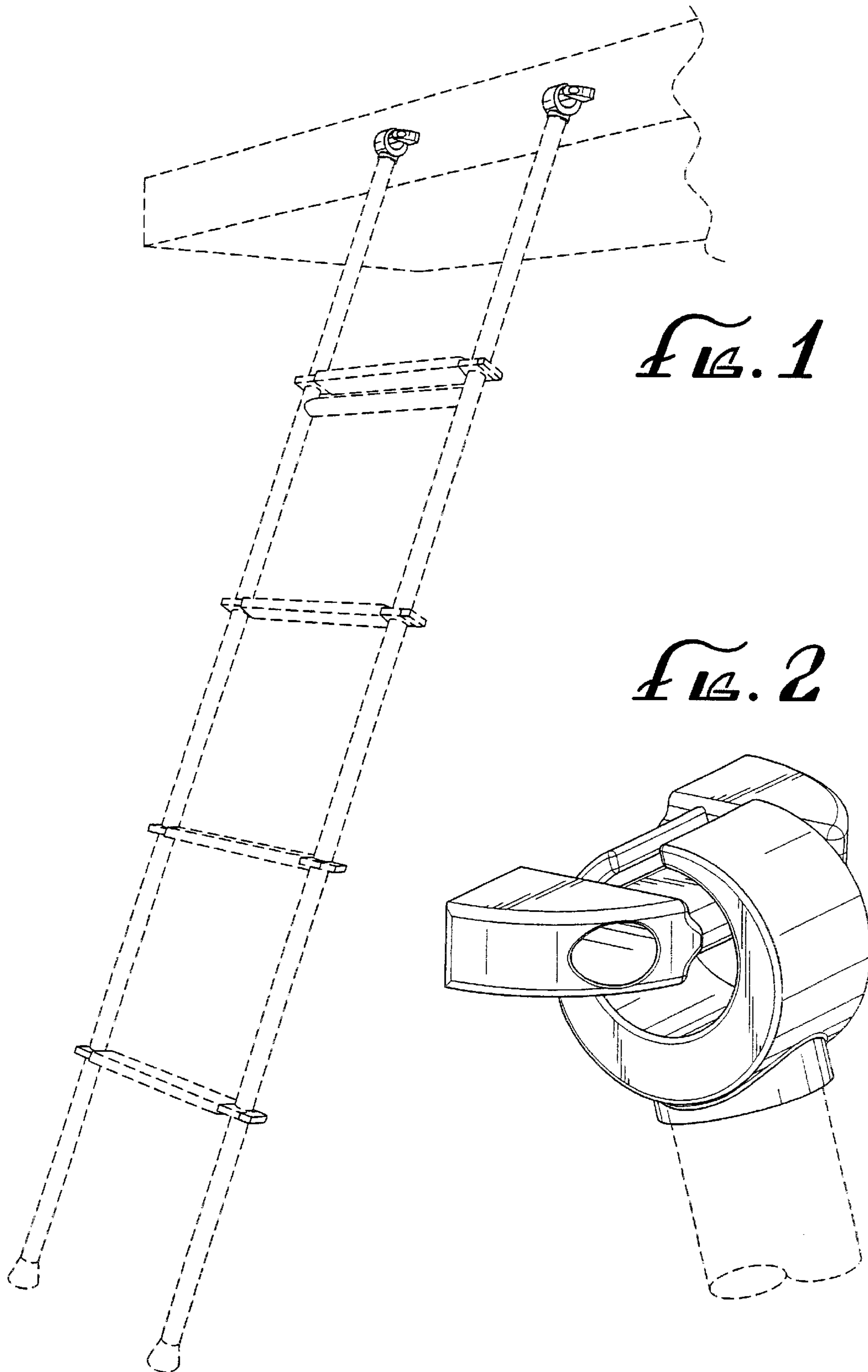
FIG. 3 is a perspective view showing the top and right side of one of the pair of attachment brackets of FIG. 2.

FIG. 4 is a perspective view showing the top and right side of the inner bracket portion of the present invention; and,

FIG. 5 is a perspective view showing the left side and bottom of the inner bracket portion of FIG. 4.

1 Claim, 2 Drawing Sheets





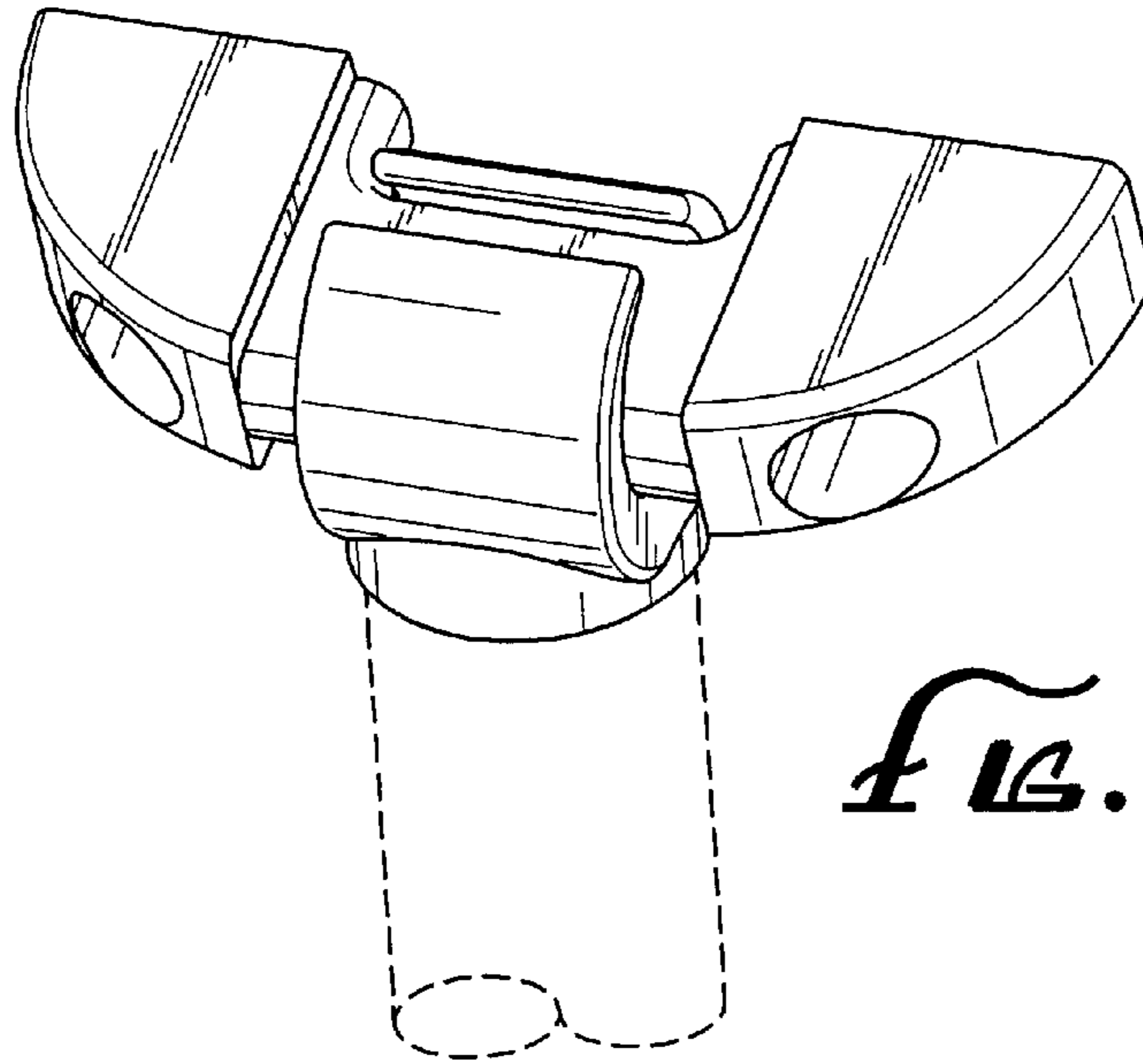


FIG. 3

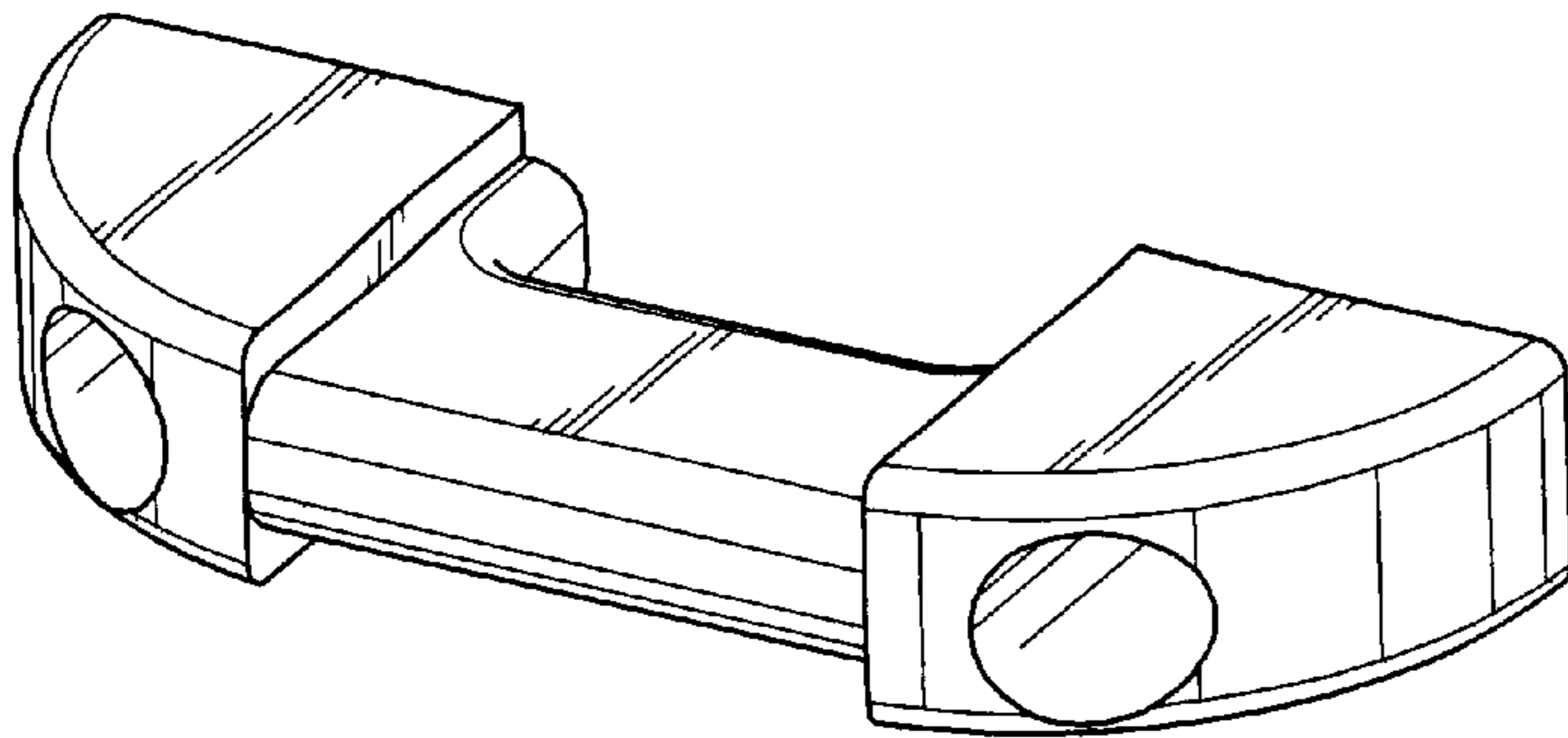


FIG. 4

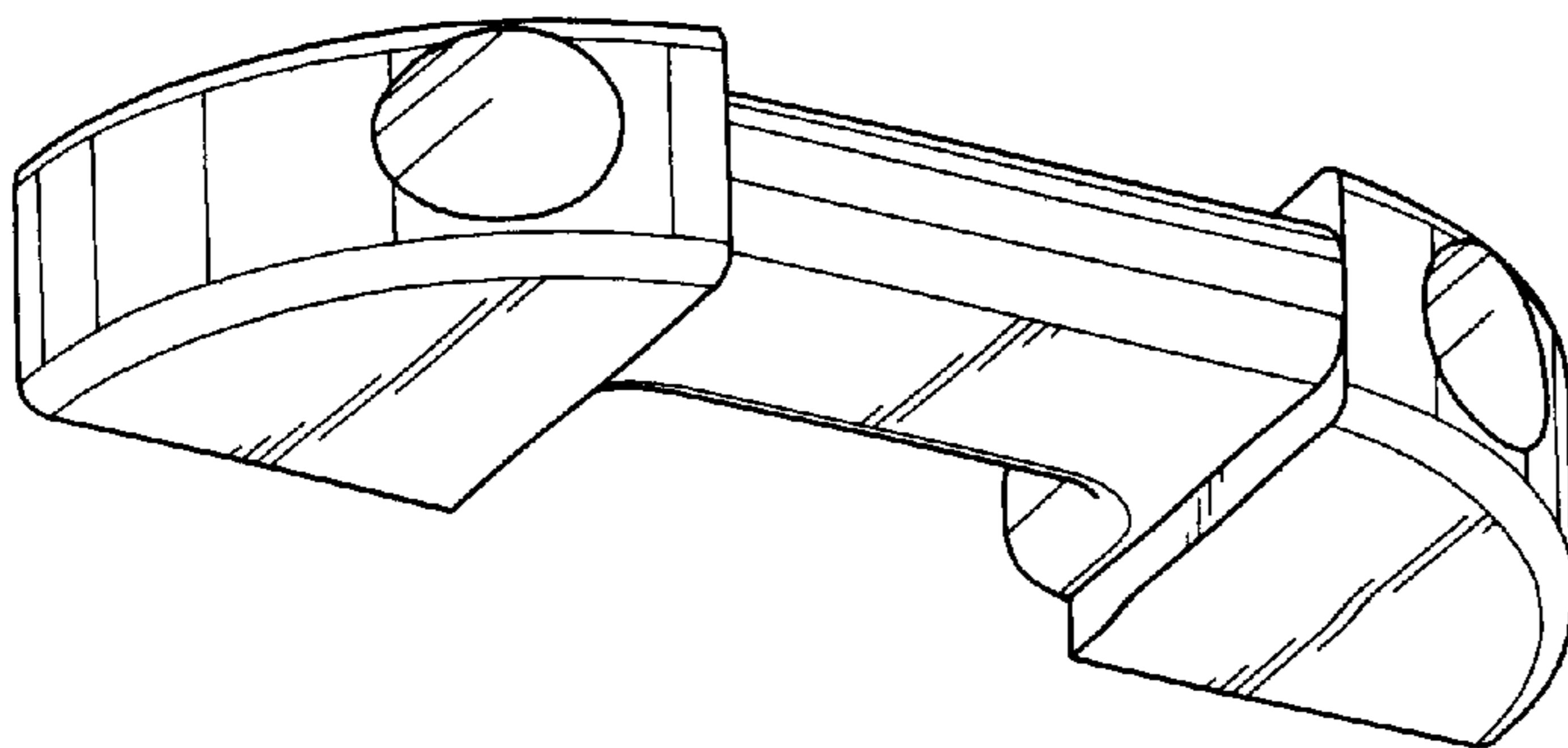


FIG. 5