

US00D518897S

(12) **United States Design Patent** (10) **Patent No.:** **US D518,897 S**
Walker (45) **Date of Patent:** **** Apr. 11, 2006**

(54) **PICKET SPACER**
(75) Inventor: **Simon Walker**, Delta (CA)
(73) Assignee: **Peak Innovations Inc.**, British Columbia (CA)
(**) Term: **14 Years**
(21) Appl. No.: **29/207,203**
(22) Filed: **Jun. 10, 2004**
(30) **Foreign Application Priority Data**
Dec. 11, 2003 (CA) 105188
(51) **LOC (8) Cl.** **25-02**
(52) **U.S. Cl.** **D25/38**
(58) **Field of Classification Search** D25/38;
256/1, 22, 34, 65.01
See application file for complete search history.

(56) **References Cited**
U.S. PATENT DOCUMENTS
7,774 A 11/1850 Krauser et al.
328,392 A * 10/1885 Dudley 256/24
5,131,630 A * 7/1992 Nash 256/12.5
6,254,064 B1 7/2001 Gibbs
D451,205 S * 11/2001 Erwin D25/38

FOREIGN PATENT DOCUMENTS
CA 1223472 6/1987

CA 2387296 11/2002

* cited by examiner

Primary Examiner—Doris Clark

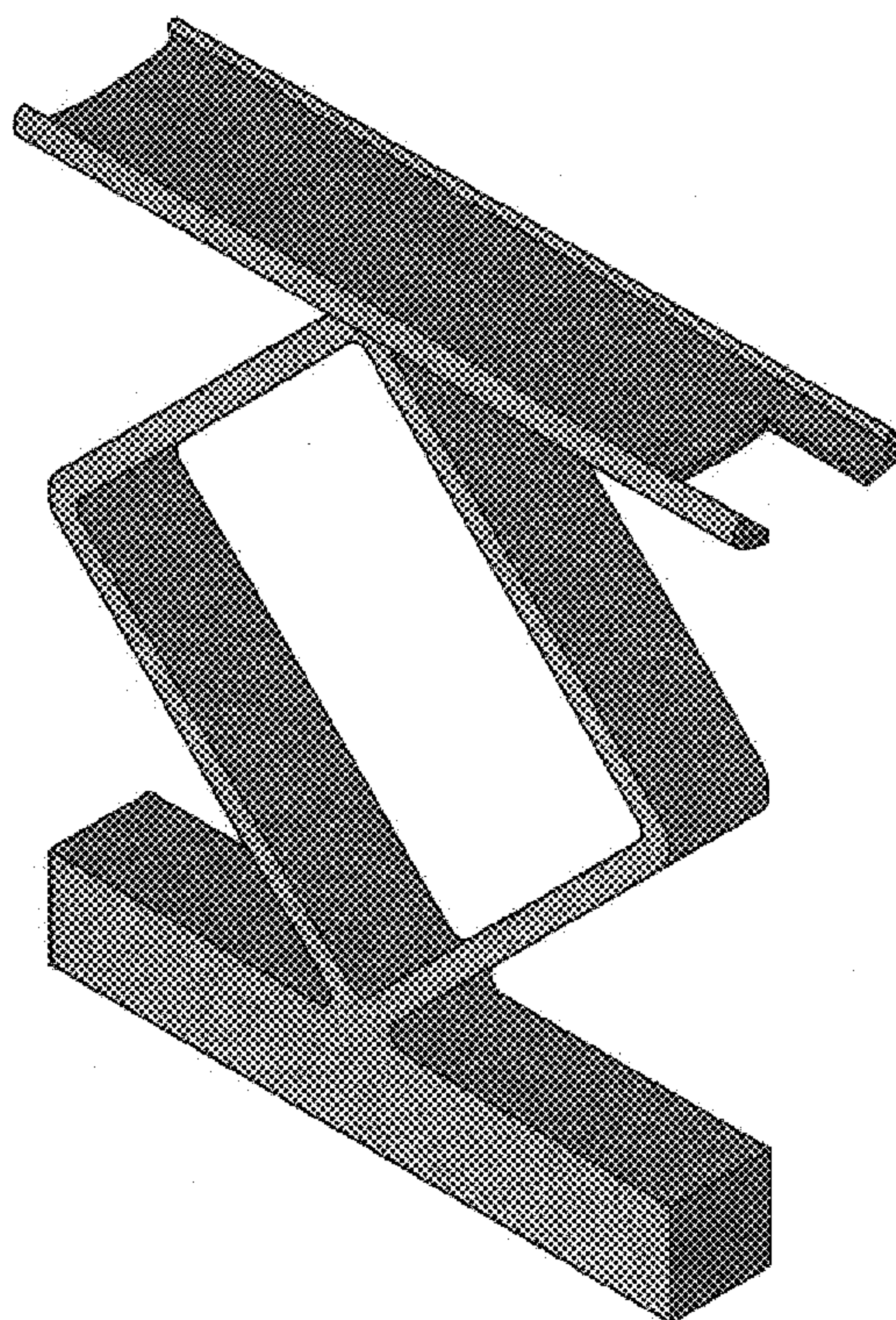
(57) **CLAIM**

The ornamental design for an picket spacer, as shown and described.

DESCRIPTION

FIG. 1 a top perspective view of a first embodiment of the picket spacer;
FIG. 2 is a top plan view of FIG. 1;
FIG. 3 is a front elevation of FIG. 1 wherein the front and rear elevations are identical;
FIG. 4 is a right side elevation of FIG. 1 wherein the right and left side elevations are identical;
FIG. 5 is a bottom plan view of FIG. 1;
FIG. 6 is a bottom perspective view of FIG. 1;
FIG. 7 is a perspective view of a second embodiment of the picket spacer wherein the second embodiment has a bottom rail portion removed;
FIG. 8 is a top plan view of FIG. 7;
FIG. 9 is a front elevation of FIG. 7 wherein the front and rear elevations are identical;
FIG. 10 is a right side elevation of FIG. 7 wherein the right and left side elevations are identical; and,
FIG. 11 is a bottom plan view of FIG. 7.

1 Claim, 5 Drawing Sheets



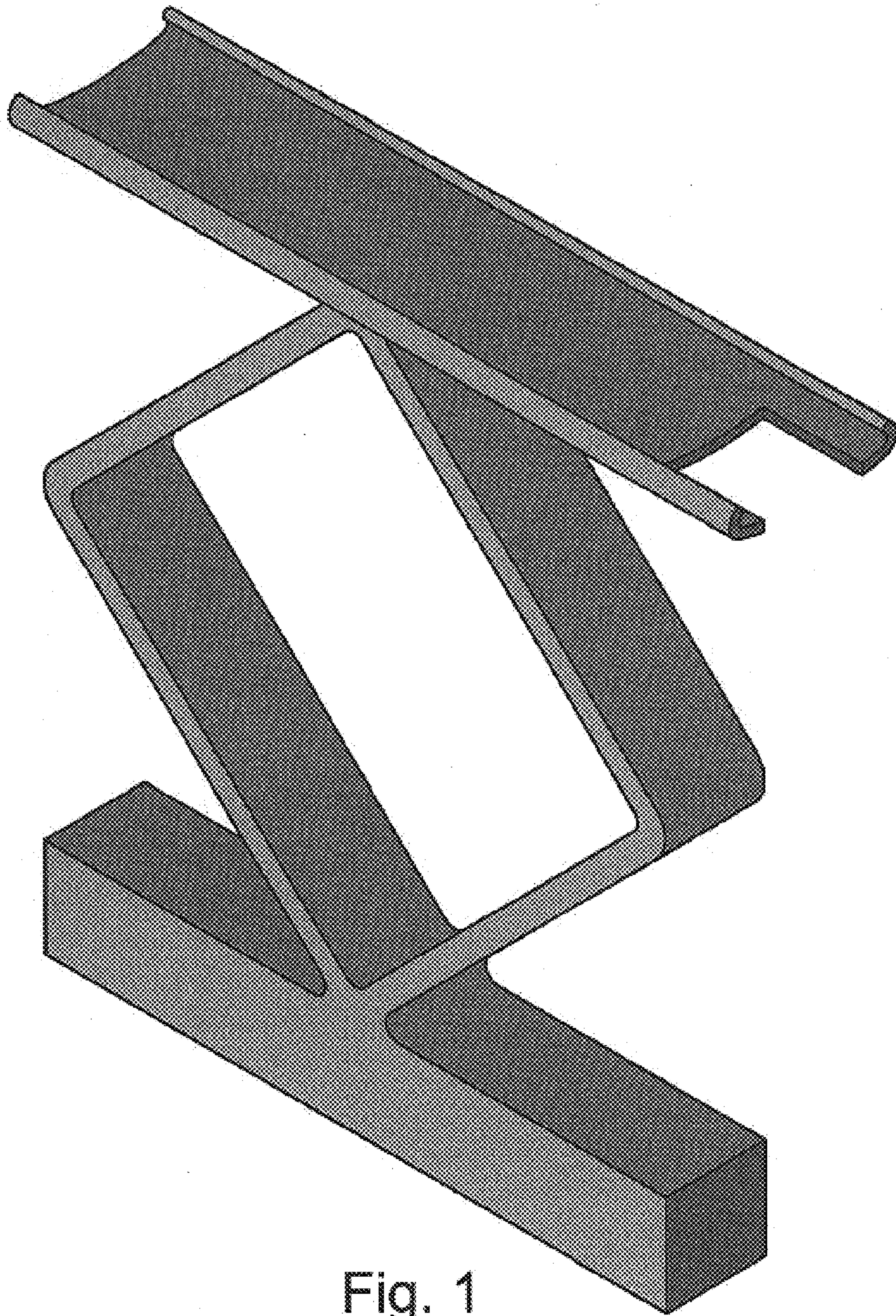


Fig. 1

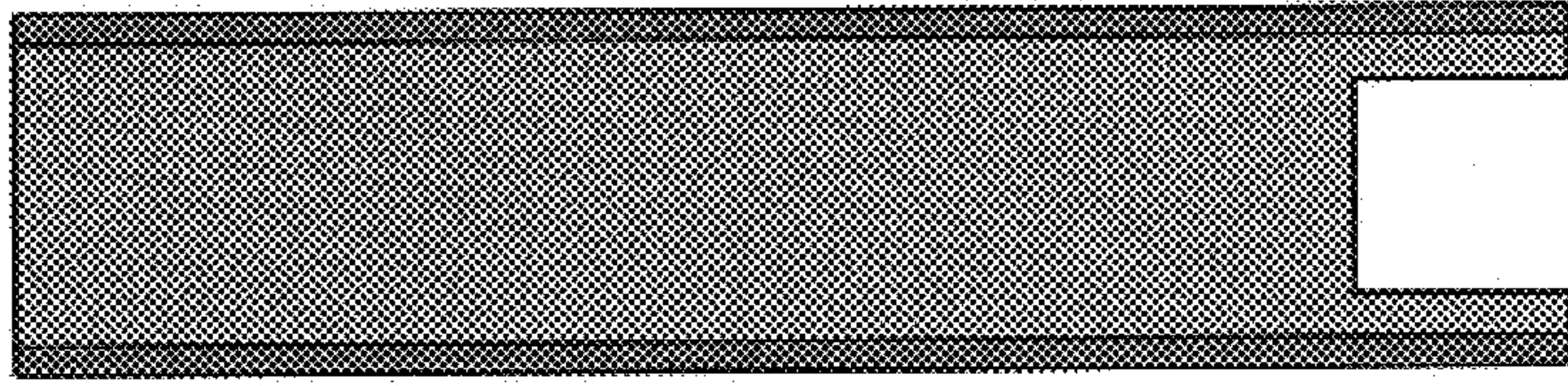


Fig. 2

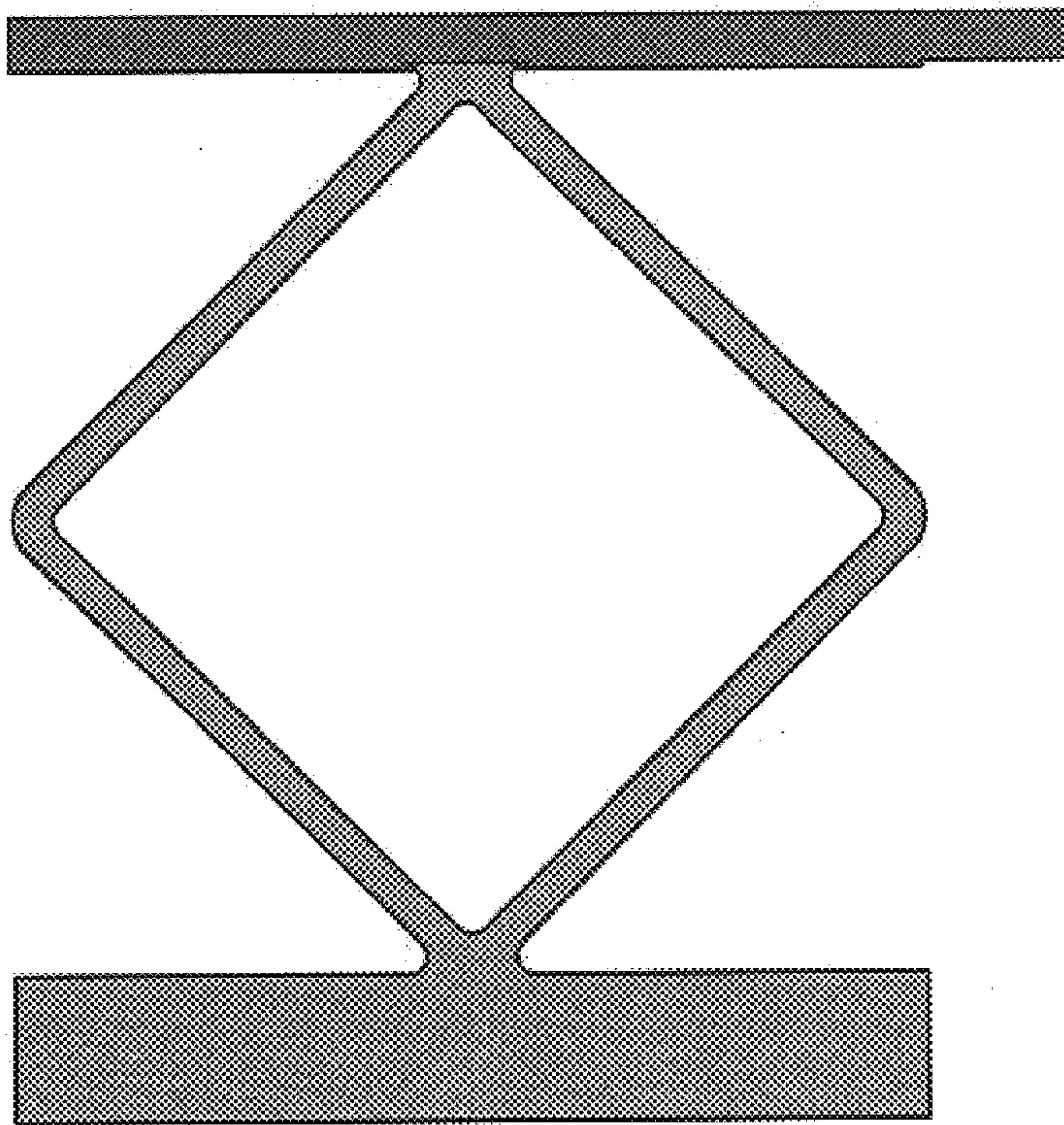


Fig. 3

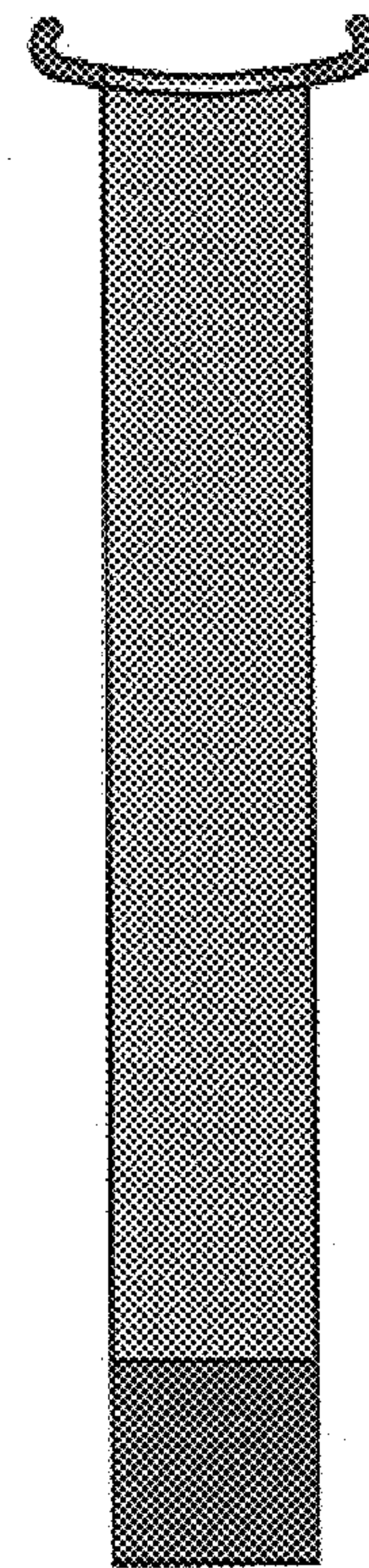


Fig. 4

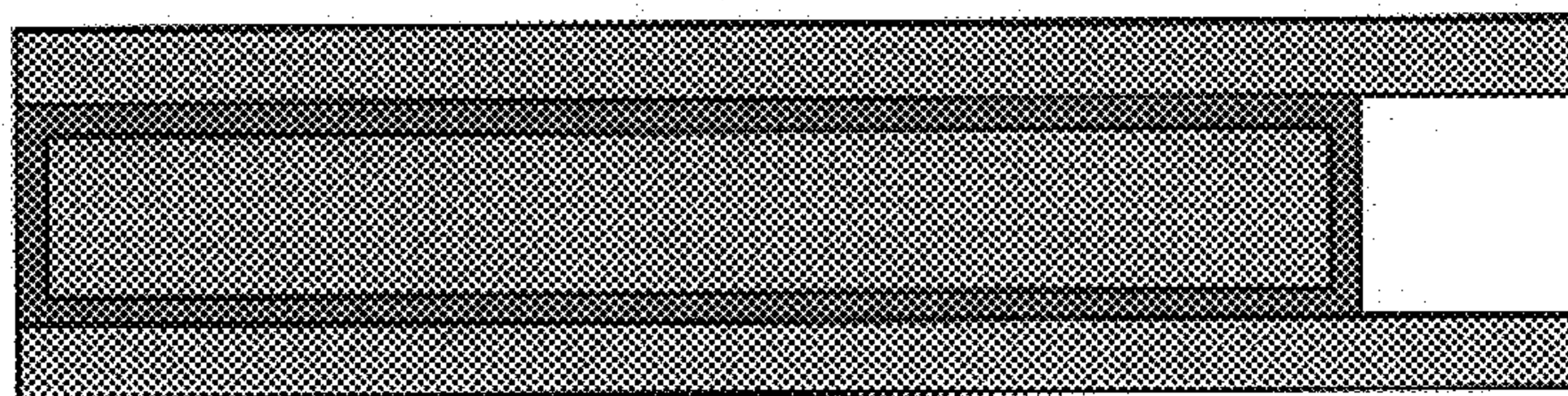


Fig. 5

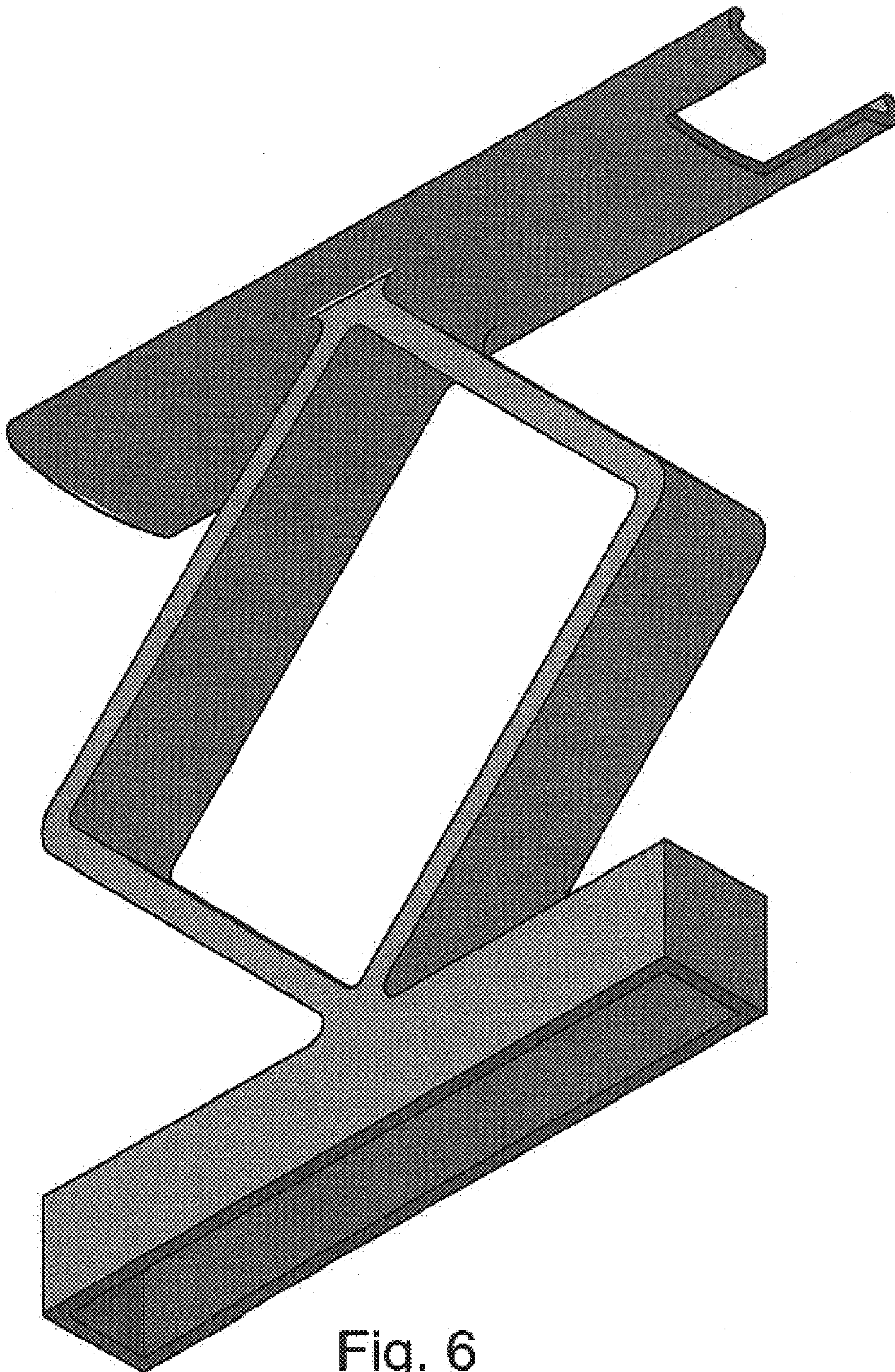


Fig. 6

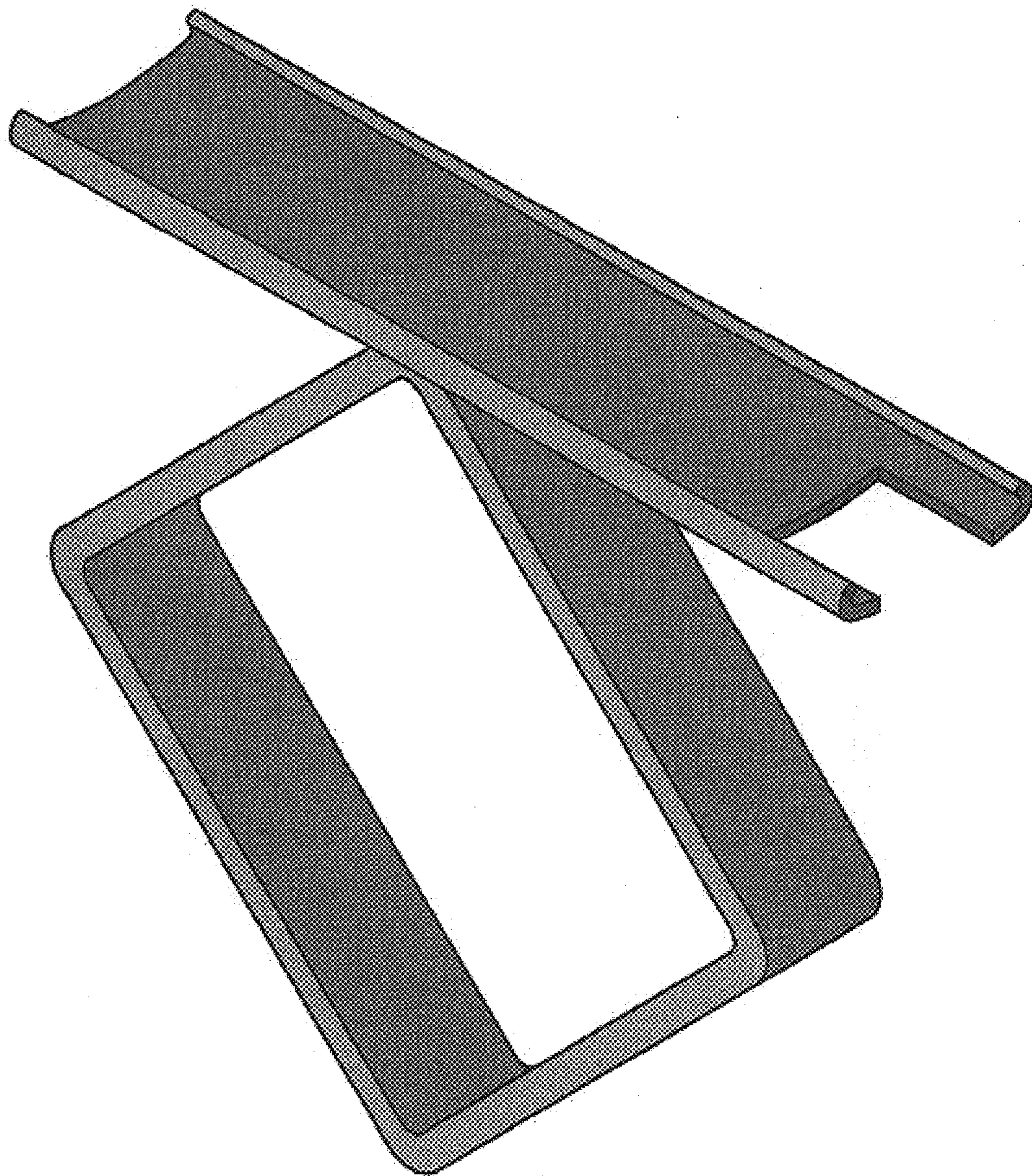


Fig. 7

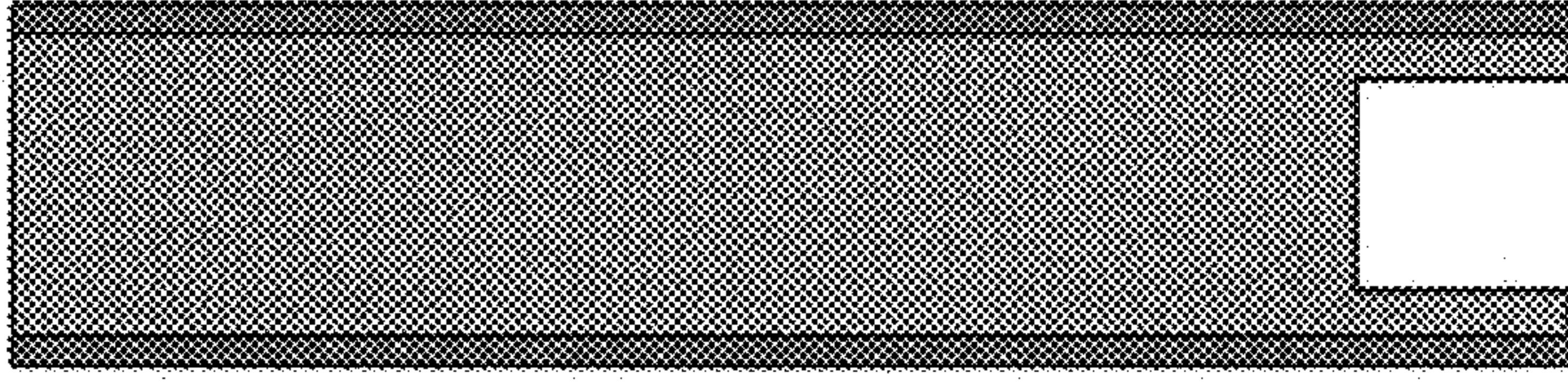


Fig. 8

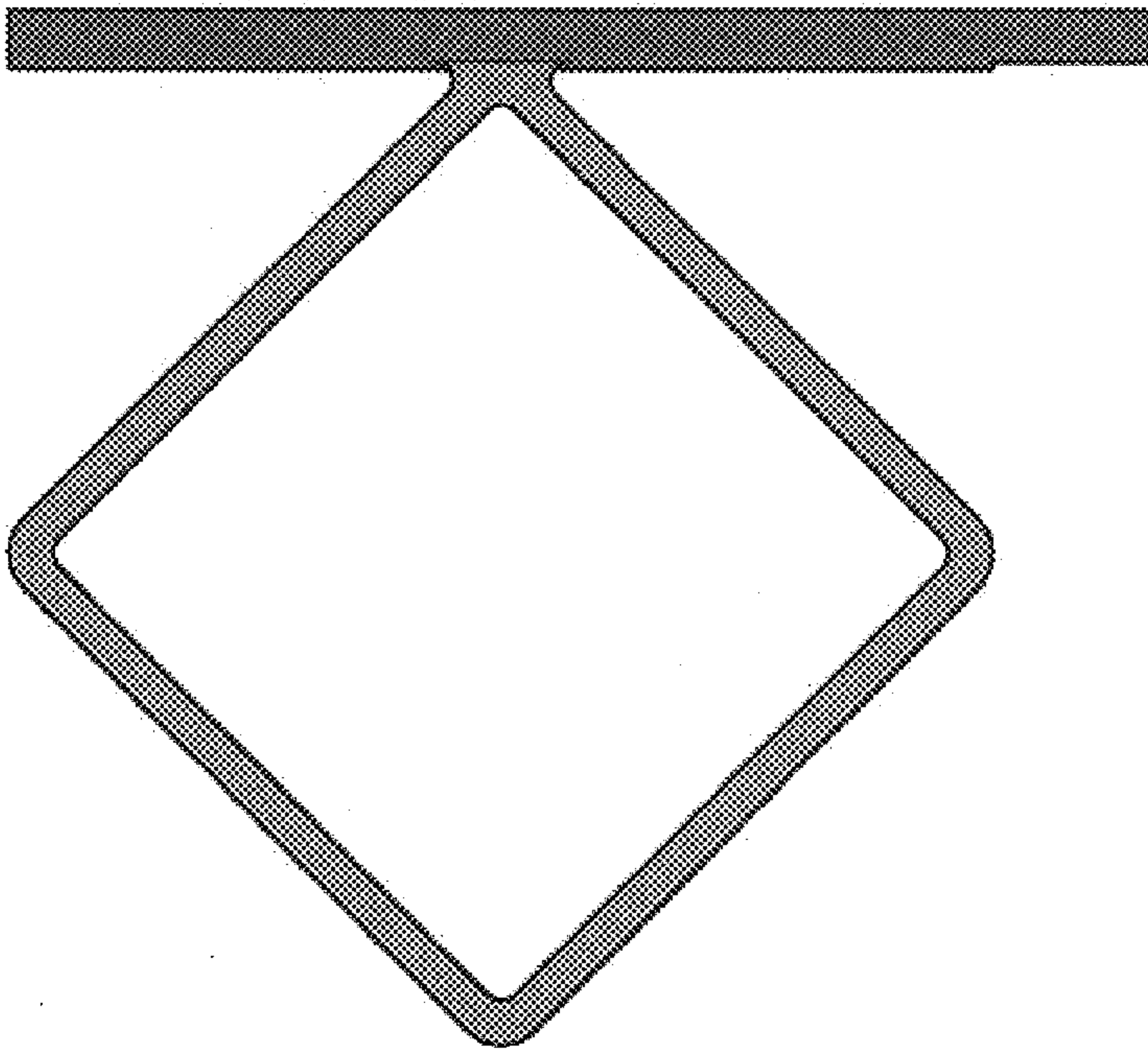


Fig. 9

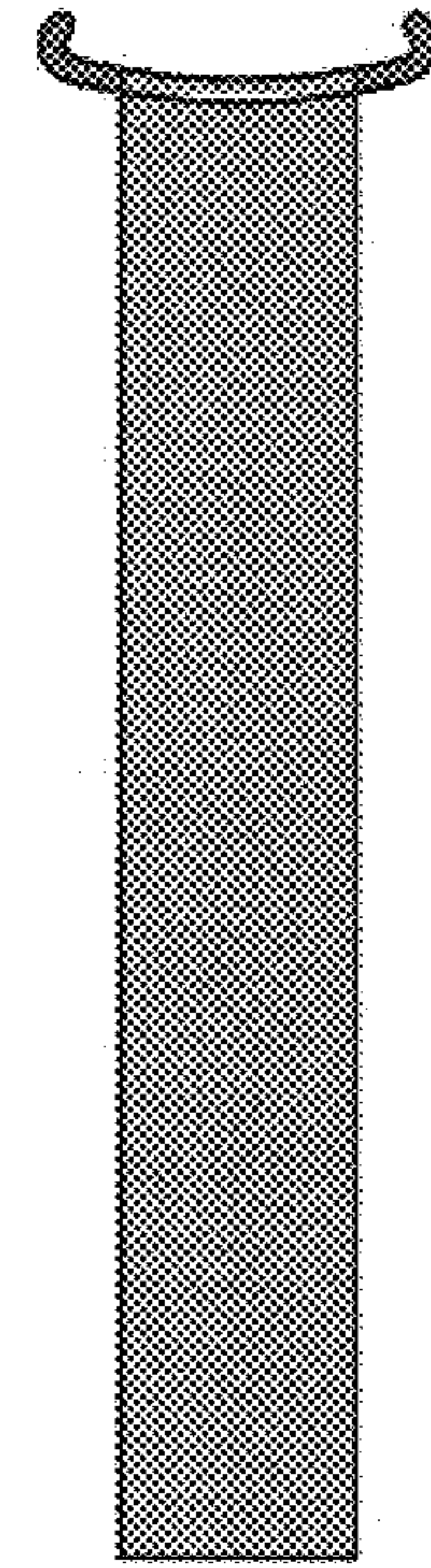


Fig. 10

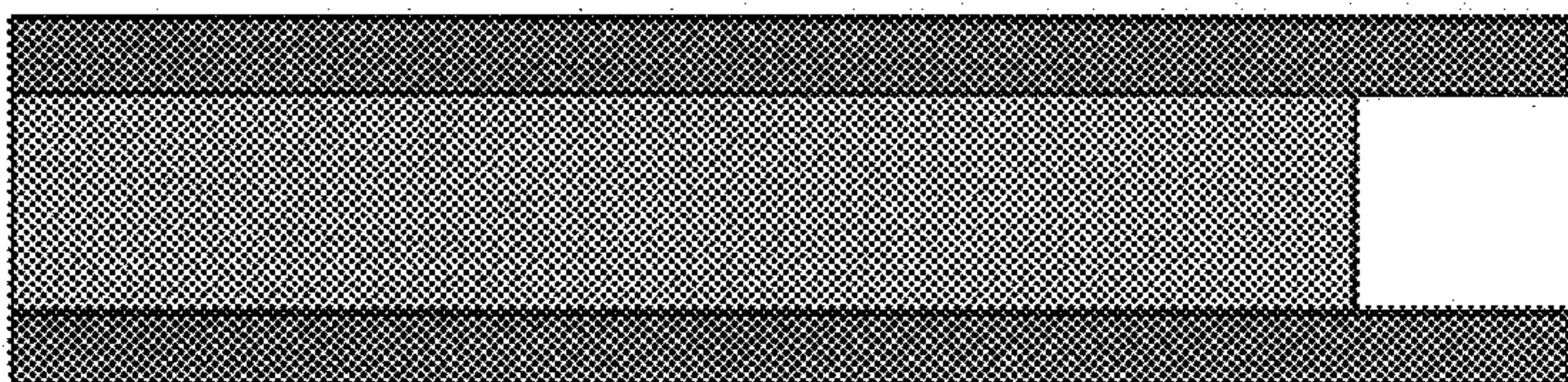


Fig. 11