



US00D518894S

(12) **United States Design Patent**  
**Kirn**

(10) **Patent No.:** **US D518,894 S**

(45) **Date of Patent:** **\*\* Apr. 11, 2006**

(54) **ARM SUPPORT**

(75) Inventor: **David S. Kirn**, Lexington, KY (US)

(73) Assignee: **Channel Products, L.L.C.**, Lexington, KY (US)

(\*\*) Term: **14 Years**

(21) Appl. No.: **29/210,897**

(22) Filed: **Aug. 6, 2004**

(51) **LOC (8) Cl.** ..... **24-01**

(52) **U.S. Cl.** ..... **D24/184**

(58) **Field of Classification Search** ..... D24/184,  
D24/183; 5/623, 646, 647

See application file for complete search history.

(56) **References Cited**

**U.S. PATENT DOCUMENTS**

4,270,235	A	*	6/1981	Gutmann	.....	5/646
4,681,308	A		7/1987	Rice		
4,858,903	A		8/1989	Tari et al.		
5,027,799	A		7/1991	Laico et al.		
5,060,638	A	*	10/1991	Bodine, Jr.	.....	5/647
5,135,210	A		8/1992	Michelson		
5,410,769	A	*	5/1995	Waterman	.....	5/646
D361,383	S	*	8/1995	Lipson et al.	.....	D24/183
D389,580	S		1/1998	Keselman et al.		
5,742,962	A		4/1998	Yoshino et al.		
5,785,057	A		7/1998	Fischer		
5,864,902	A		2/1999	Rogers		
5,940,912	A		8/1999	Keselman et al.		

6,101,650	A	8/2000	Omdal et al.
6,195,820	B1	3/2001	Heimbrock et al.
6,202,231	B1	3/2001	Heimbrock et al.
6,568,010	B1	5/2003	Ames

\* cited by examiner

*Primary Examiner*—Ian Simmons

*Assistant Examiner*—Daniel Yu

(74) *Attorney, Agent, or Firm*—King & Schickli, PLLC

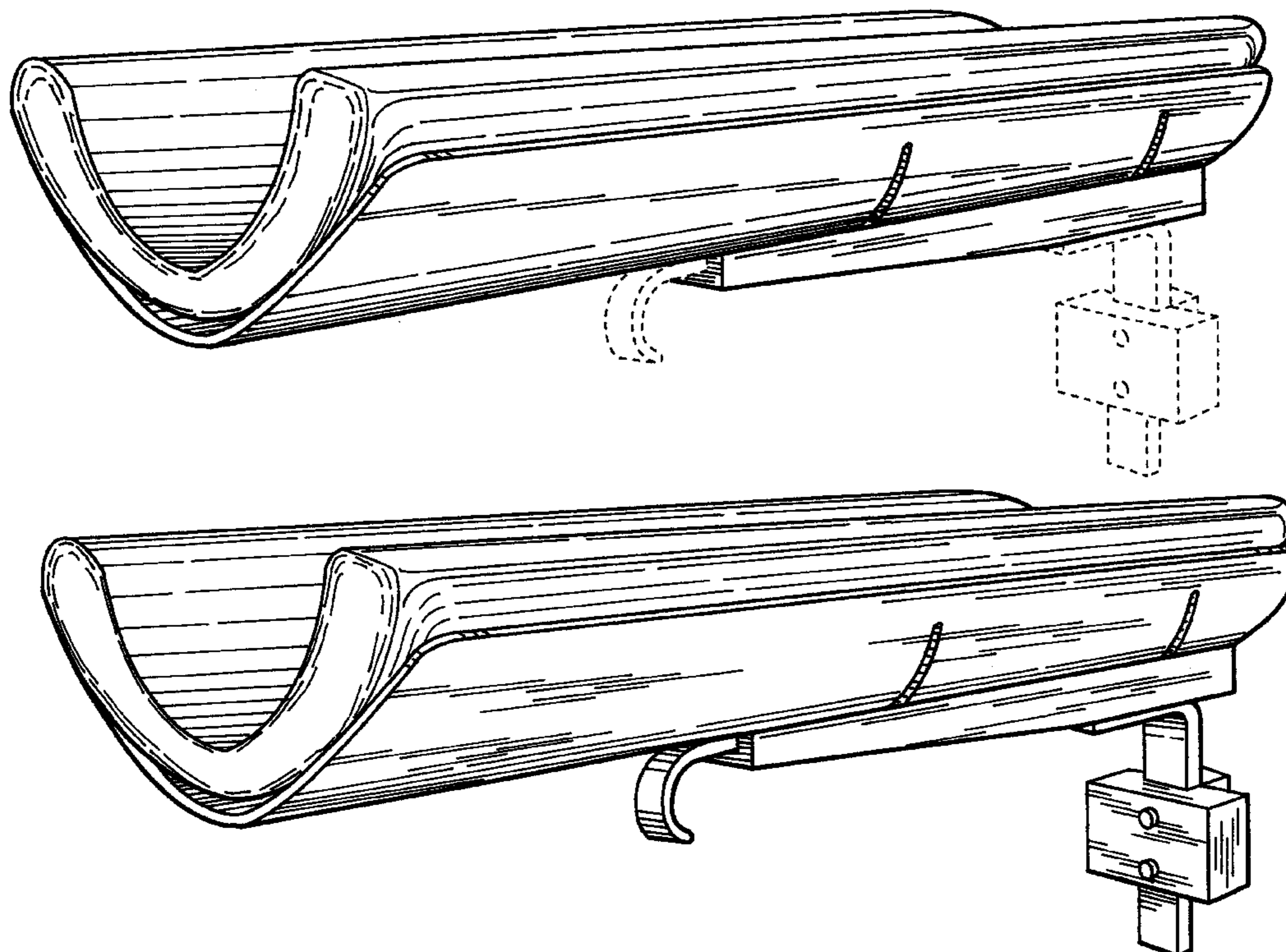
(57) **CLAIM**

The ornamental design of an arm support, as shown and described.

**DESCRIPTION**

FIG. 1 is a perspective view of an arm support of the present invention, the broken lines are for environmental purposes only and form no part of the claimed design; FIG. 2 is a front elevational view thereof; FIG. 3 is a left side elevational view thereof; FIG. 4 is a rear elevational view thereof; FIG. 5 is a top plan view thereof; FIG. 6 is a bottom plan view thereof; FIG. 7 is a perspective view of a second embodiment of an arm support of the present invention; FIG. 8 is a front elevational view thereof; FIG. 9 is a left side elevational view thereof; FIG. 10 is a rear elevational view thereof; FIG. 11 is a top plan view thereof; and, FIG. 12 is a bottom plan view thereof.

**1 Claim, 12 Drawing Sheets**



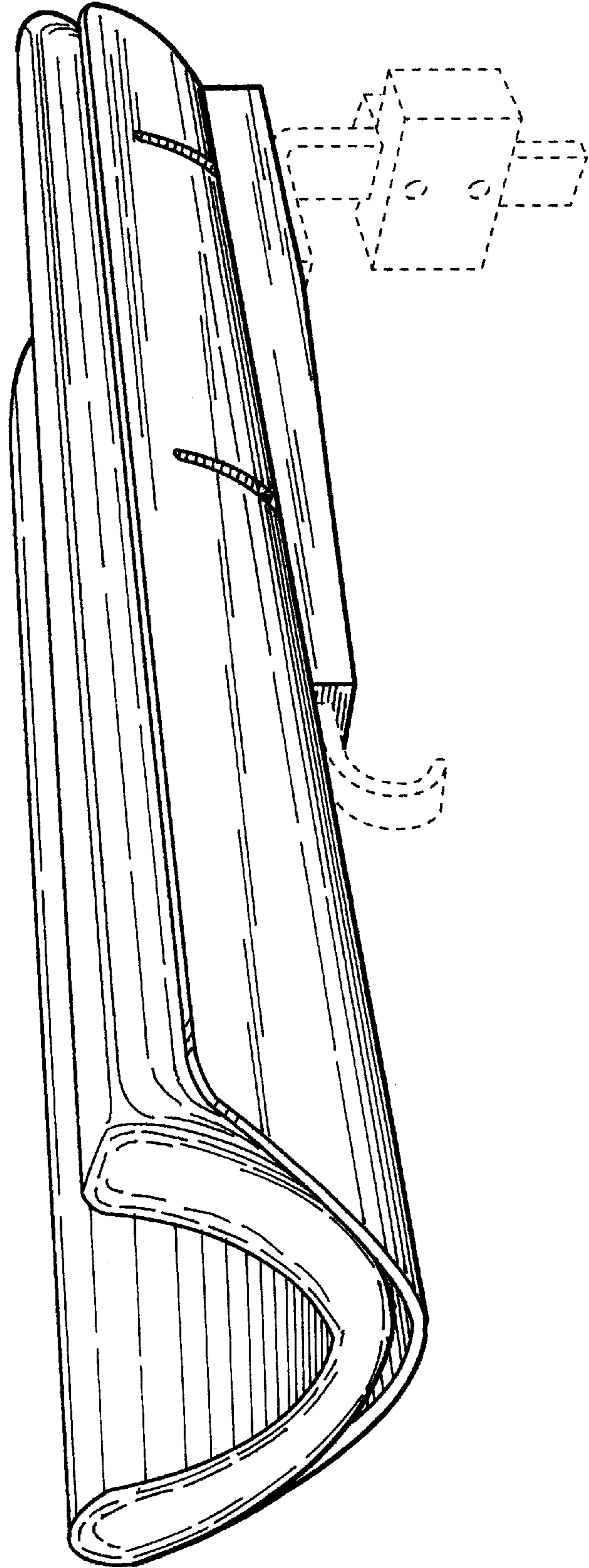
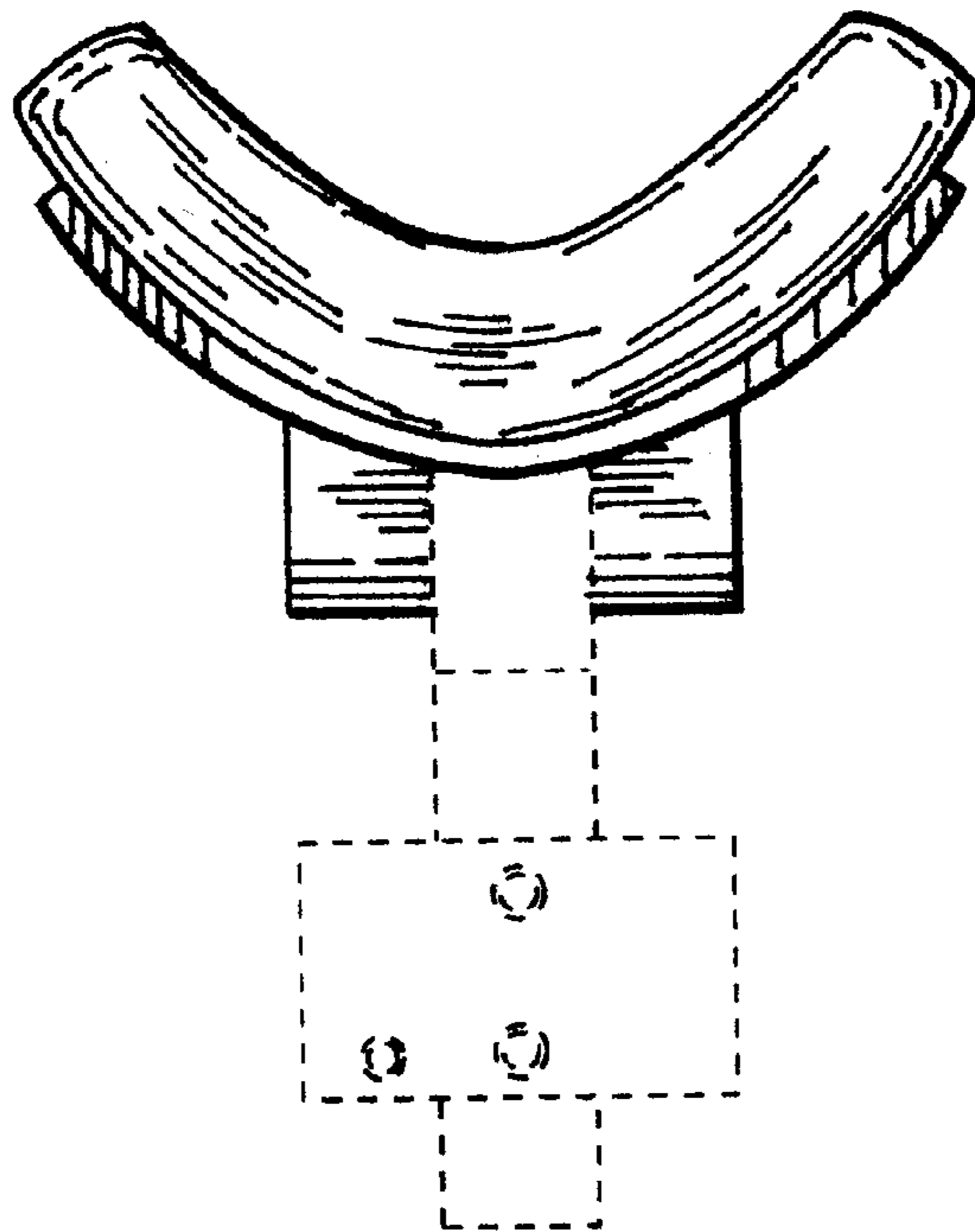


Fig. 1



*Fig. 2*

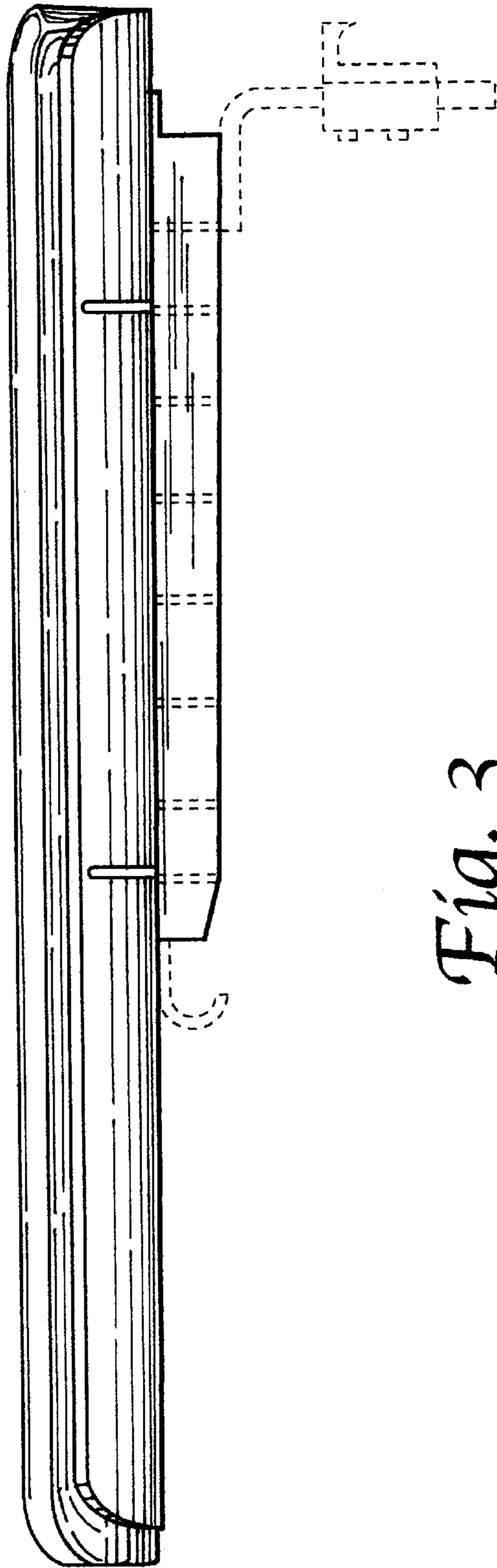
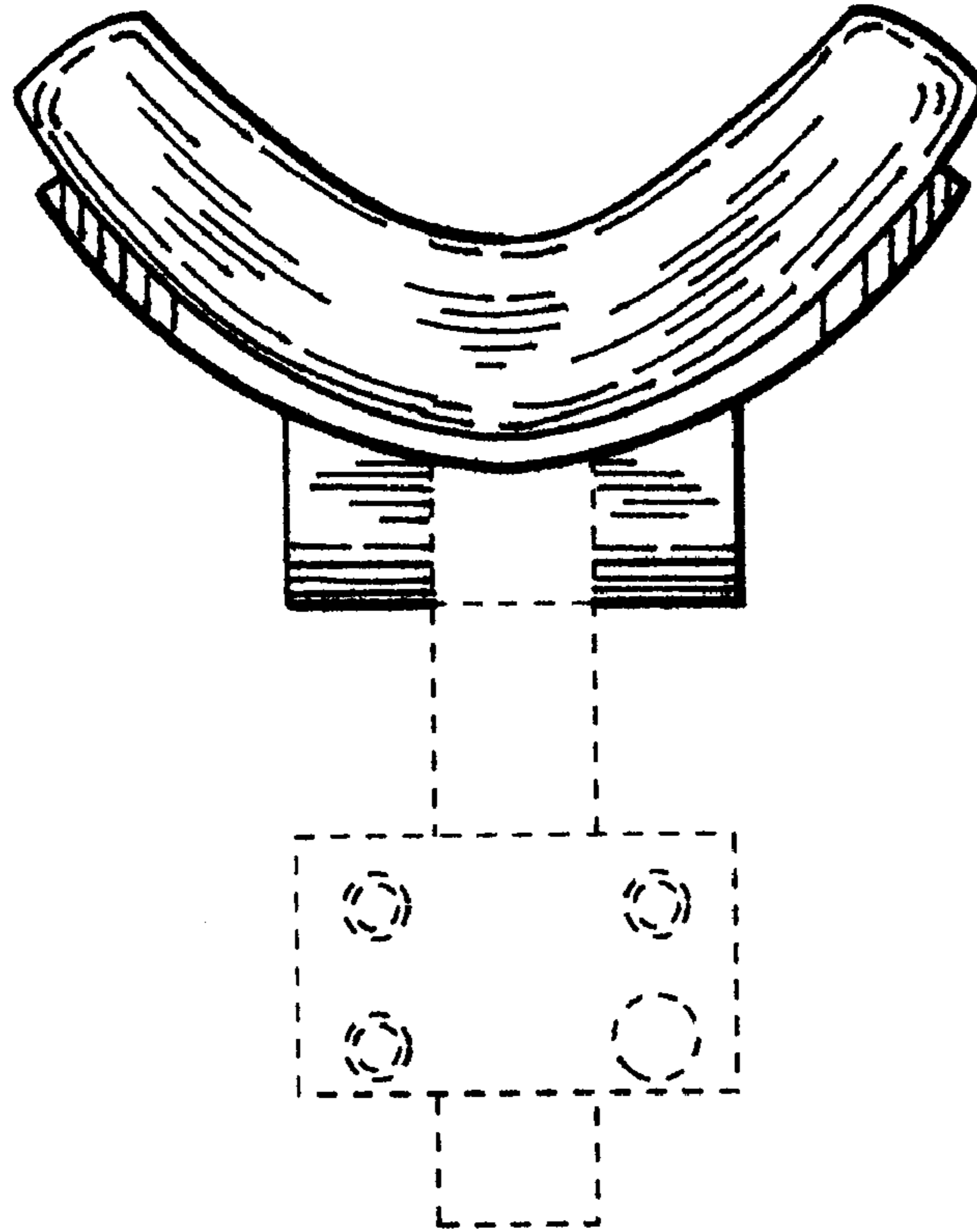
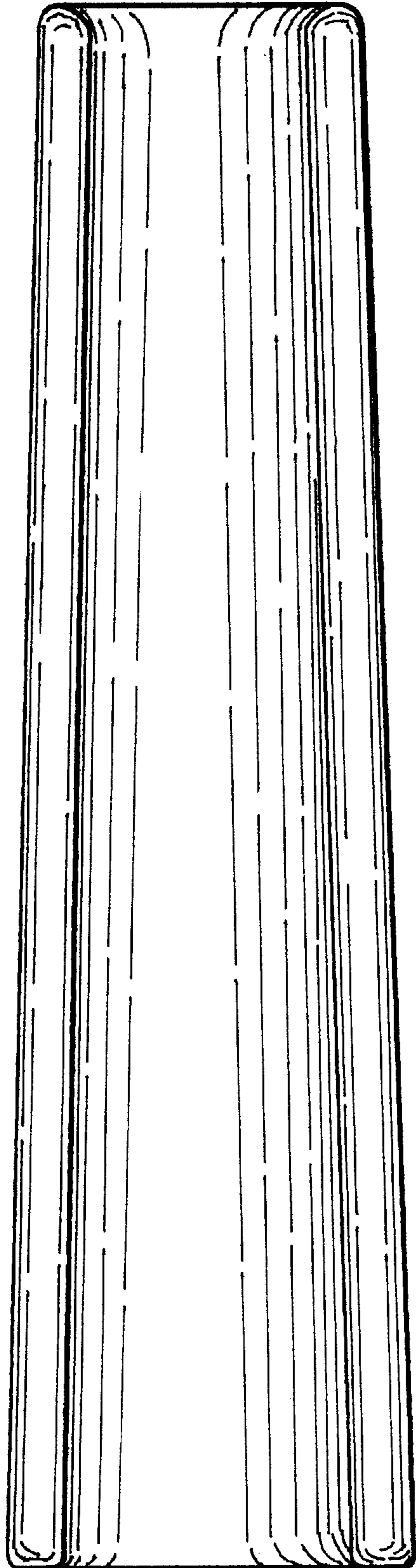


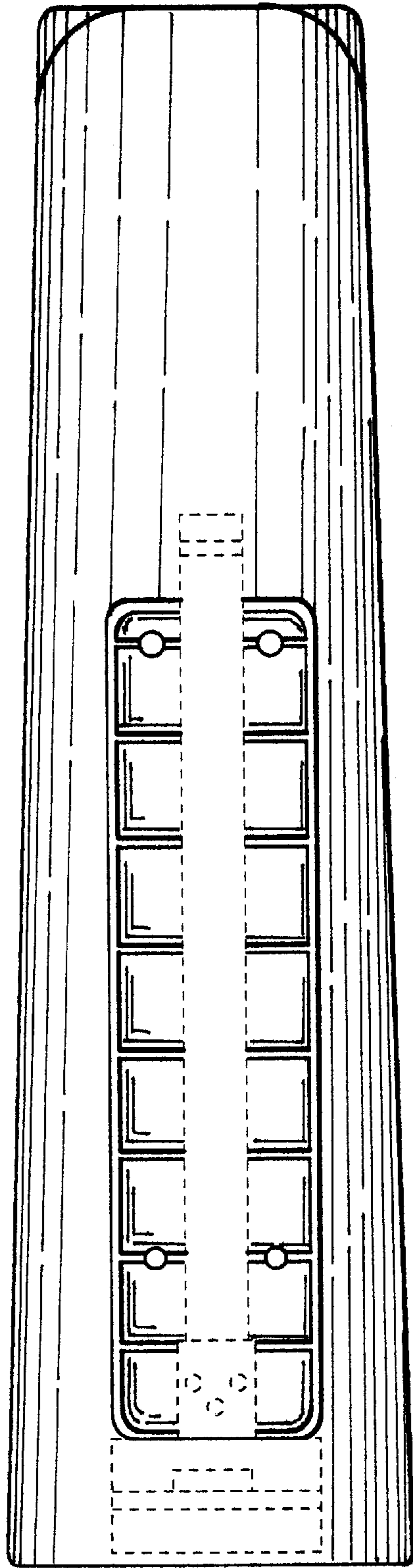
Fig. 3



*Fig. 4*



*Fig. 5*



*Fig. 6*

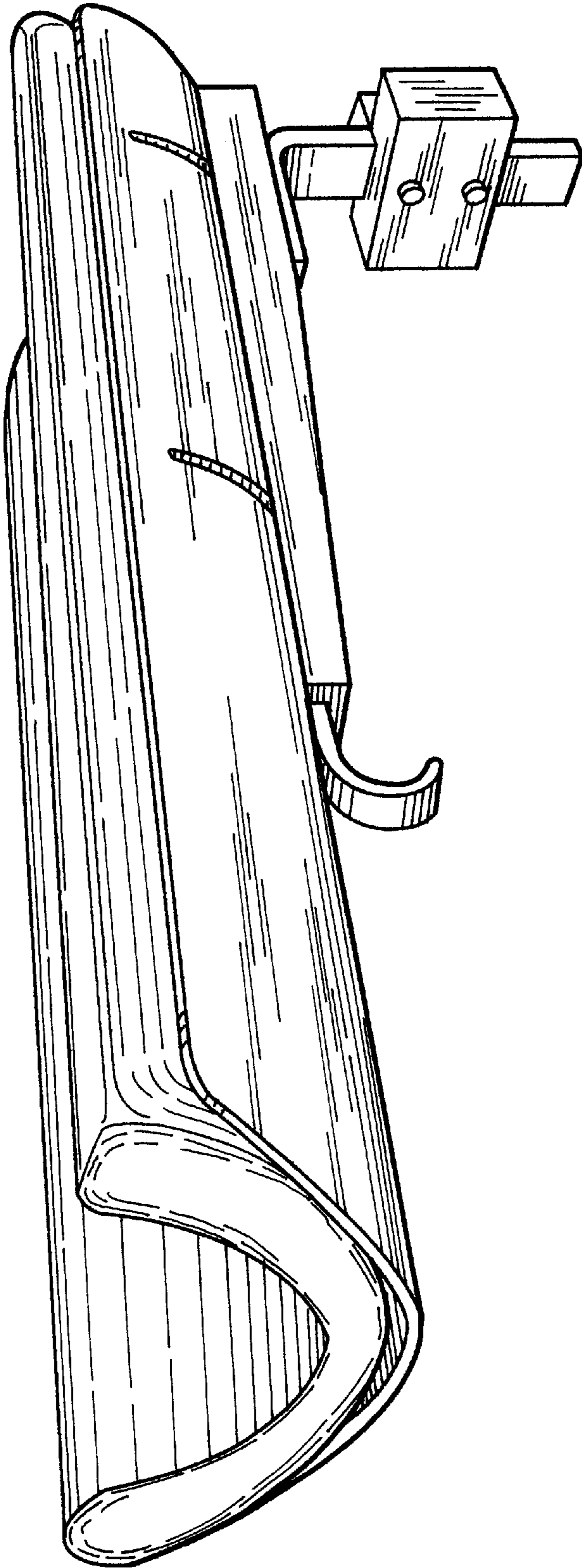
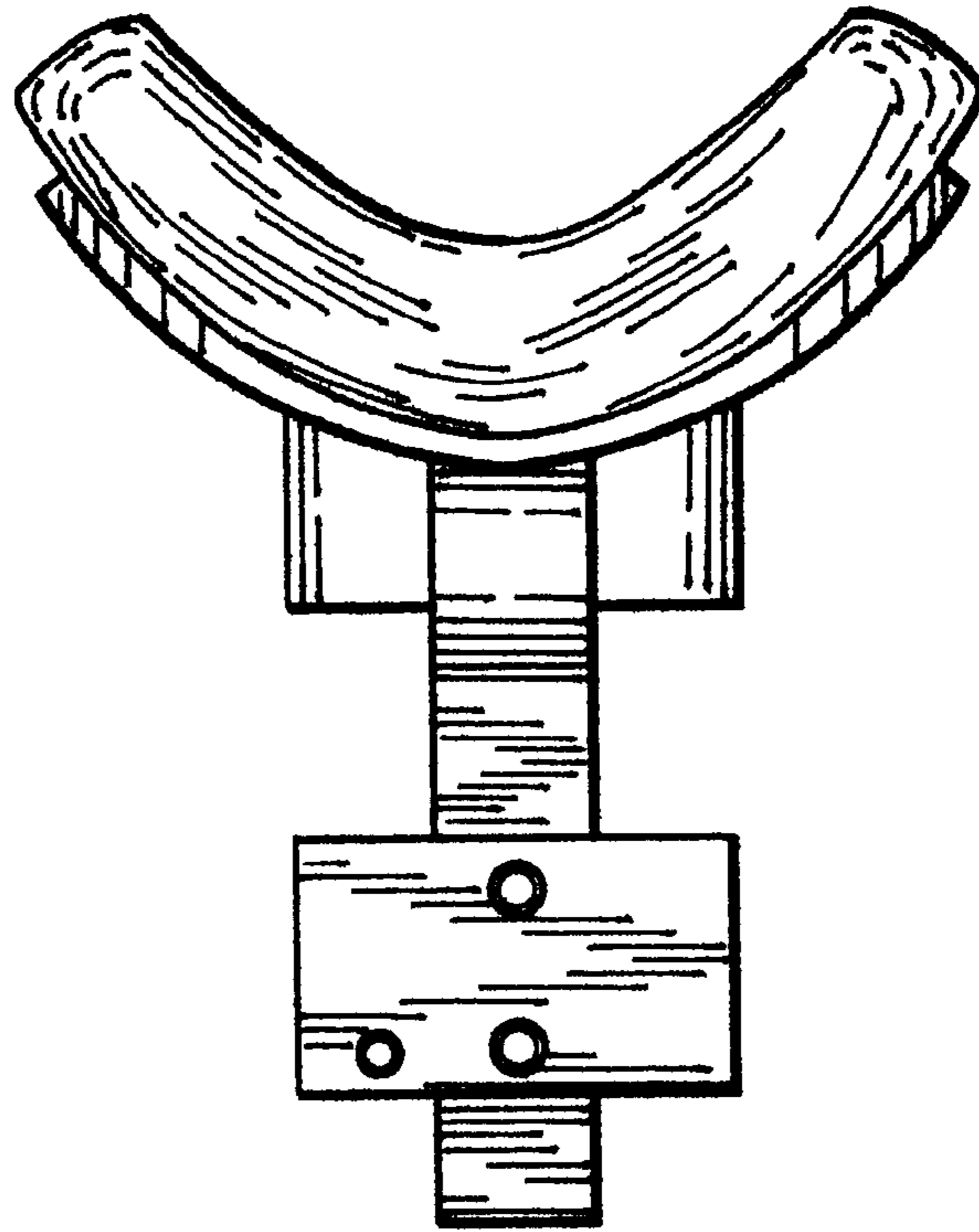


Fig. 7





*Fig. 8*

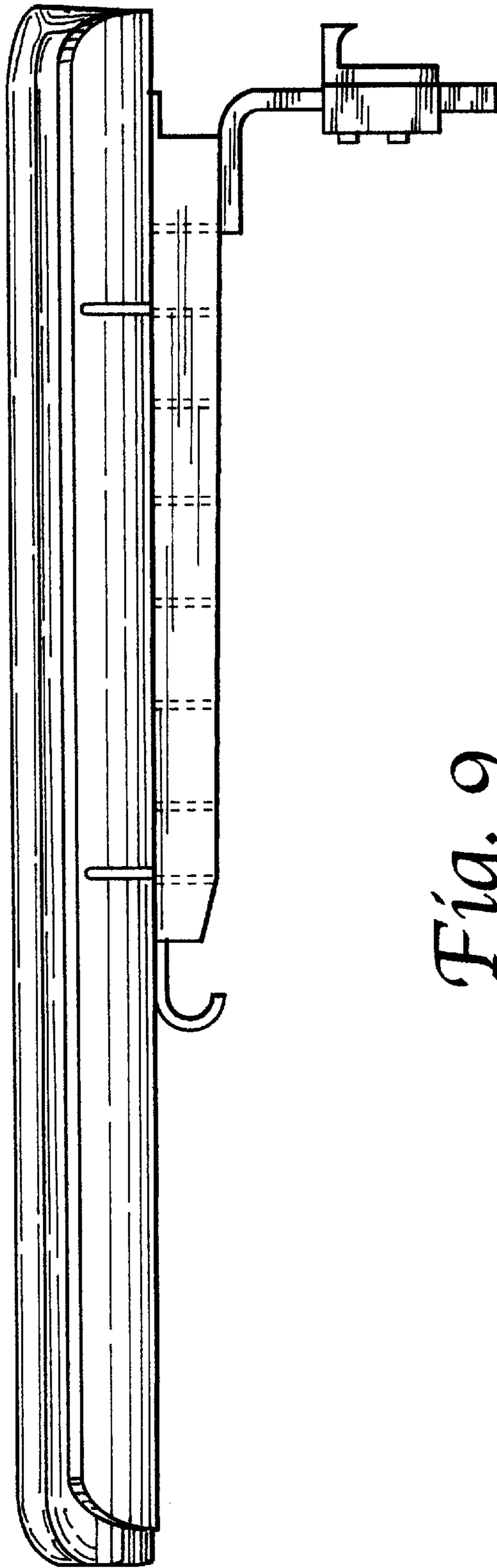
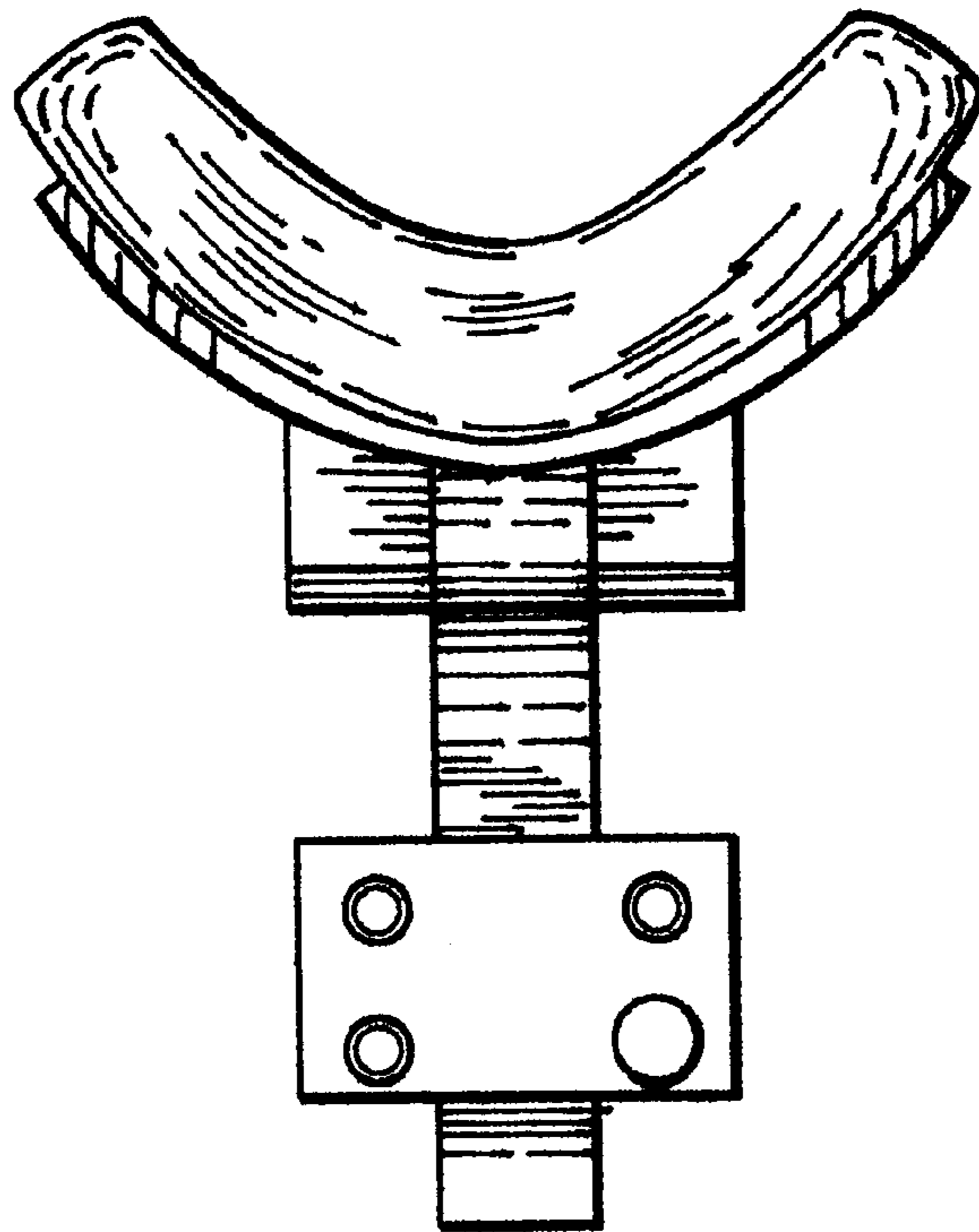
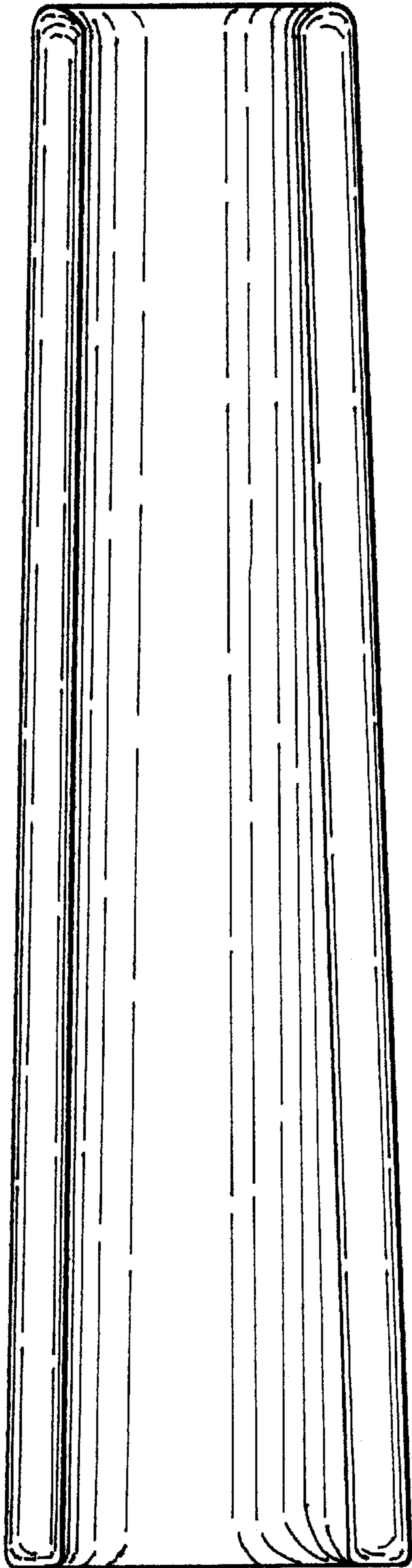


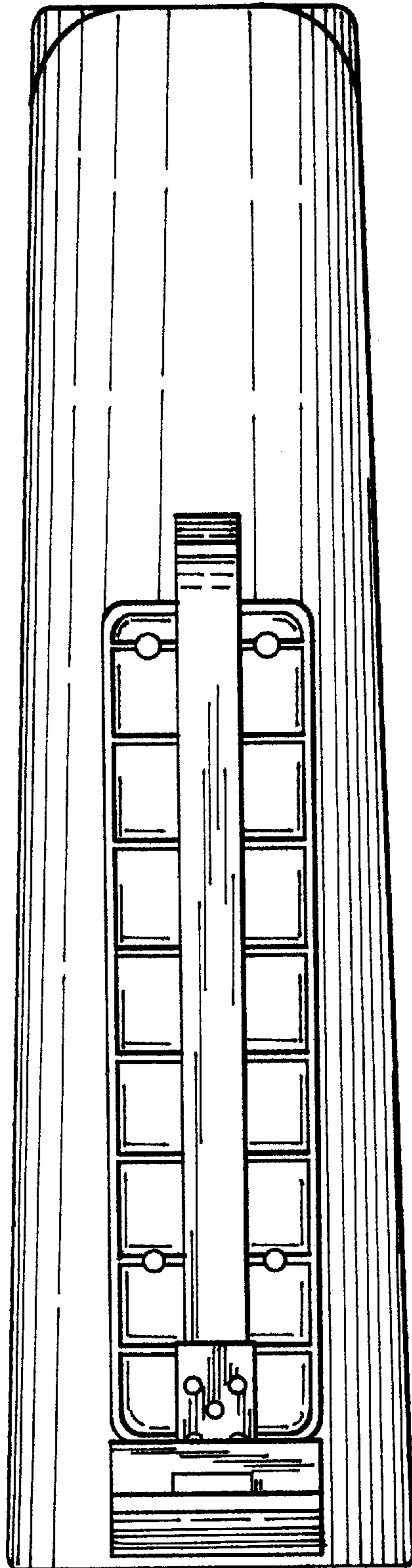
Fig. 9



*Fig. 10*



*Fig. 11*



*Fig. 12*