



US00D518891S

(12) **United States Design Patent**
Strong

(10) **Patent No.:** **US D518,891 S**

(45) **Date of Patent:** **** Apr. 11, 2006**

(54) **DISPOSABLE VIAL**

(75) Inventor: **Bernard Strong**, Tarzana, CA (US)

(73) Assignee: **Discount RX, Inc.**, Clearwater, FL (US)

(**) Term: **14 Years**

(21) Appl. No.: **29/171,337**

(22) Filed: **Nov. 20, 2002**

(51) **LOC (8) Cl.** **24-02**

(52) **U.S. Cl.** **D24/115**

(58) **Field of Classification Search** D24/115,
D24/117; D9/300, 302, 344; 206/528, 530,
206/820, 532; 222/153.06, 456, 153.07, 206,
222/213, 215, 107, 143, 92, 94, 97, 129;
53/467, 477; 264/525

See application file for complete search history.

(56) **References Cited**

U.S. PATENT DOCUMENTS

| | | | | | | |
|-----------|---|---|---------|-----------------|-------|---------|
| 3,917,120 | A | * | 11/1975 | Larenz et al. | | 222/129 |
| 3,968,880 | A | | 7/1976 | Ostrowsky | | |
| 4,098,430 | A | | 7/1978 | Mattheis et al. | | |
| 4,133,449 | A | | 1/1979 | Ostrowsky | | |
| 4,502,616 | A | * | 3/1985 | Meierhoefer | | 206/820 |
| D309,097 | S | * | 7/1990 | Price | | D24/115 |
| D330,160 | S | * | 10/1992 | Umekawa | | D24/115 |
| D362,390 | S | * | 9/1995 | Weiler | | D24/115 |
| 5,529,195 | A | | 6/1996 | Valyi | | |
| 5,874,141 | A | | 2/1999 | Matsui | | |

| | | | | | | |
|-----------|----|---|--------|------------------|-------|---------|
| 6,101,791 | A | | 8/2000 | Louviere | | |
| 6,116,449 | A | * | 9/2000 | Chiesi et al. | | 206/820 |
| 6,234,333 | B1 | * | 5/2001 | Federighi et al. | | 222/456 |
| D447,560 | S | * | 9/2001 | Hellberg et al. | | D24/115 |
| 6,357,626 | B1 | | 3/2002 | Zhang et al. | | |
| D456,507 | S | | 4/2002 | LeMarr et al. | | |
| D458,366 | S | * | 6/2002 | Hellberg et al. | | D24/115 |
| D460,175 | S | * | 7/2002 | Louviere | | D24/115 |
| 6,426,035 | B1 | * | 7/2002 | Hansen | | 264/525 |
| D471,628 | S | * | 3/2003 | Louviere | | D24/115 |
| D489,820 | S | * | 5/2004 | Masuda et al. | | D24/115 |
| 6,735,926 | B1 | * | 5/2004 | Louviere | | 53/467 |
| D492,028 | S | * | 6/2004 | Masuda et al. | | D24/115 |
| D492,406 | S | * | 6/2004 | Masuda et al. | | D24/115 |
| D492,407 | S | * | 6/2004 | Masuda et al. | | D24/115 |

* cited by examiner

Primary Examiner—Ian Simmons

(74) *Attorney, Agent, or Firm*—Cantor Colburn LLP

(57) **CLAIM**

The design for a disposable vial, as shown and described.

DESCRIPTION

FIG. 1 is a perspective view of a disposable vial showing my new design;

FIG. 2 is a top plan view thereof;

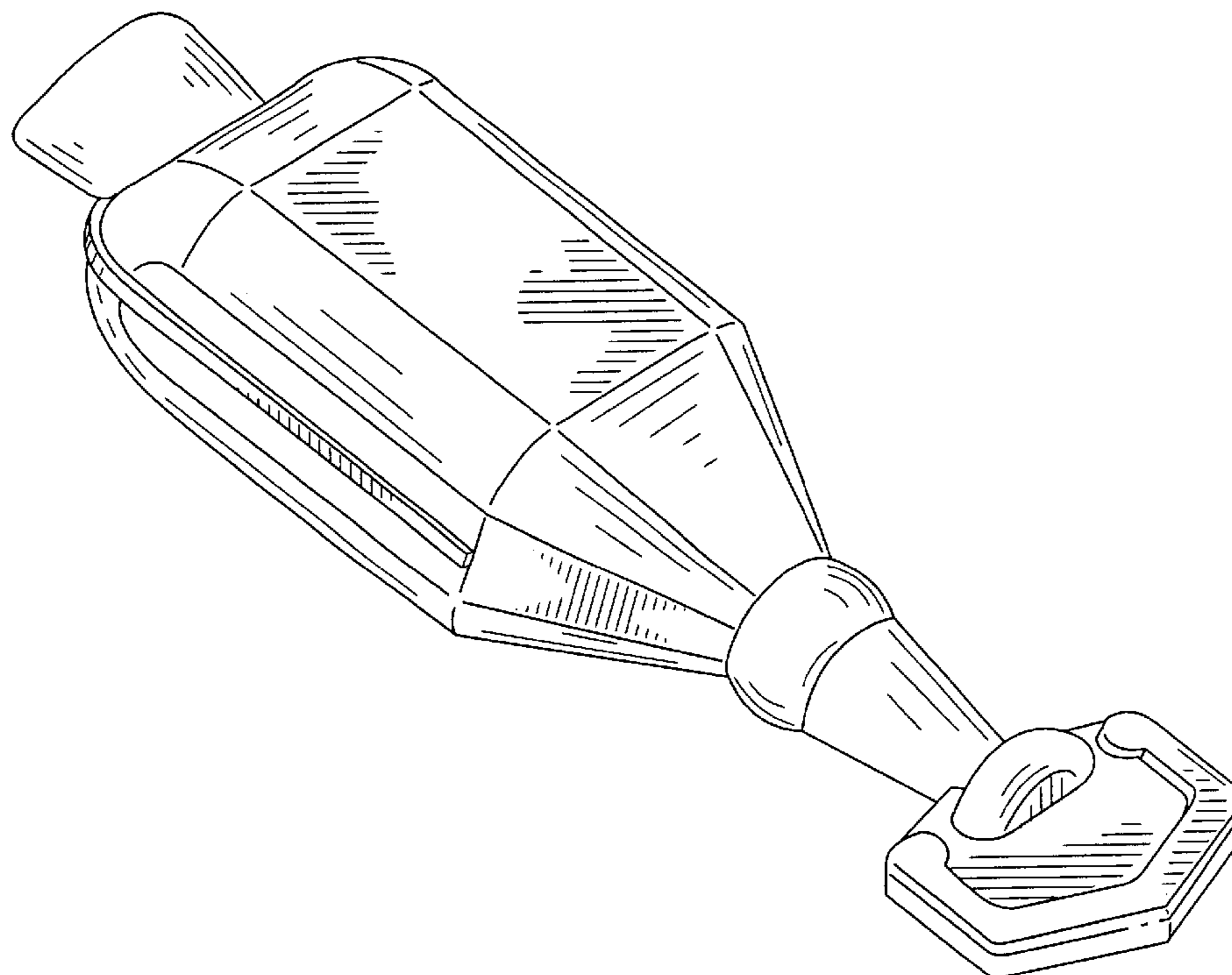
FIG. 3 is a side elevational view thereof;

FIG. 4 is a side elevational view thereof; and,

FIG. 5 is a side elevational view thereof.

The bottom plan views of all embodiments are essentially identical to the top plan views.

1 Claim, 4 Drawing Sheets



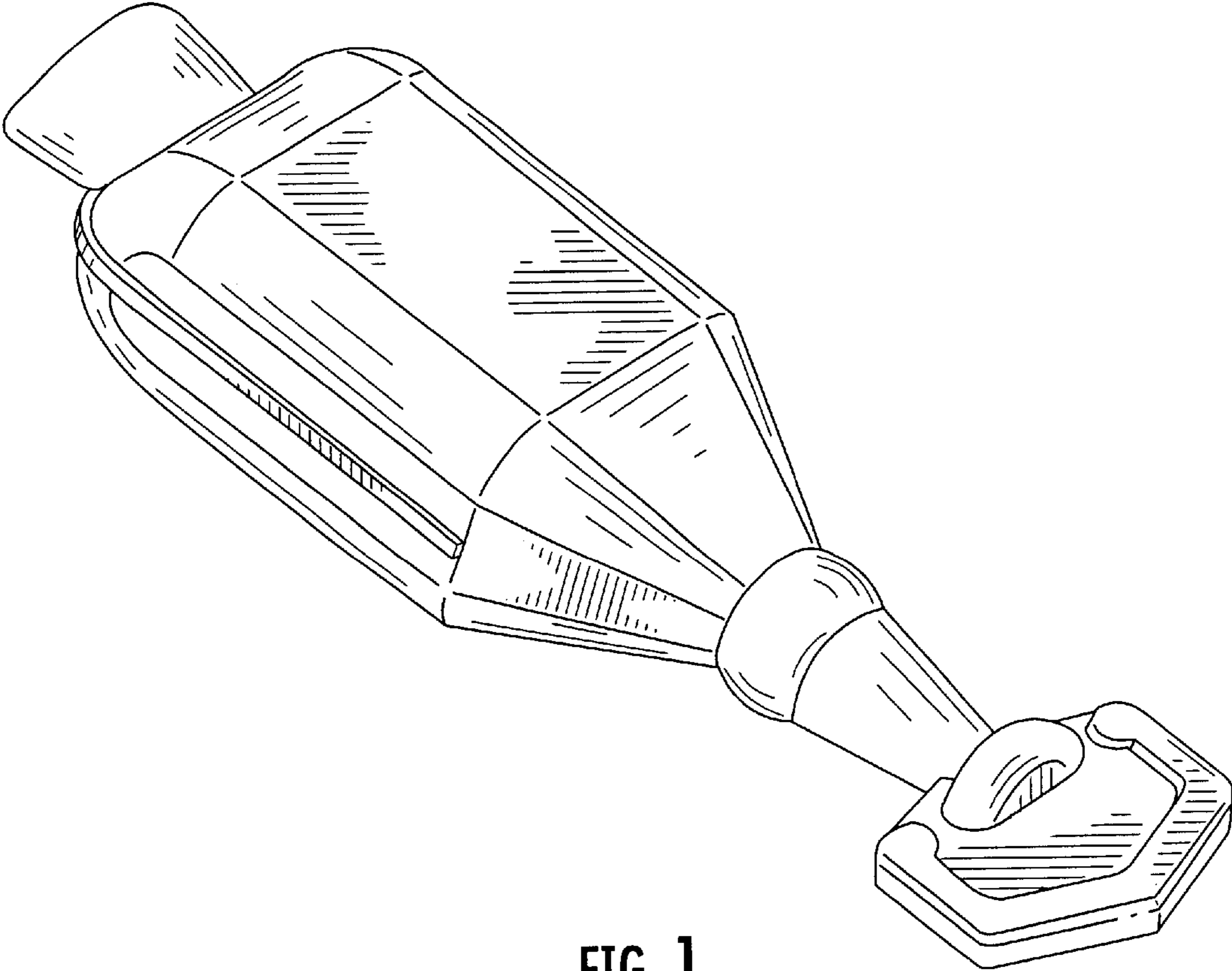


FIG. 1

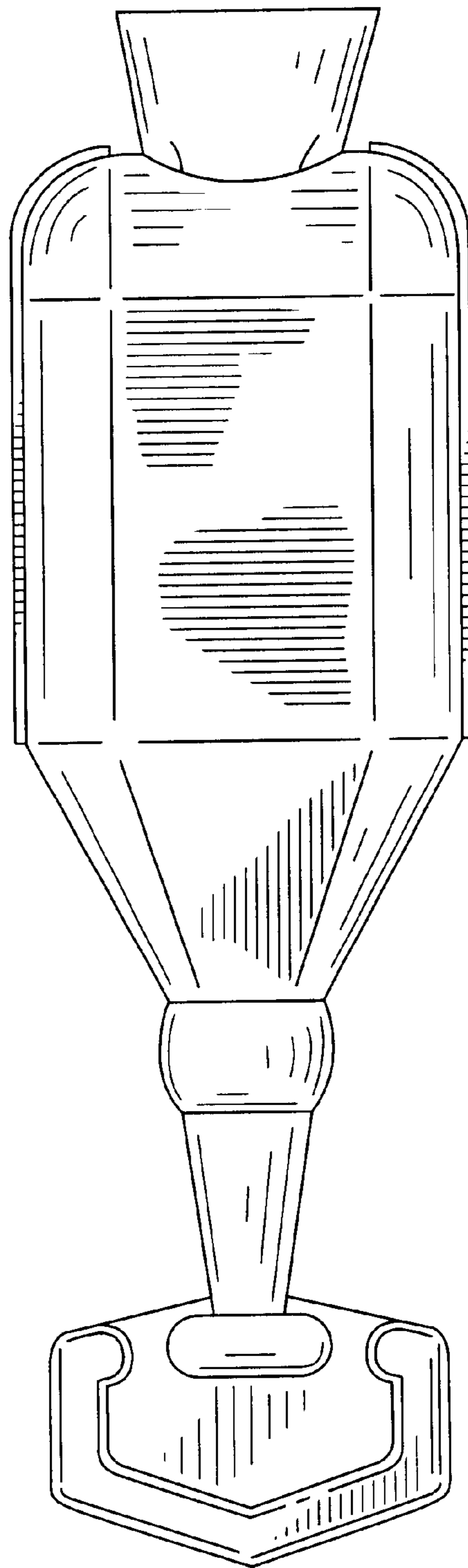


FIG. 2

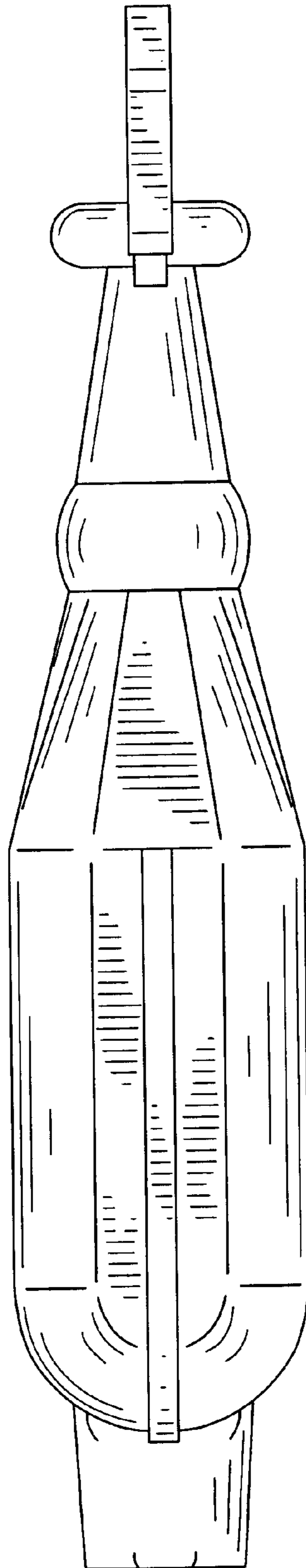


FIG. 3

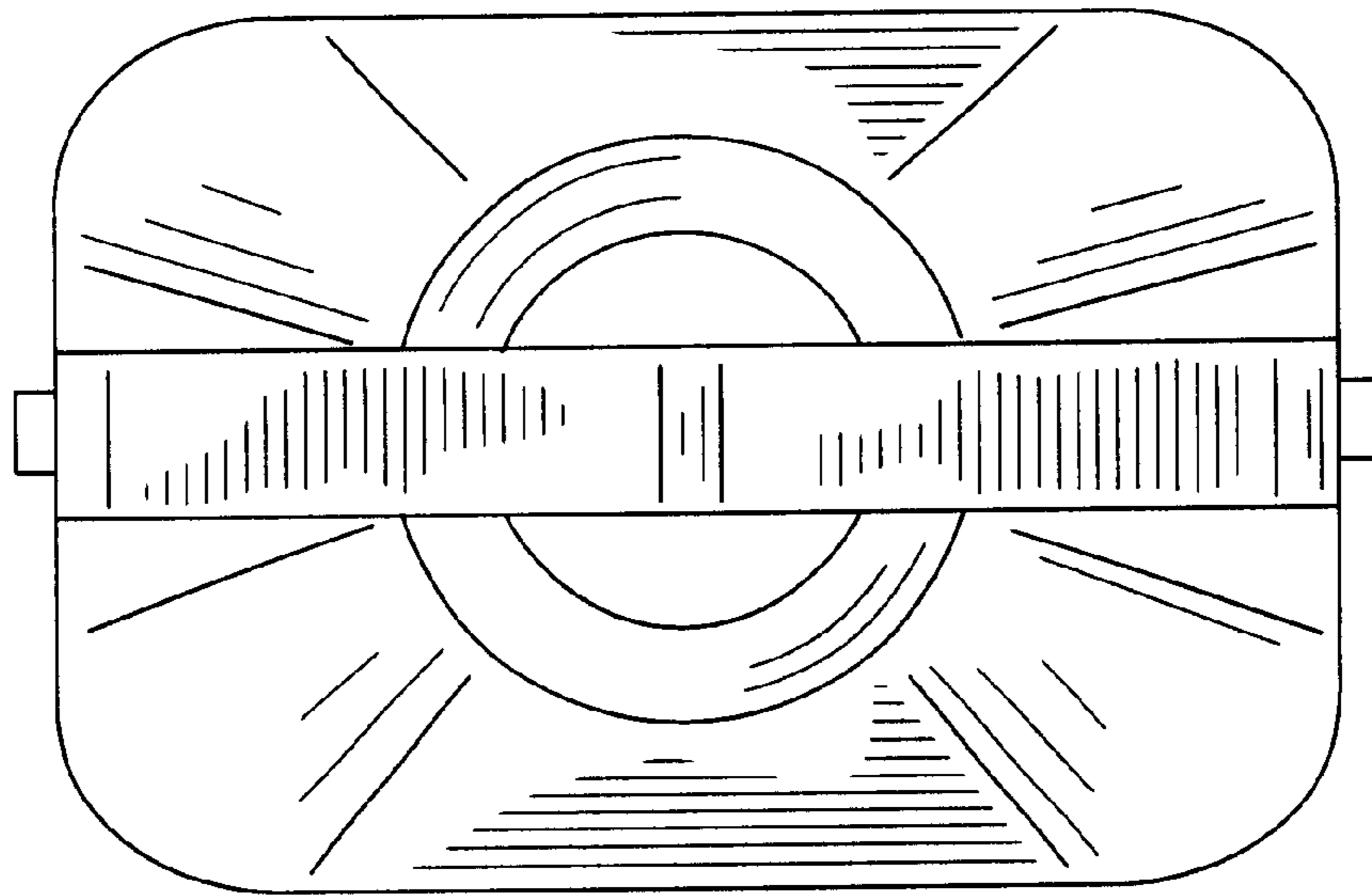


FIG. 4

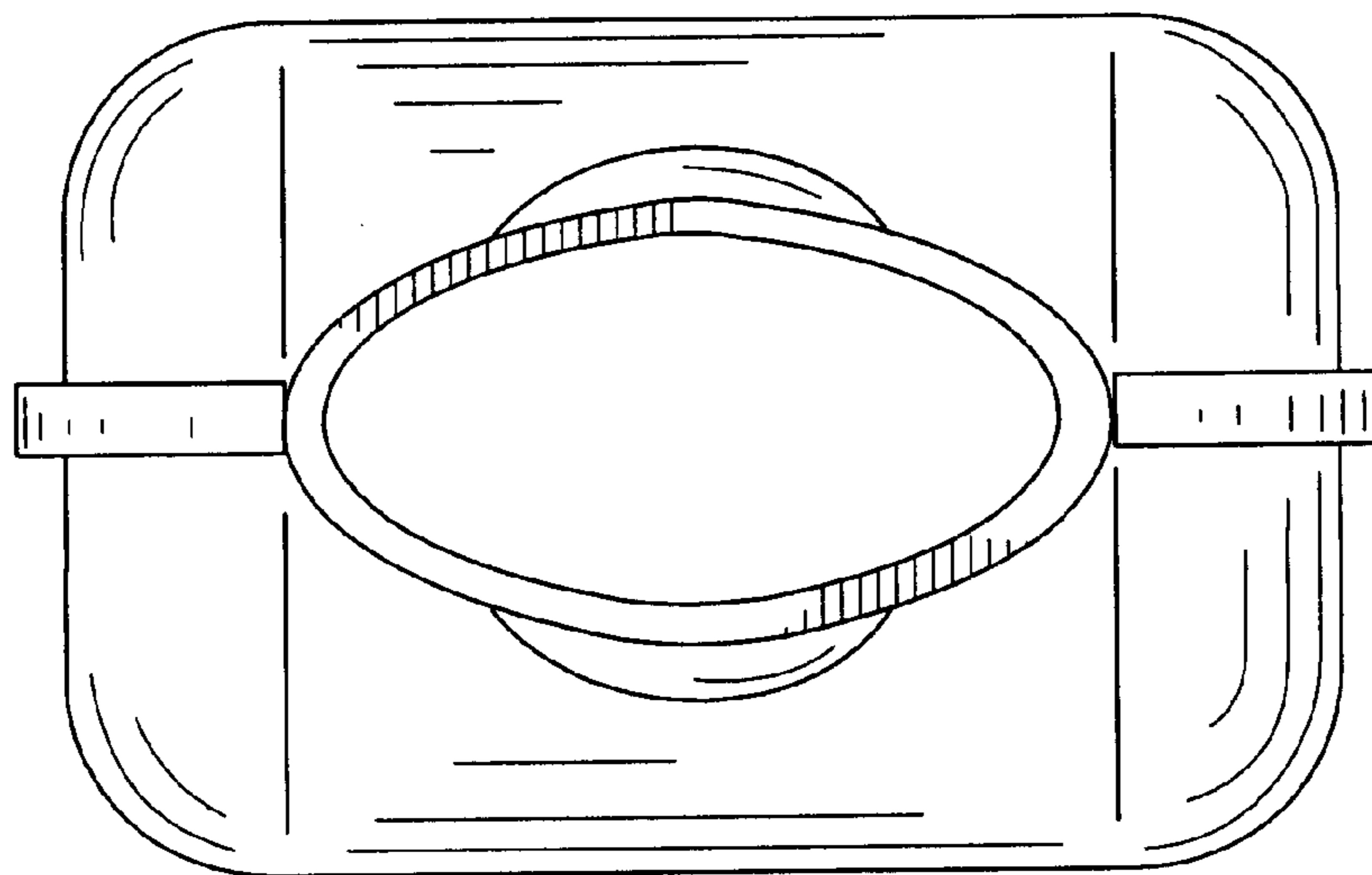


FIG. 5