



US00D518890S

(12) **United States Design Patent**  
**Nasir**

(10) **Patent No.:** **US D518,890 S**  
(45) **Date of Patent:** **\*\* Apr. 11, 2006**

(54) **LARYNGEAL MASK AIRWAY DEVICE**

(76) Inventor: **Muhammed Aslam Nasir**, 36 High Street, Leagrave, Luton, Bedfordshire LU4 9LF (GB)

(\*\*) Term: **14 Years**

(21) Appl. No.: **29/216,684**

(22) Filed: **Nov. 5, 2004**

**Related U.S. Application Data**

(62) Division of application No. 10/983,199, filed on Nov. 5, 2004.

(30) **Foreign Application Priority Data**

Jun. 24, 2004 (ES) ..... 00019714-001/0006

(51) **LOC (8) Cl.** ..... **29-02**

(52) **U.S. Cl.** ..... **D24/110.5**

(58) **Field of Classification Search** ..... D24/110.5,  
D24/110.1, 110, 164; 128/207.14, 200.26,  
128/207.15

See application file for complete search history.

(56) **References Cited**

**U.S. PATENT DOCUMENTS**

5,632,271	A *	5/1997	Brain	128/207.15
D429,811	S *	8/2000	Bermudez	D24/110.5
6,095,144	A *	8/2000	Pagan	128/207.15
6,631,720	B1 *	10/2003	Brain	128/207.14
2004/0020491	A1 *	2/2004	Fortuna	128/207.15
2005/0051173	A1 *	3/2005	Brain	128/207.14

**OTHER PUBLICATIONS**

“The Development of the Laryngeal Mask—a Brief History of the Invention, Early Clinical Studies and Experimental Work form Which the Laryngeal Mask Evolved” A.I.J. Brain, European Journal of Anesthesiology, 1991, Supplement 4, pp. 5–17.

\* cited by examiner

*Primary Examiner*—Ian Simmons

(74) *Attorney, Agent, or Firm*—Hayes Soloway P.C.

(57) **CLAIM**

The ornamental design for a laryngeal mask airway device, as shown and described.

**DESCRIPTION**

FIG. 1 is a front elevational view of a laryngeal mask, showing my new design;

FIG. 2 is a rear elevational view thereof;

FIG. 3 is a side elevational view thereof;

FIG. 4 is a top plan view thereof;

FIG. 5 is a bottom plan view thereof;

FIG. 6 is a front and side perspective view thereof;

FIG. 7 is another perspective view from the front and other side thereof;

FIG. 8 is a front elevational view of a second embodiment of the a laryngeal mask, showing my new design;

FIG. 9 is a rear elevational view thereof;

FIG. 10 is a side elevational view thereof;

FIG. 11 is a top plan view thereof;

FIG. 12 is a bottom plan view thereof;

FIG. 13 is a front and side perspective view thereof; and

FIG. 14 is another perspective view from the front and other side thereof;

FIG. 15 is a front elevational view of a third embodiment of a laryngeal mask, showing my new design;

FIG. 16 is a rear elevational view thereof;

FIG. 17 is a side elevational view thereof;

FIG. 18 is a top plan view thereof;

FIG. 19 is a bottom plan view thereof;

FIG. 20 is a front and side perspective view thereof;

FIG. 21 is another perspective view from the front and other side thereof;

FIG. 22 is a front elevational view of a fourth embodiment of a laryngeal mask, showing my new design;

FIG. 23 is a rear elevational view thereof;

FIG. 24 is a side elevational view thereof;

FIG. 25 is a top plan view thereof;

FIG. 26 is a bottom plan view thereof;

FIG. 27 is a front and side perspective view thereof;

FIG. 28 is another perspective view from the front and other side thereof;

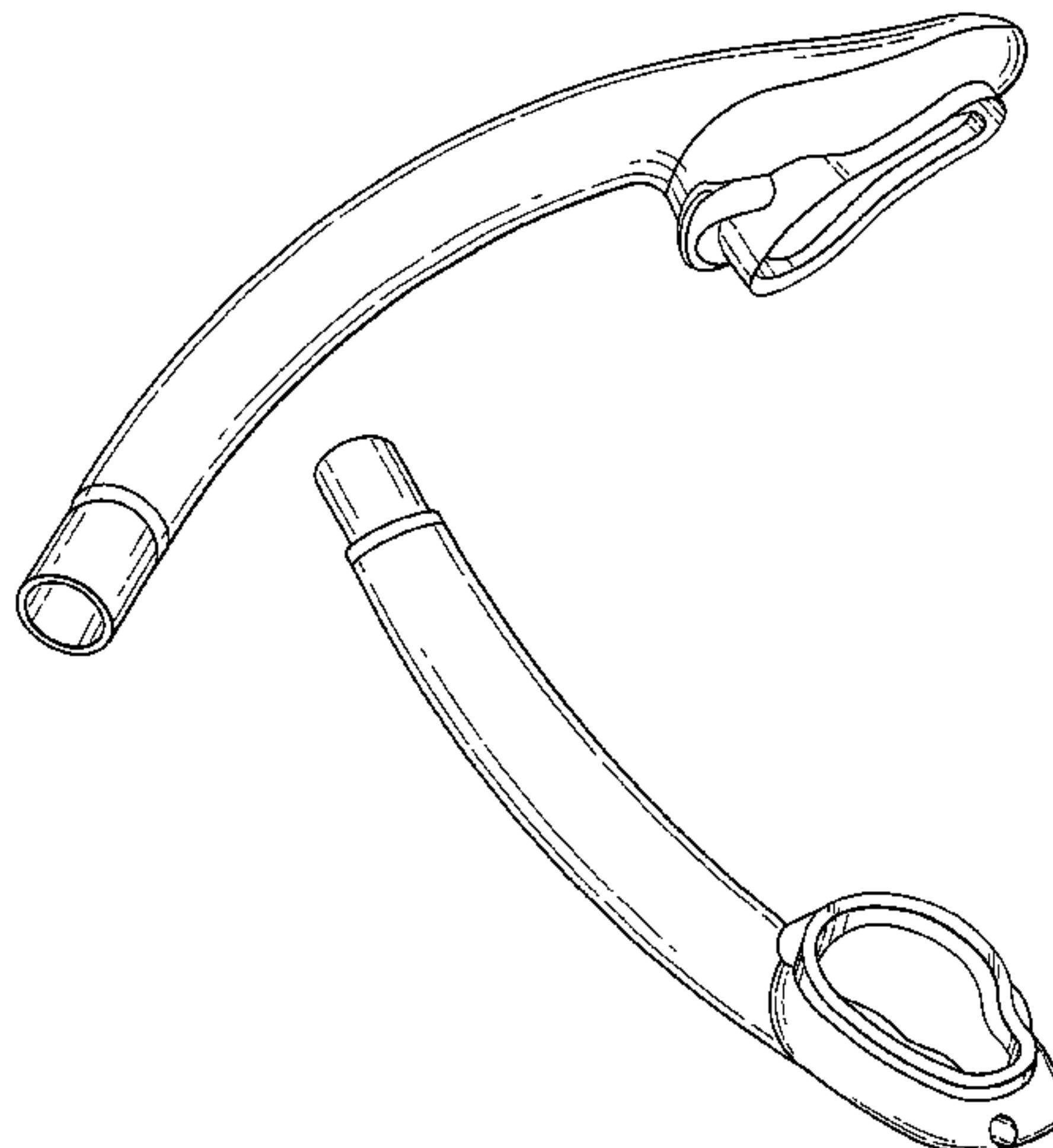


FIG. **29** is a front elevational view of a fifth embodiment of a laryngeal mask, showing my new design;  
FIG. **30** is a rear elevational view thereof;  
FIG. **31** is a side elevational view thereof;  
FIG. **32** is a top plan view thereof;

FIG. **33** is a bottom plan view thereof;  
FIG. **34** is a front and side perspective view thereof; and,  
FIG. **35** is another perspective view thereof.

**1 Claim, 10 Drawing Sheets**

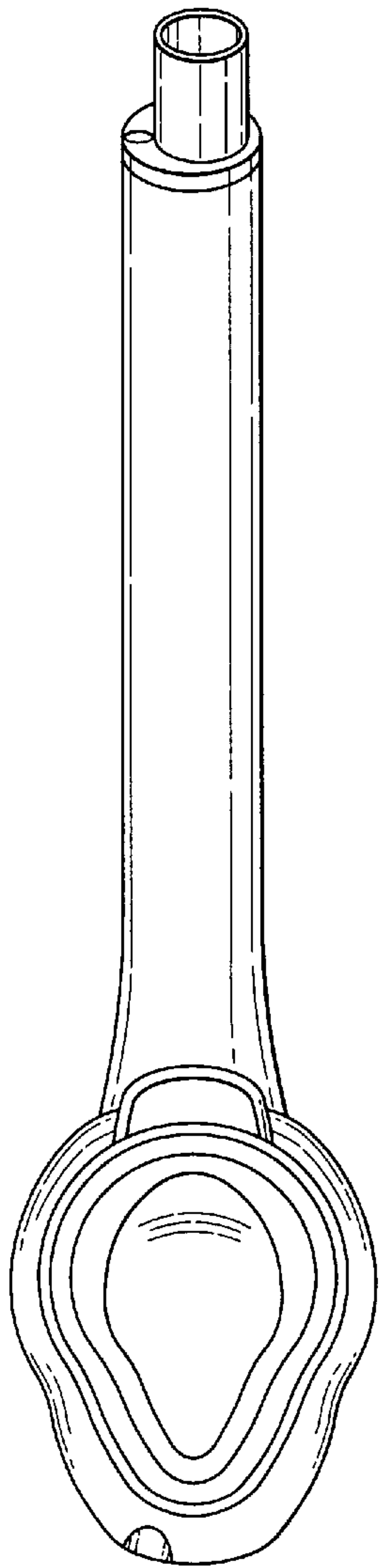


Fig. 1

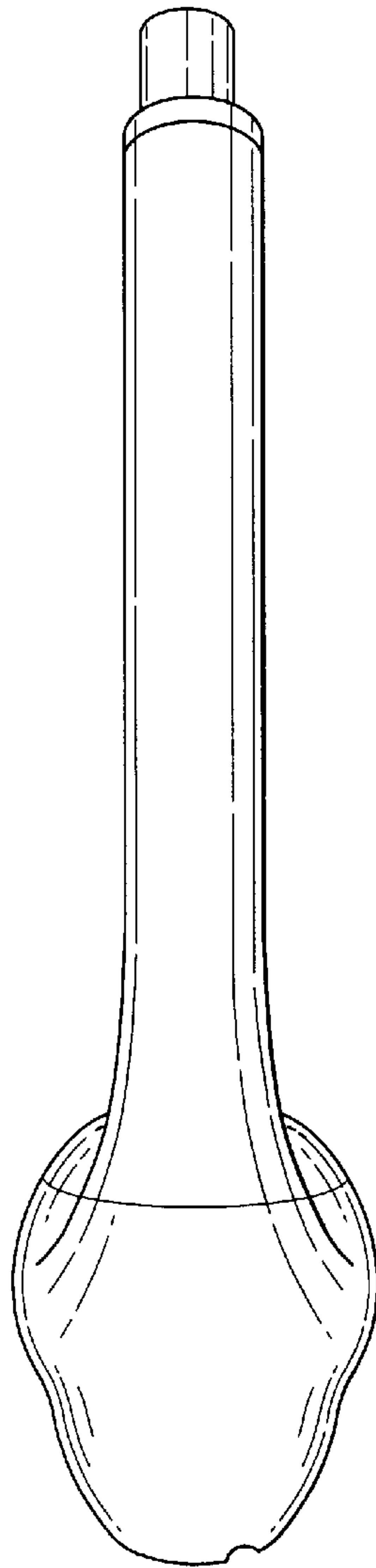


Fig. 2

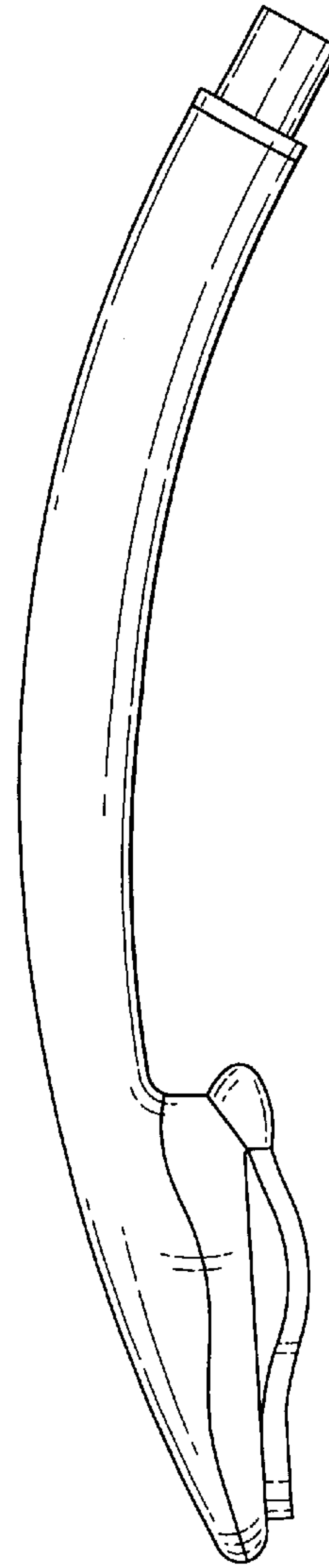


Fig. 3

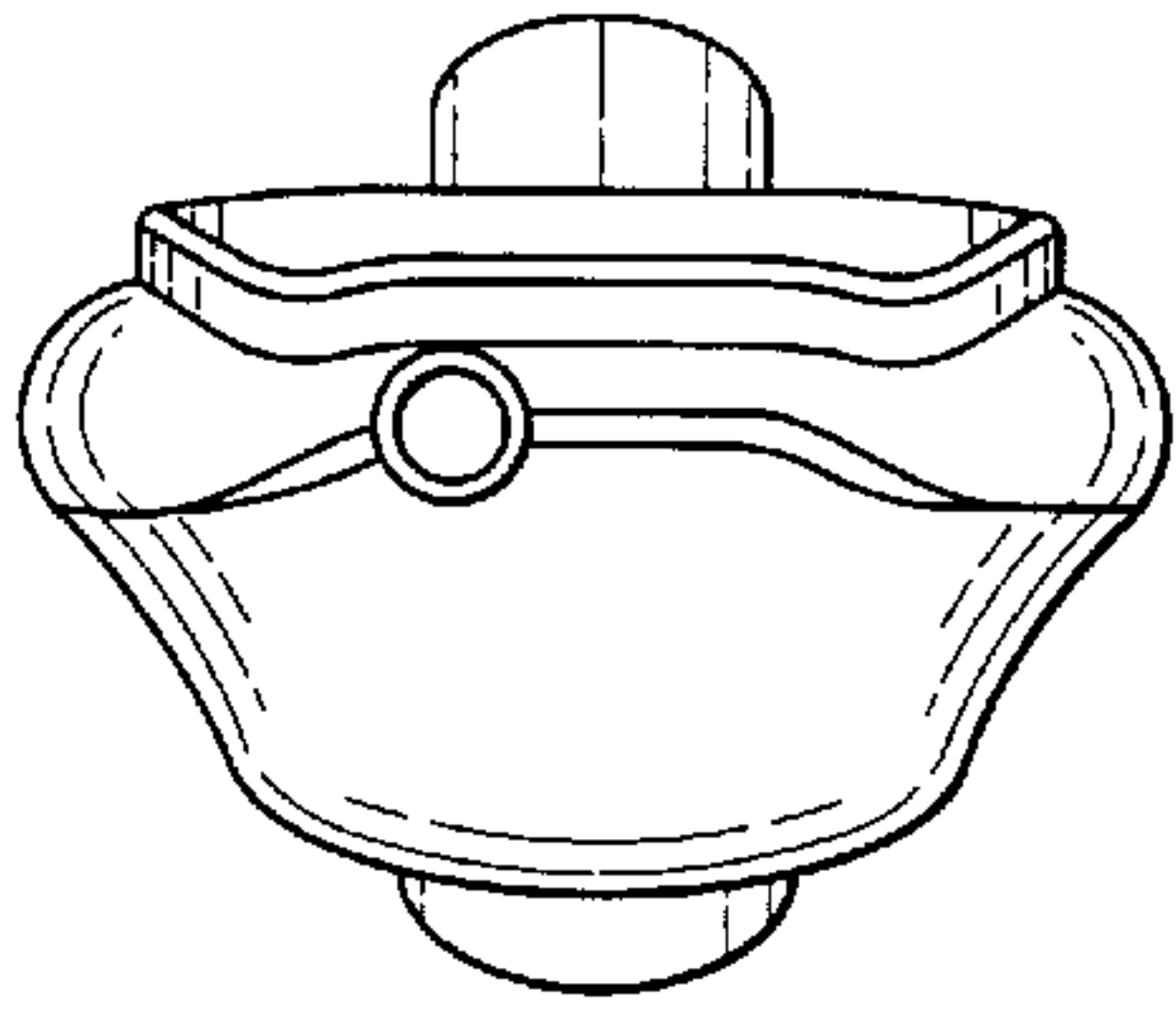


Fig. 4

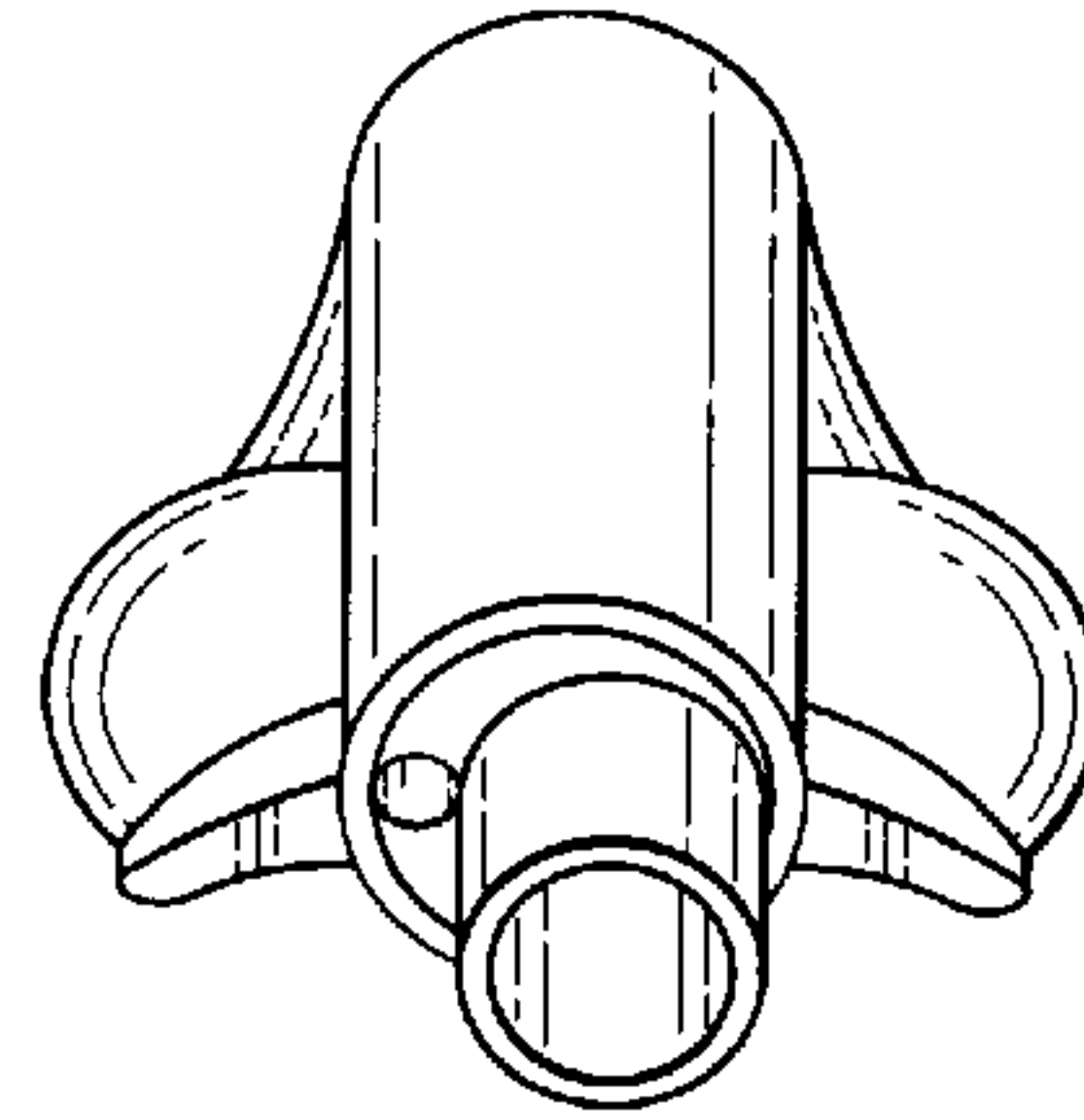


Fig. 5

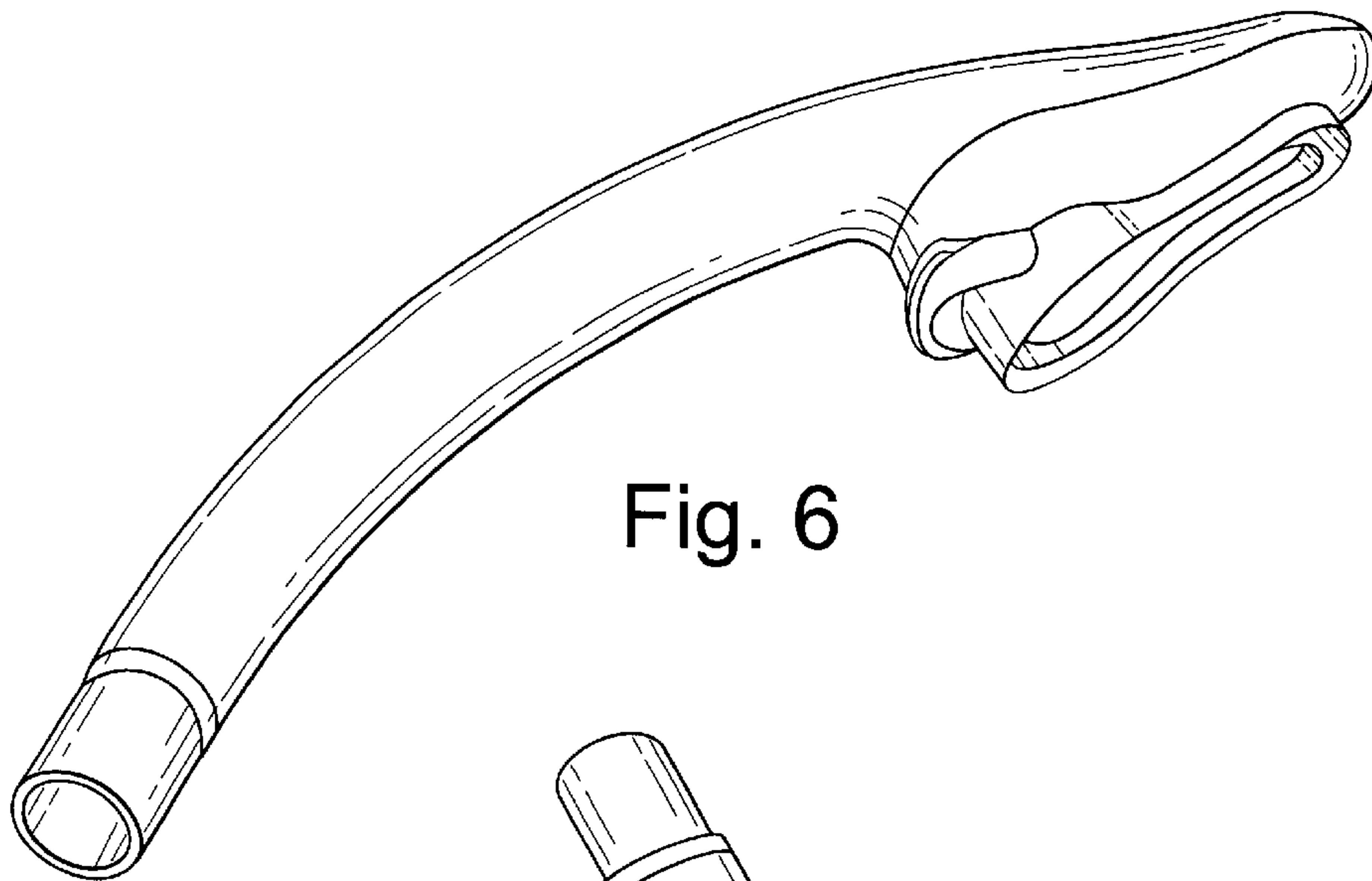


Fig. 6

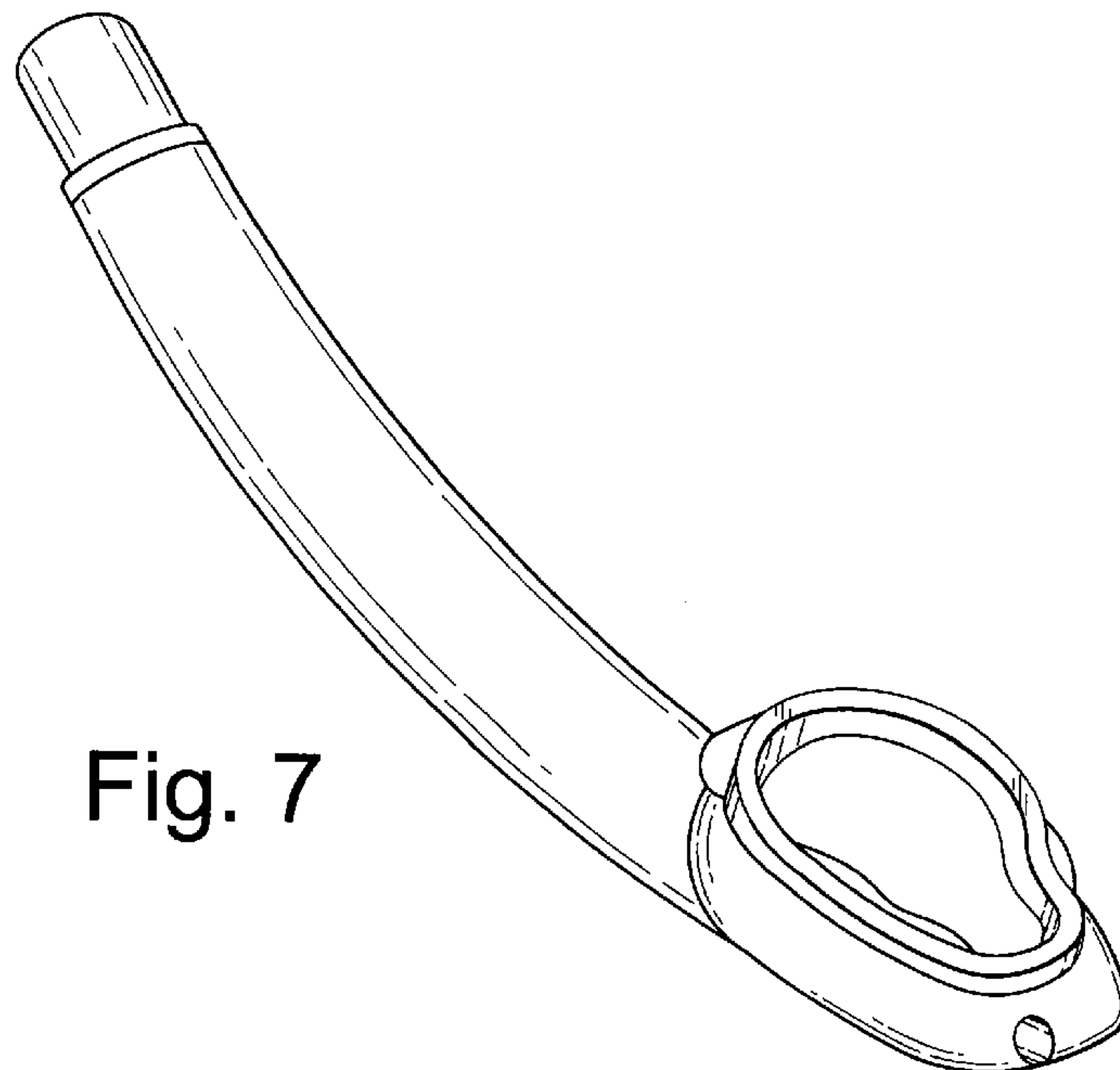


Fig. 7

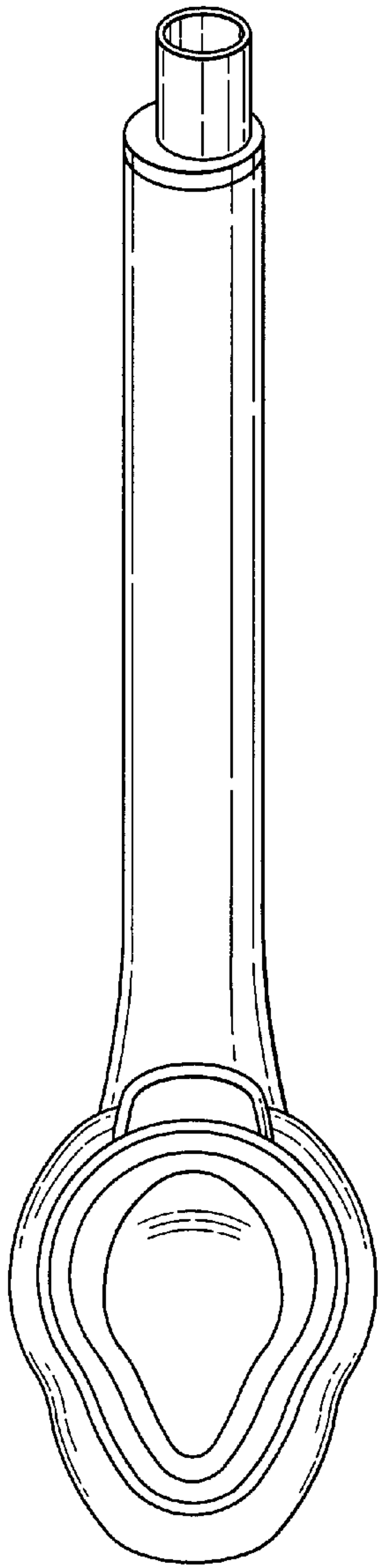


Fig.8

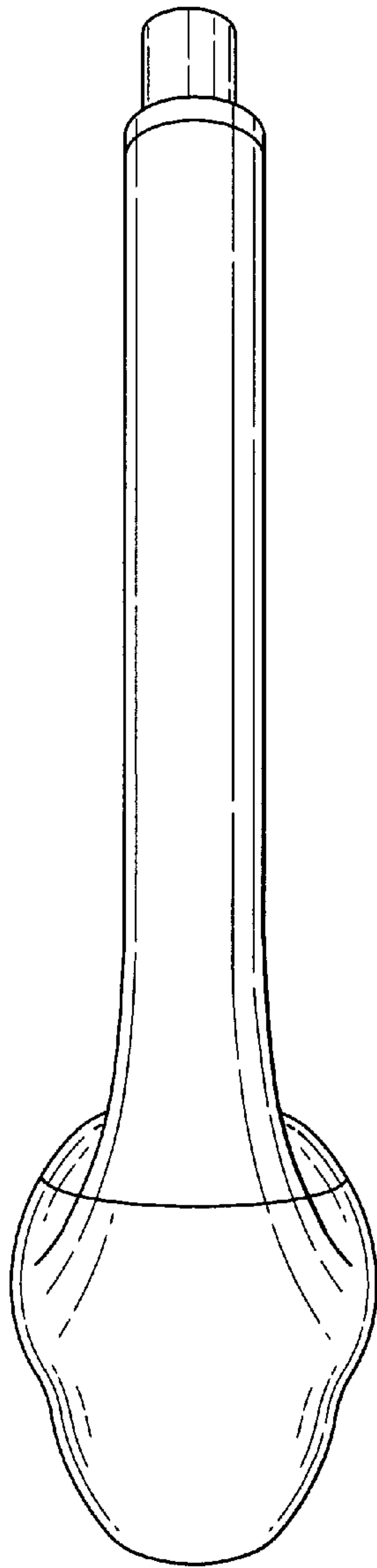


Fig.9



Fig.10



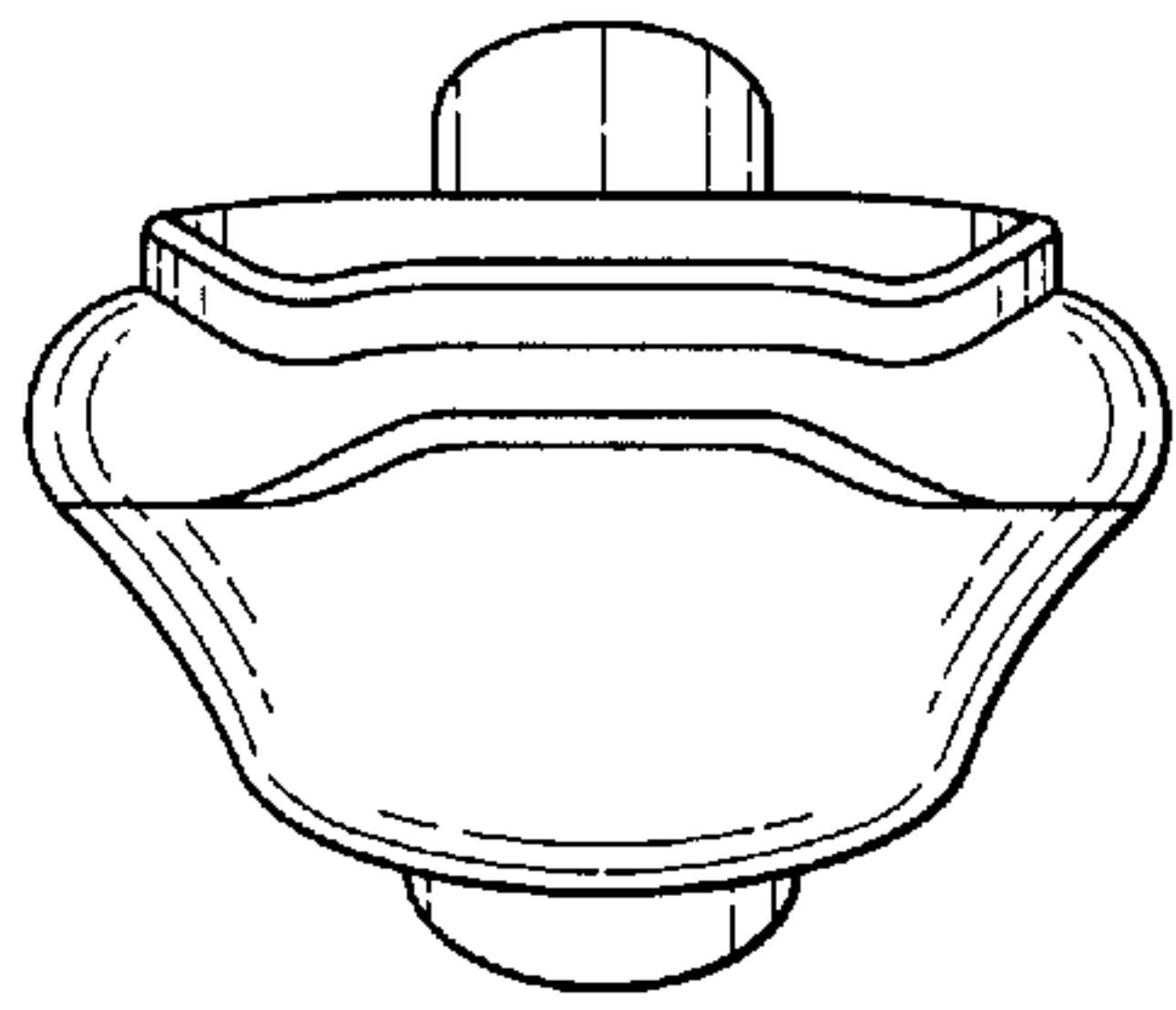


Fig. 11

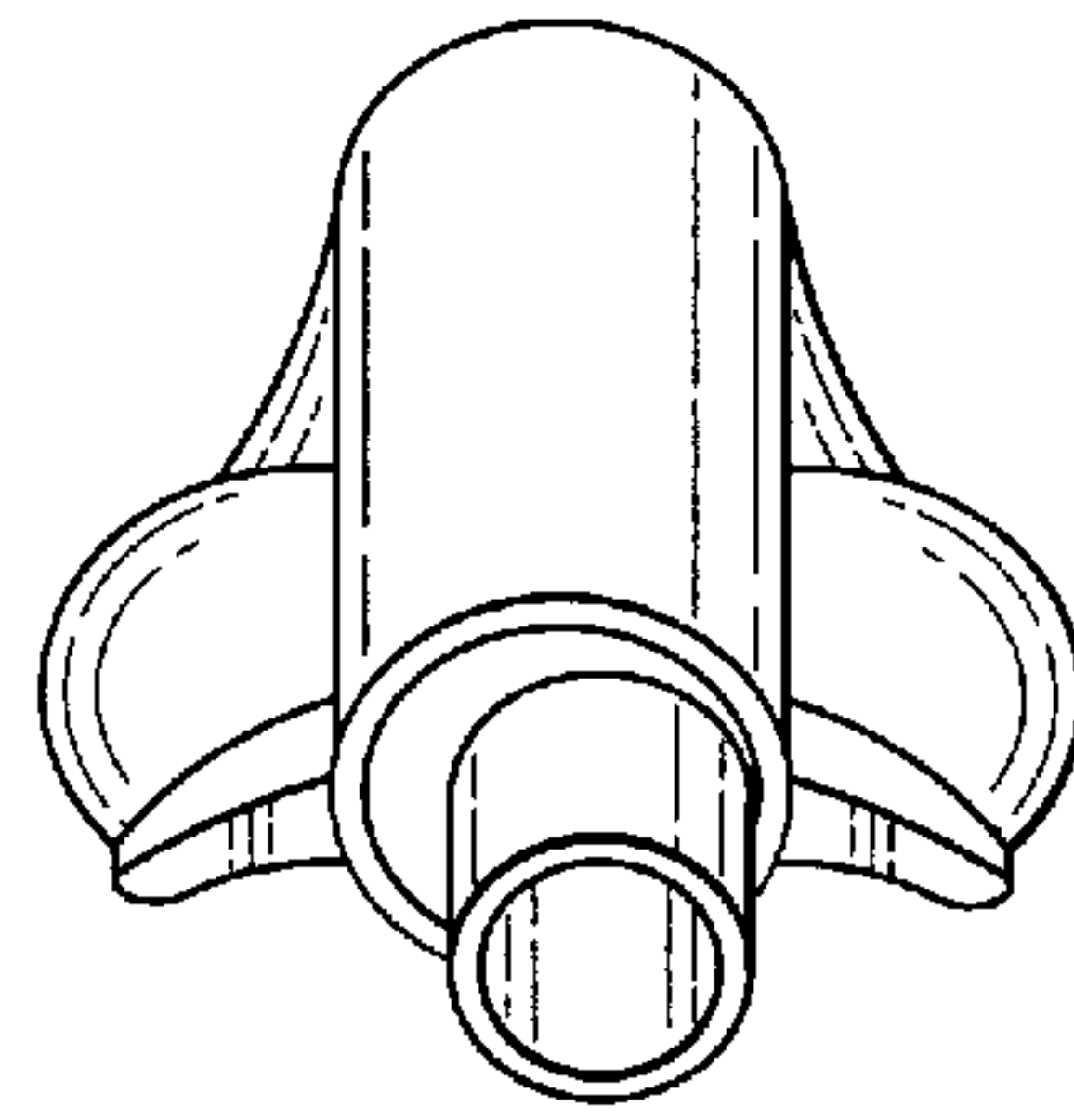


Fig. 12

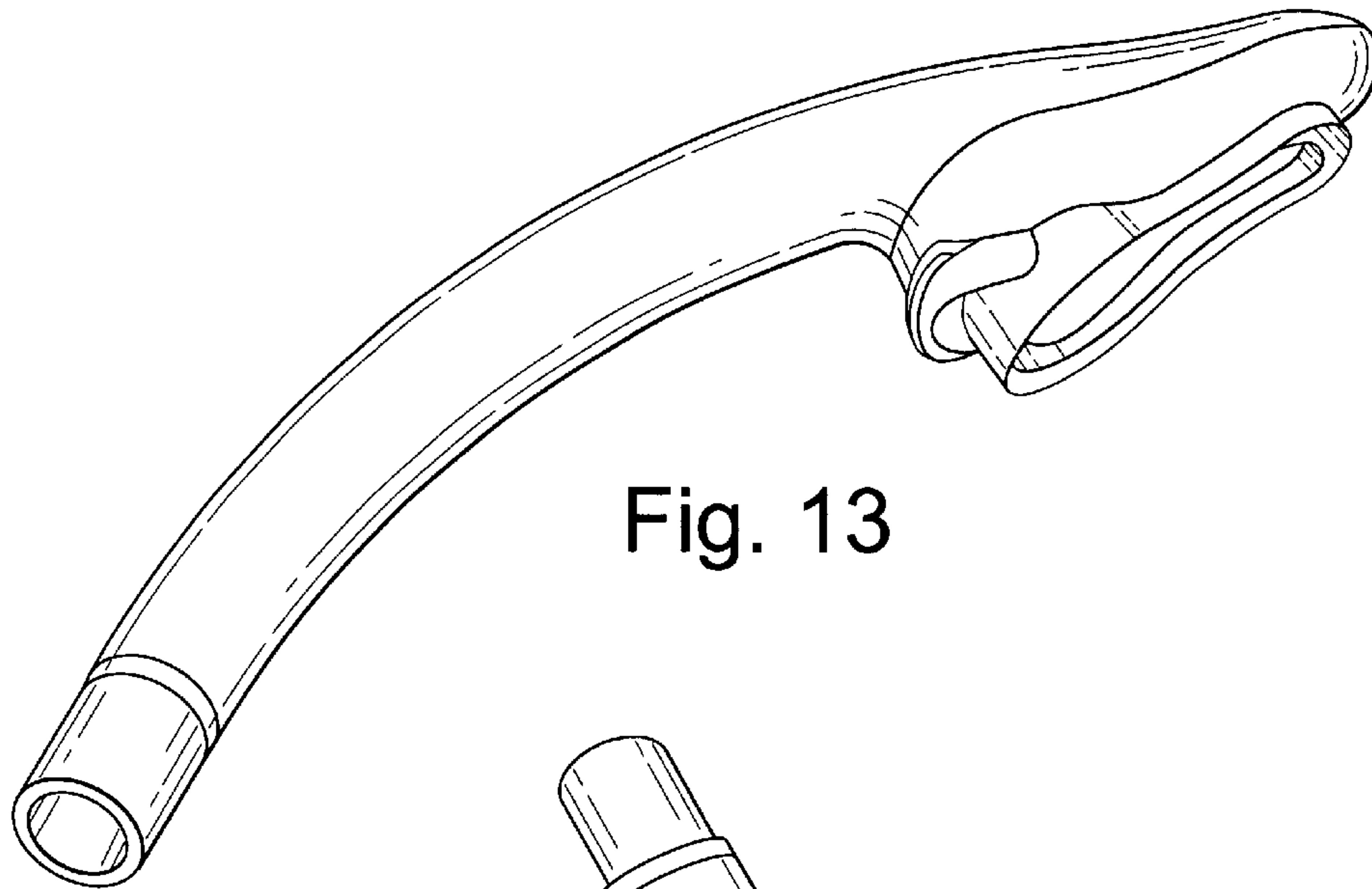


Fig. 13

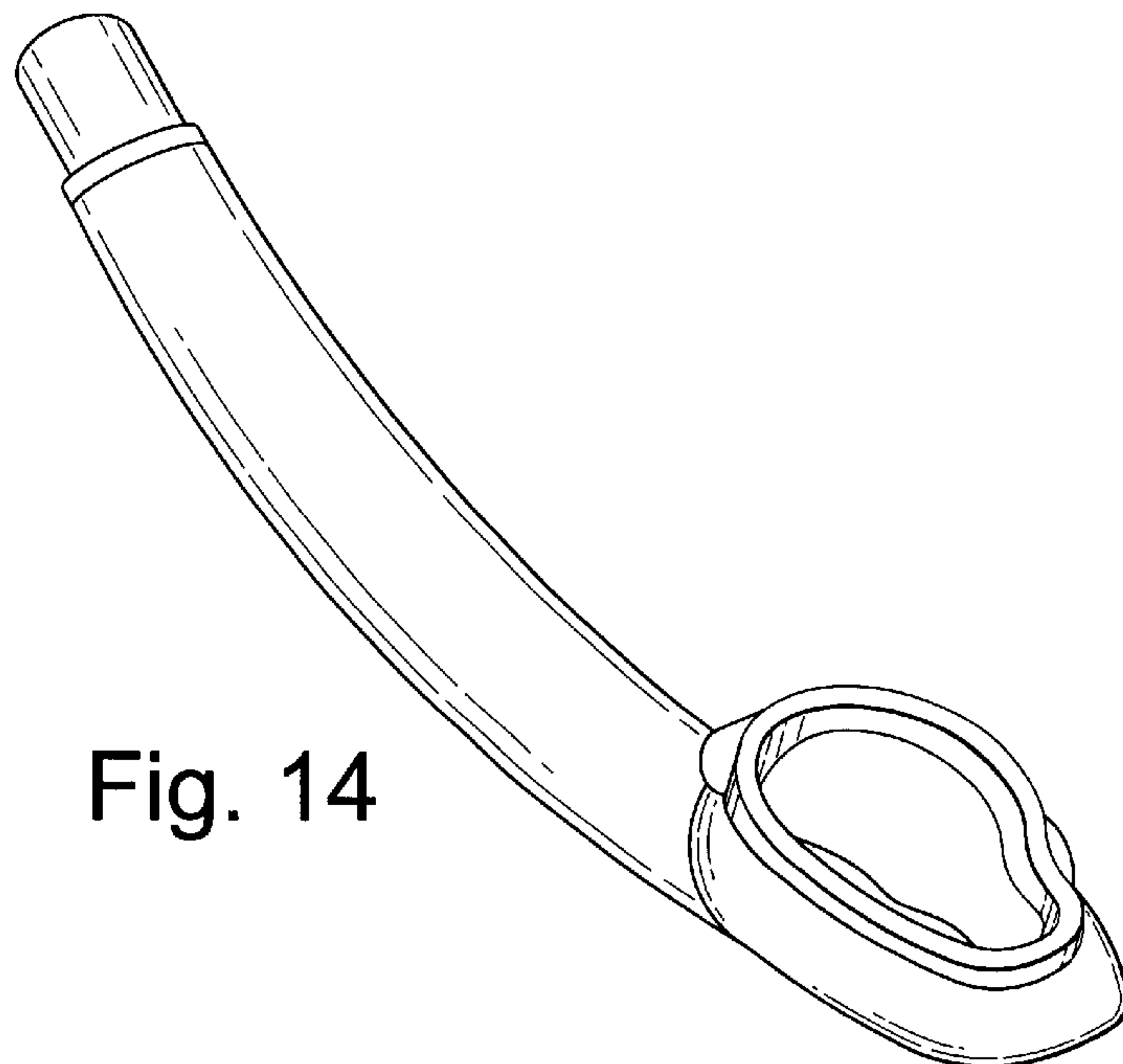


Fig. 14

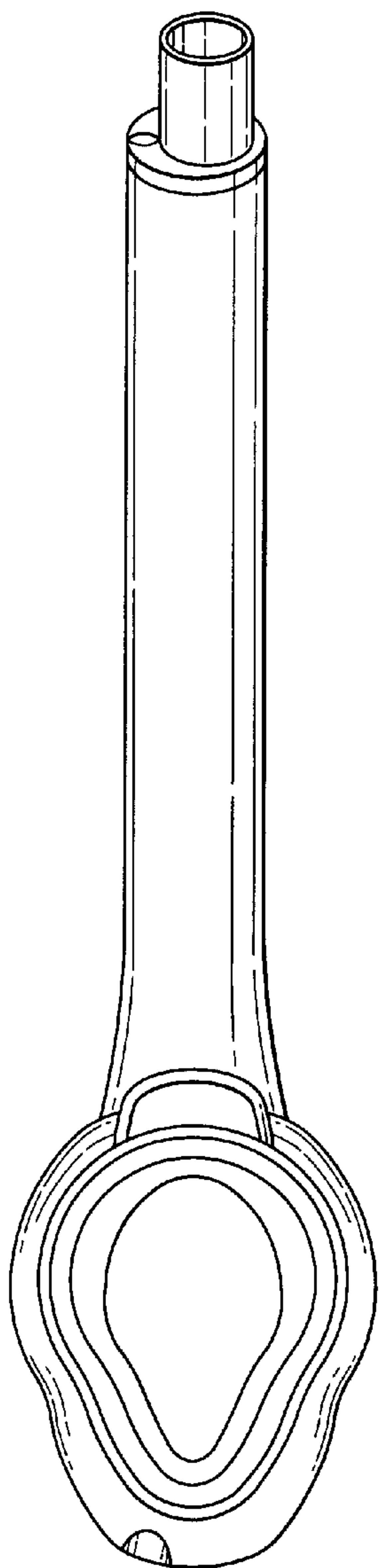


Fig. 15

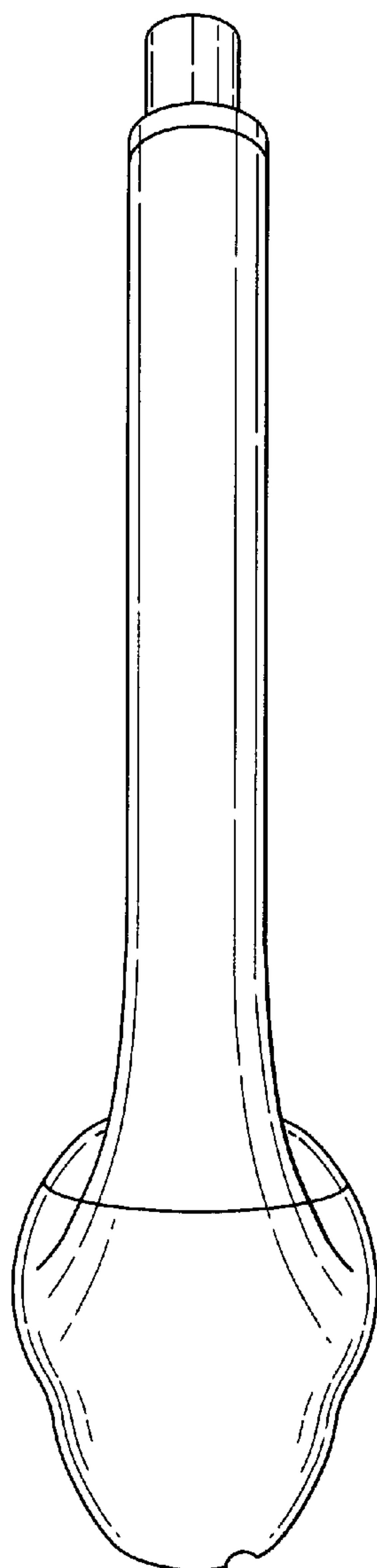


Fig. 16

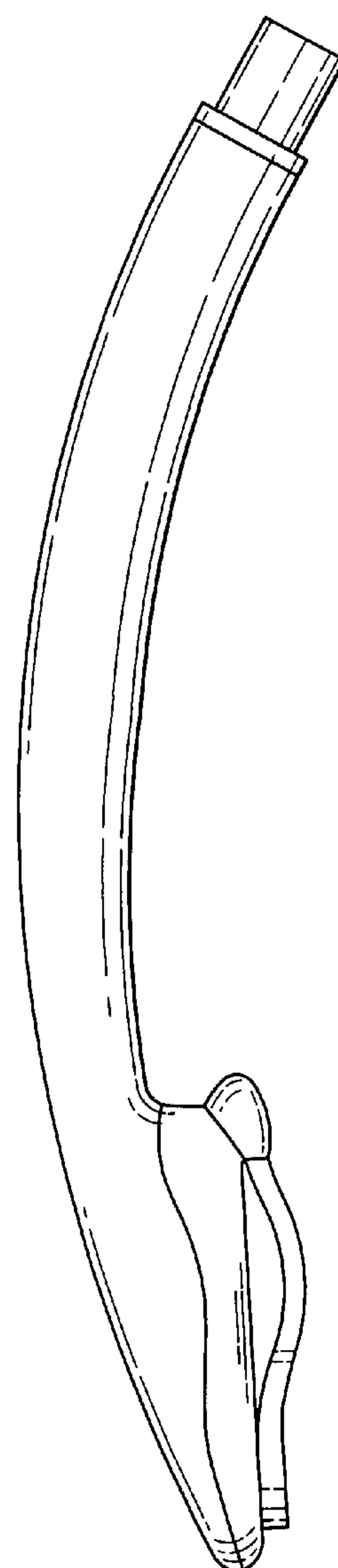


Fig. 17

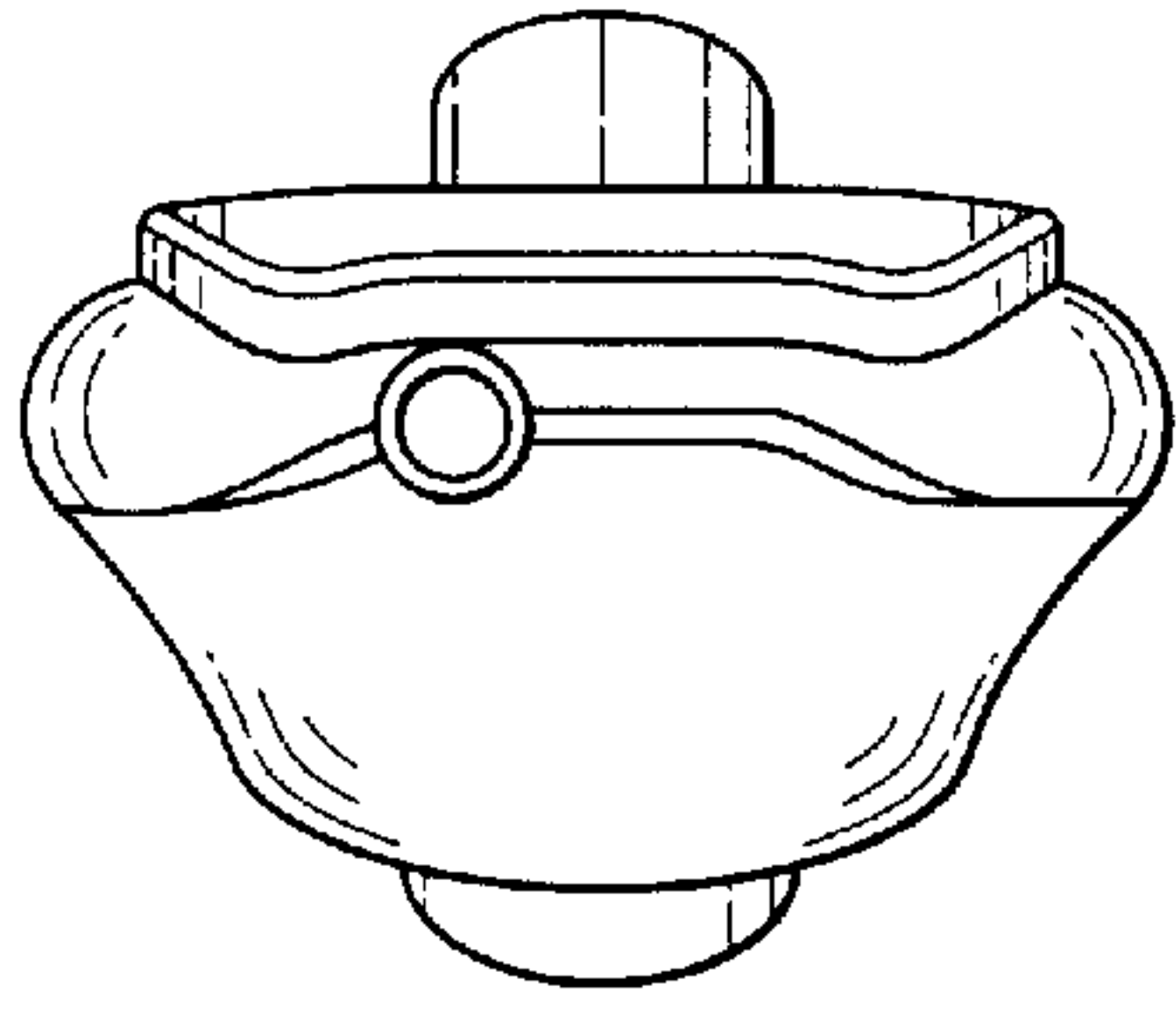


Fig. 18

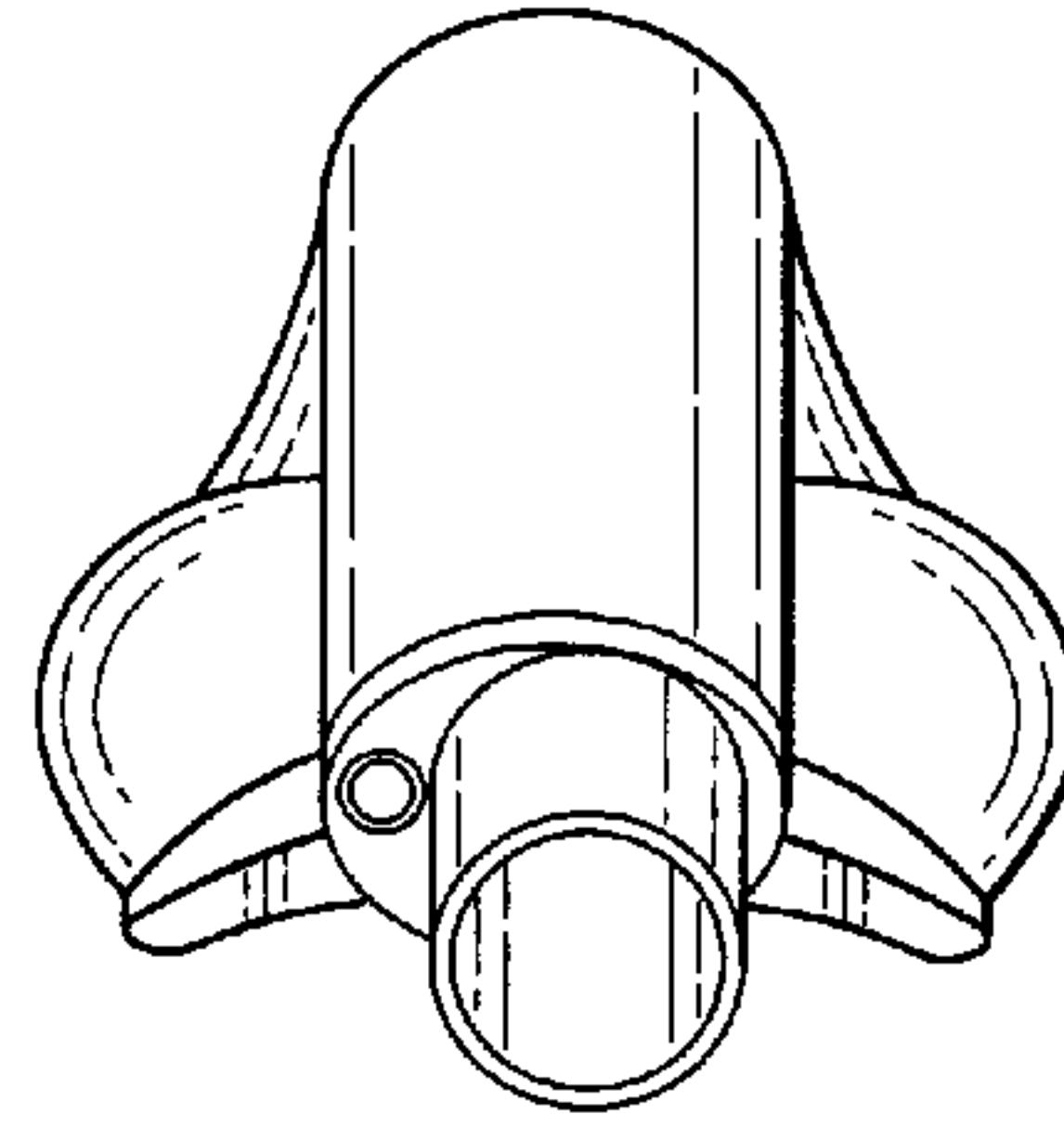


Fig. 19

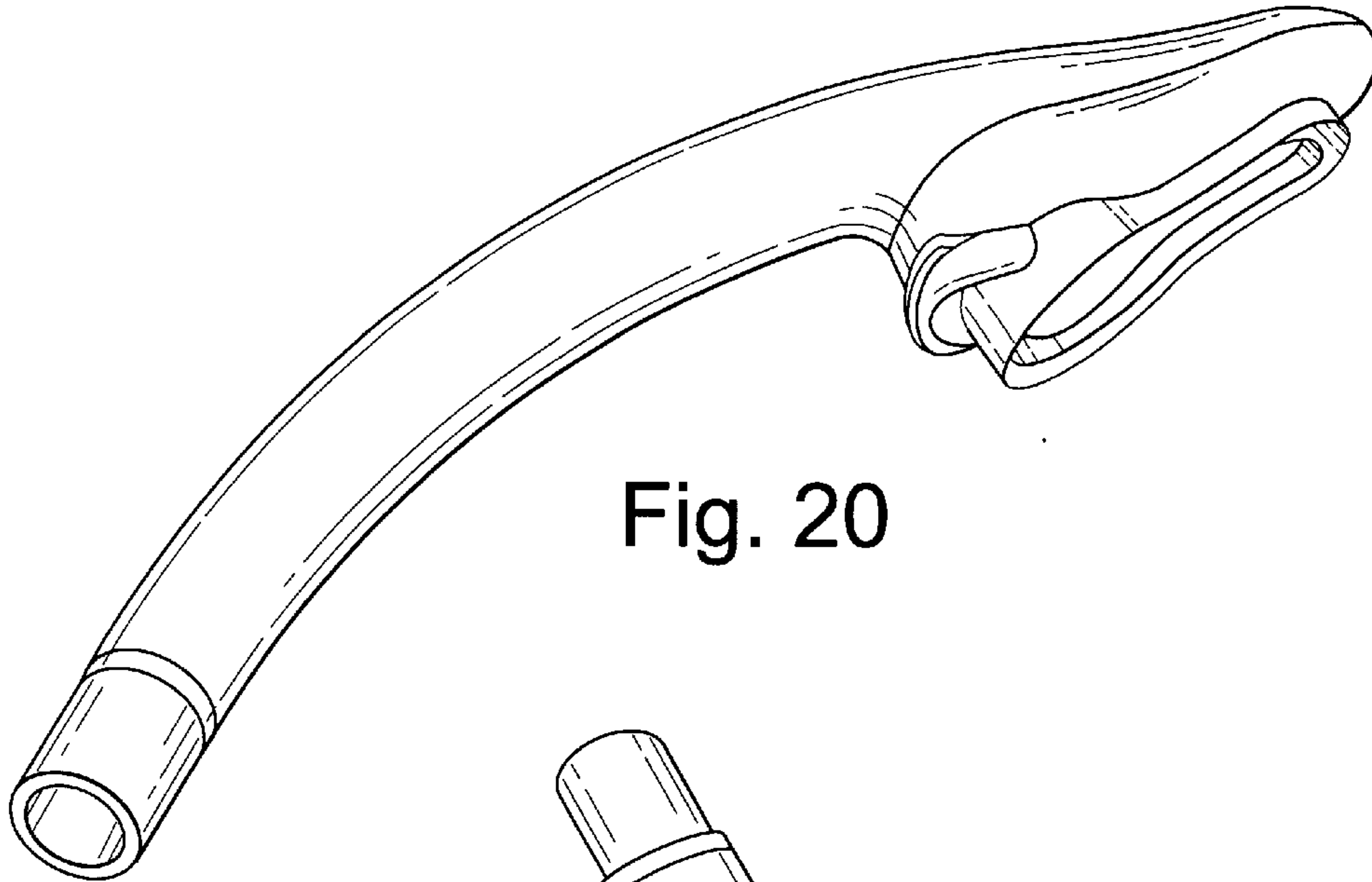


Fig. 20

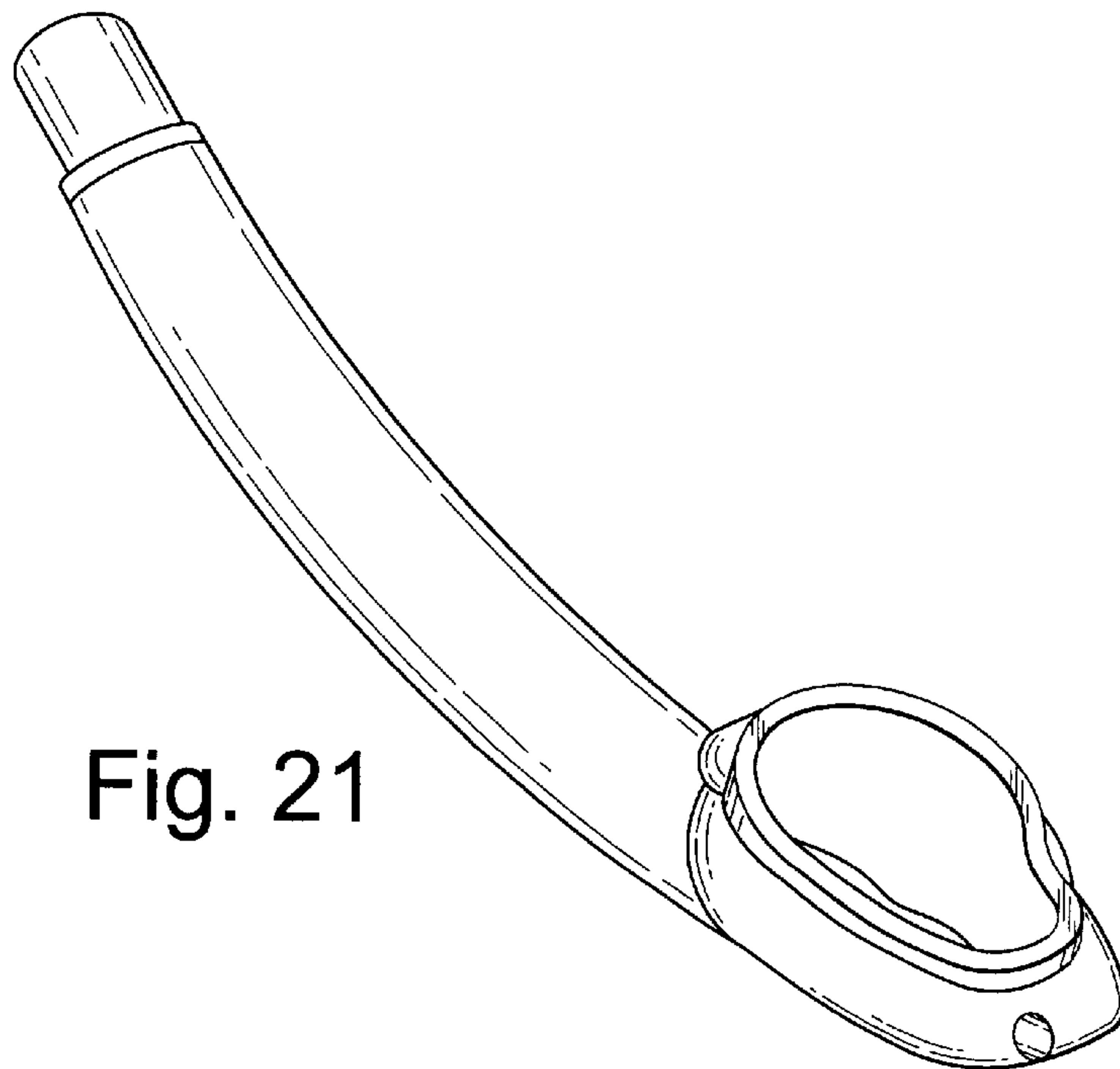


Fig. 21



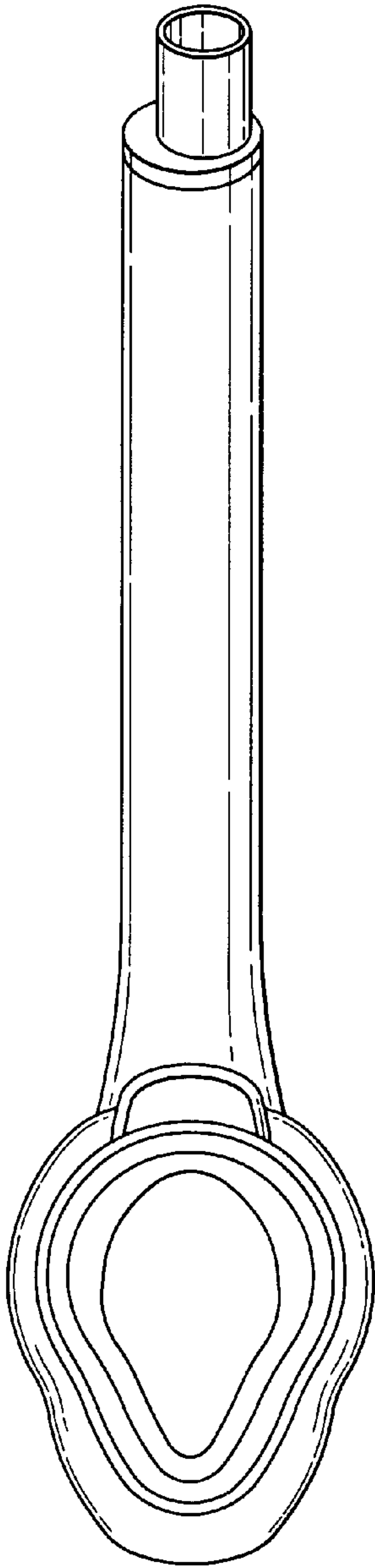


Fig.22

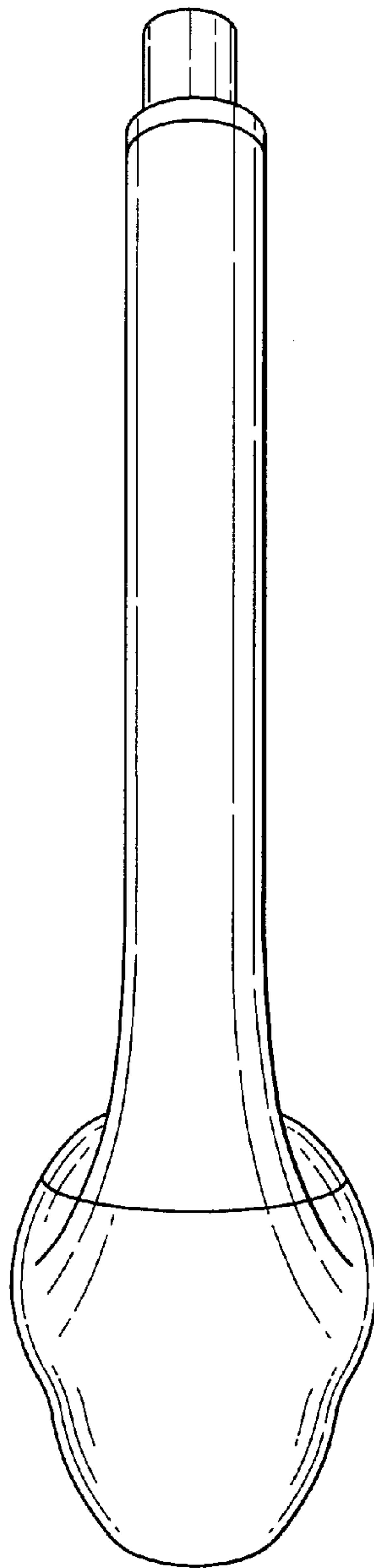


Fig.23

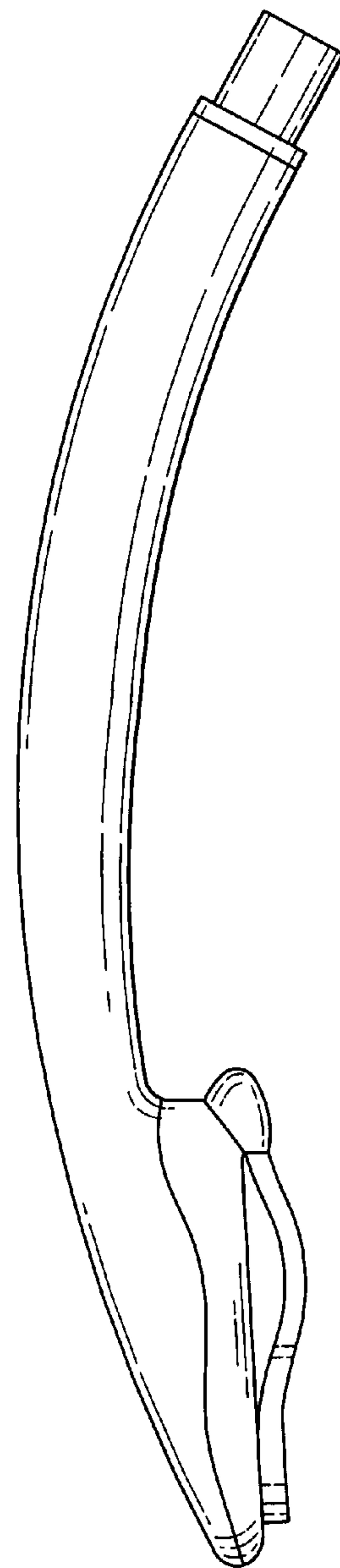


Fig.24

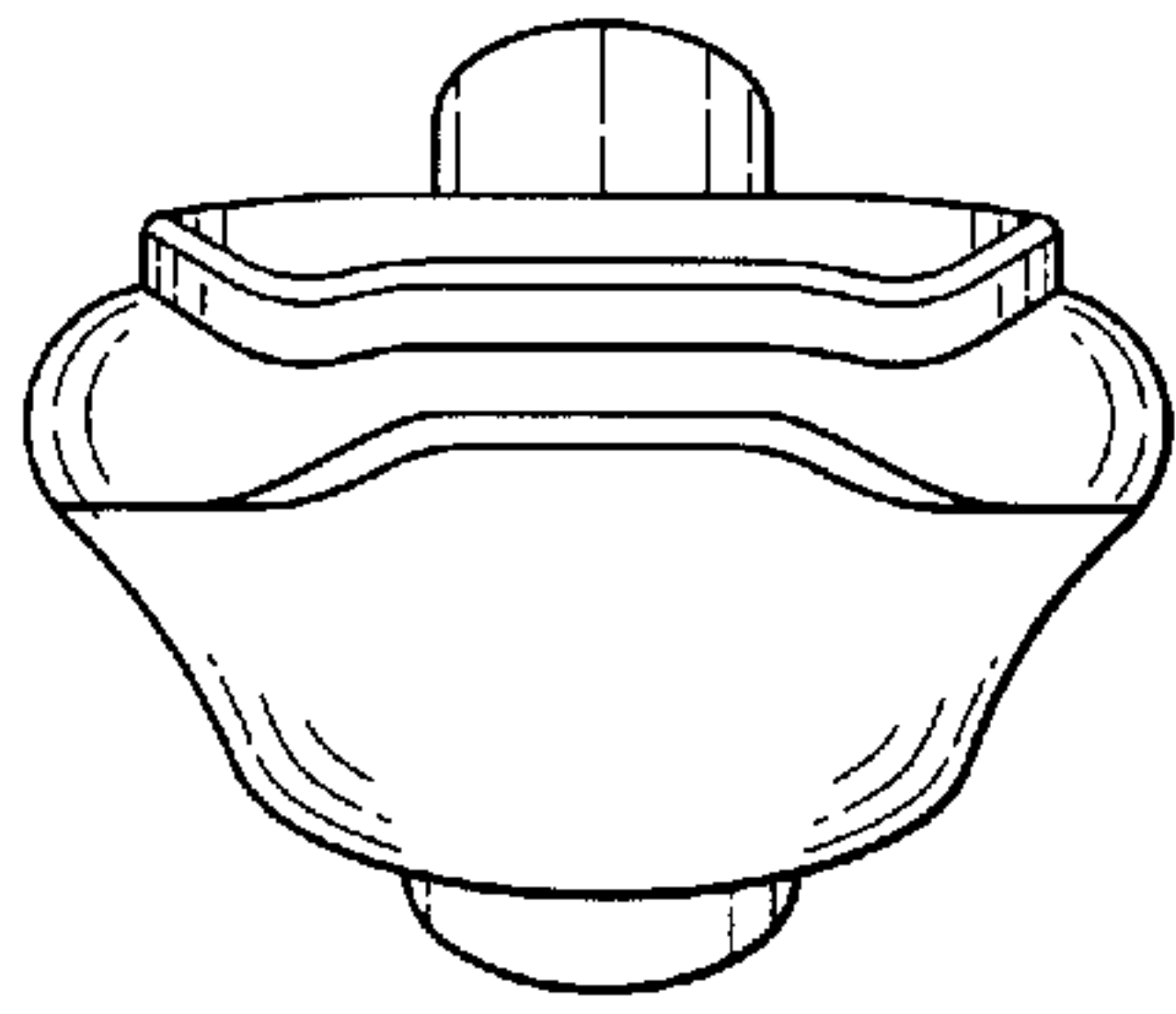


Fig.25

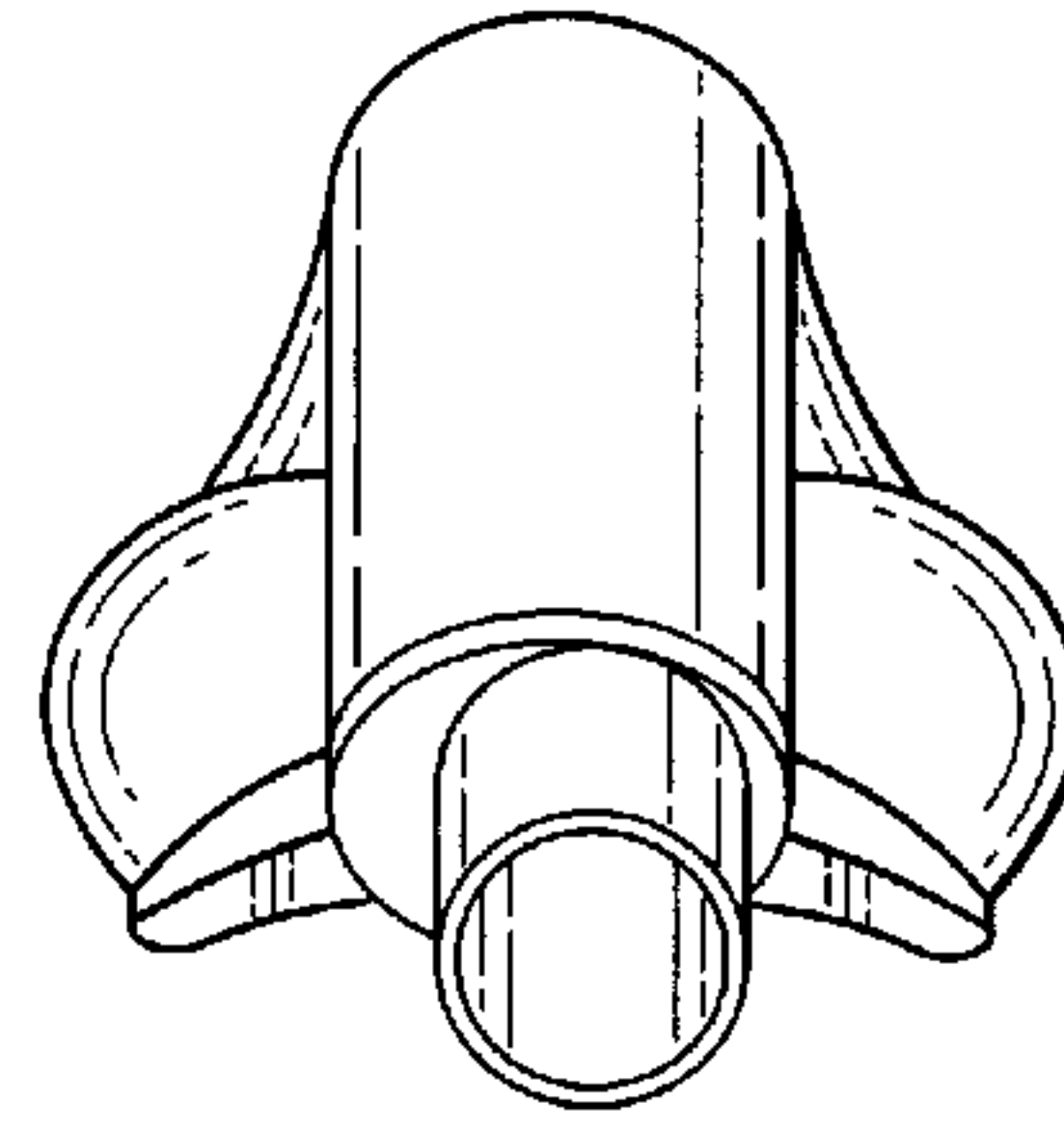


Fig.26

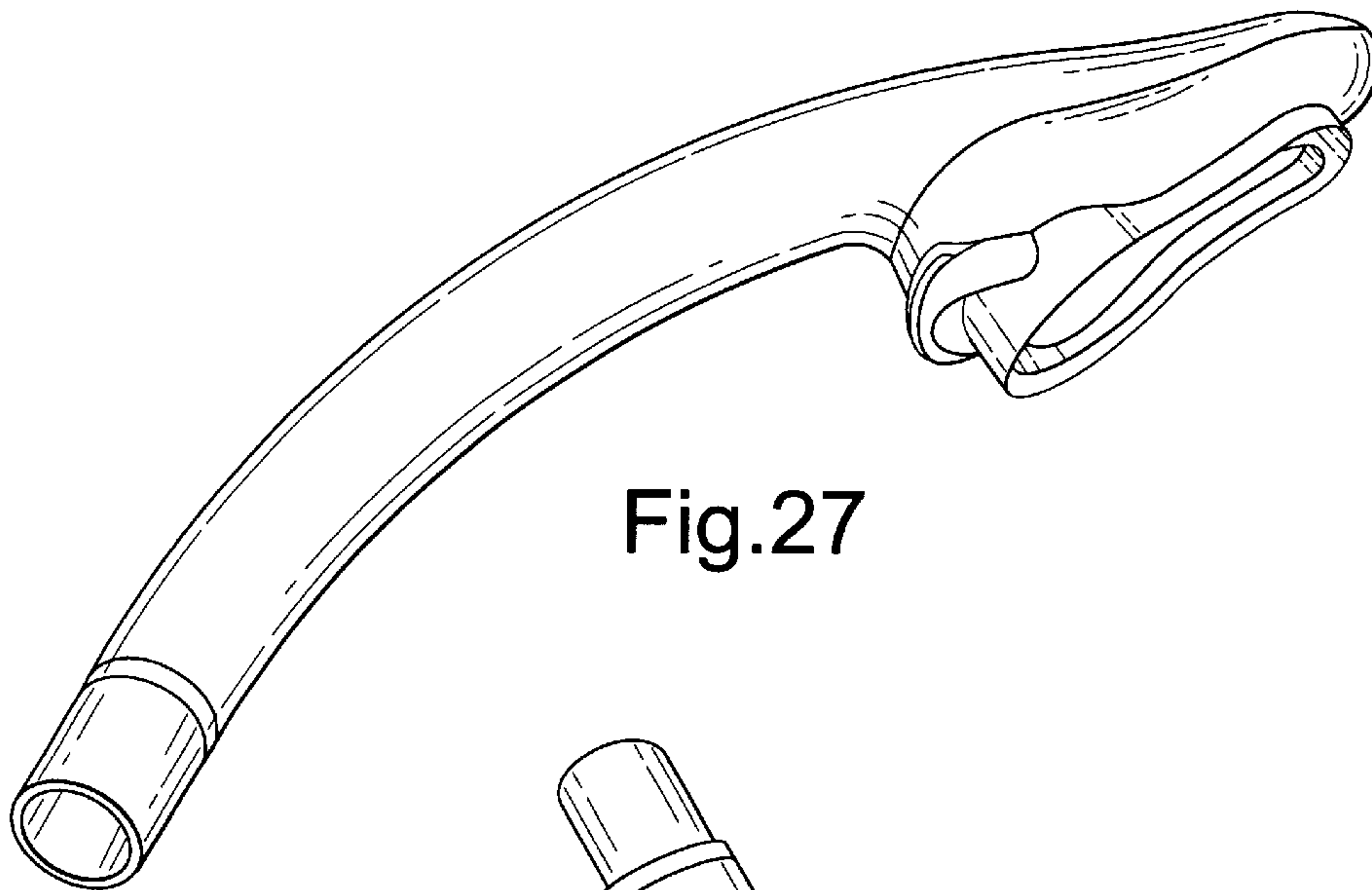


Fig.27

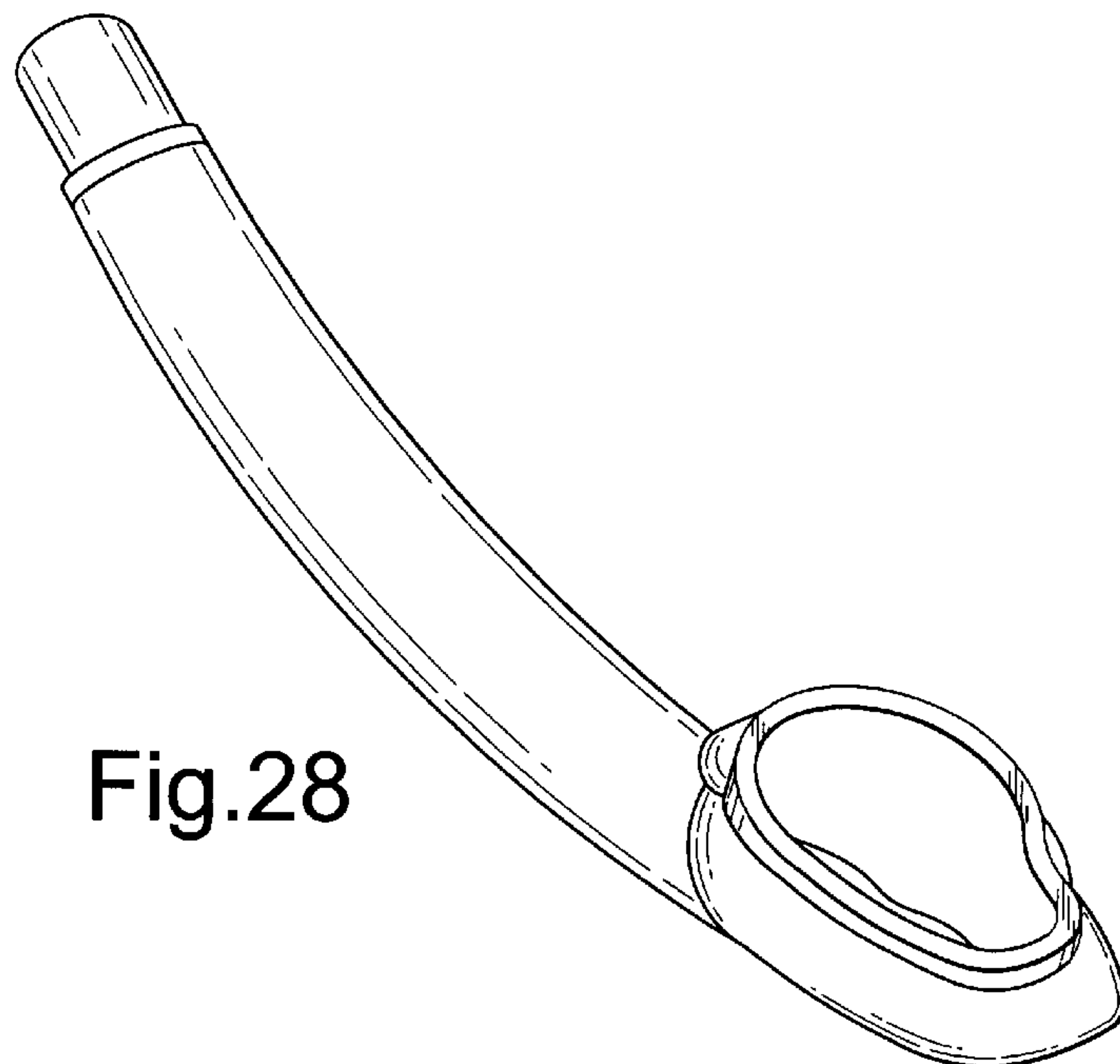


Fig.28

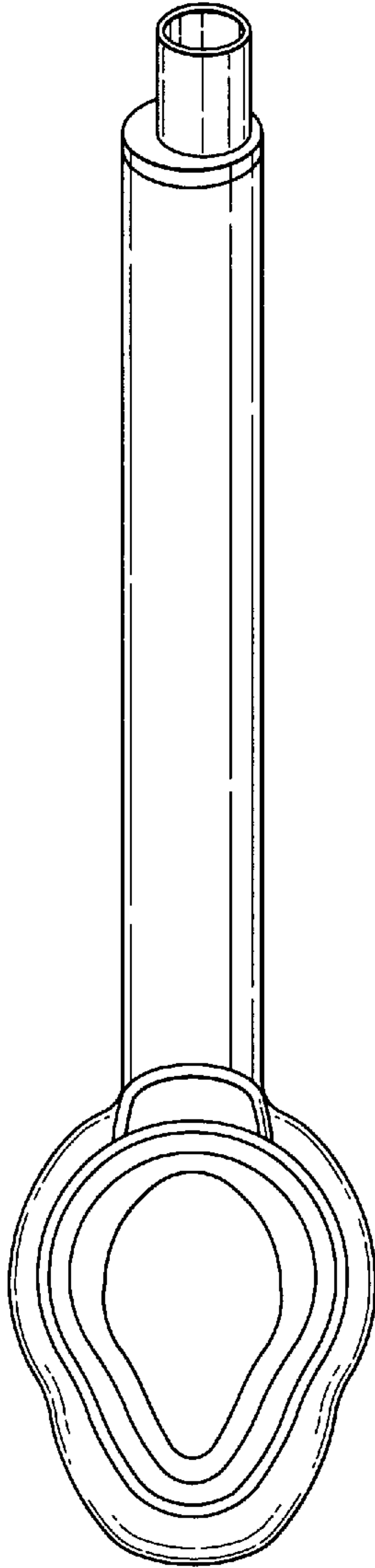


Fig.29

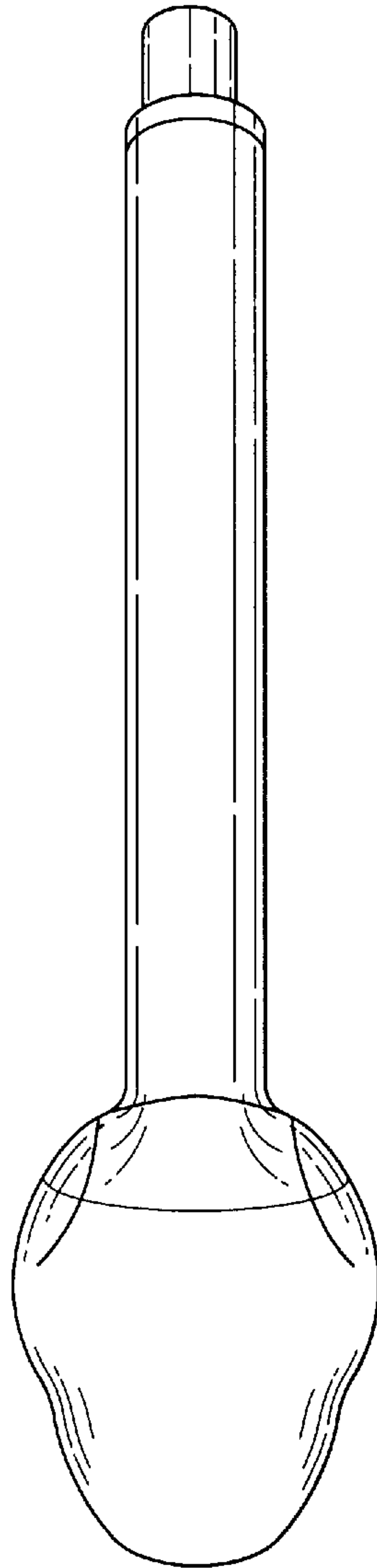


Fig.30



Fig.31

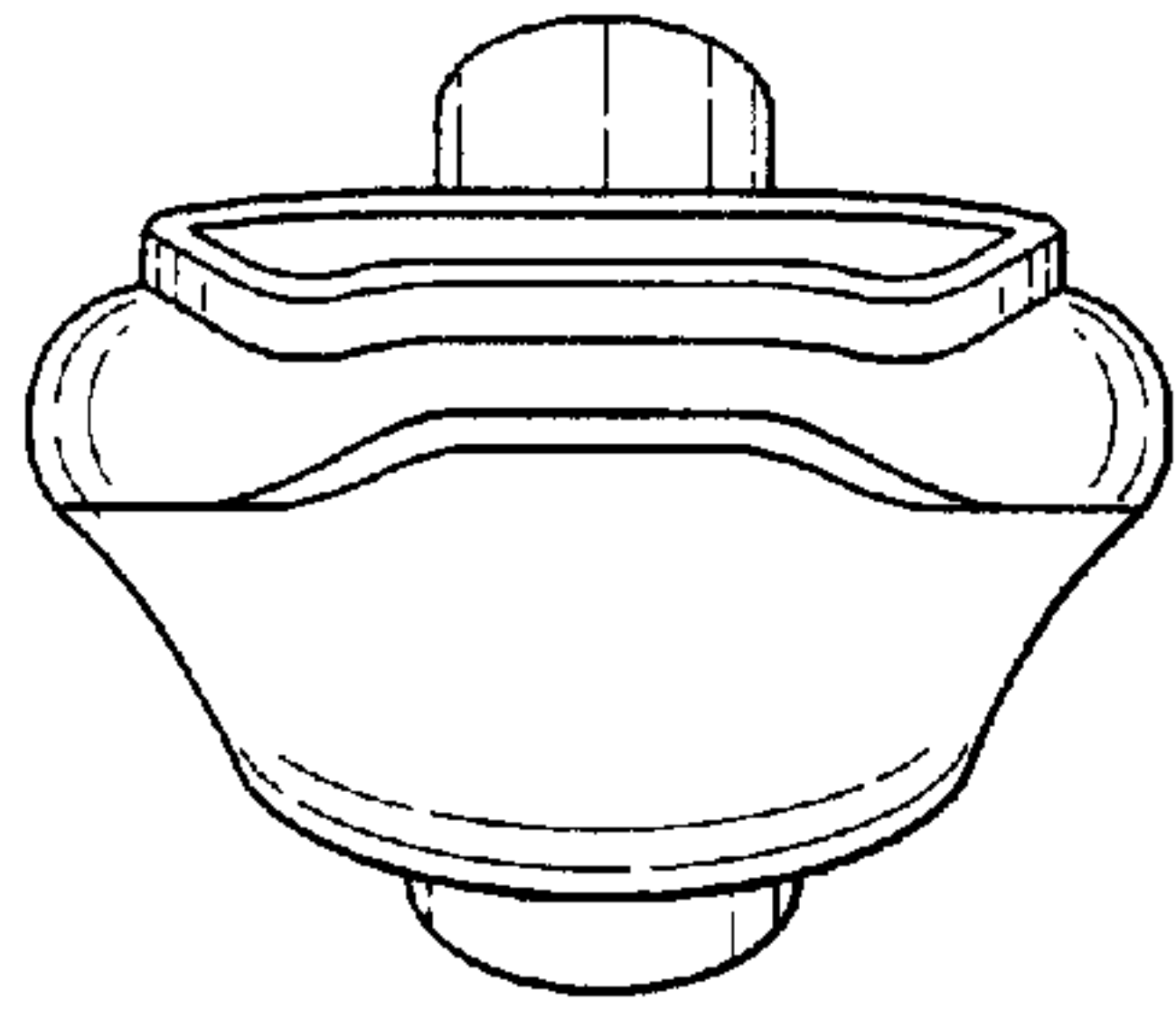


Fig.32

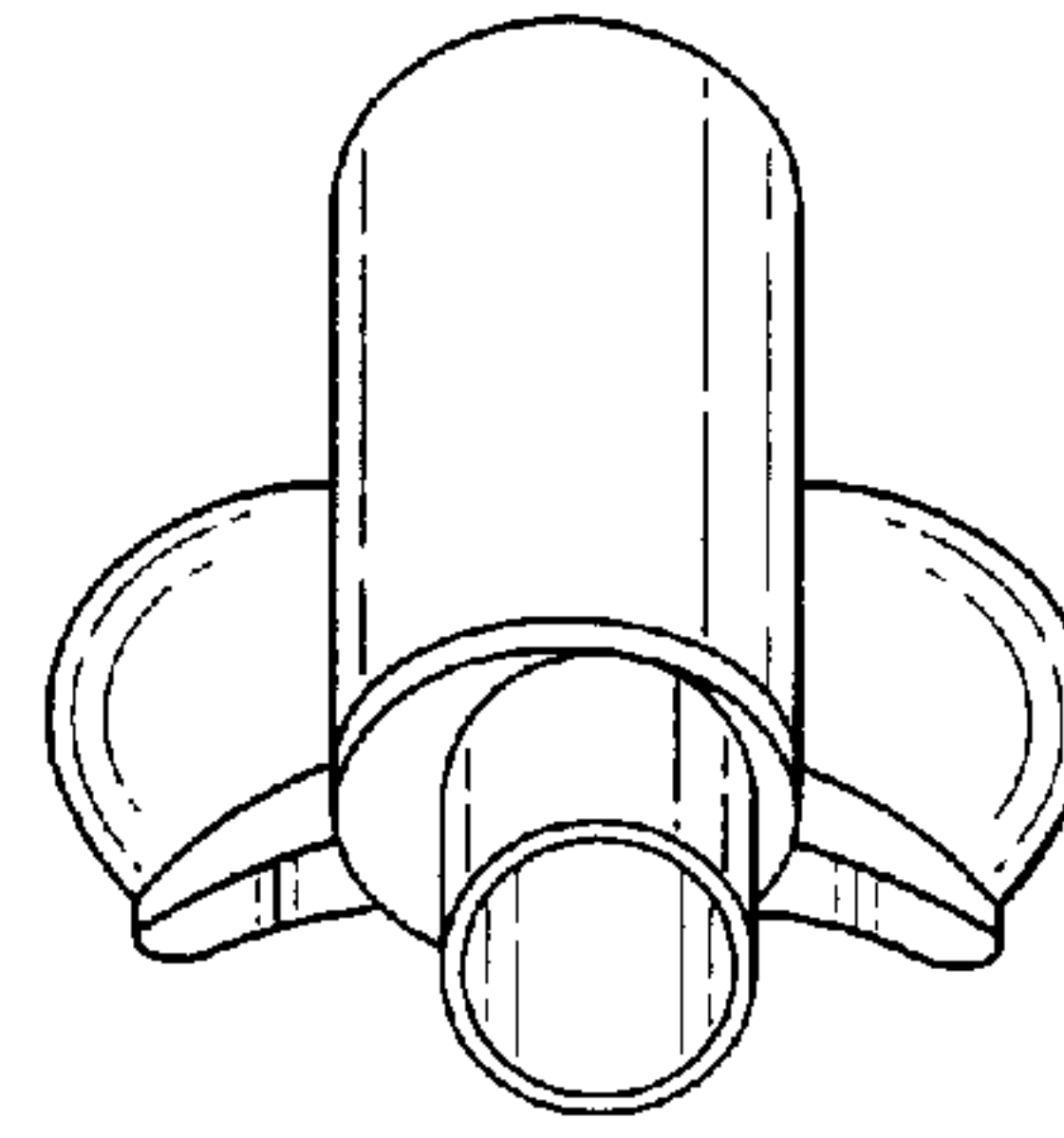


Fig.33

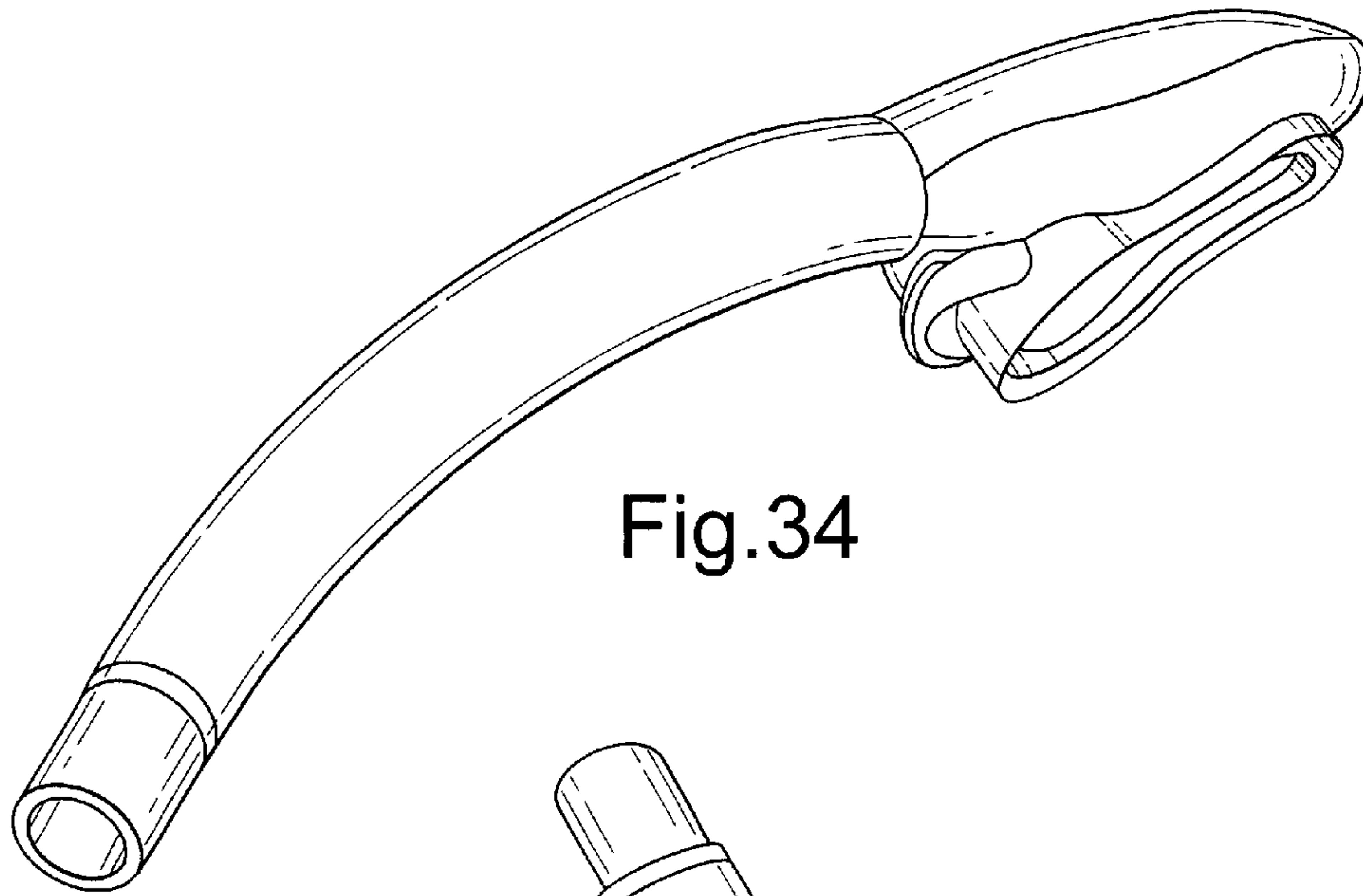


Fig.34

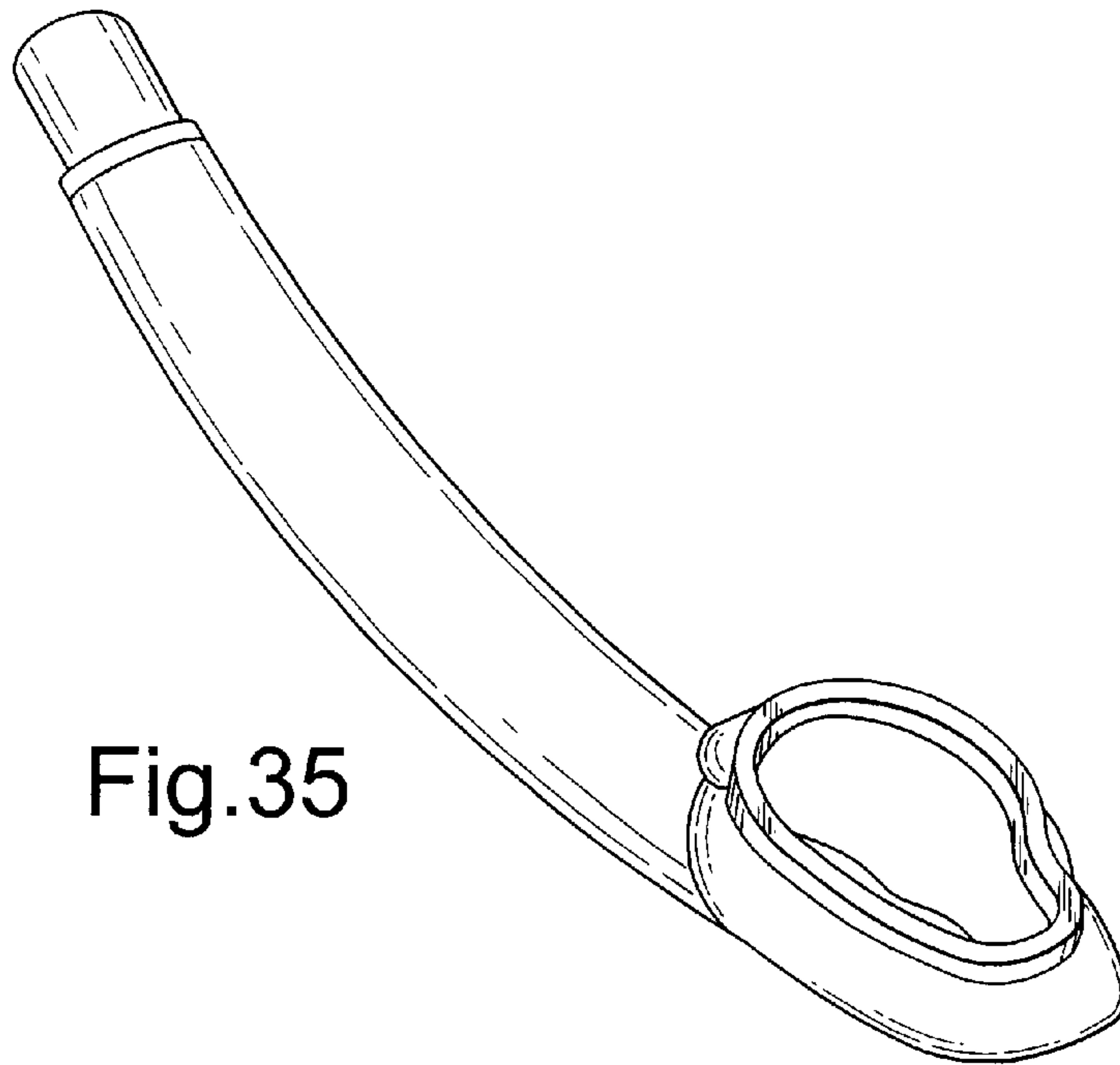


Fig.35