



US00D51888S

(12) **United States Design Patent**
Young

(10) **Patent No.:** **US D518,888 S**

(45) **Date of Patent:** **** Apr. 11, 2006**

(54) **CEILING FAN BLADE IRON**

(75) Inventor: **Stanfield Young**, Garden Grove, CA
(US)

(73) Assignee: **Minka Lighting, Inc.**, Corona, CA
(US)

(**) Term: **14 Years**

(21) Appl. No.: **29/195,923**

(22) Filed: **Dec. 18, 2003**

(51) **LOC (8) Cl.** **23-04**

(52) **U.S. Cl.** **D23/411**

(58) **Field of Classification Search** D23/411,
D23/413, 377, 379, 385; 416/5, 210 R
See application file for complete search history.

(56) **References Cited**

U.S. PATENT DOCUMENTS

D388,165 S	*	12/1997	Johnson	D23/411
D430,930 S	*	9/2000	Zuege	D23/411
D454,636 S	*	3/2002	Lantz	D23/413
D479,597 S	*	9/2003	Curtin	D23/413

OTHER PUBLICATIONS

Royal Pacific Internet Catalog; Bahama Palm Leaf & Carved Wood Blade Ceiling Fan, Model # 1012-BP, printed from www.fanshack.com, Nov. 17, 2003, Royal Pacific Ceiling Fans.

Fanimation Internet Catalog; The Louvre ceiling fan, Model No. FP1320GZ; Printed from www.fanimation.com, Feb. 20, 2004, Fanimation Fans.

Hampton Bay ceiling fan, Model No. 73554; Printed from www.homedepot.com, Feb. 20, 2004, Home Depot.

Kona Bay ceiling fan, Model No. K52AW; Printed from www.craftmade.com, Feb. 20, 2004, Craftmade International, Inc.

* cited by examiner

Primary Examiner—Lisa Lichtenstein

(74) *Attorney, Agent, or Firm*—Baker & McKenzie LLP

(57) **CLAIM**

The ornamental design for a ceiling fan blade iron, as shown and described.

DESCRIPTION

FIG. 1 is a perspective view from below of a ceiling fan blade iron in accordance with my design, illustrating the environment of said blade iron;

FIG. 2 is an enlarged perspective view from below of the ceiling fan blade iron in accordance with my design, illustrating the environment of said blade iron;

FIG. 3 is an enlarged perspective view from below of the ceiling fan blade iron in accordance with my design;

FIG. 4 is an enlarged perspective view from above of the ceiling fan blade iron in accordance with my design;

FIG. 5 is a bottom plan view of the ceiling fan blade iron in accordance with my design;

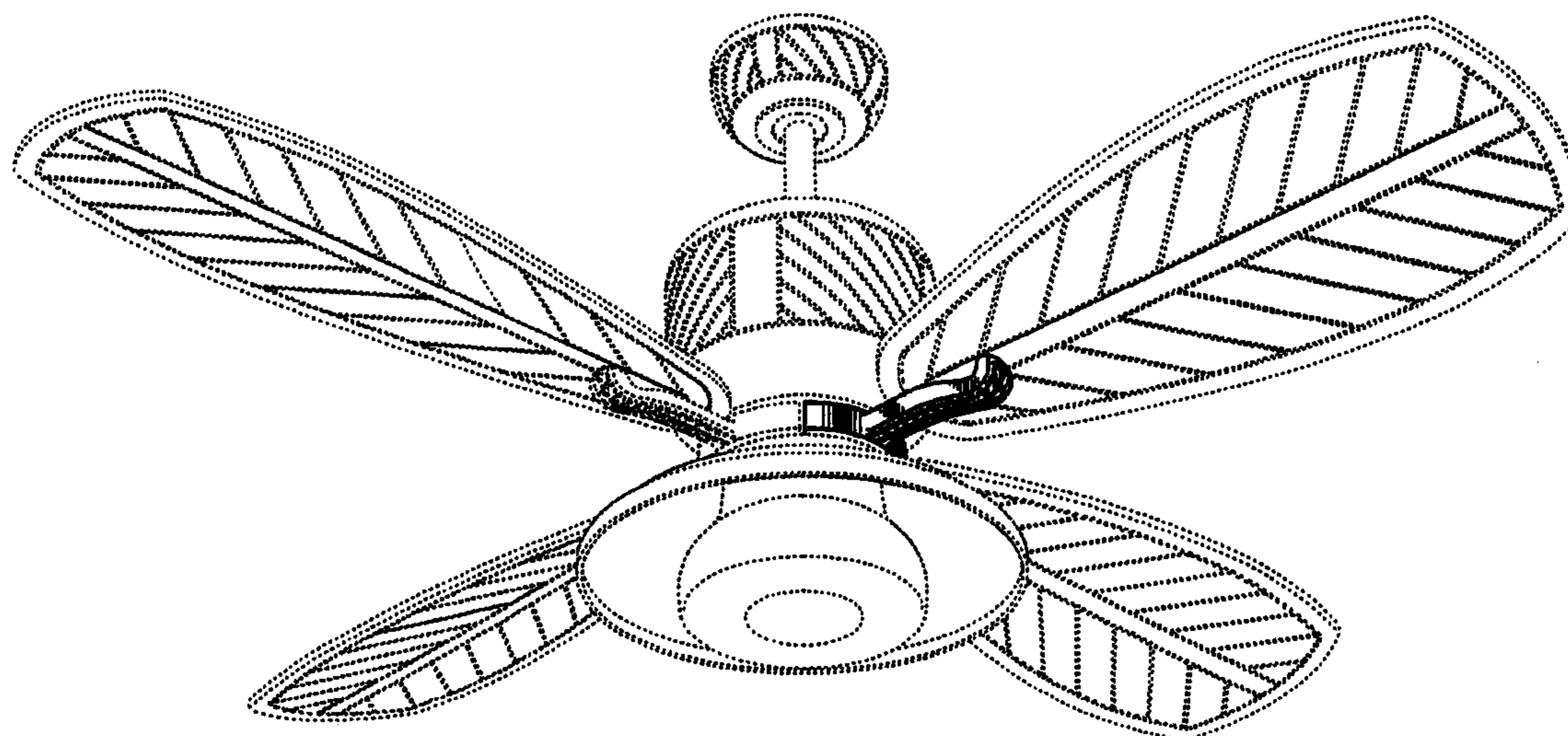
FIG. 6 is a side elevation view of the ceiling fan blade iron in accordance with my design; the opposite side being a mirror image of that shown

FIG. 7 is a proximal view of the ceiling fan blade iron in accordance with my design; and,

FIG. 8 is a distal view of the ceiling fan blade iron in accordance with my design, illustrating the environment of said blade iron.

The broken lines showing environmental structure are for illustrative purposes and form no part of the claimed design.

1 Claim, 4 Drawing Sheets



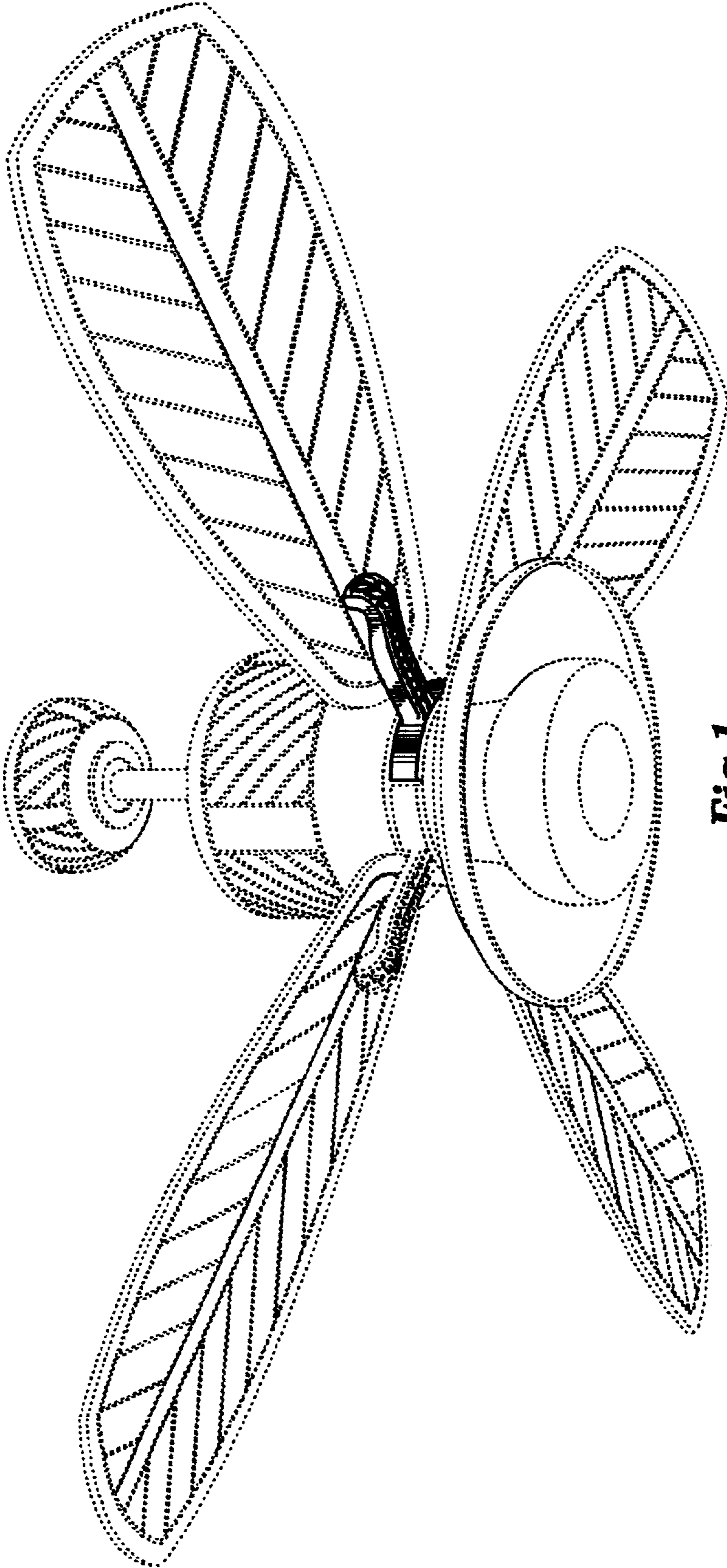


Fig. 1

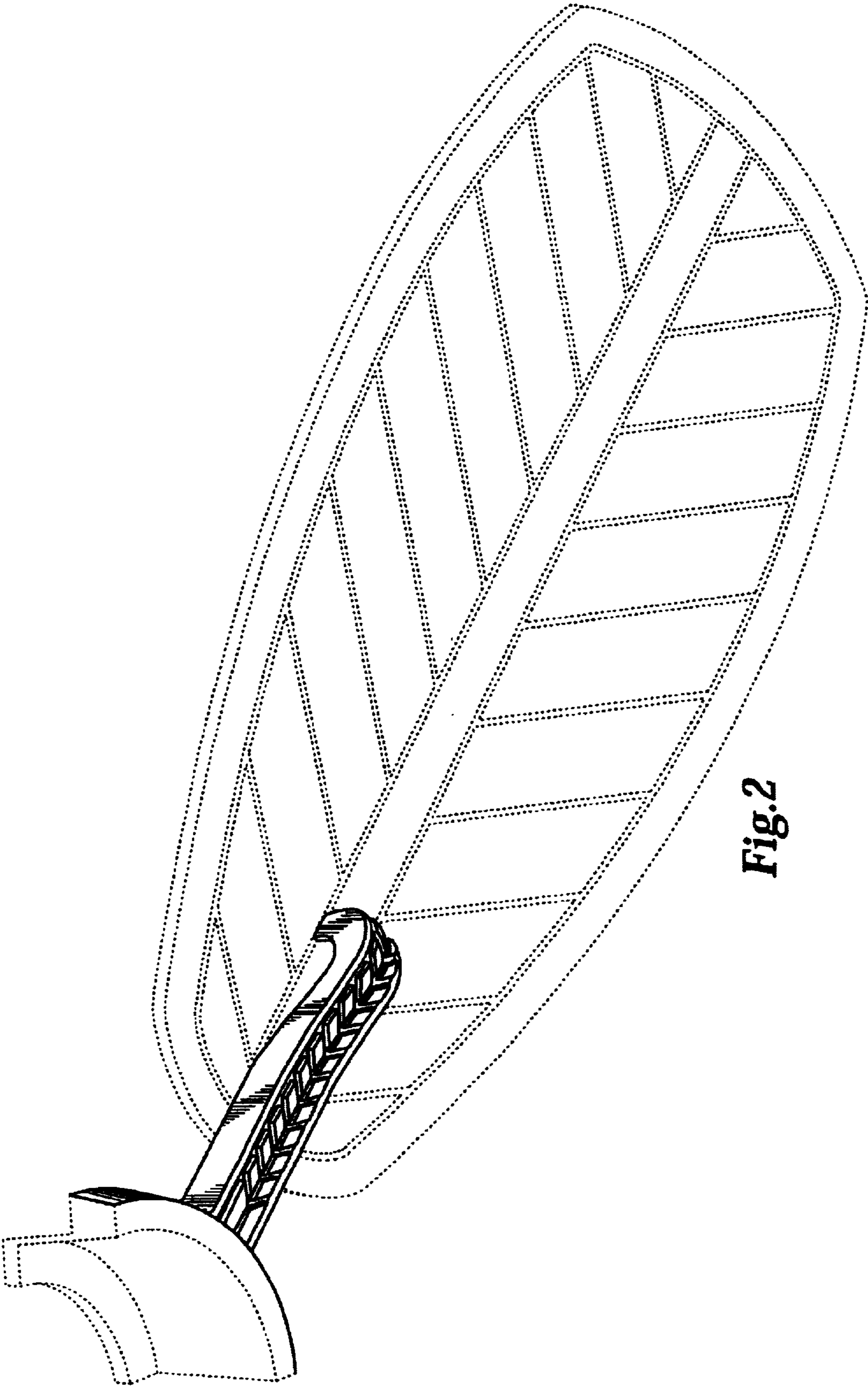
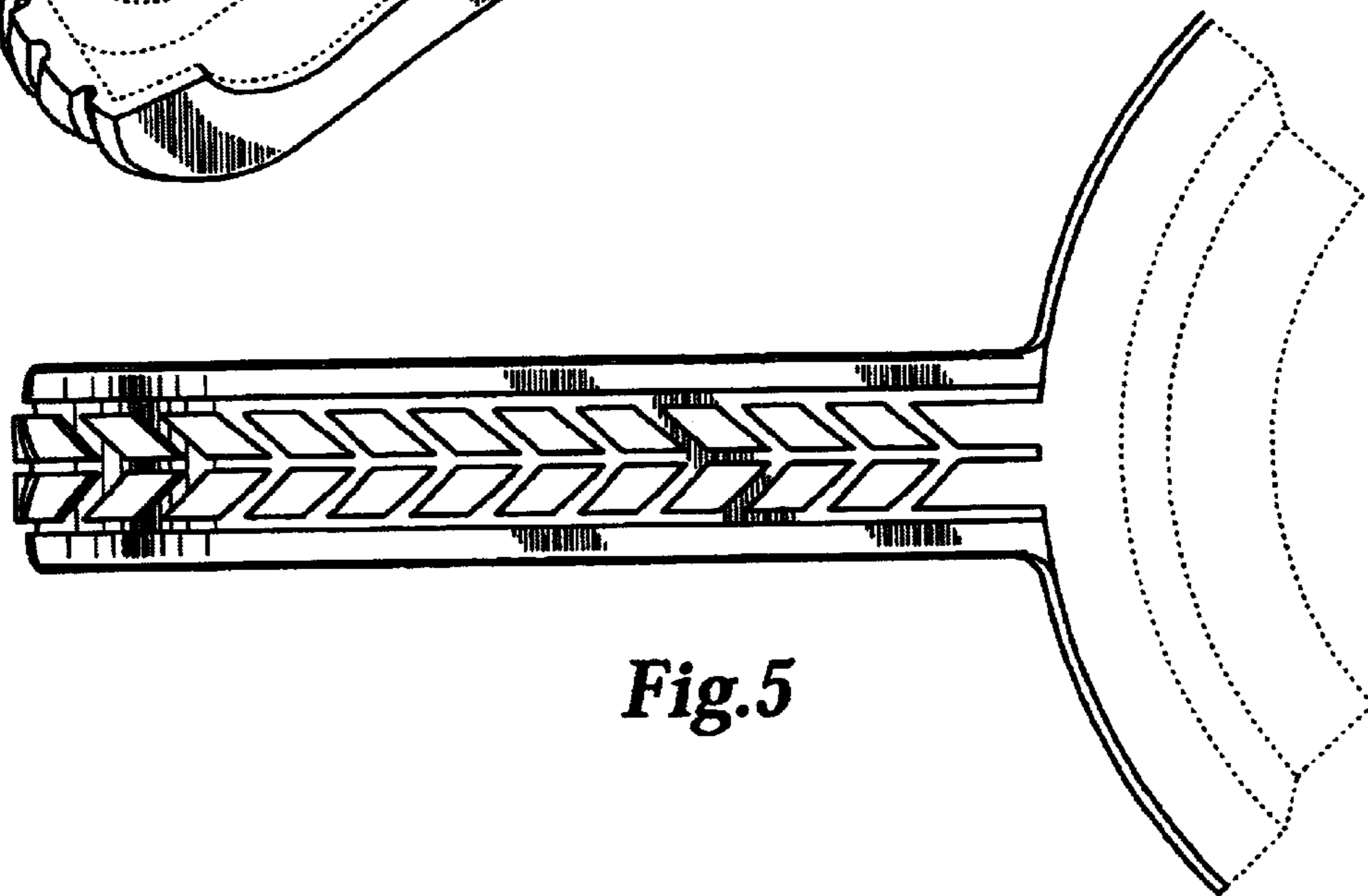
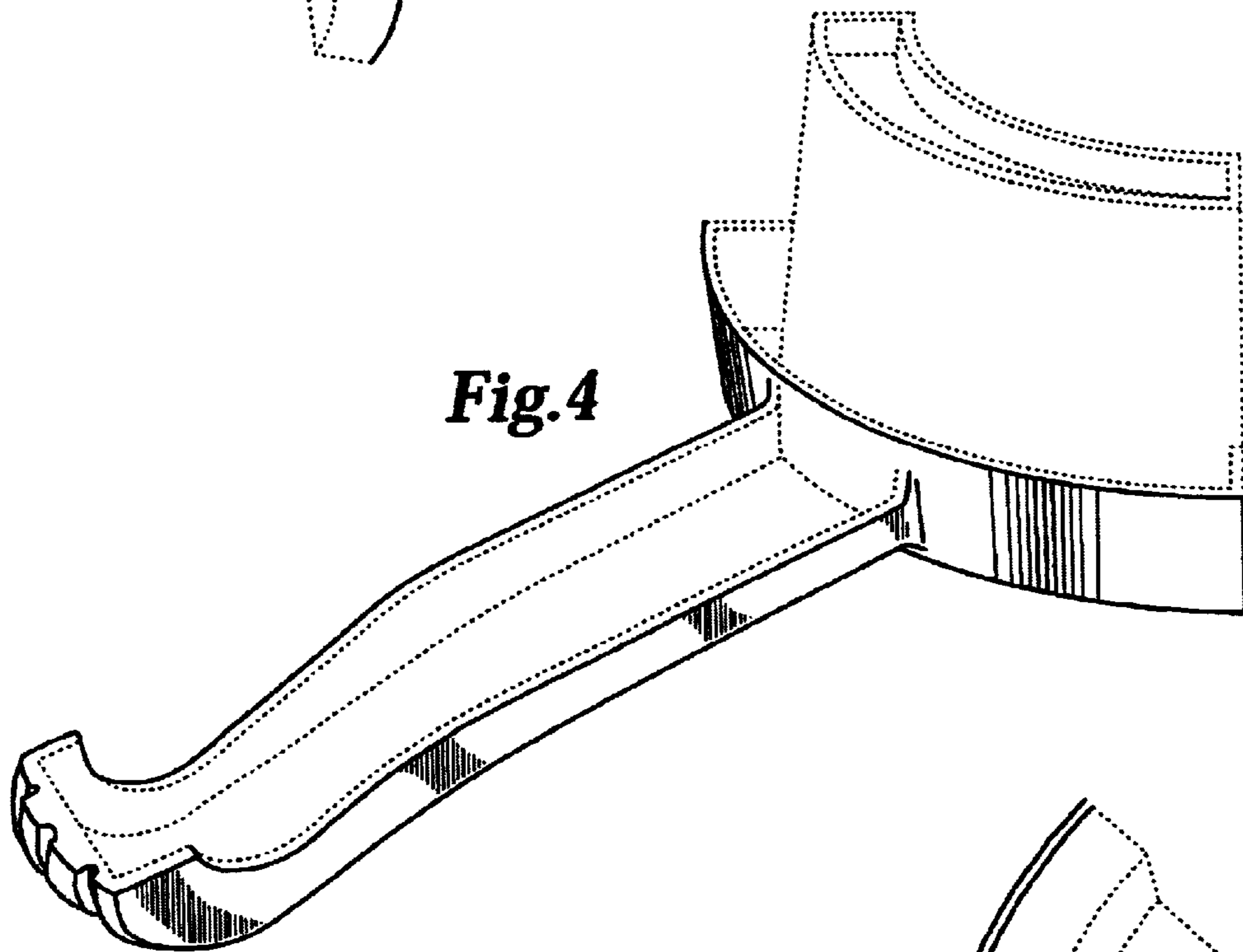
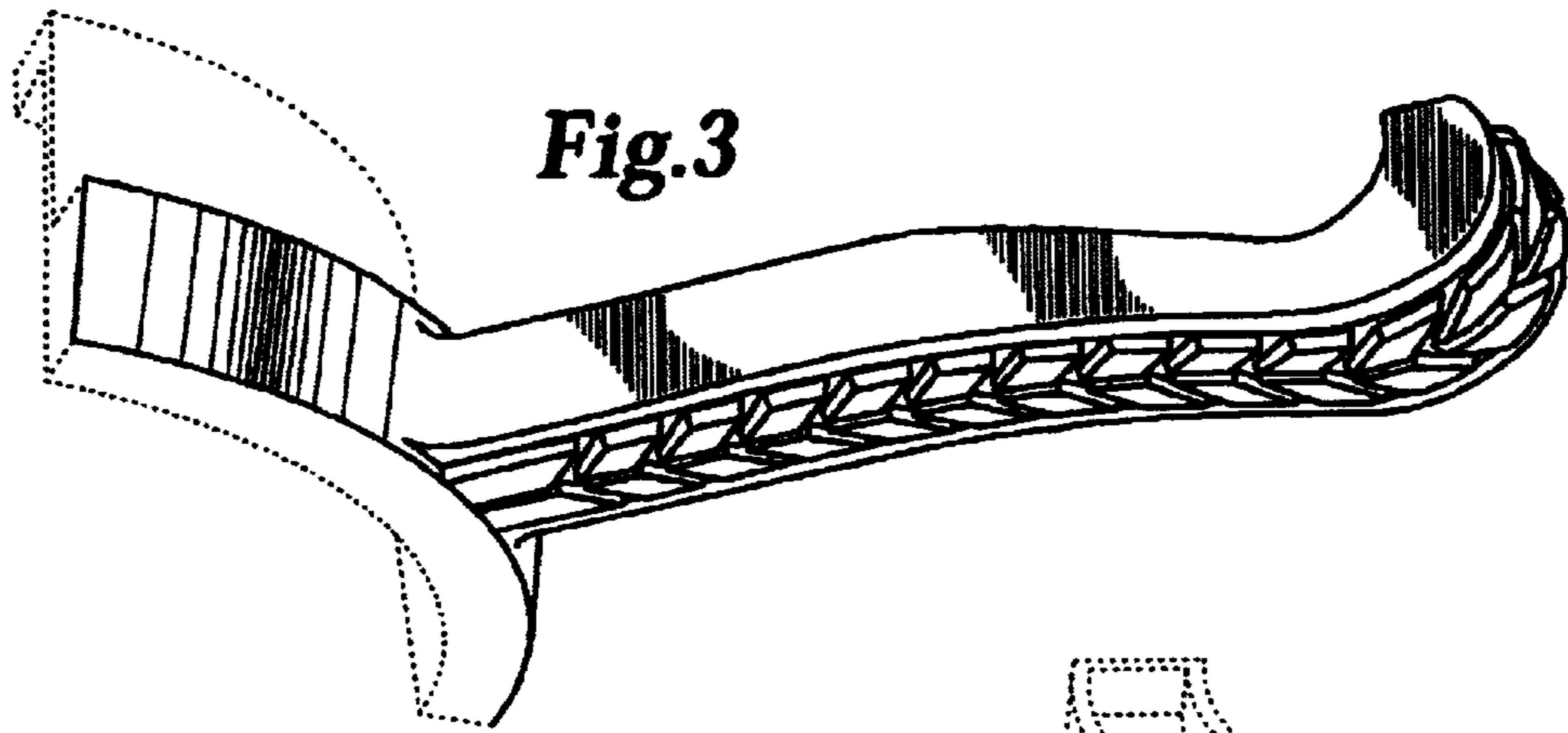


Fig. 2



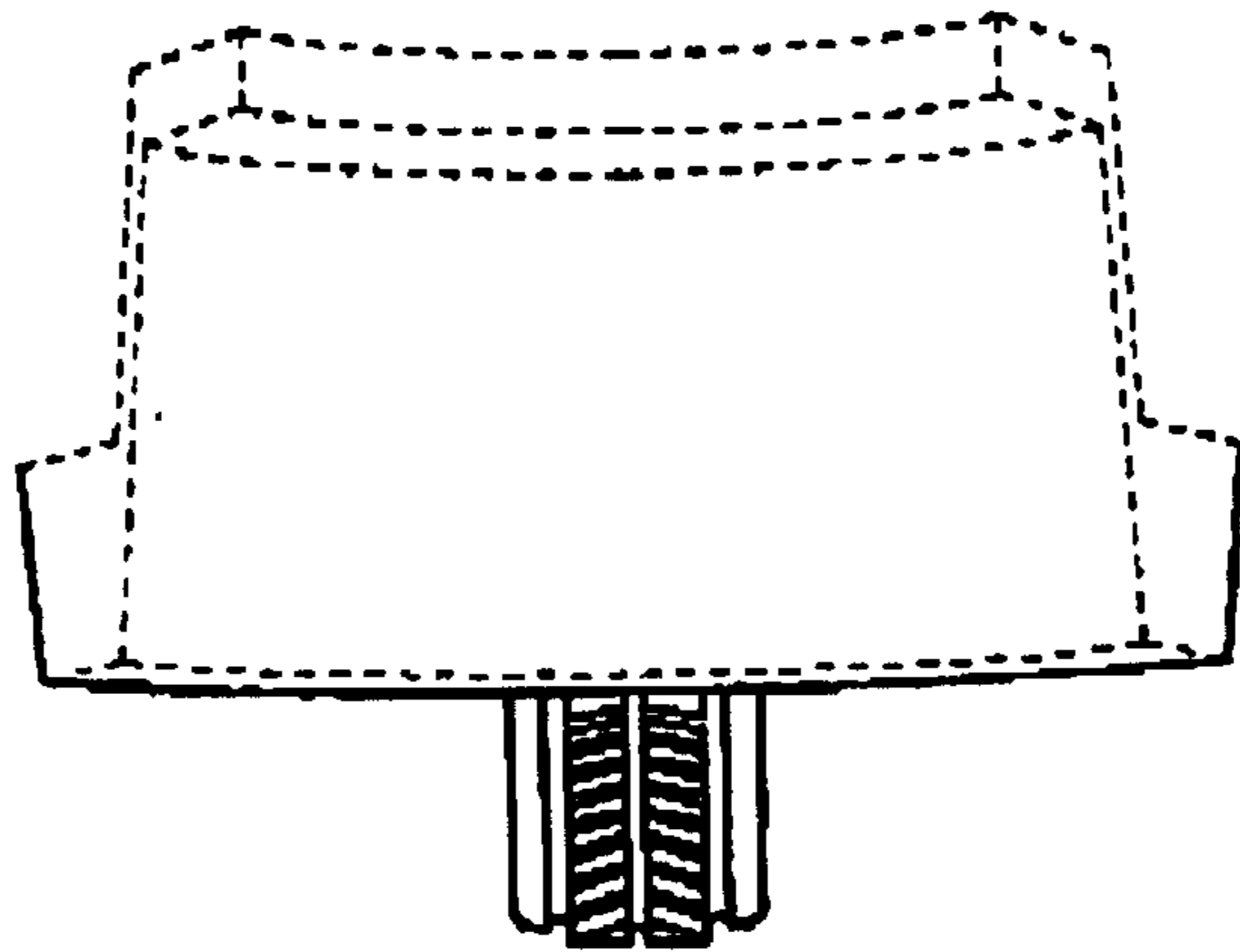
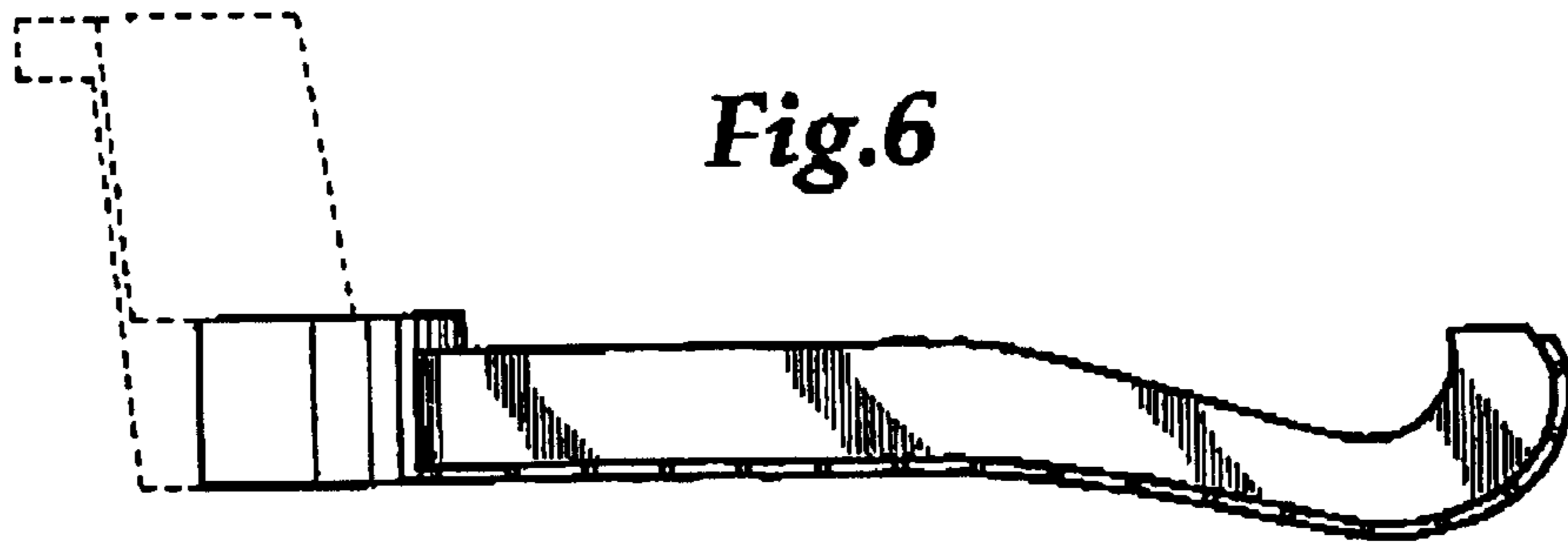


Fig. 7

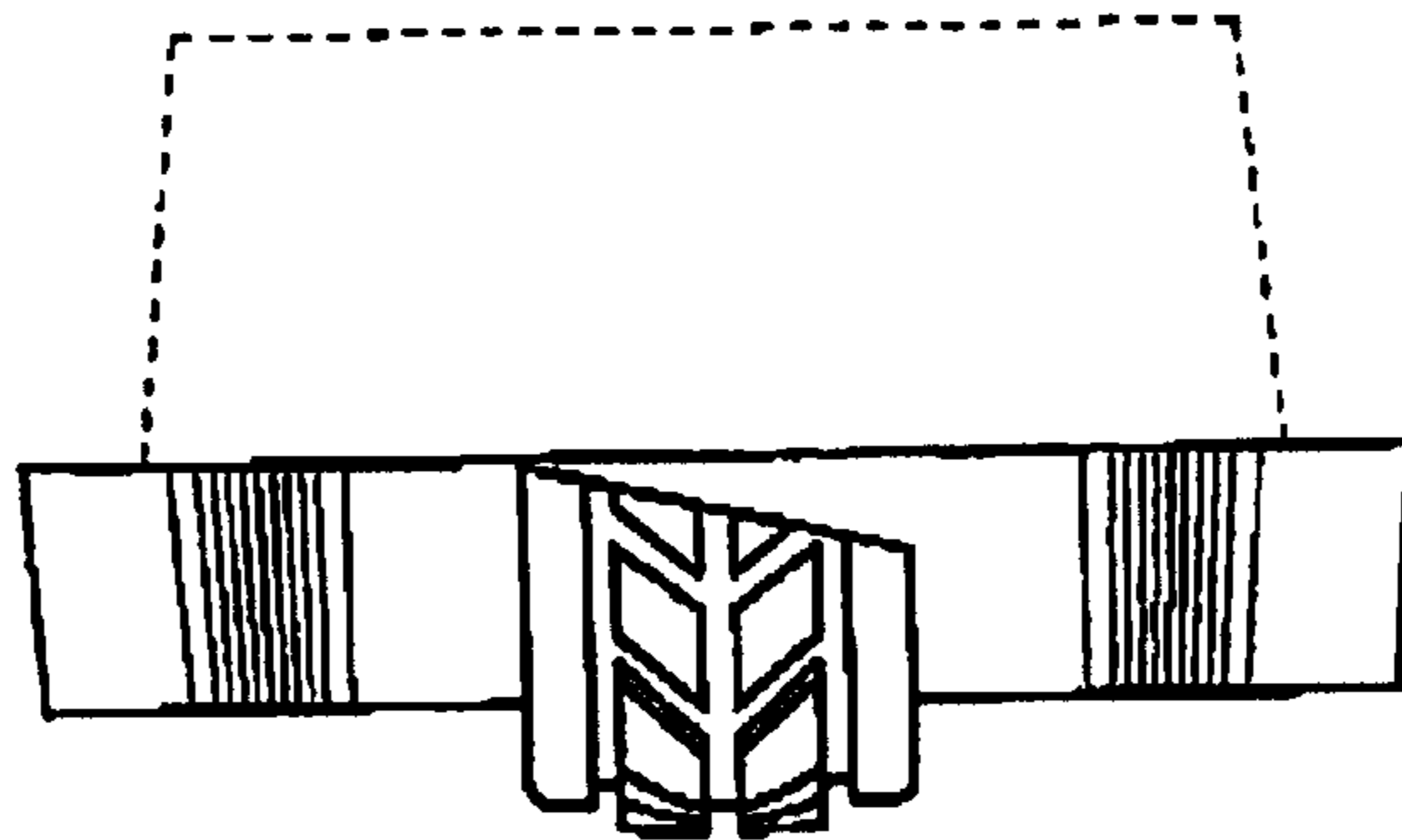


Fig. 8