



US00D518886S

(12) **United States Design Patent**  
**Hoffman et al.**

(10) **Patent No.:** **US D518,886 S**  
(45) **Date of Patent:** **\*\* Apr. 11, 2006**

- (54) **ARTIFICIAL LOGSET HEARTH**
- (75) Inventors: **Paul J. Hoffman**, Chicago, IL (US);  
**Robert W. Machacek**, Lombard, IL (US)
- (73) Assignee: **Fire Design LLC**, Shelbyville, KY (US)
- (\*\*) Term: **14 Years**

D274,933 S	*	7/1984	Nau	.....	D23/410
D296,588 S	*	7/1988	Thompson	.....	D23/410
D338,357 S	*	8/1993	Dworkin	.....	D6/462
D349,955 S	*	8/1994	Lin	.....	D23/403
D381,413 S	*	7/1997	Feinsilber	.....	D23/410
D416,322 S	*	11/1999	Suher	.....	D23/410
D422,800 S	*	4/2000	Lau	.....	D6/348
D426,878 S	*	6/2000	Denney et al.	.....	D23/410
D454,265 S	*	3/2002	Lillelund et al.	.....	D6/475
D488,553 S	*	4/2004	Dery	.....	D23/410

\* cited by examiner

- (21) Appl. No.: **29/205,058**
- (22) Filed: **May 7, 2004**

*Primary Examiner*—Sandra S. Snapp  
(74) *Attorney, Agent, or Firm*—Wood, Herron & Evans, LLP

- (51) **LOC (8) Cl.** ..... **23-03**
- (52) **U.S. Cl.** ..... **D23/410**
- (58) **Field of Classification Search** ..... D23/403-406,  
D23/409-410, 415-419, 499, 396-402, 343-347,  
D23/350; D25/55, 59, 60; D7/332-335, 339-340,  
D7/347-349, 653; D8/DIG. 4; 126/500, 540,  
126/543-544, 547; 52/36.3; 16/DIG. 11;  
294/14; D6/375, 348

(57) **CLAIM**

The ornamental design for an artificial logset hearth, as shown and described.

See application file for complete search history.

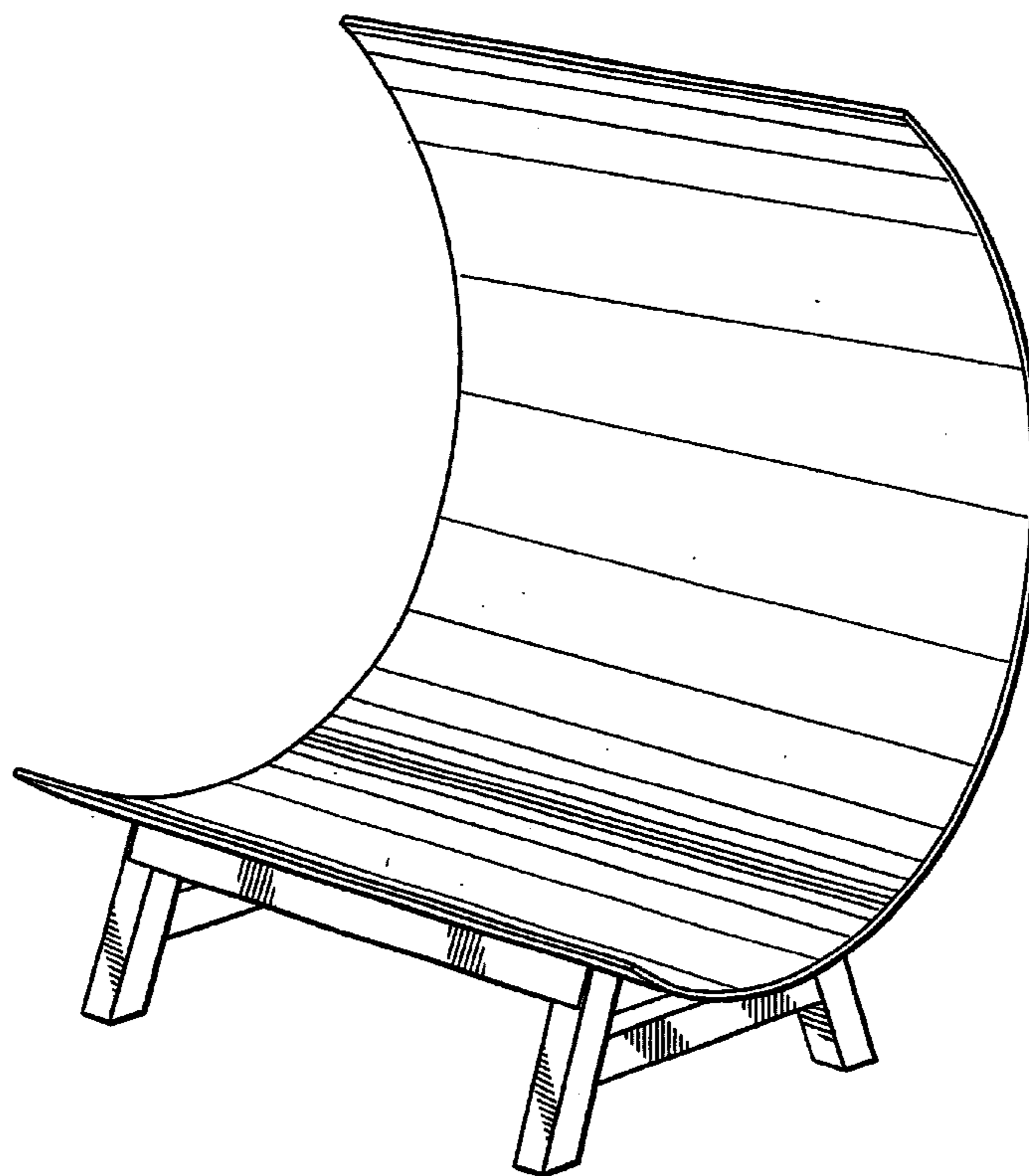
**DESCRIPTION**

- FIG. 1 is a perspective view of an artificial logset hearth incorporating the design of our invention.
- FIG. 2 is a side view thereof; the other side being a mirror image thereof.
- FIG. 3 is a front view thereof.
- FIG. 4 is a rear side thereof.
- FIG. 5 is a top view thereof; and,
- FIG. 6 is a bottom view thereof.

(56) **References Cited**  
U.S. PATENT DOCUMENTS

D184,752 S	*	3/1959	McVey	.....	D23/410
D194,416 S	*	1/1963	Woods	.....	D23/410
D209,446 S	*	12/1967	Delieuvin	.....	D6/361
D225,638 S	*	12/1972	Christianson	.....	D23/410
D269,994 S	*	8/1983	Jenkins	.....	D23/403

**1 Claim, 4 Drawing Sheets**



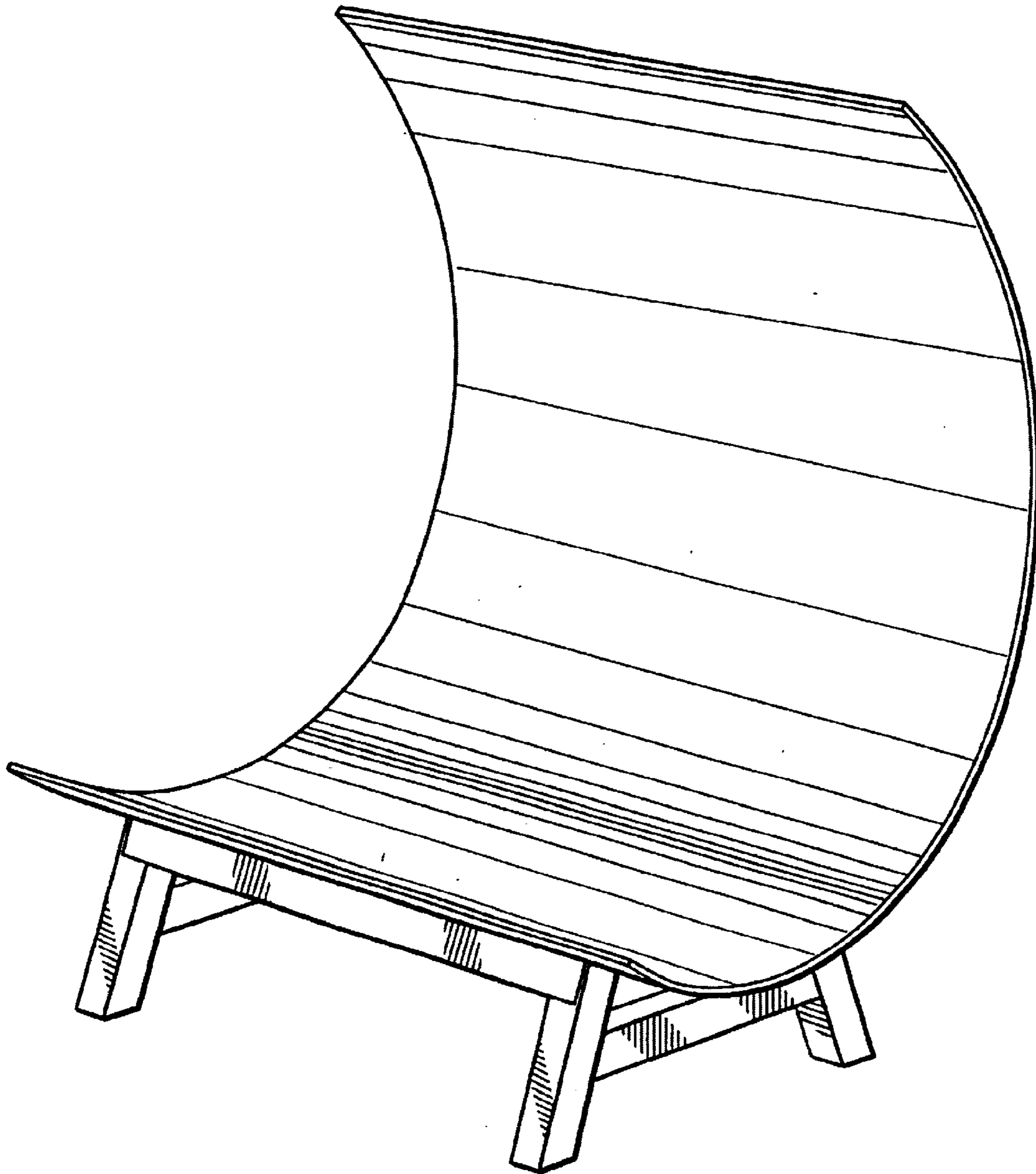


FIG. 1

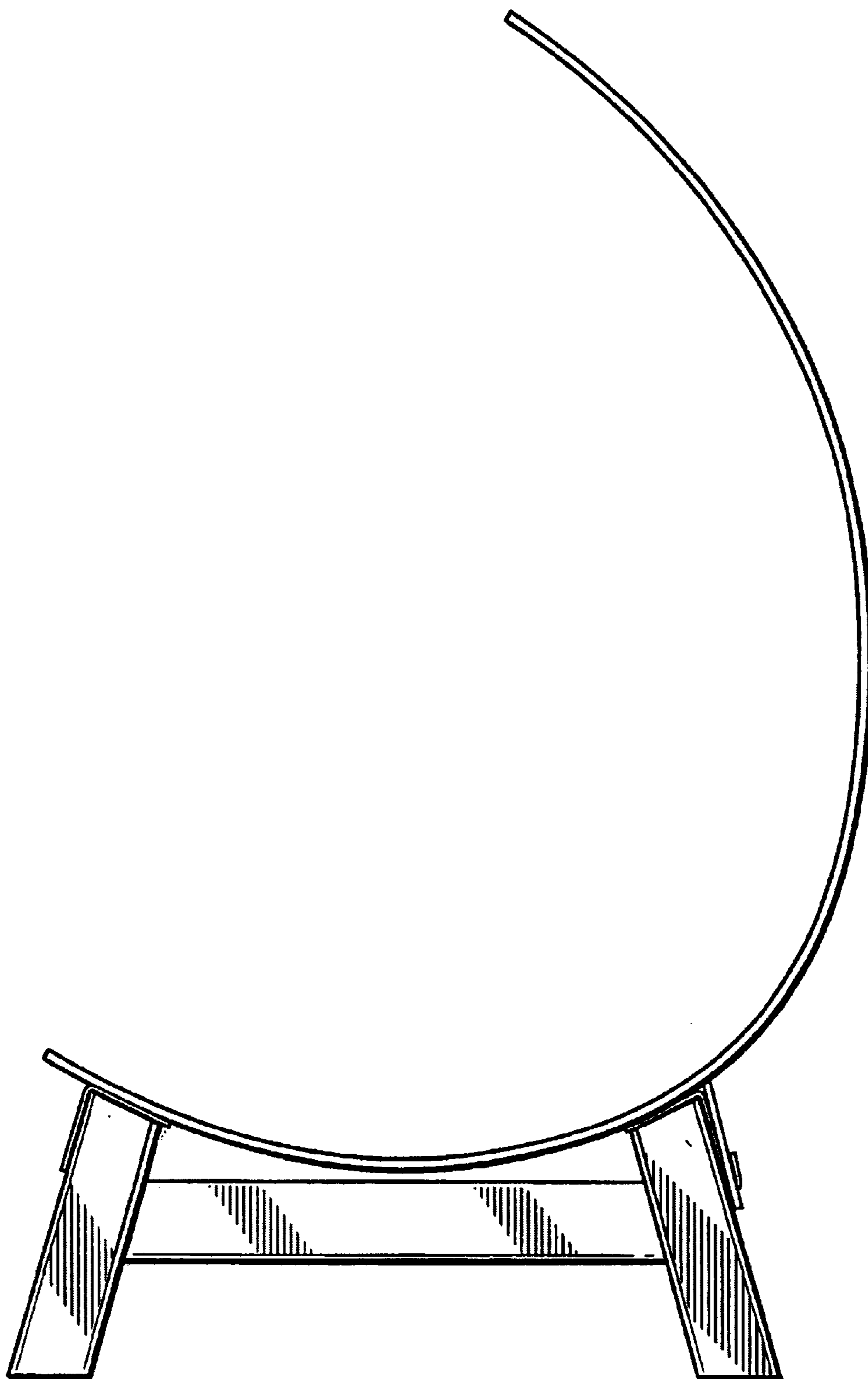


FIG. 2

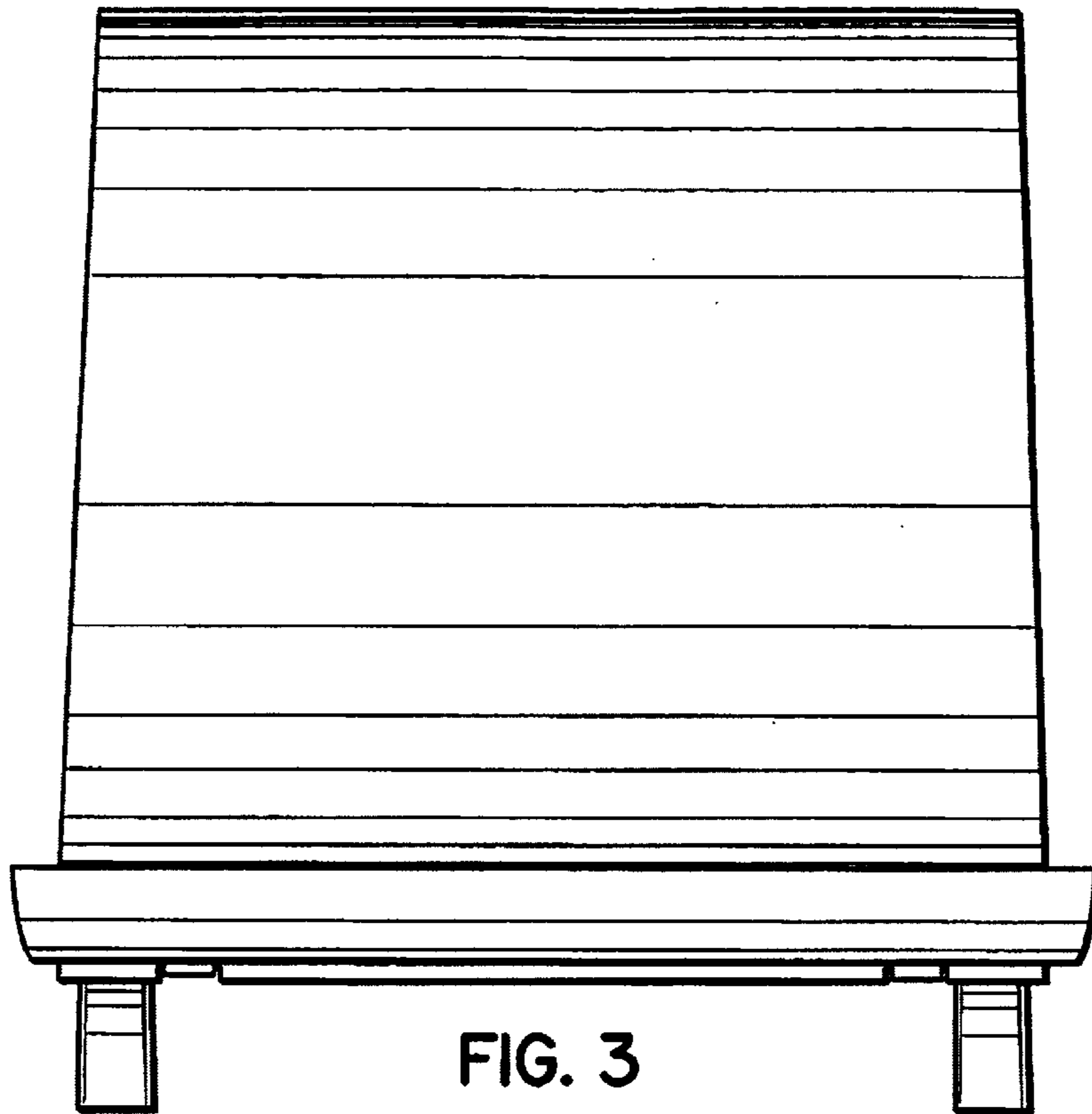


FIG. 3

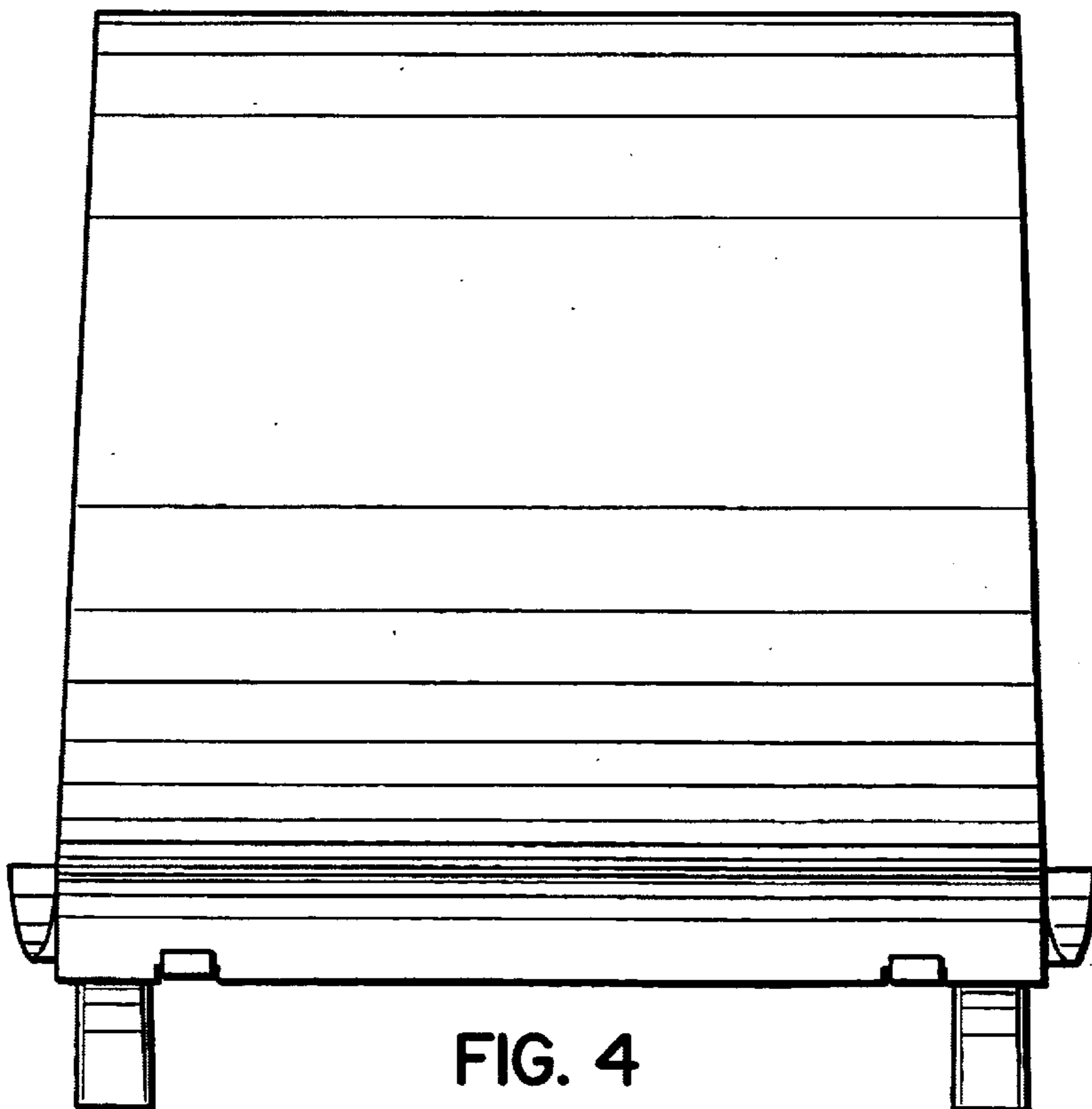


FIG. 4

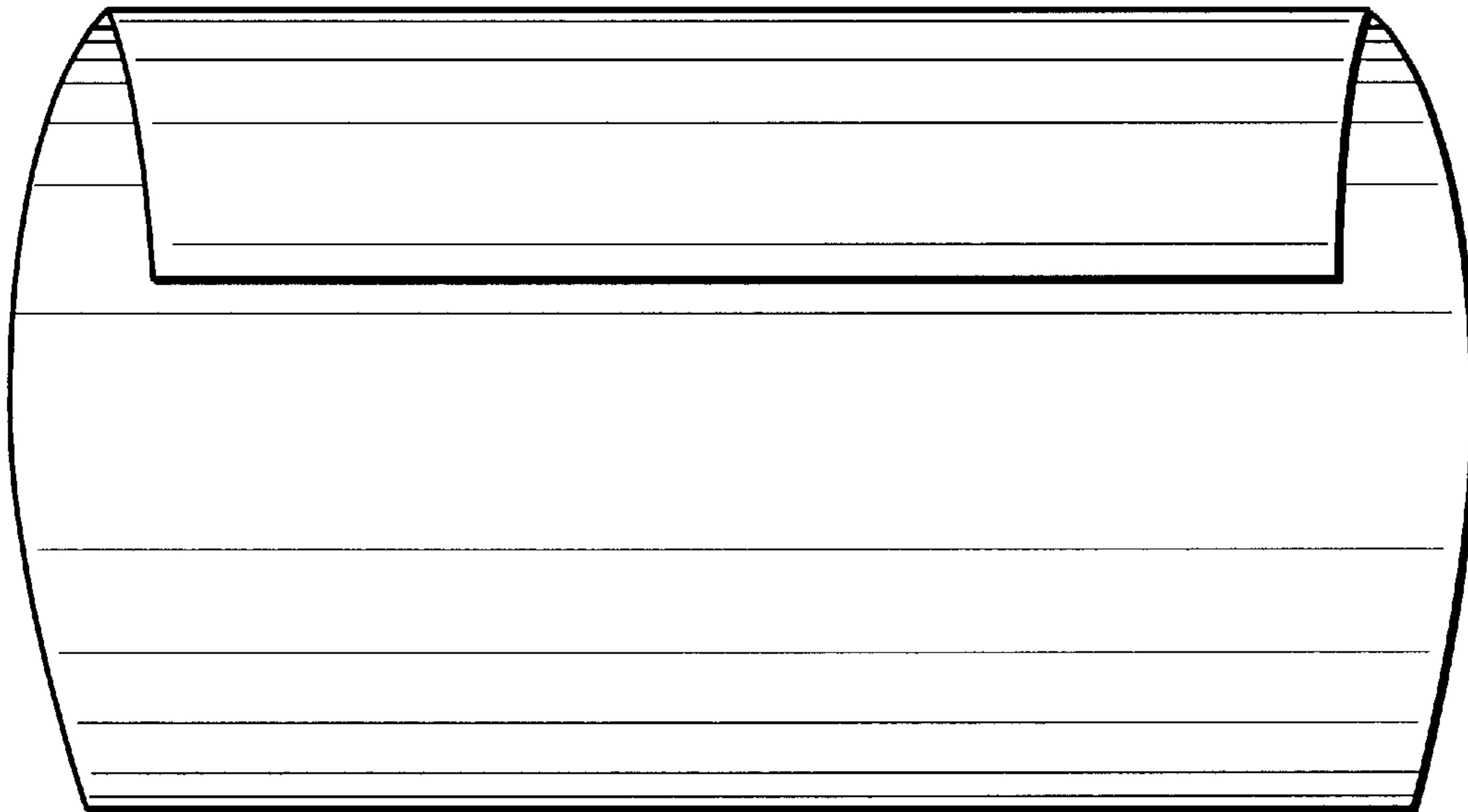


FIG. 5



FIG. 6

UNITED STATES PATENT AND TRADEMARK OFFICE  
**CERTIFICATE OF CORRECTION**

PATENT NO. : Des. 518,886 S  
APPLICATION NO. : 29/205058  
DATED : April 11, 2006  
INVENTOR(S) : Paul J. Hoffmann et al.

Page 1 of 1

It is certified that error appears in the above-identified patent and that said Letters Patent is hereby corrected as shown below:

\* Title Page

Item 73, **Assignee**

“Fire Design LLC” should read --Fire Designs LLC--

\* Title Page

**Description of Fig. 4**

“Fig. 4 is a rear side thereof” should read --Fig. 4 is a rear side view thereof--

Title Page

**Description**

“FIG. 3 is a front view thereof” should read --FIG. 3 is a front view thereof--

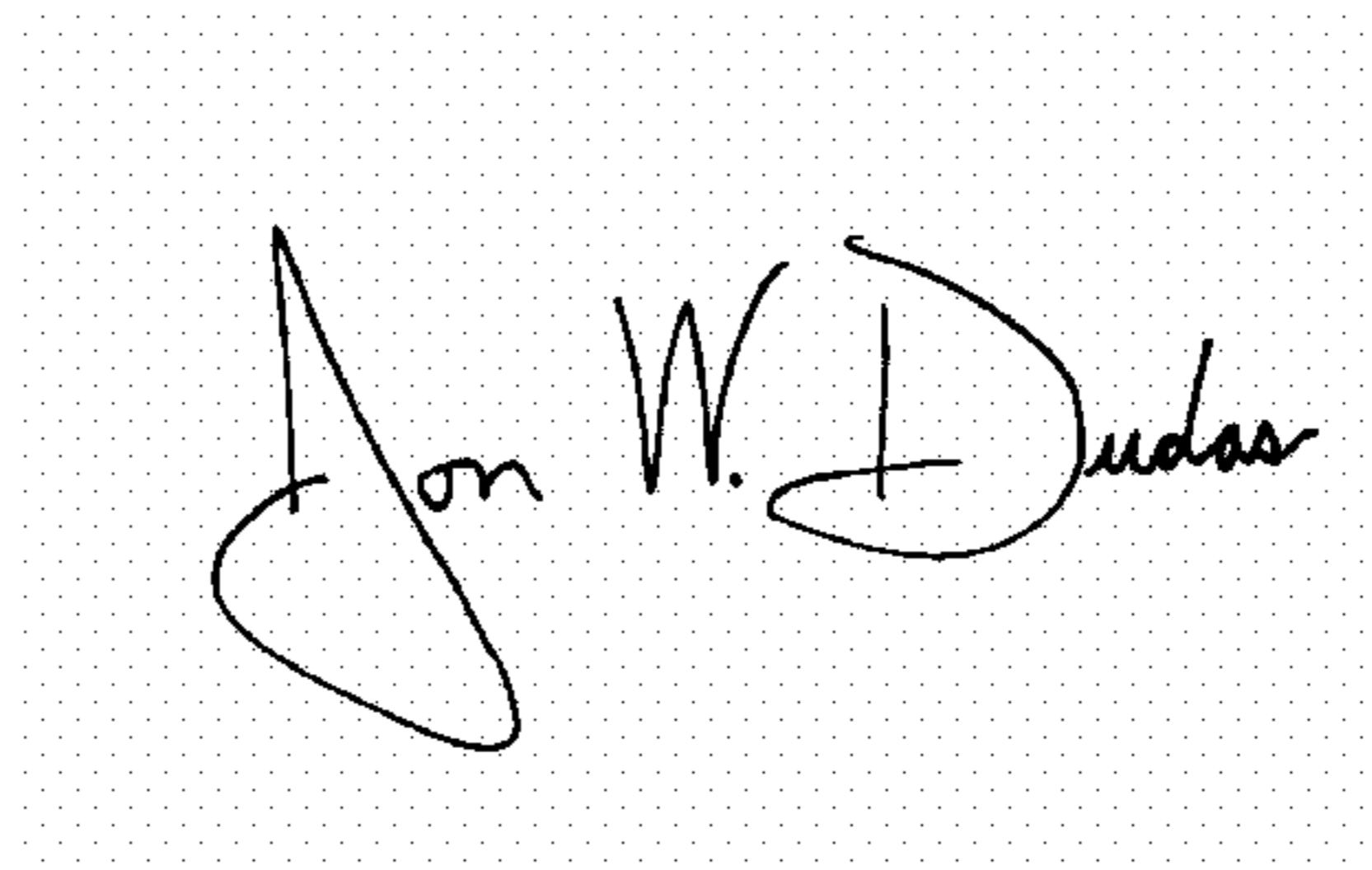
\* Title Page

**Description**

“FIG. 4 is a rear side thereof.” should read --FIG. 4 is a rear side view thereof.--

Signed and Sealed this

Sixteenth Day of October, 2007

A handwritten signature in black ink on a dotted background. The signature reads "Jon W. Dudas" in a cursive style.

JON W. DUDAS

*Director of the United States Patent and Trademark Office*