



US00D518885S

(12) **United States Design Patent**  
**Stout, Jr. et al.**

(10) **Patent No.:** **US D518,885 S**  
(45) **Date of Patent:** **\*\* Apr. 11, 2006**

(54) **FLANGED RING**

(75) Inventors: **William K. Stout, Jr.**, Mason, OH  
(US); **Ammon W. Weaver**, Liberty, KY  
(US)

(73) Assignee: **Eastern Sheet Metal LLC**, Cincinnati,  
OH (US)

(\*\*) Term: **14 Years**

(21) Appl. No.: **29/205,509**

(22) Filed: **May 14, 2004**

(51) **LOC (8) Cl.** ..... **23-04**

(52) **U.S. Cl.** ..... **D23/393**

(58) **Field of Classification Search** ..... D23/393,  
D23/394, 354, 262, 269, 202; 285/414-415,  
285/454, 424, 363-364; 29/890.15, 890.032

See application file for complete search history.

(56) **References Cited**

**U.S. PATENT DOCUMENTS**

3,749,425	A	7/1973	Howland	.....	285/191
5,129,690	A	7/1992	Meinig et al.	.....	285/363
5,599,600	A	2/1997	Rau	.....	428/36.9
5,649,662	A	7/1997	Krichau et al.	.....	228/128
D383,195	S	* 9/1997	Sonden et al.	.....	D23/262
D383,196	S	* 9/1997	Sonden et al.	.....	D23/202
D386,246	S	* 11/1997	Sonden et al.	.....	D23/262
5,983,496	A	11/1999	Hermanson	.....	29/890.15
D446,298	S	* 8/2001	Thurman	.....	D23/393
6,289,706	B1	9/2001	Hermanson	.....	72/82
6,301,781	B1	10/2001	Hermanson	.....	29/890.15
D453,042	S	1/2002	Mattsson et al.	.....	D23/393
D454,949	S	3/2002	Mattsson et al.	.....	D23/393
D456,071	S	4/2002	Mattsson et al.	.....	D23/393
D456,072	S	4/2002	Mattsson et al.	.....	D23/393
D461,887	S	8/2002	Mattsson et al.	.....	D23/393
D466,652	S	* 12/2002	Thurman	.....	D23/393
D475,781	S	6/2003	Mattsson et al.	.....	D23/393
6,644,083	B1	11/2003	Pakker	.....	72/86
6,758,502	B1	* 7/2004	Mattsson et al.	.....	285/424
D504,503	S	* 4/2005	Thurman	.....	D23/393

2003/0160452 A1 \* 8/2003 Mattsson et al. .... 285/424

\* cited by examiner

*Primary Examiner*—Catherine R. Oliver

(74) *Attorney, Agent, or Firm*—Dinsmore & Shohl LLP

(57) **CLAIM**

The ornamental design for a flanged ring, as shown and described.

**DESCRIPTION**

FIG. 1 is a top plan view of a flanged ring showing our new design;

FIG. 2 is a front elevational view, with the right side, left side and rear elevational views being identical;

FIG. 3 is an enlarged view of portions of the flanged ring taken at view 3 of FIG. 2;

FIG. 4 is a bottom plan view of the flanged ring of FIG. 1;

FIG. 5 is a top front perspective view of the flanged ring of FIG. 1, with the right top perspective view, left top perspective view and the rear top perspective view being identical;

FIG. 6 is an enlarged view of portions of the flanged ring taken at view 6 of FIG. 5;

FIG. 7 is an enlarged view of portions of the flanged ring taken at view 7 of FIG. 5;

FIG. 8 is a top plan view of a second embodiment of a flanged ring showing our new design;

FIG. 9 is a front elevational view, with the right side, left side and rear elevational views being identical;

FIG. 10 is an enlarged view of portions of the flanged ring taken at view 10 of FIG. 9;

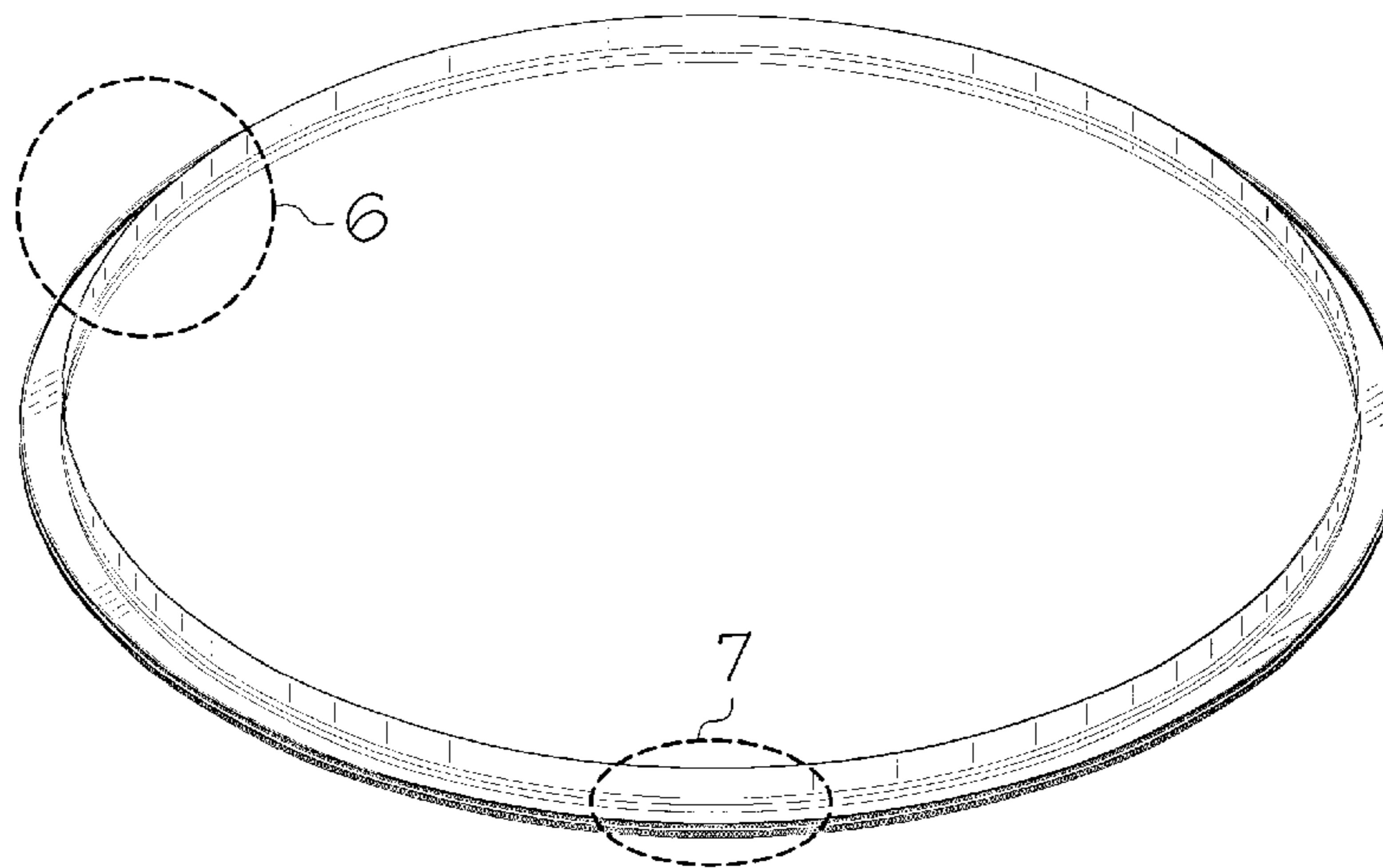
FIG. 11 is a bottom plan view of the flanged ring of FIG. 8;

FIG. 12 is a top front perspective view of the flanged ring of FIG. 8, with the top right perspective view, the top left perspective view, and the top rear perspective view being identical;

FIG. 13 is an enlarged view of portions of the flanged ring taken at view 13 of FIG. 12; and,

FIG. 14 is an enlarged view of portions of the flanged ring taken at view 14 of FIG. 12.

**1 Claim, 8 Drawing Sheets**



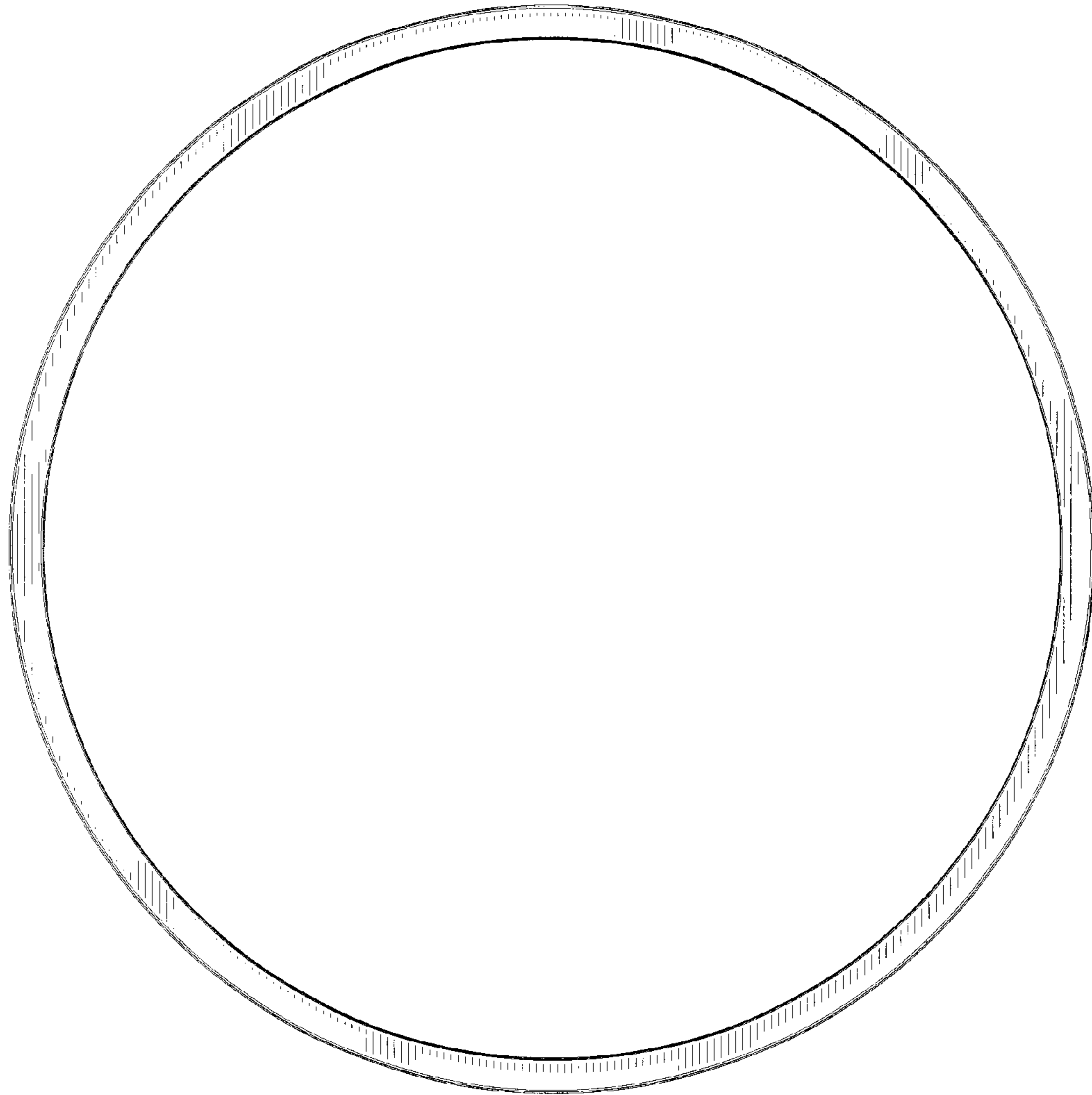


FIG. 1

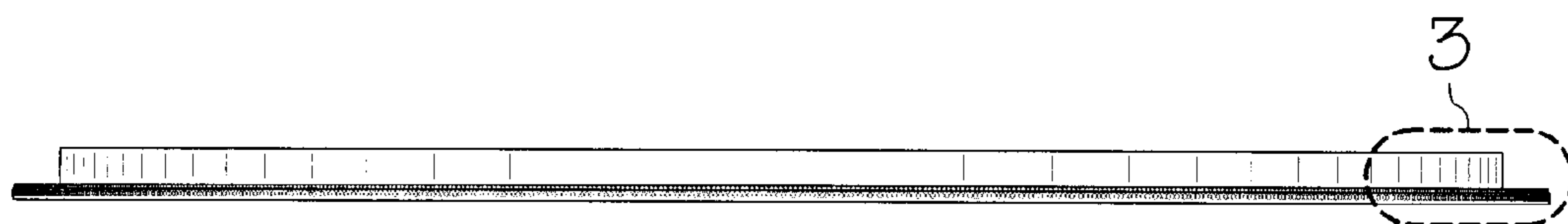


FIG. 2

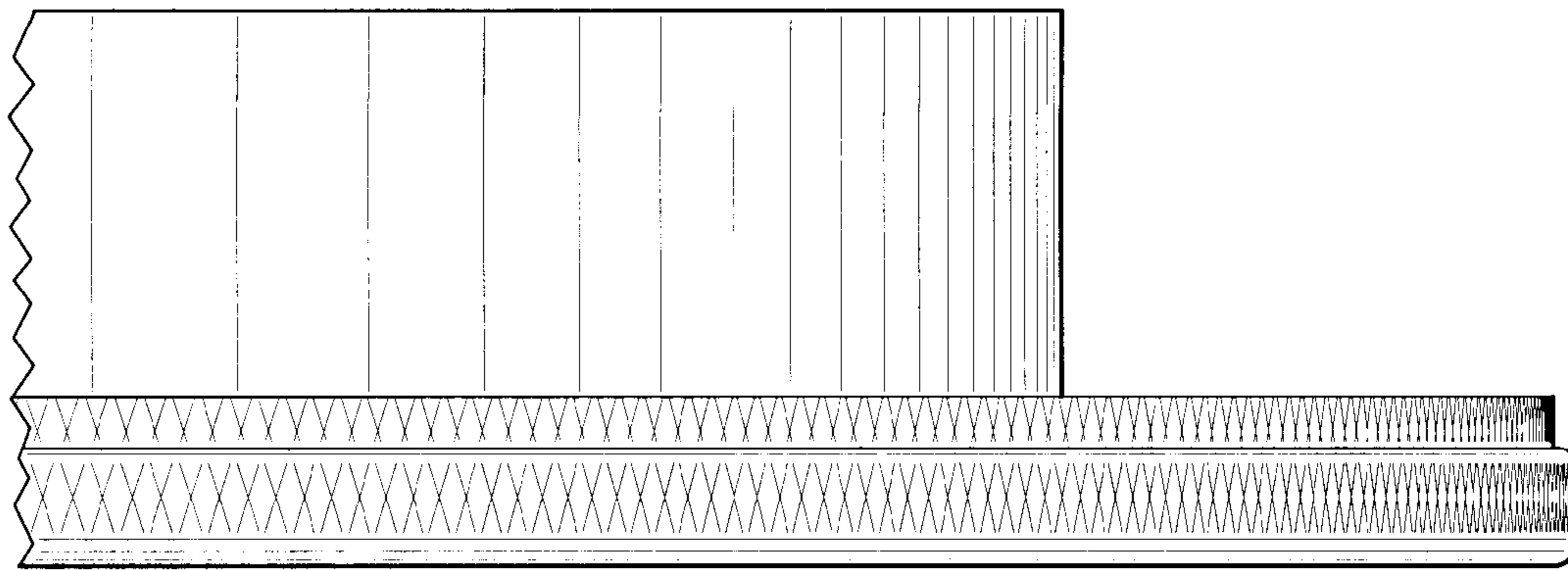


FIG. 3

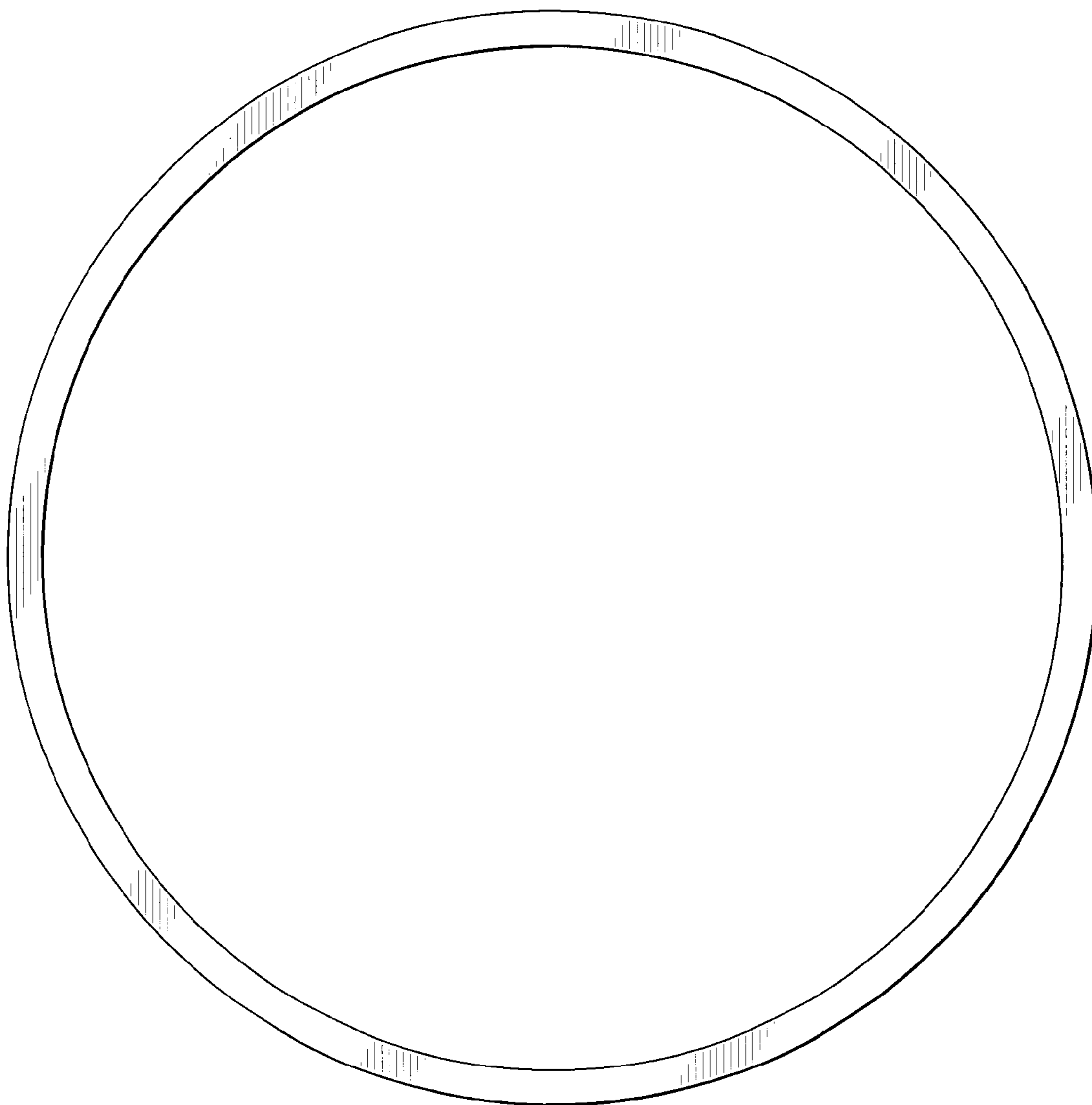


FIG. 4

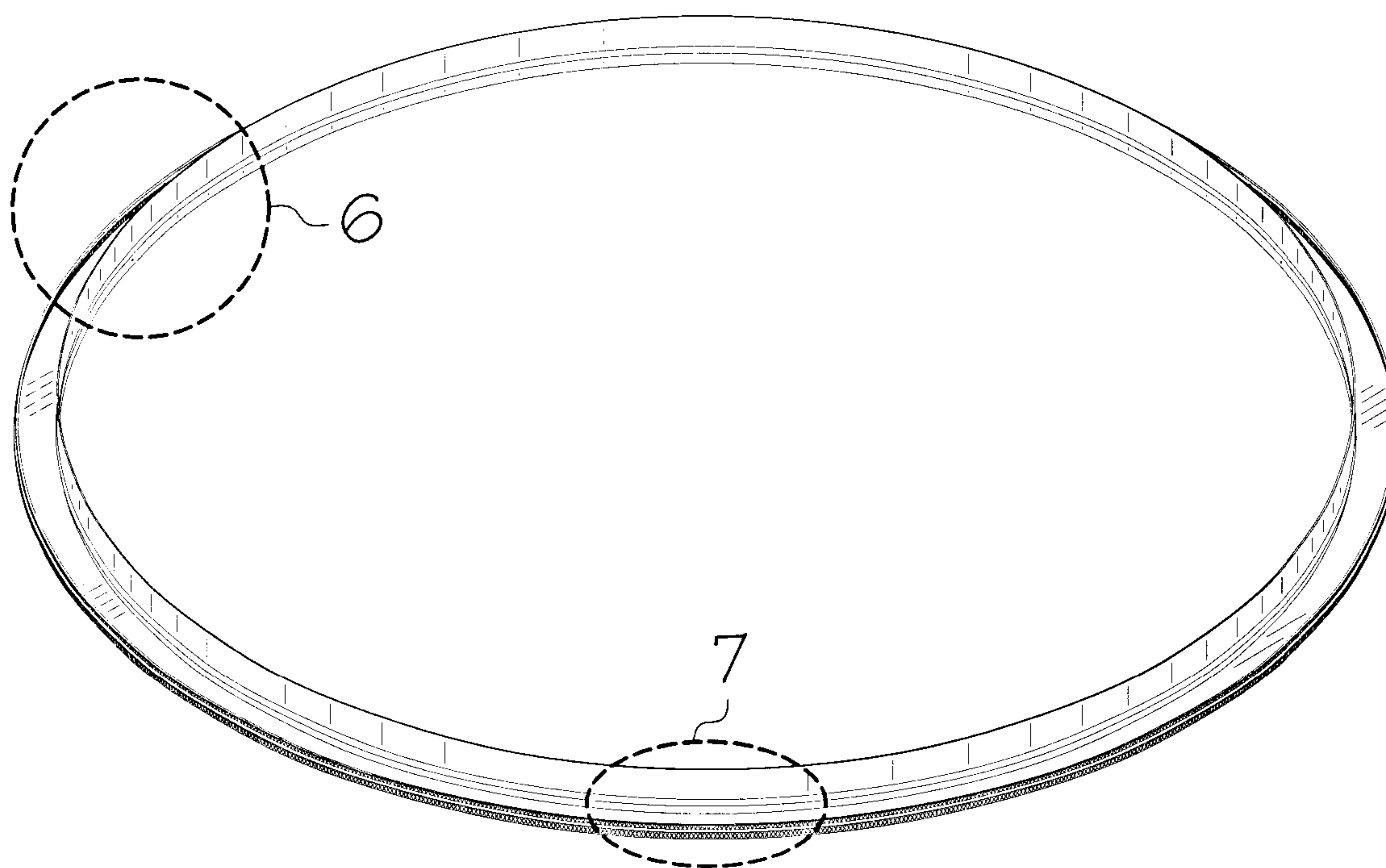


FIG. 5

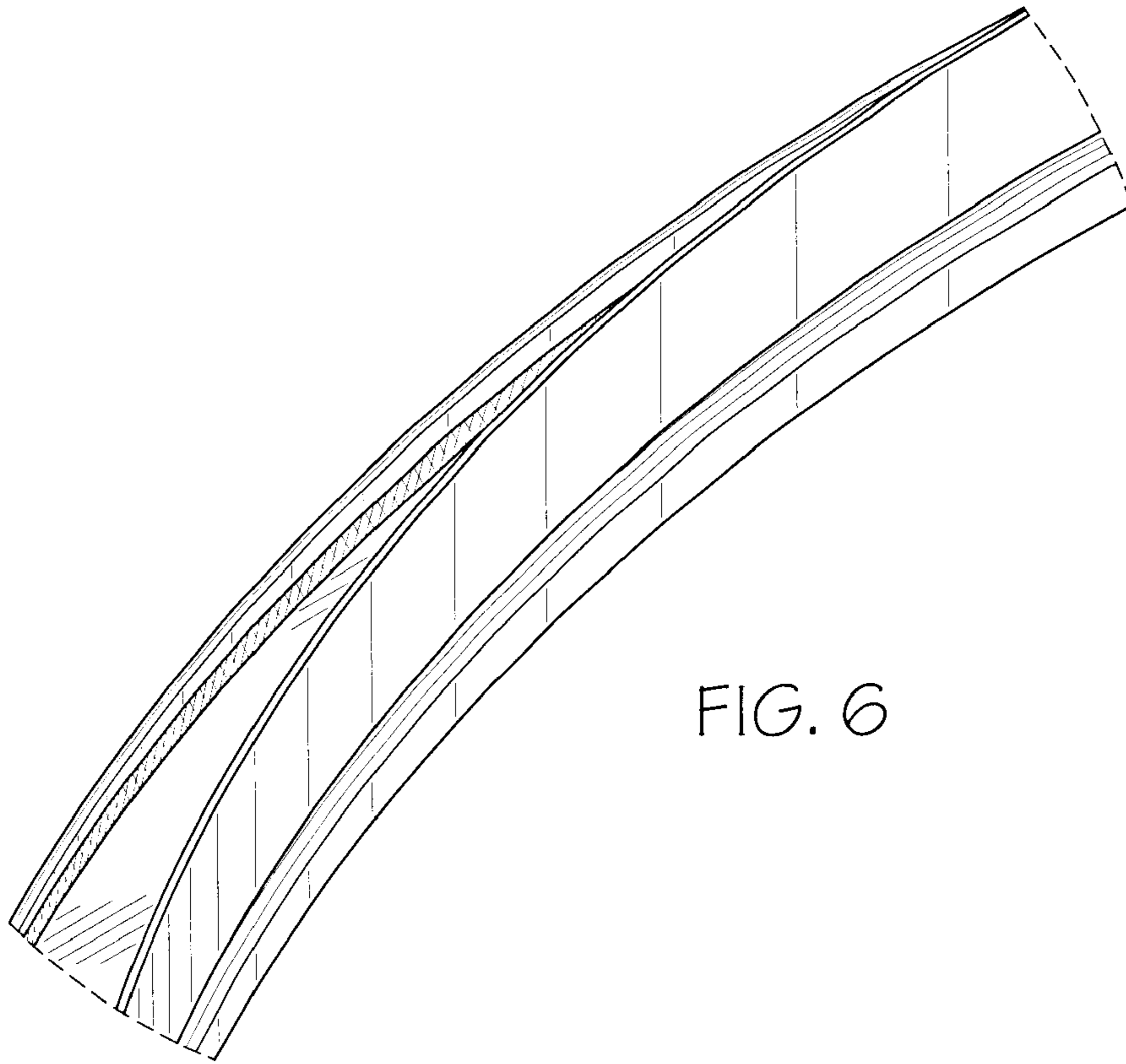


FIG. 6

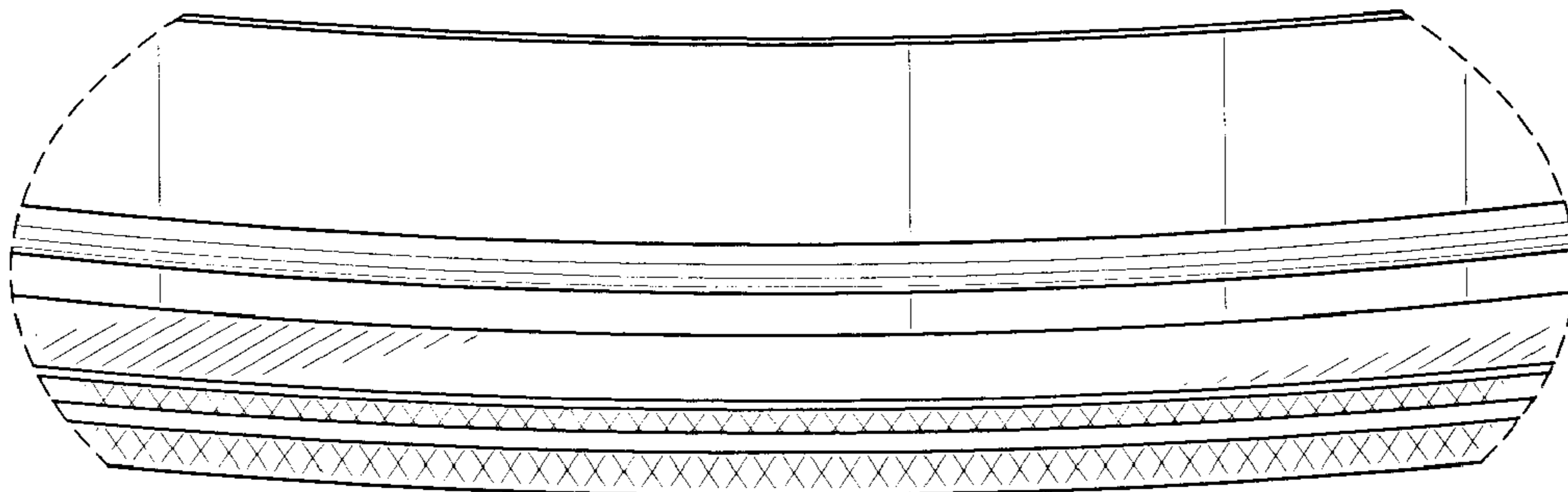


FIG. 7

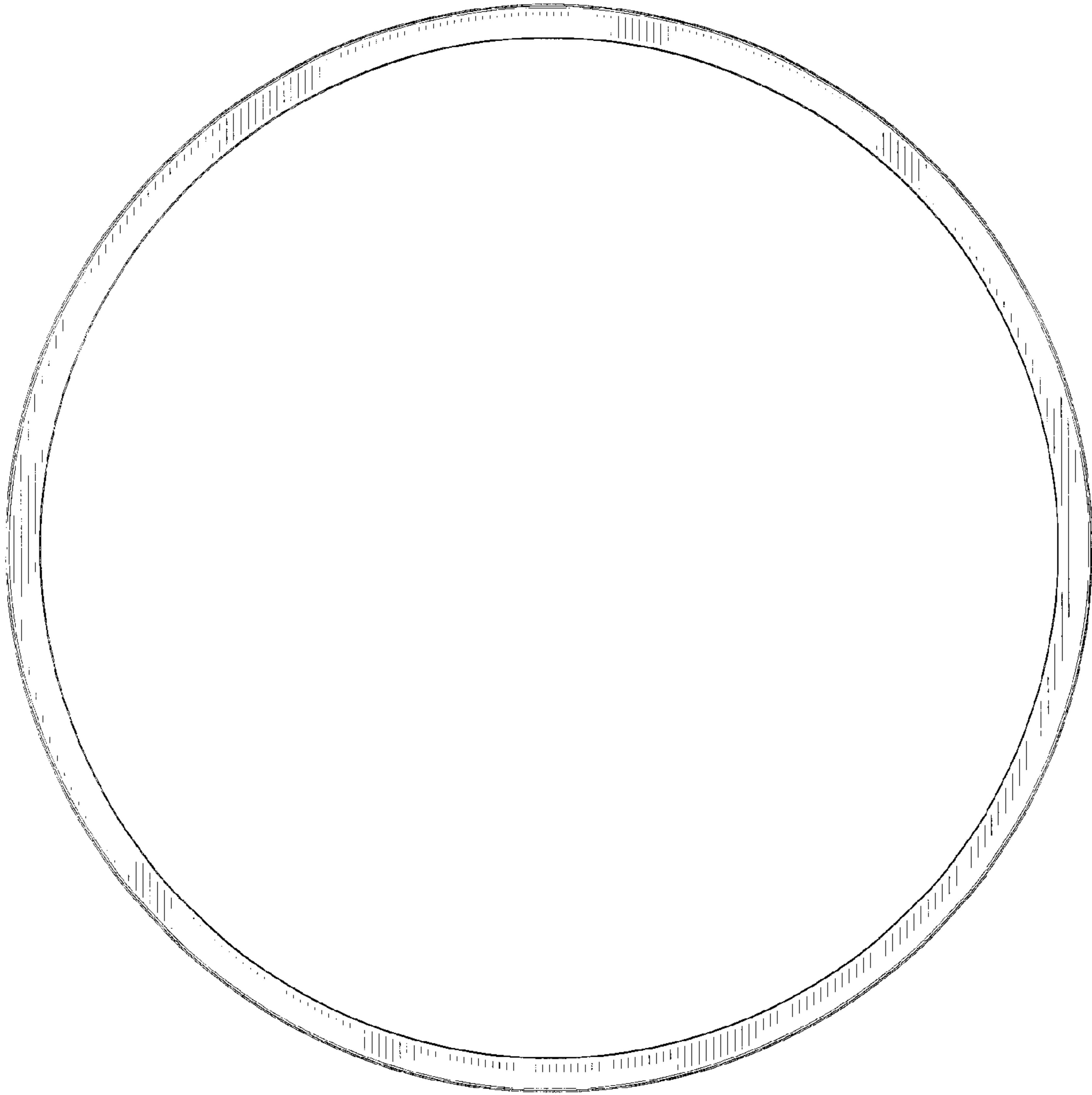


FIG. 8

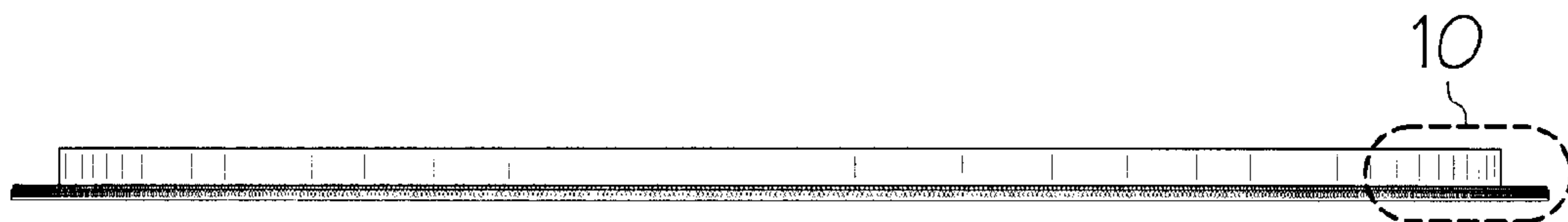


FIG. 9

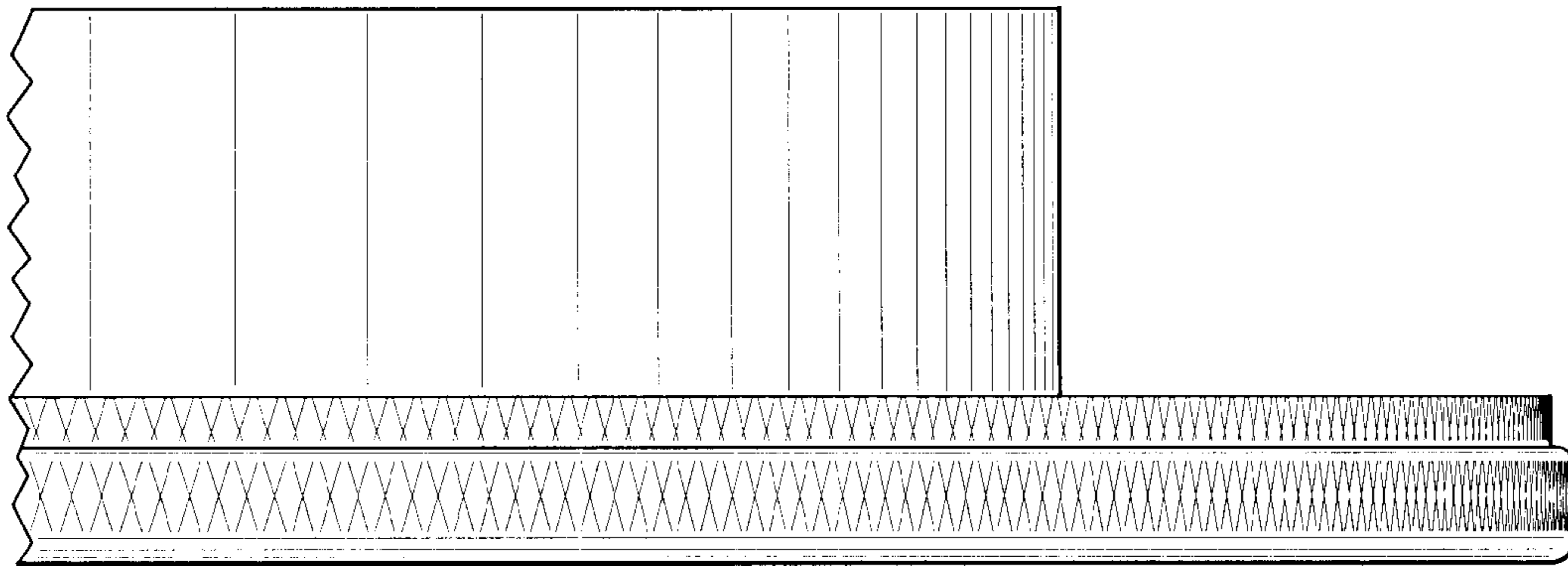


FIG. 10

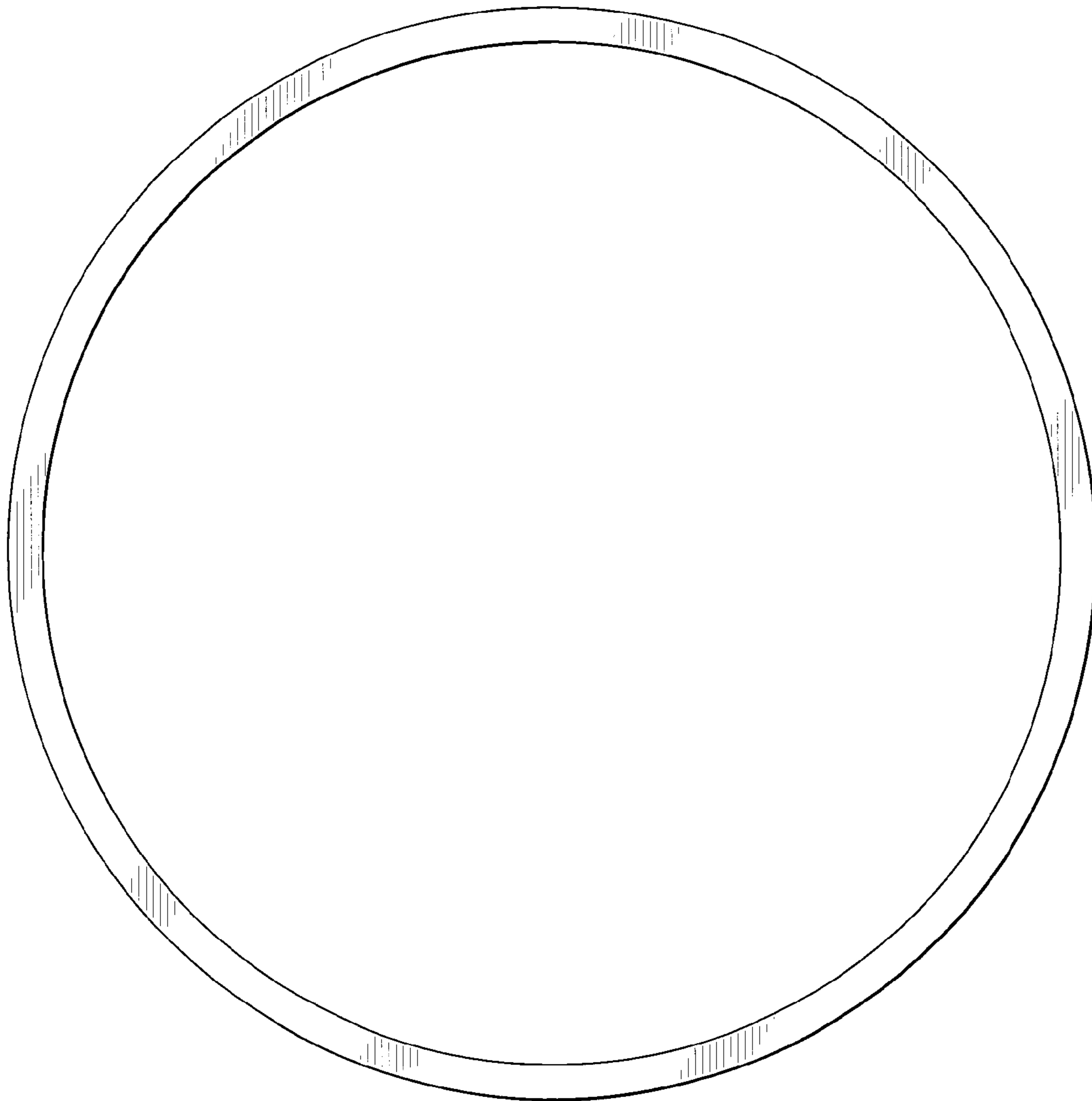


FIG. 11

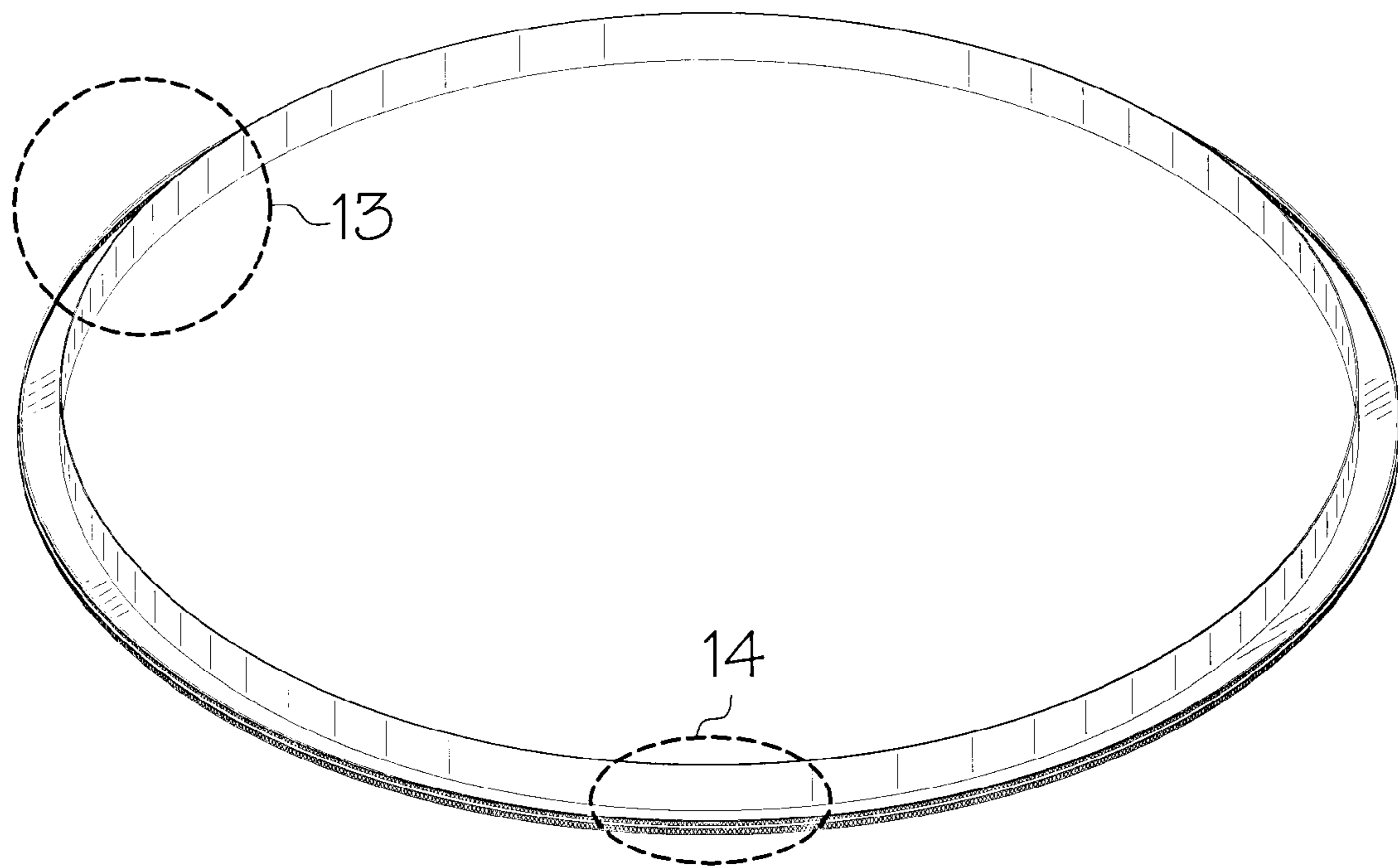


FIG. 12



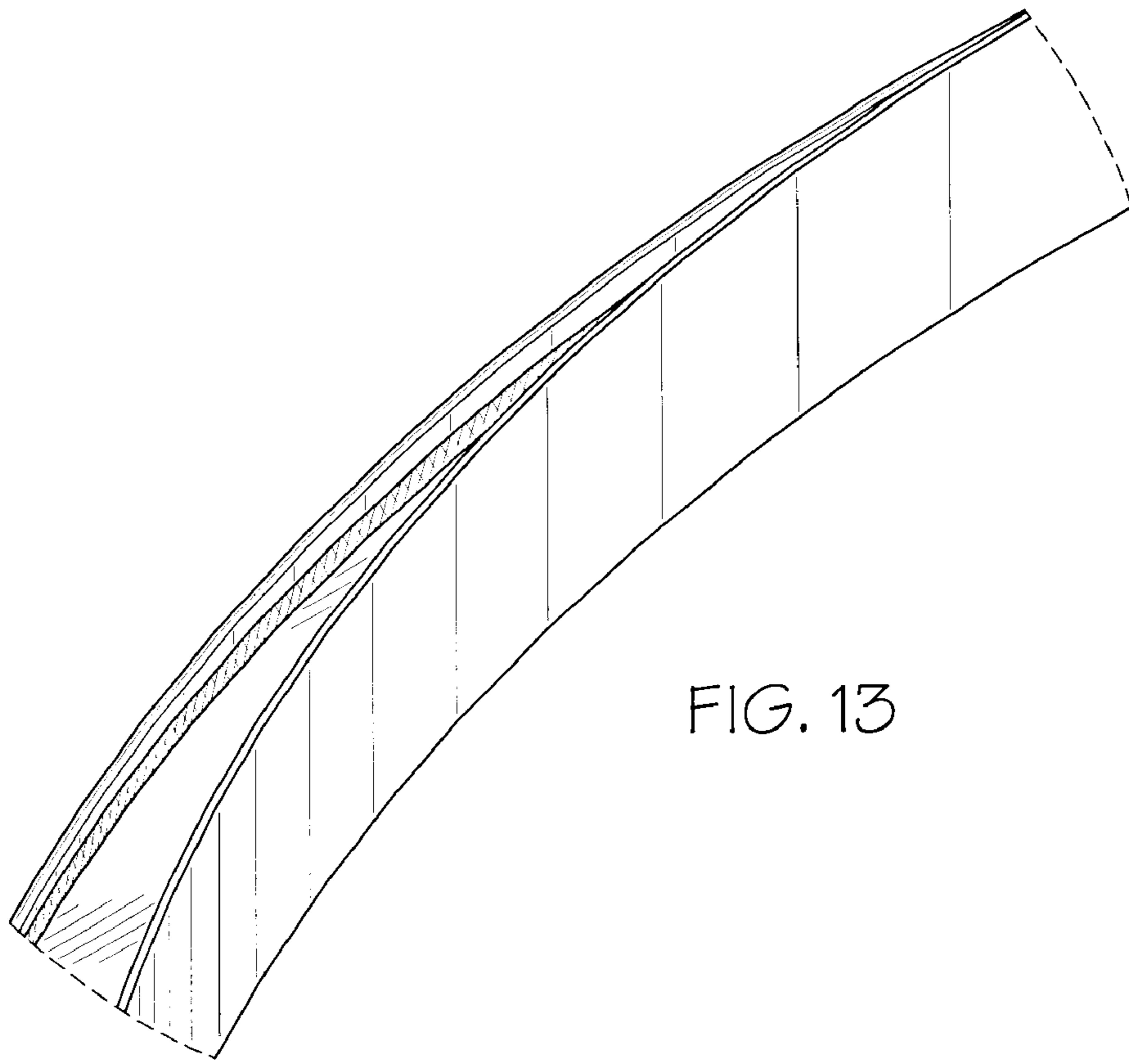


FIG. 13

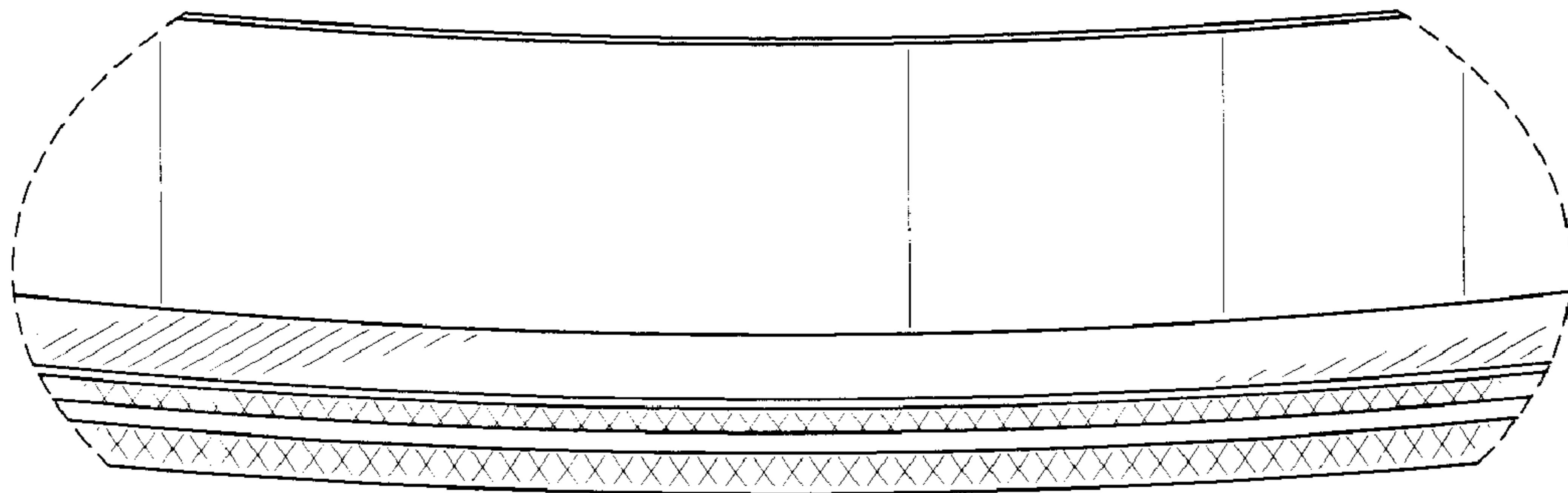


FIG. 14