



US00D518879S

(12) **United States Design Patent**  
**Wolf**

(10) **Patent No.:** **US D518,879 S**

(45) **Date of Patent:** **\*\* Apr. 11, 2006**

(54) **ROTARY HANDLE FOR A SANITARY  
FIXTURE WATER VALVE**

D318,714 S \* 7/1991 Spangler ..... D23/250  
D484,950 S \* 1/2004 Blattner ..... D23/252  
D506,810 S \* 6/2005 Spangler ..... D23/250

(75) Inventor: **Theo Wolf**, Senden (DE)

\* cited by examiner

(73) Assignee: **Grohe Water Technology AG & Co.**  
**KG**, Hemer (DE)

*Primary Examiner*—Louis S. Zarfes

*Assistant Examiner*—Gregory Andoll

(\*\*) Term: **14 Years**

(74) *Attorney, Agent, or Firm*—Herbert Dubno

(21) Appl. No.: **29/223,621**

(57) **CLAIM**

(22) Filed: **Feb. 8, 2005**

The ornamental design for a rotary handle for a sanitary fixture water valve, as shown and described.

(51) **LOC (8) Cl.** ..... **23-01**

(52) **U.S. Cl.** ..... **D23/250**

(58) **Field of Classification Search** ..... D23/238–257;  
D8/250–257, 300–322, DIG. 3; 16/110.1;  
4/675–678; 137/801

See application file for complete search history.

**DESCRIPTION**

FIG. 1 is a top, rear, left-side perspective view of a rotary handle for a sanitary fixture water valve showing my new design;

FIG. 2 is a front elevational view thereof, the rear, left side and right side elevational views being identical thereto; and,

FIG. 3 is a top plan view thereof.

(56) **References Cited**

U.S. PATENT DOCUMENTS

D175,863 S \* 10/1955 Stouffer ..... D9/447

**1 Claim, 2 Drawing Sheets**

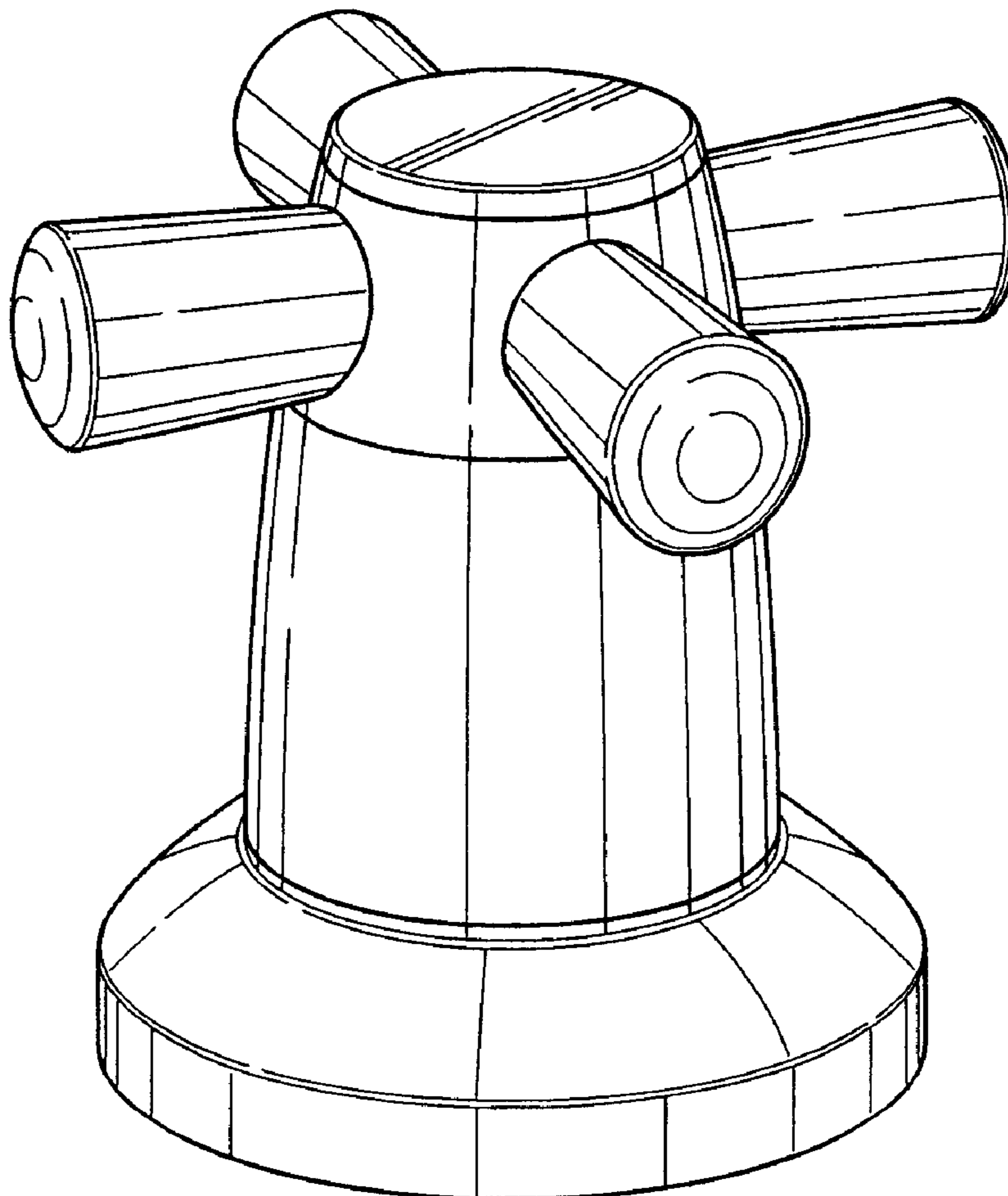


FIG. 1

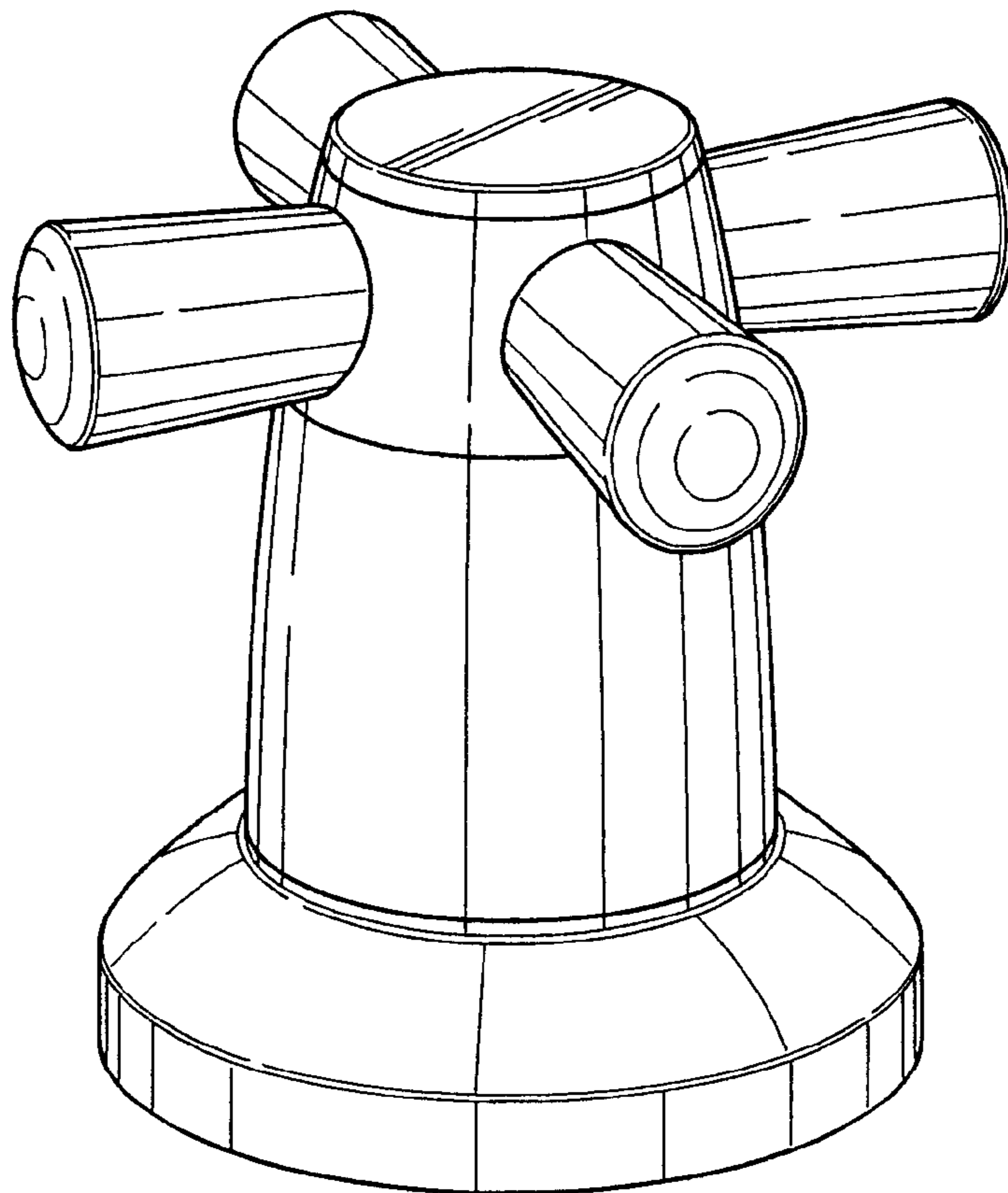


FIG. 2

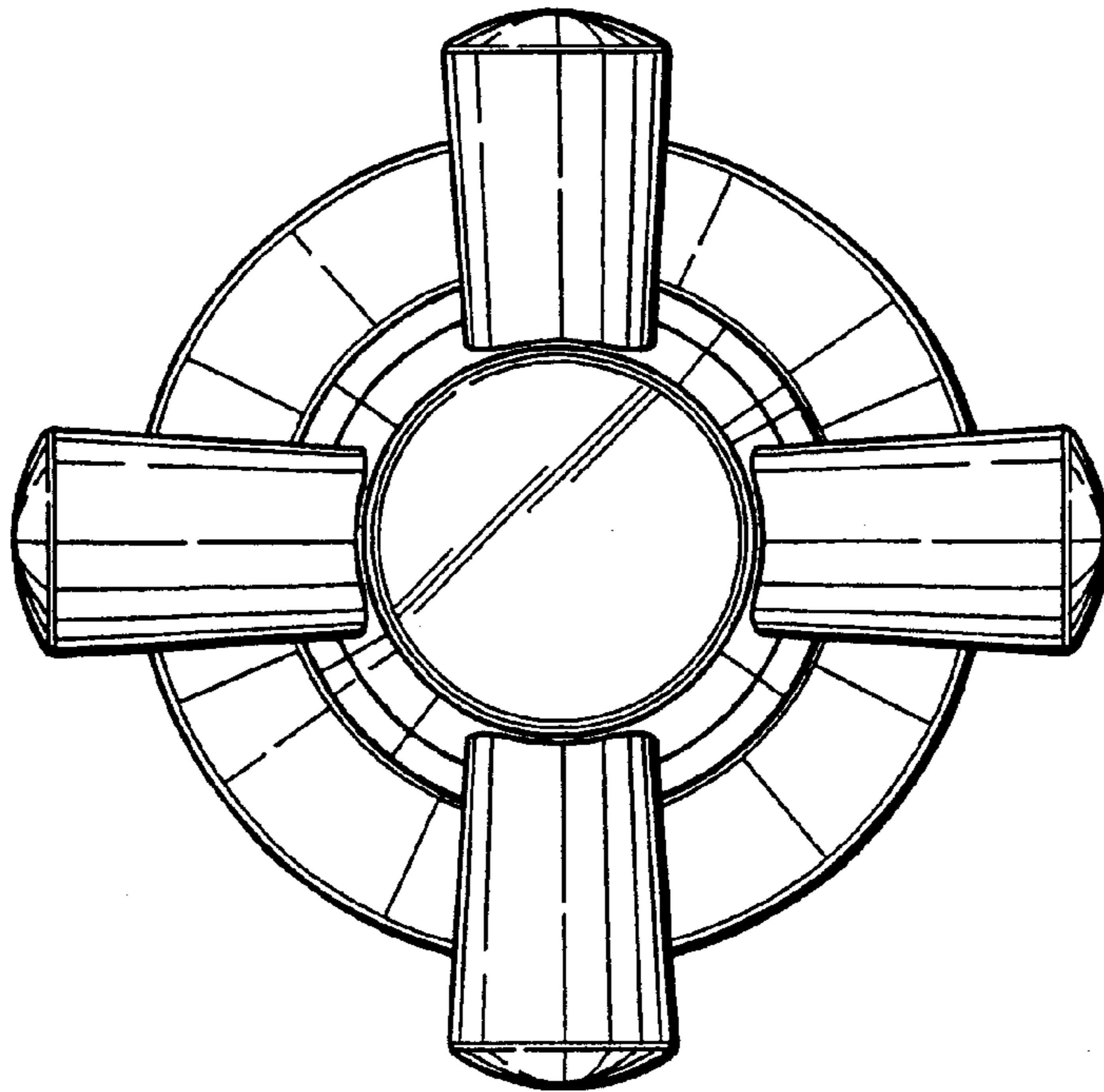


FIG. 3

