



US00D518878S

(12) **United States Design Patent**
Thun

(10) **Patent No.:** **US D518,878 S**

(45) **Date of Patent:** **** Apr. 11, 2006**

(54) **TAP SET**

D465,559 S * 11/2002 Chen D23/242
D469,854 S * 2/2003 Ouyoung D23/242
D477,054 S * 7/2003 Schonherr et al. D23/242

(75) Inventor: **Matteo Thun**, Milan (IT)

(73) Assignee: **Zucchetti Rubinetteria S.p.A.**,
Gozzano (IT)

(**) Term: **14 Years**

(21) Appl. No.: **29/225,947**

(22) Filed: **Mar. 22, 2005**

(30) **Foreign Application Priority Data**

Sep. 28, 2004 (EP) i 000238720

(51) **LOC (8) Cl.** **23-01**

(52) **U.S. Cl.** **D23/241**; D23/242

(58) **Field of Classification Search** D23/238–257;
4/675–678; 137/801

See application file for complete search history.

(56) **References Cited**

U.S. PATENT DOCUMENTS

D28,234 S * 2/1898 Brewster D23/238
D285,597 S * 9/1986 Miller et al. D23/242
D385,952 S * 11/1997 Hundley et al. D23/250

OTHER PUBLICATIONS

U.S. Appl. No. 29/225,965, filed Mar. 22, 2004, Thun, Mixer Tap.

* cited by examiner

Primary Examiner—Louis S. Zarfes

Assistant Examiner—Gregory Andoll

(74) *Attorney, Agent, or Firm*—Heslin Rothenberg Farley & Mesiti P.C.; Victor A. Cardona, Esq.

(57) **CLAIM**

The ornamental design for a tap set, as shown and described.

DESCRIPTION

FIG. 1 is a perspective view of the tap set comprising my new design;

FIG. 2 is a front elevational view thereof;

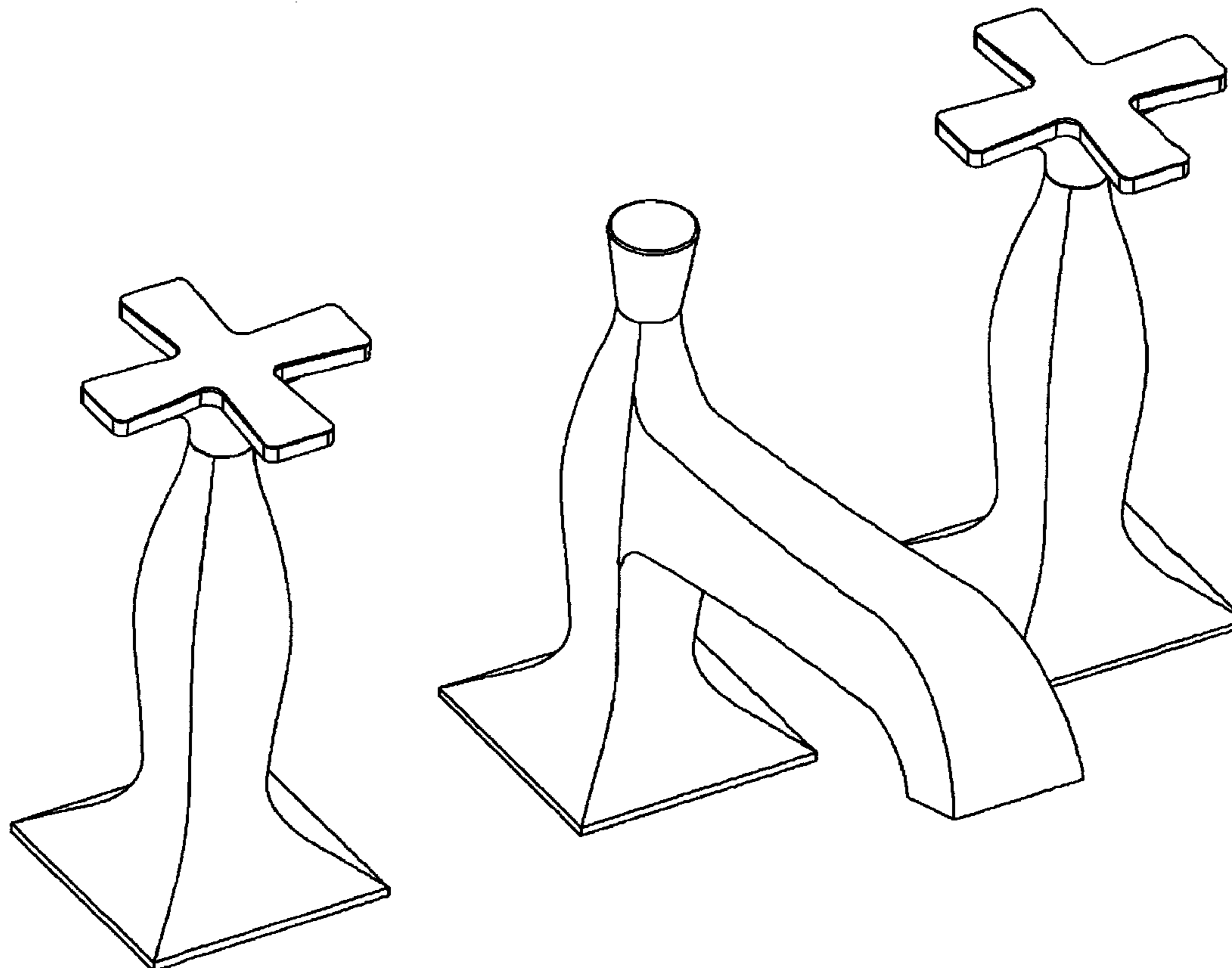
FIG. 3 is a back elevational view thereof;

FIG. 4 is a top elevational view thereof;

FIG. 5 is a left side view thereof; and,

FIG. 6 is a right side view thereof.

1 Claim, 6 Drawing Sheets



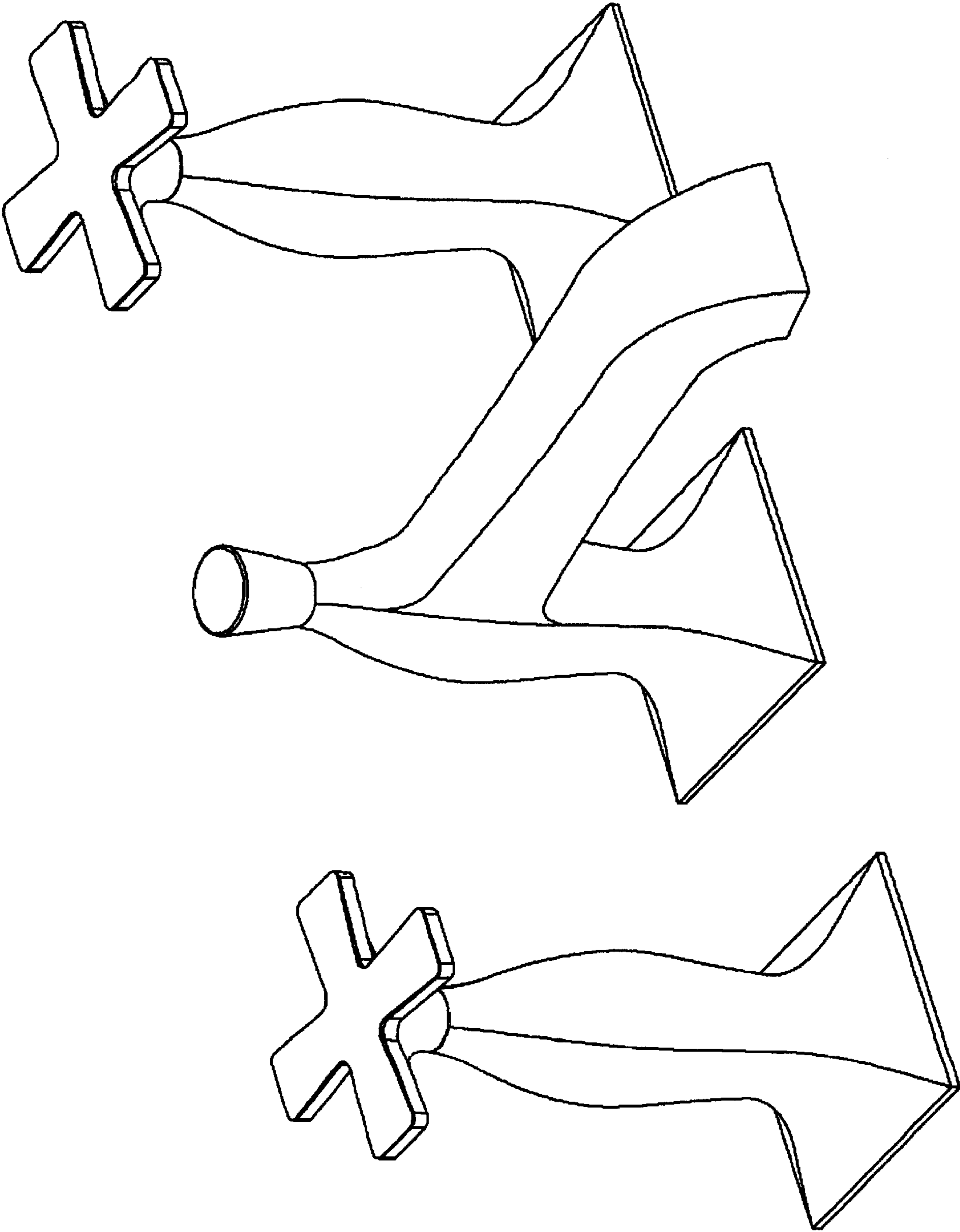


FIG. 1

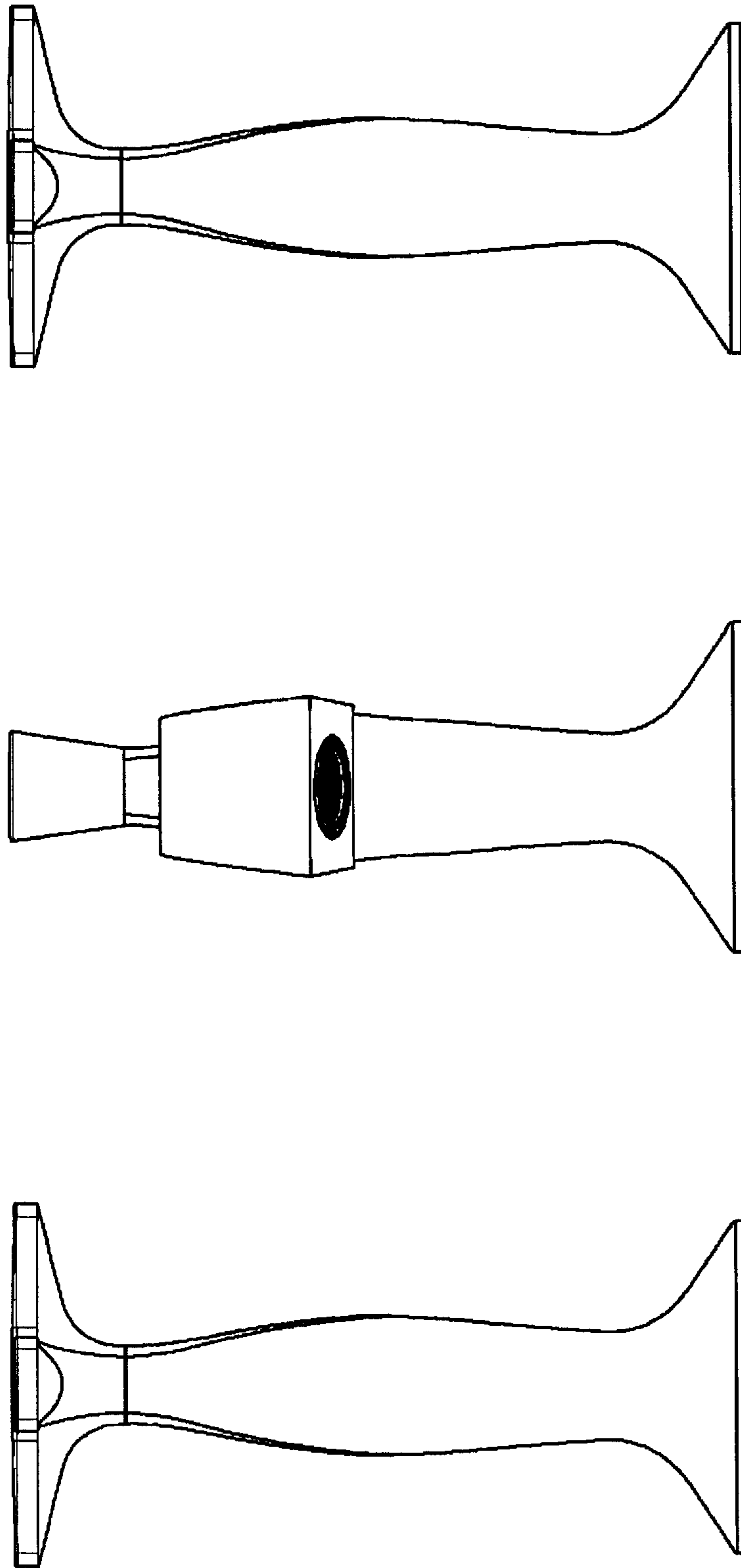


FIG. 2

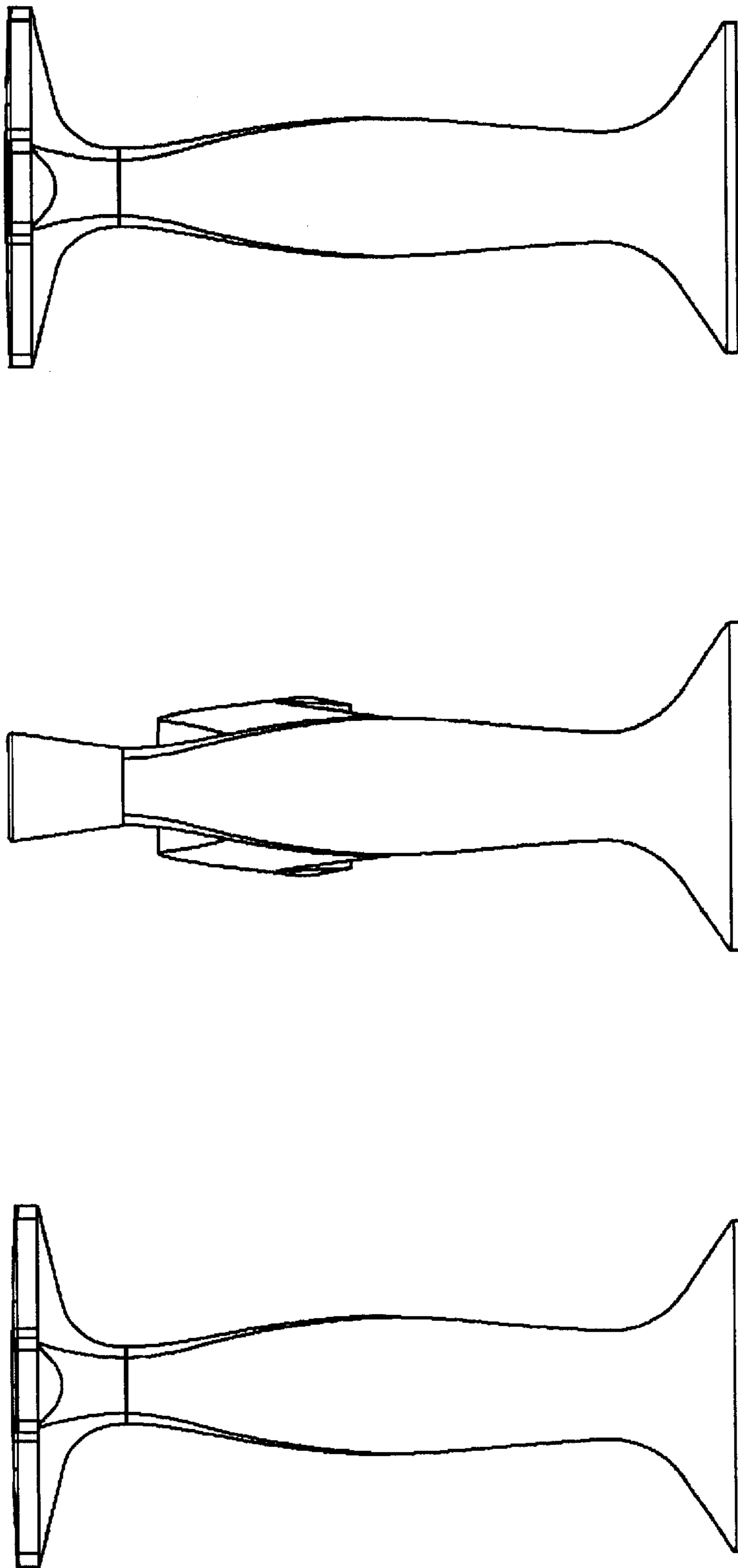


FIG. 3

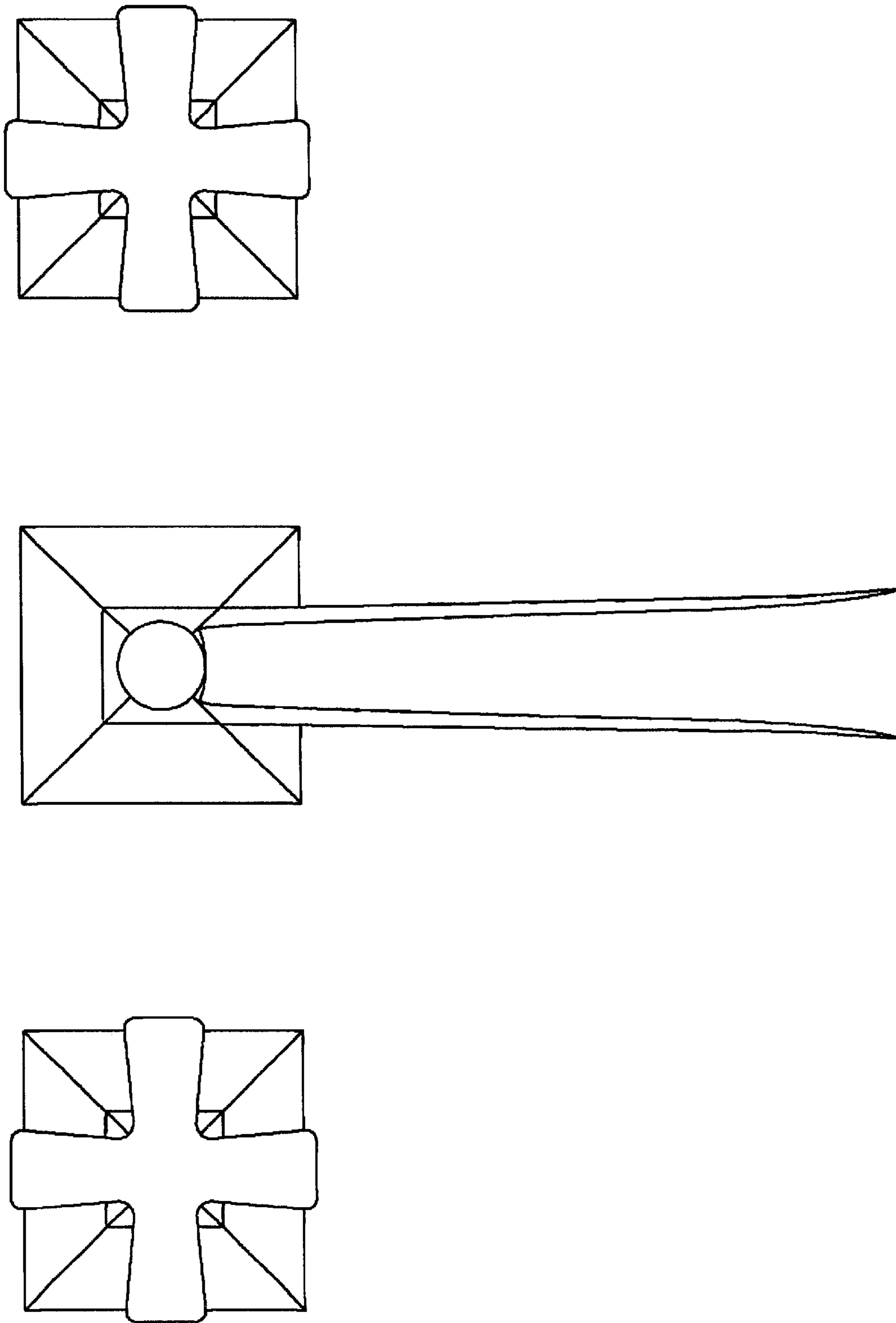


FIG. 4

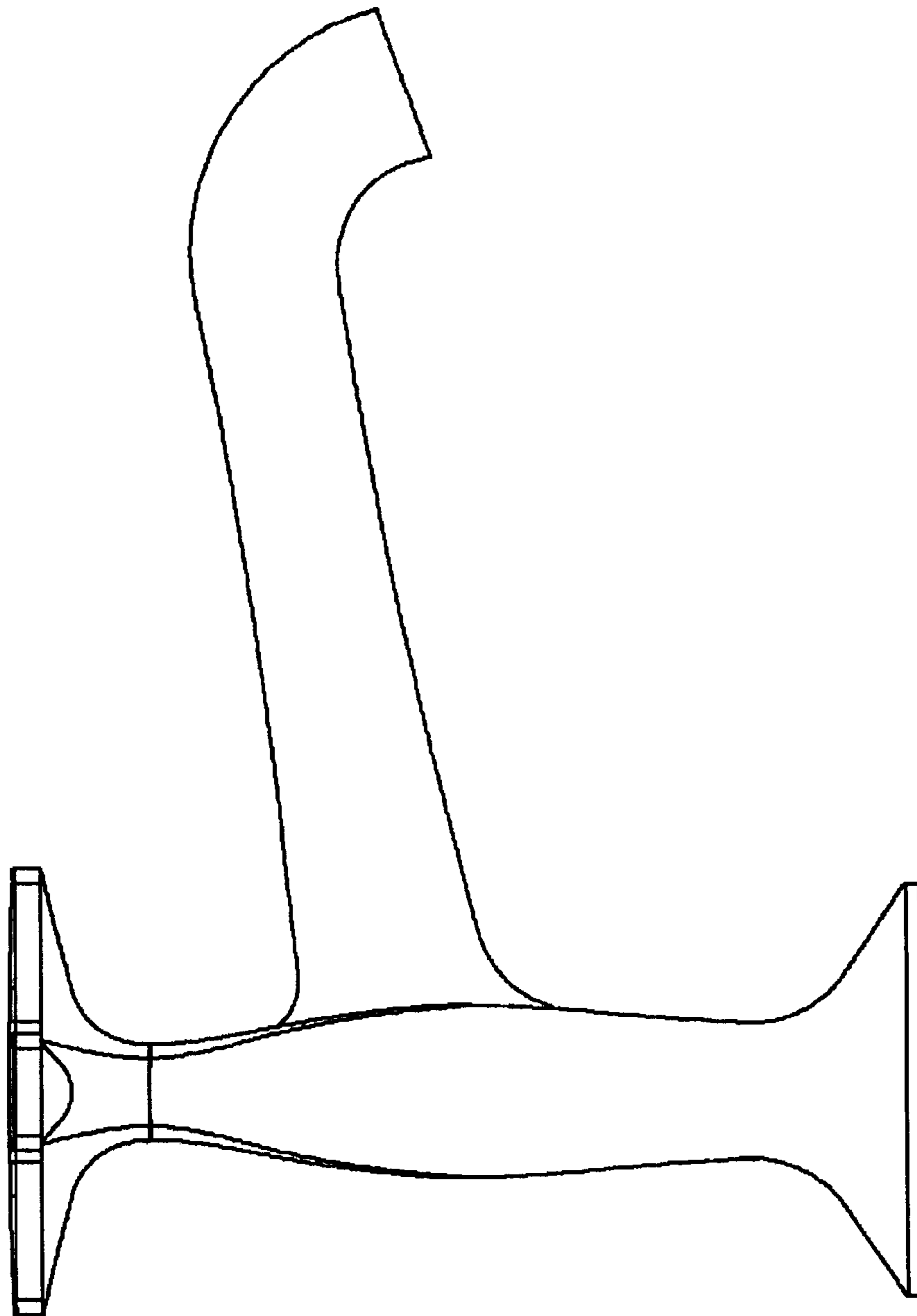


FIG. 5

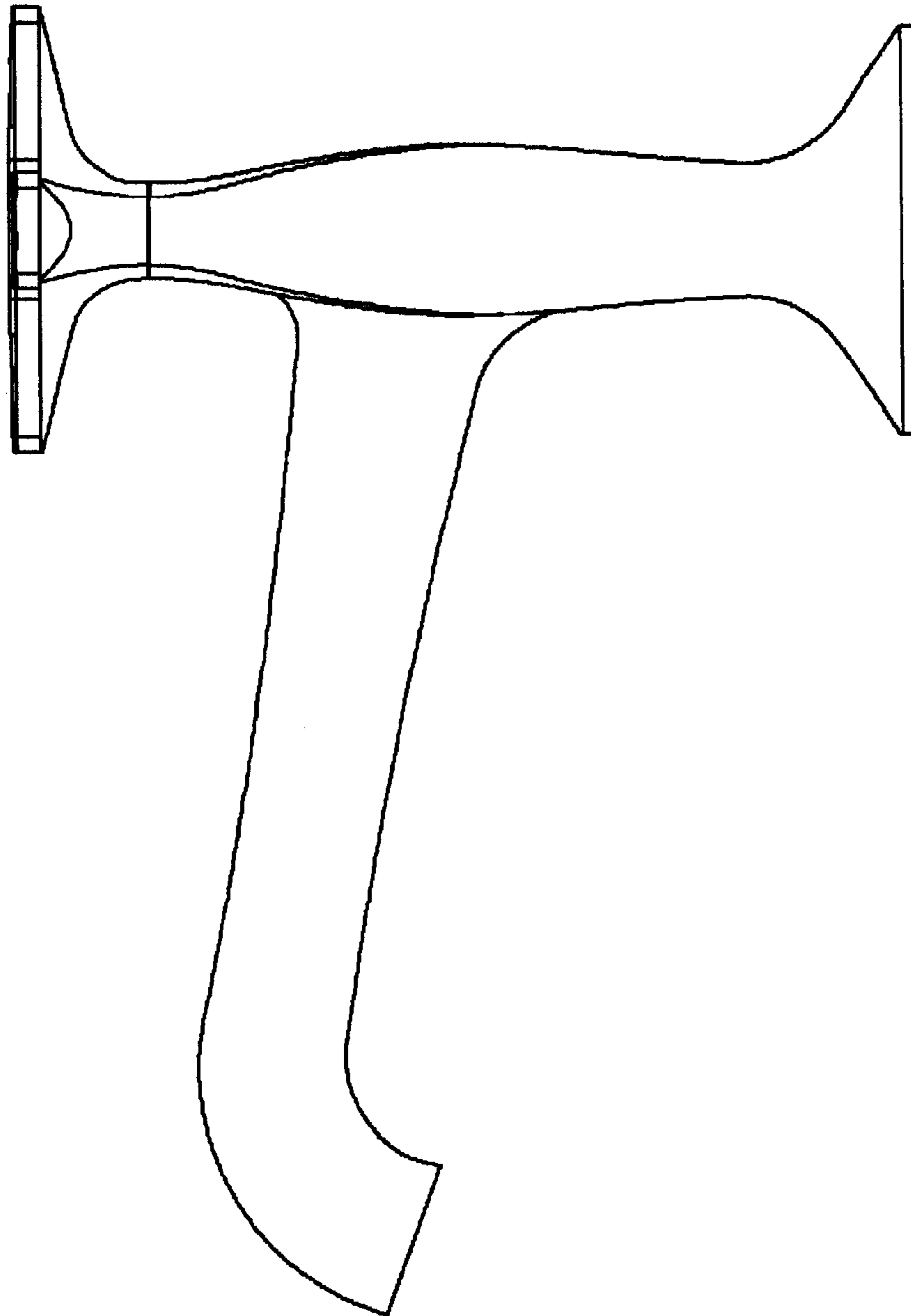


FIG. 6