



US00D518877S

(12) **United States Design Patent**
Kulig

(10) **Patent No.:** **US D518,877 S**

(45) **Date of Patent:** **** Apr. 11, 2006**

(54) **FAUCET**

(75) Inventor: **Zbigniew Kulig**, Milwaukee, WI (US)

(73) Assignee: **Graff Faucets**, Milwaukee, WI (US)

(**) Term: **14 Years**

(21) Appl. No.: **29/220,253**

(22) Filed: **Dec. 28, 2004**

(51) **LOC (8) Cl.** **23-01**

(52) **U.S. Cl.** **D23/241; D23/242; D23/238**

(58) **Field of Classification Search** **D23/238-257;**
4/675-678; 137/801

See application file for complete search history.

(56) **References Cited**

U.S. PATENT DOCUMENTS

D266,104 S	*	9/1982	Johnson	D23/241
D271,513 S	*	11/1983	Paul	D23/238
D280,233 S	*	8/1985	Fleischmann	D23/238
D461,530 S		8/2002	Moll		
D486,562 S	*	2/2004	Spangler	D23/255

OTHER PUBLICATIONS

Kulig et al., U.S. Appl. No. 29/200,361, filed Feb. 26, 2004, entitled Faucet.

Kulig, U.S. Appl. No. 29/200,423, filed Feb. 26, 2004, entitled Faucet.

* cited by examiner

Primary Examiner—Louis S. Zarfes

Assistant Examiner—Gregory Andoll

(74) *Attorney, Agent, or Firm*—Boyle Fredrickson Newholm Stein & Gratz S.C.

(57) **CLAIM**

The ornamental design for a faucet, as shown and described.

DESCRIPTION

FIG. 1 is perspective view of a faucet incorporating my new design, viewed from in front of, above, and from the left side of the faucet;

FIG. 2 is a front elevation view thereof;

FIG. 3 is a rear elevation view thereof;

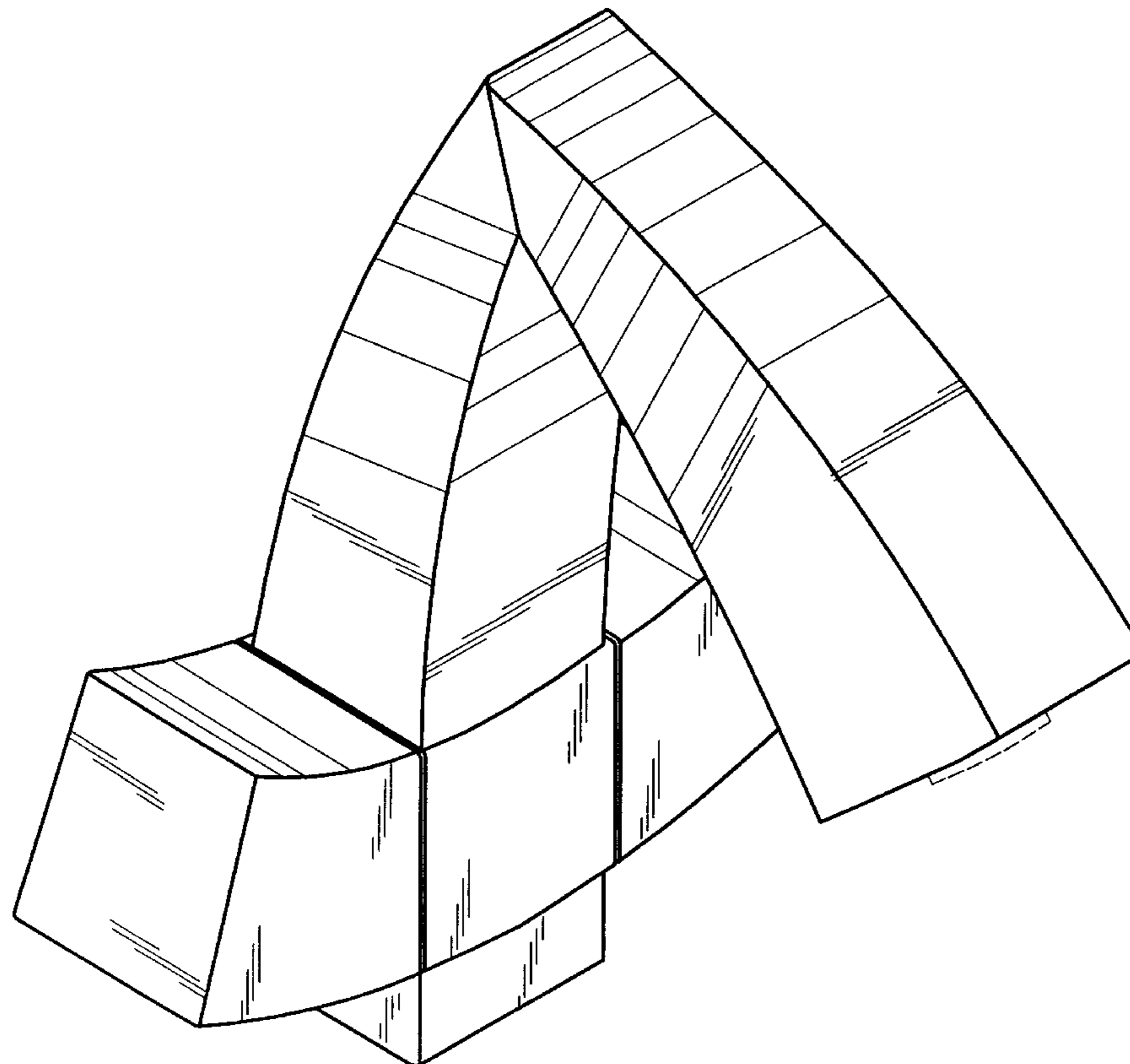
FIG. 4 is a top plan view thereof;

FIG. 5 is a bottom plan view thereof; and,

FIG. 6 is a left-side elevation view thereof, with the right side being a mirror image of the left side.

The broken lines in FIG. 5 are for illustrative purposes only and form no part of the claimed design.

1 Claim, 6 Drawing Sheets



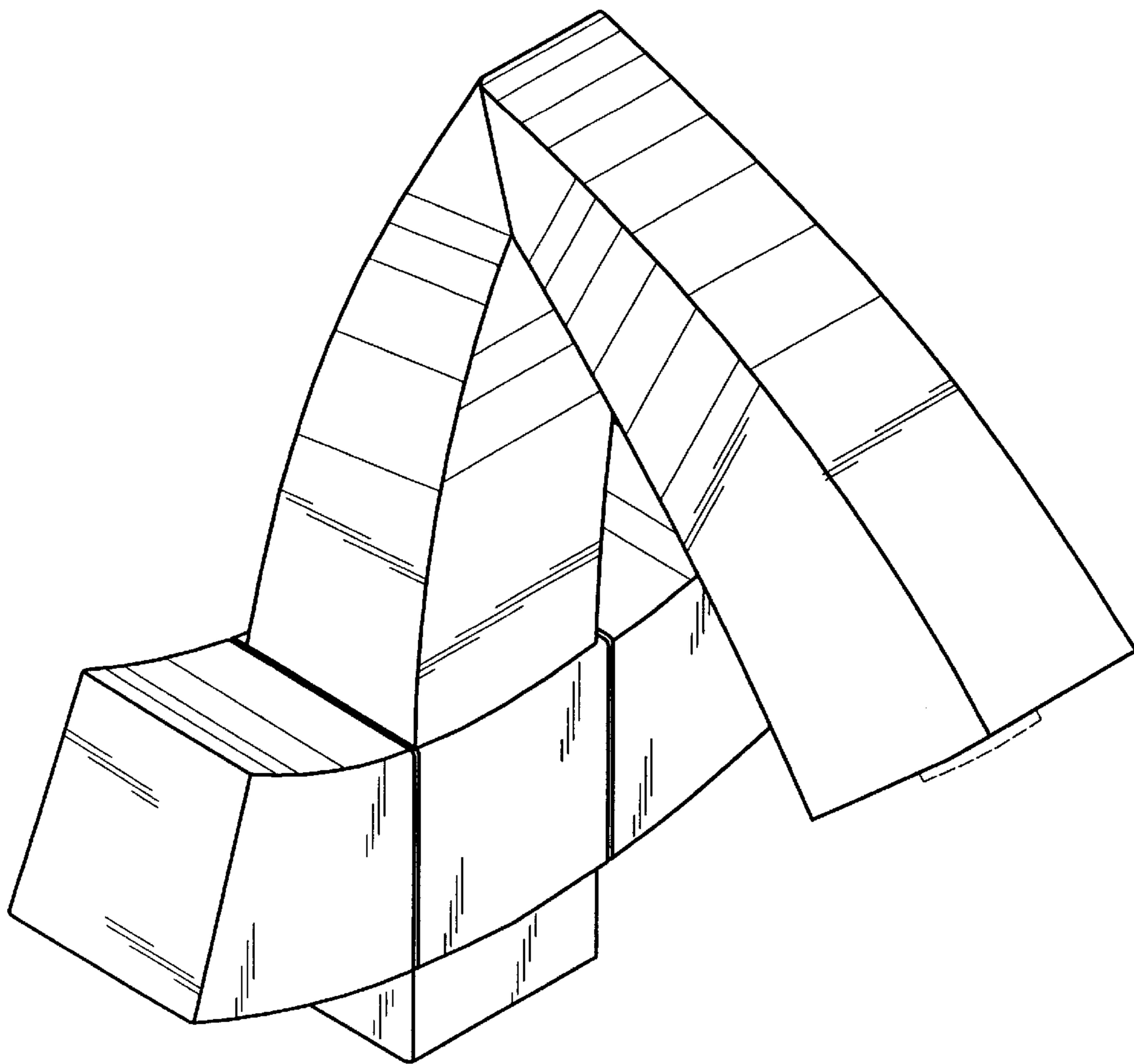


FIG. 1

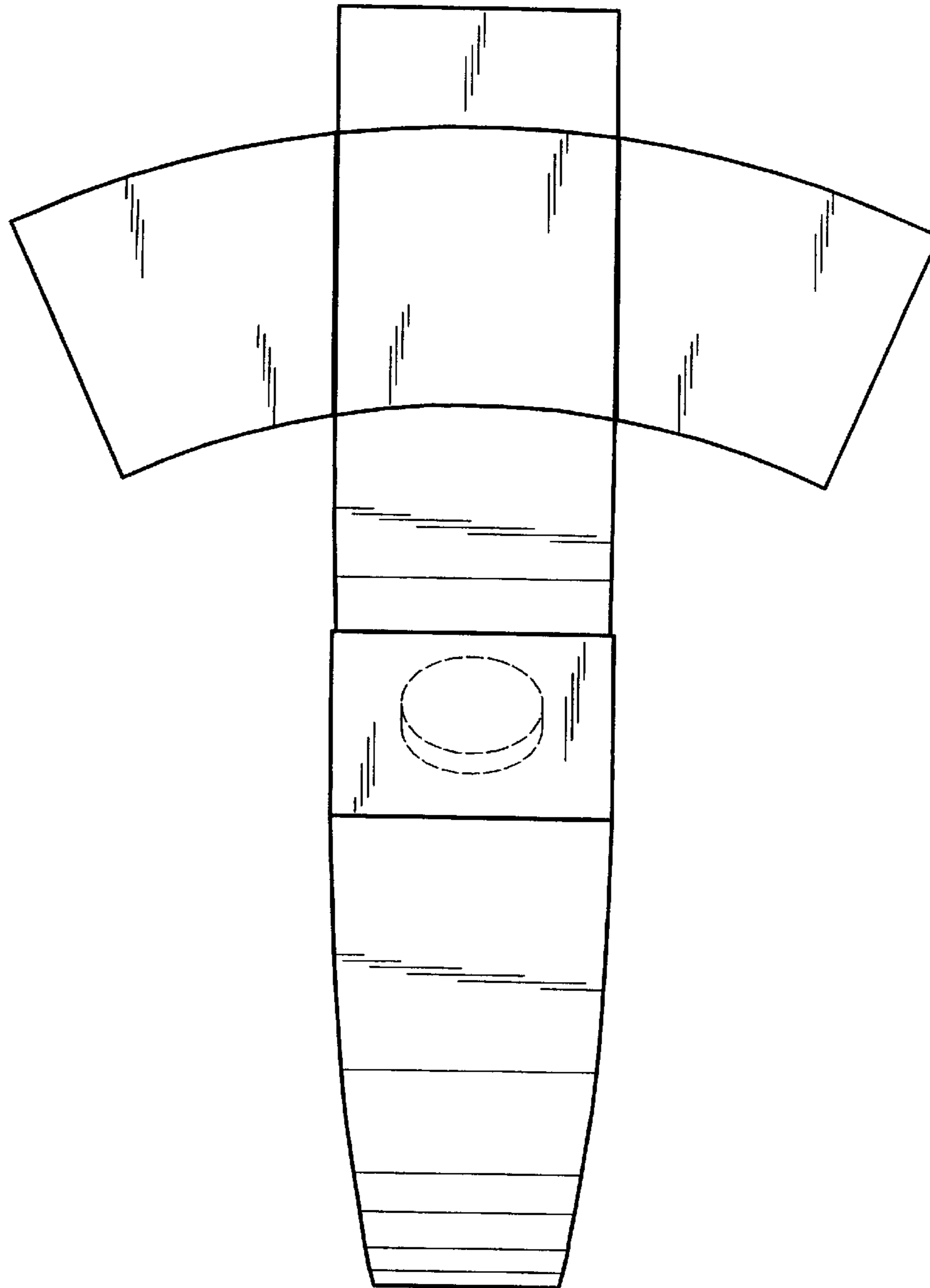


FIG. 2

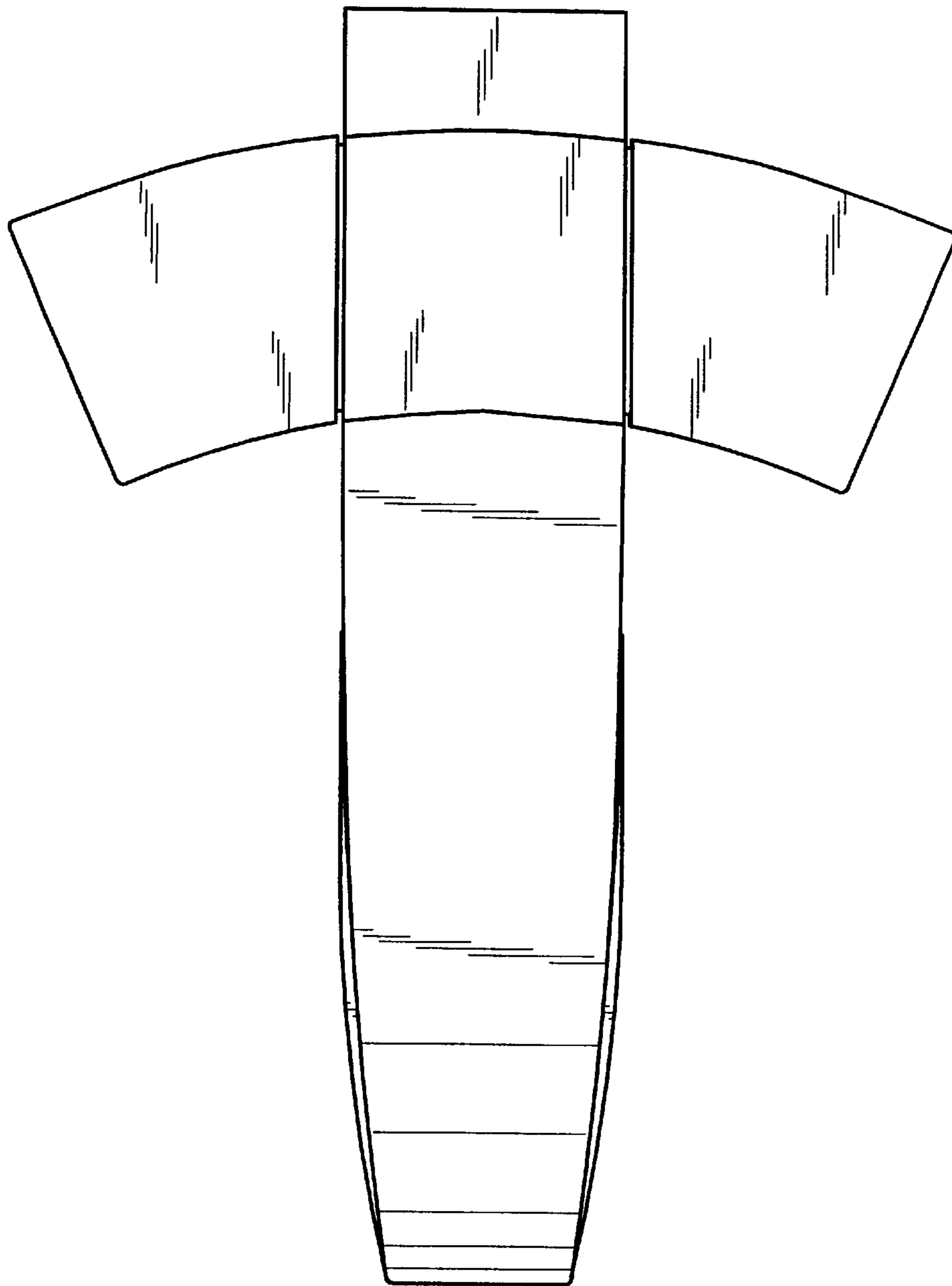


FIG. 3

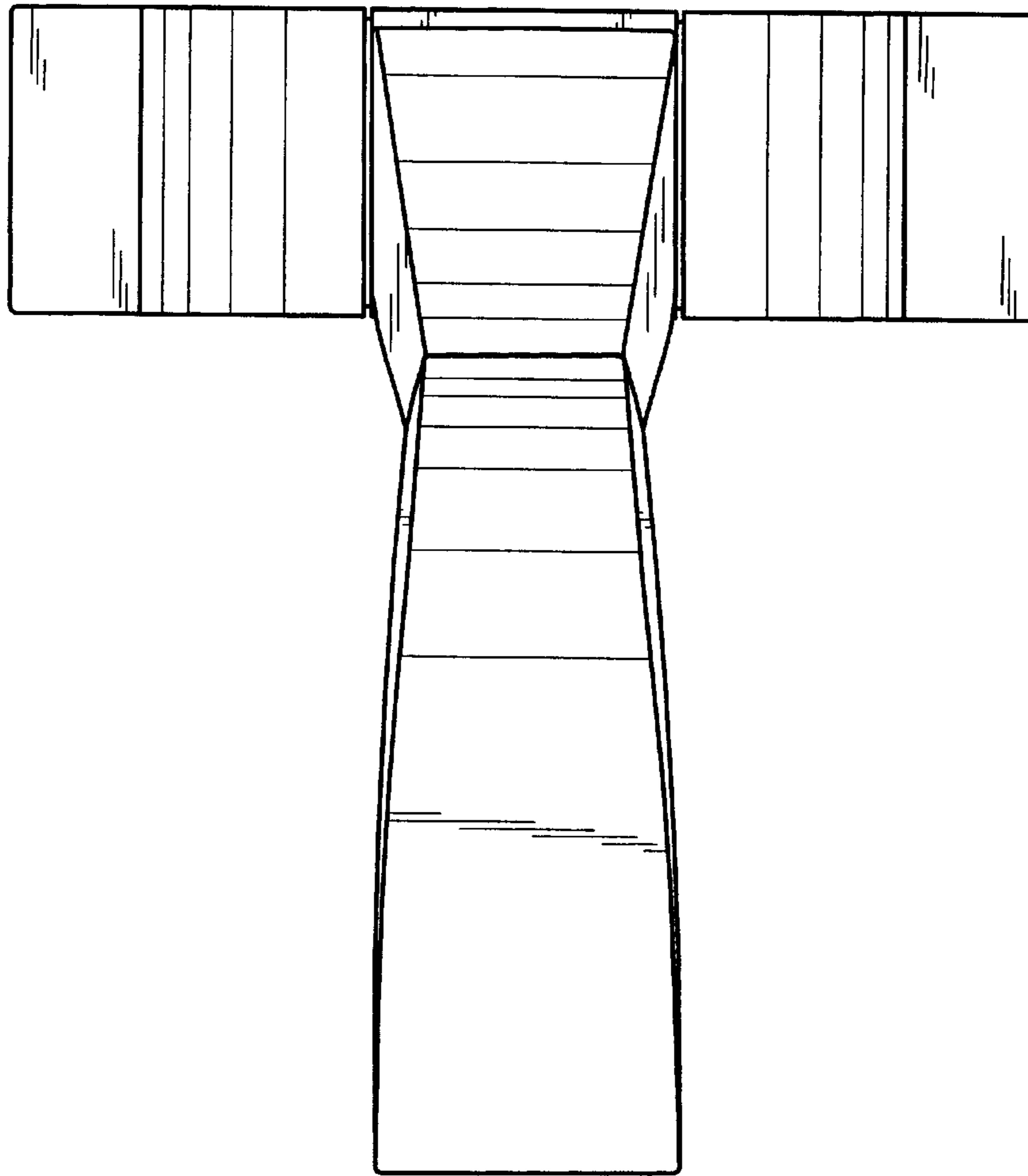


FIG. 4

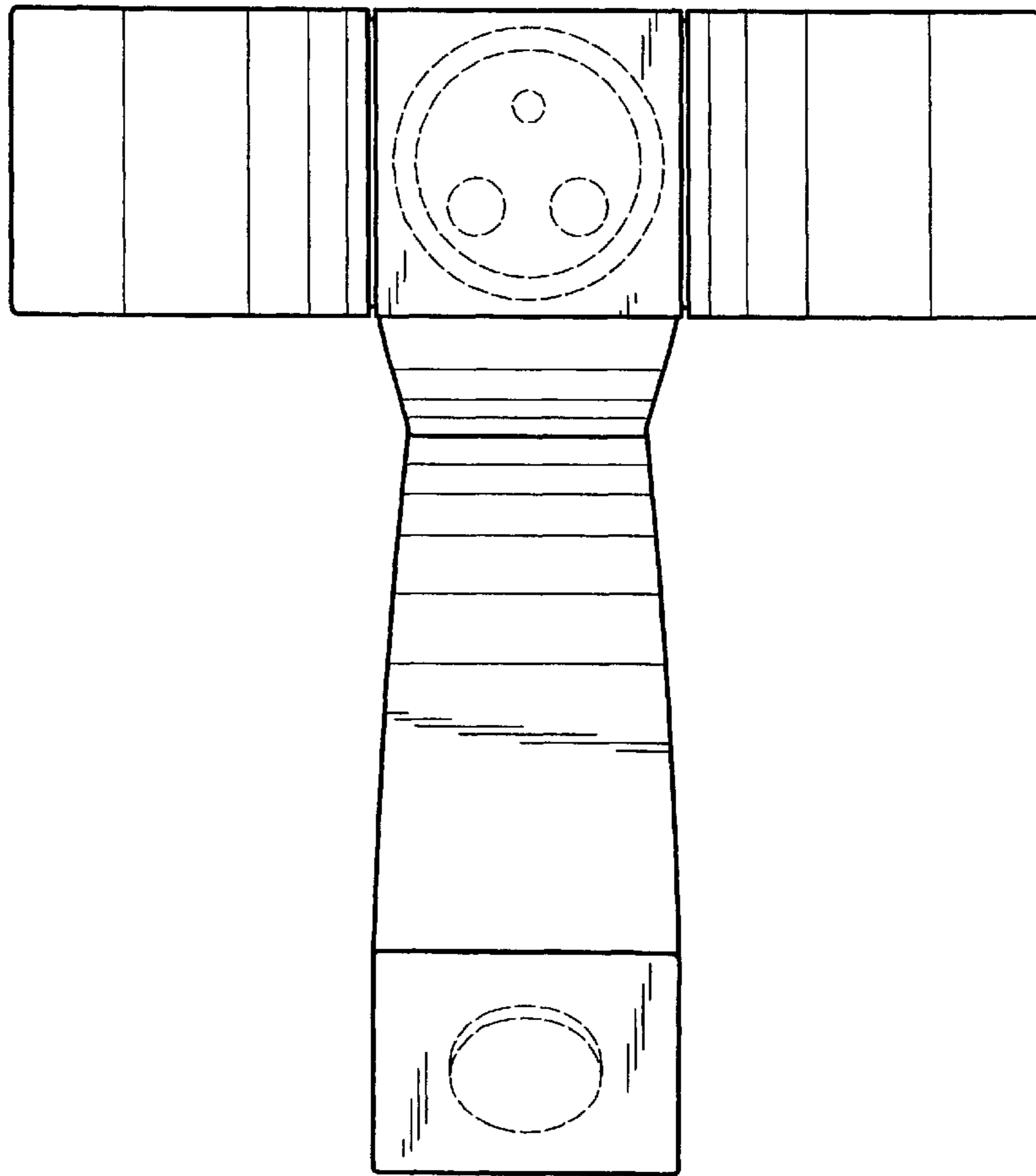


FIG. 5

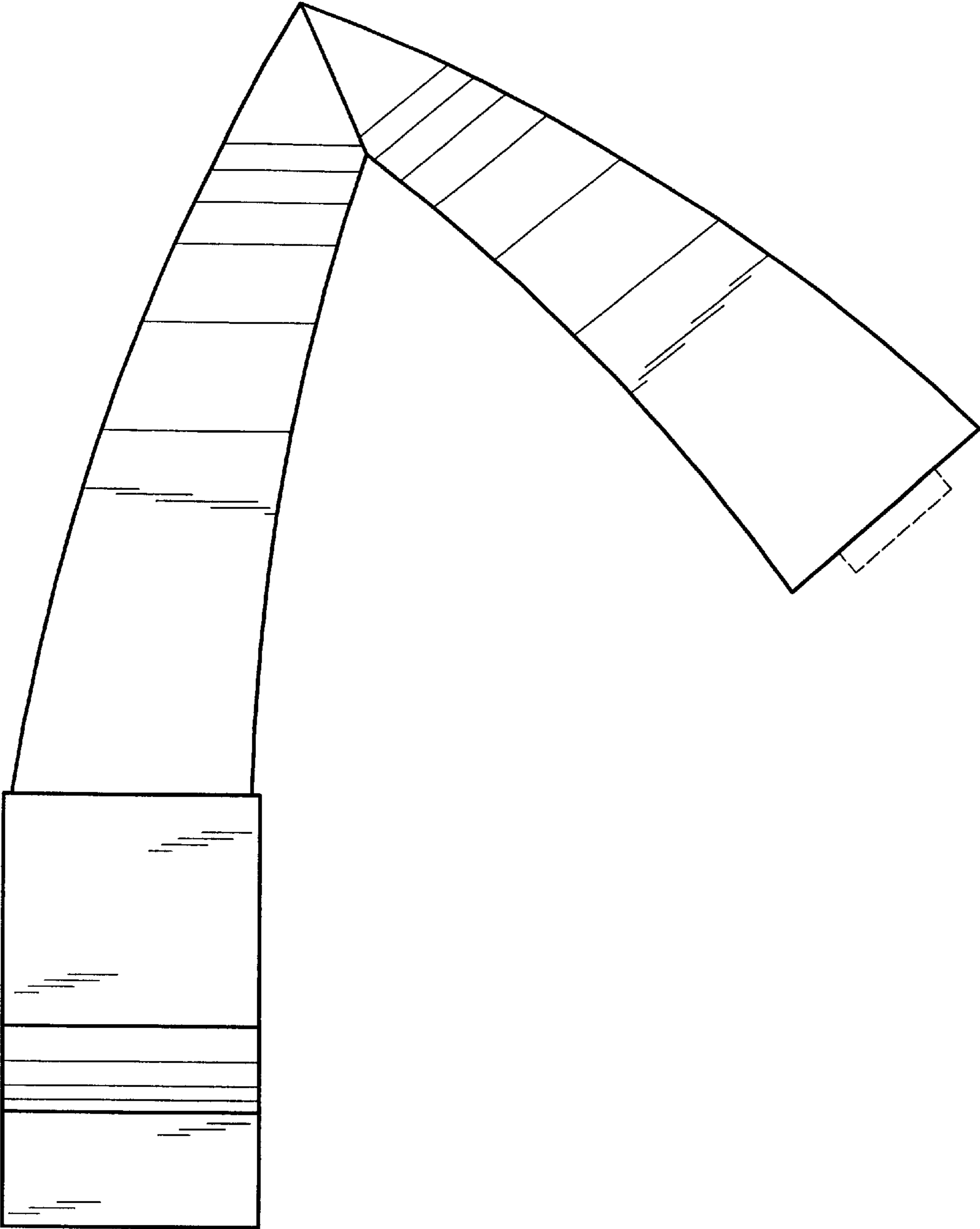


FIG. 6