



US00D518869S

(12) **United States Design Patent**
Thomley

(10) **Patent No.:** **US D518,869 S**

(45) **Date of Patent:** **** Apr. 11, 2006**

(54) **FISHHOOK REMOVAL TOOL**

D451,167 S * 11/2001 Metteer D22/149
D456,484 S * 4/2002 D'Antico D22/149

(76) Inventor: **Cecil Thomley**, P.O. Box 44, Pinehurst,
TX (US) 77362

* cited by examiner

(**) Term: **14 Years**

Primary Examiner—Catherine R. Oliver
(74) *Attorney, Agent, or Firm*—Kenneth A. Roddy

(21) Appl. No.: **29/217,126**

(57) **CLAIM**

(22) Filed: **Nov. 11, 2004**

The ornamental design for a fishhook removal tool, as shown and described.

(51) **LOC (8) Cl.** **22-05**

(52) **U.S. Cl.** **D22/149**

(58) **Field of Classification Search** D22/149,
D22/134, 199; 43/17.2, 53.5; D8/40, 18,
D8/2

DESCRIPTION

See application file for complete search history.

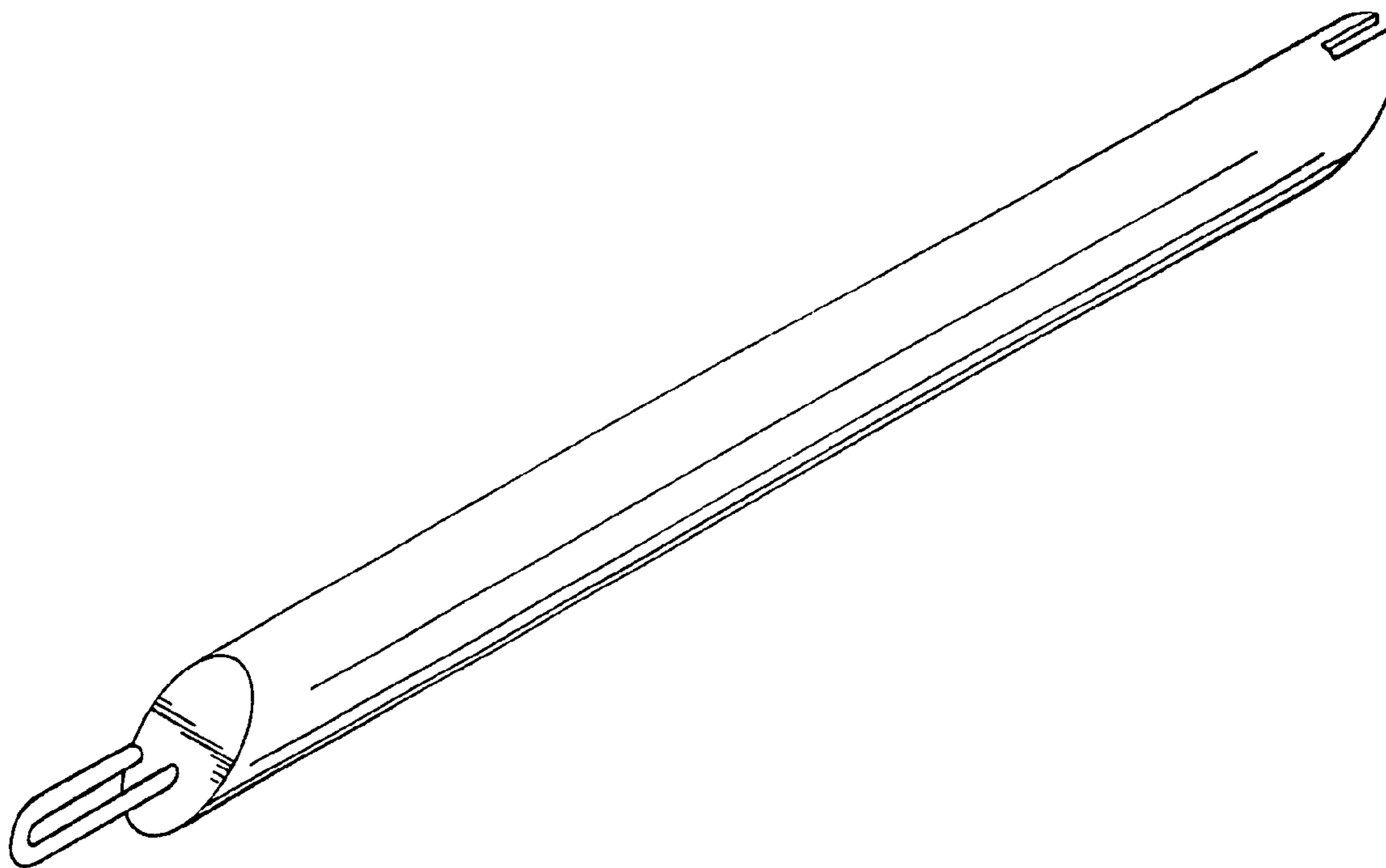
FIG. 1 is an isometric view of a fishhook removal tool showing my new design from the top and one end; FIG. 2 is an isometric view thereof showing my new design from the bottom and end opposite that shown in FIG. 1; FIG. 3 is an isometric view of an alternate embodiment of the fishhook removal tool showing my new design from the top and one end; and, FIG. 4 is an isometric view thereof showing my new design from the bottom and end opposite that shown in FIG. 3.

(56) **References Cited**

U.S. PATENT DOCUMENTS

D369,646 S * 5/1996 Richards D22/149
D379,842 S * 6/1997 Richards D22/149
D387,846 S * 12/1997 Brain D22/149

1 Claim, 2 Drawing Sheets



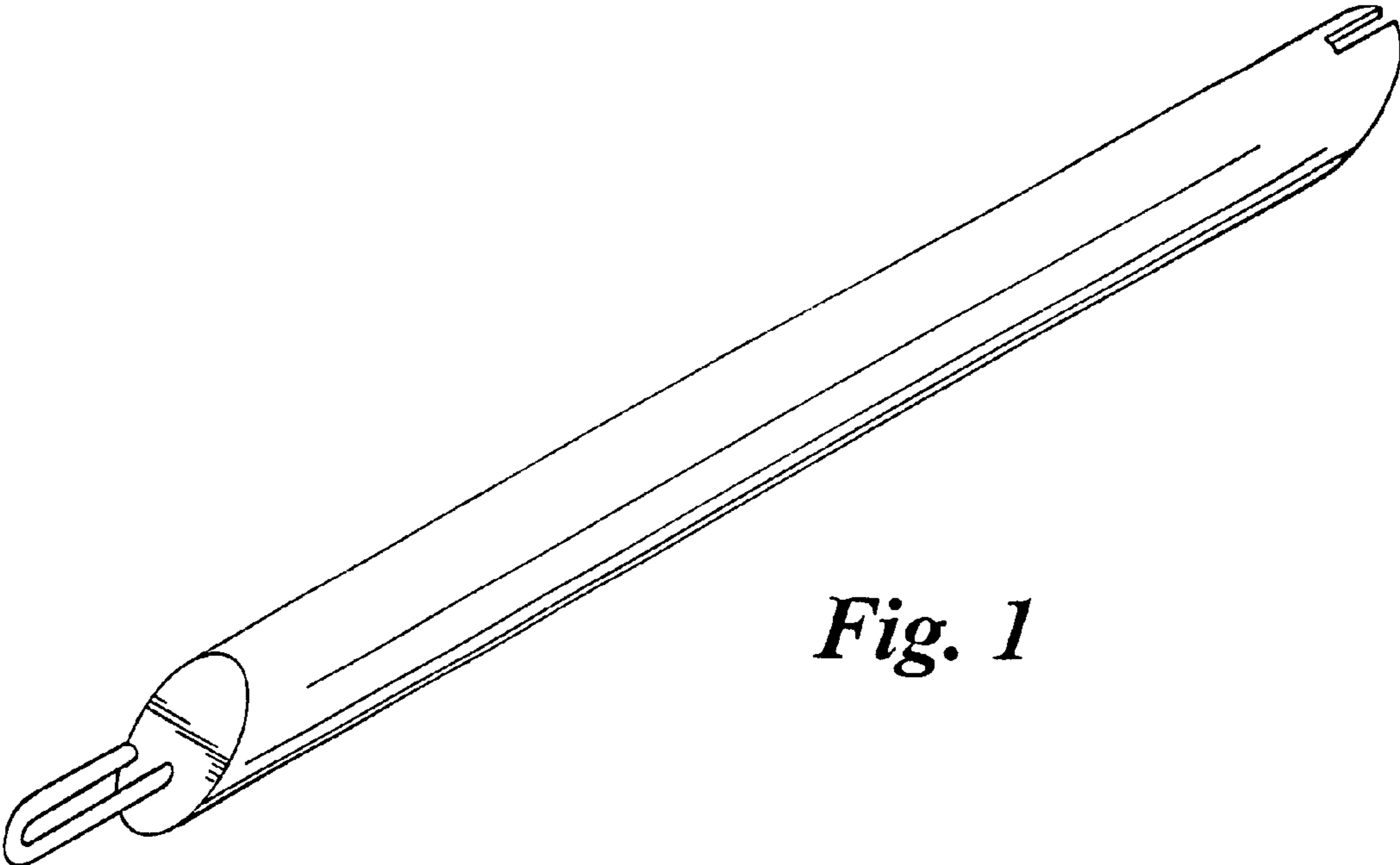


Fig. 1

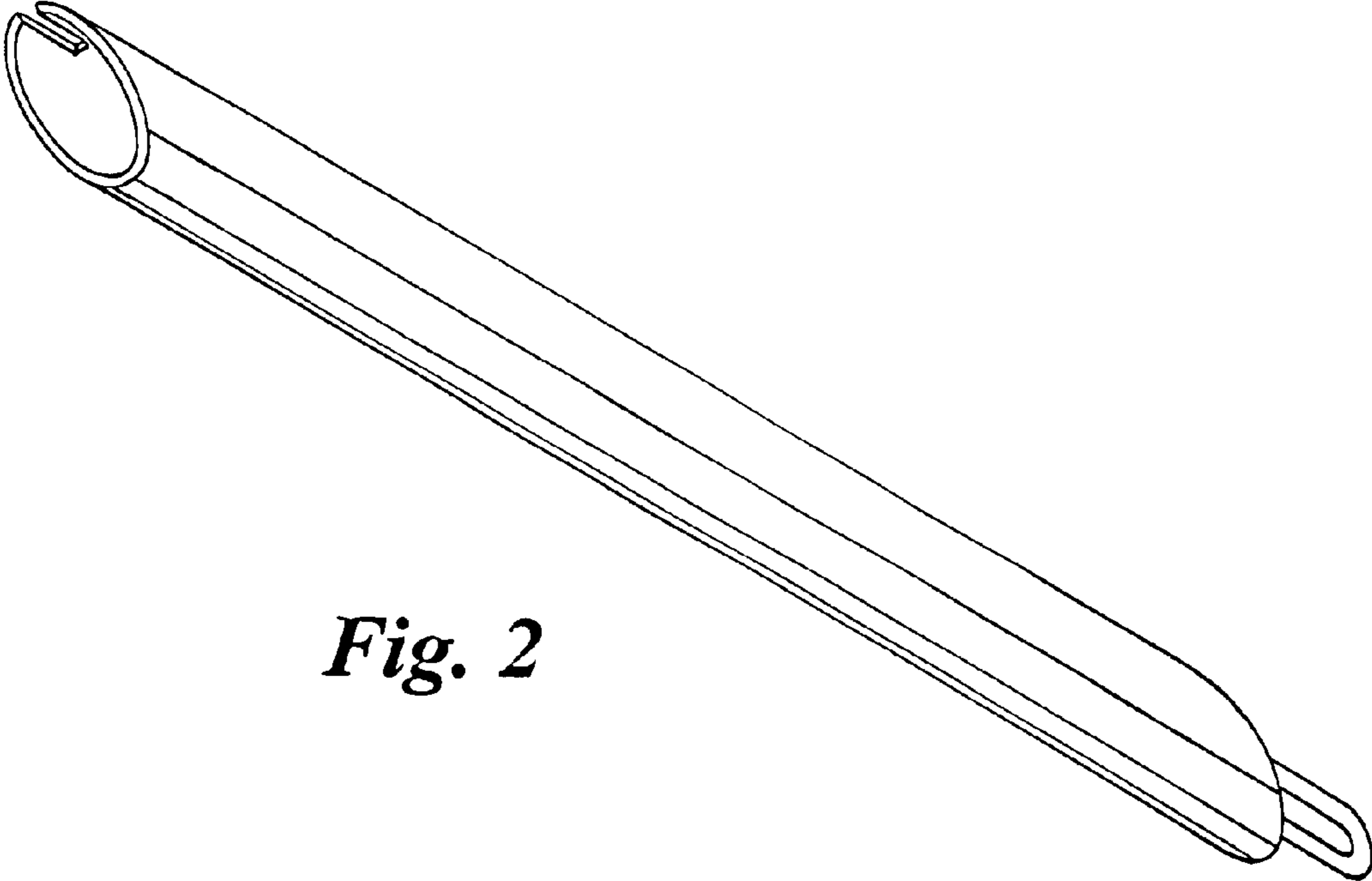


Fig. 2

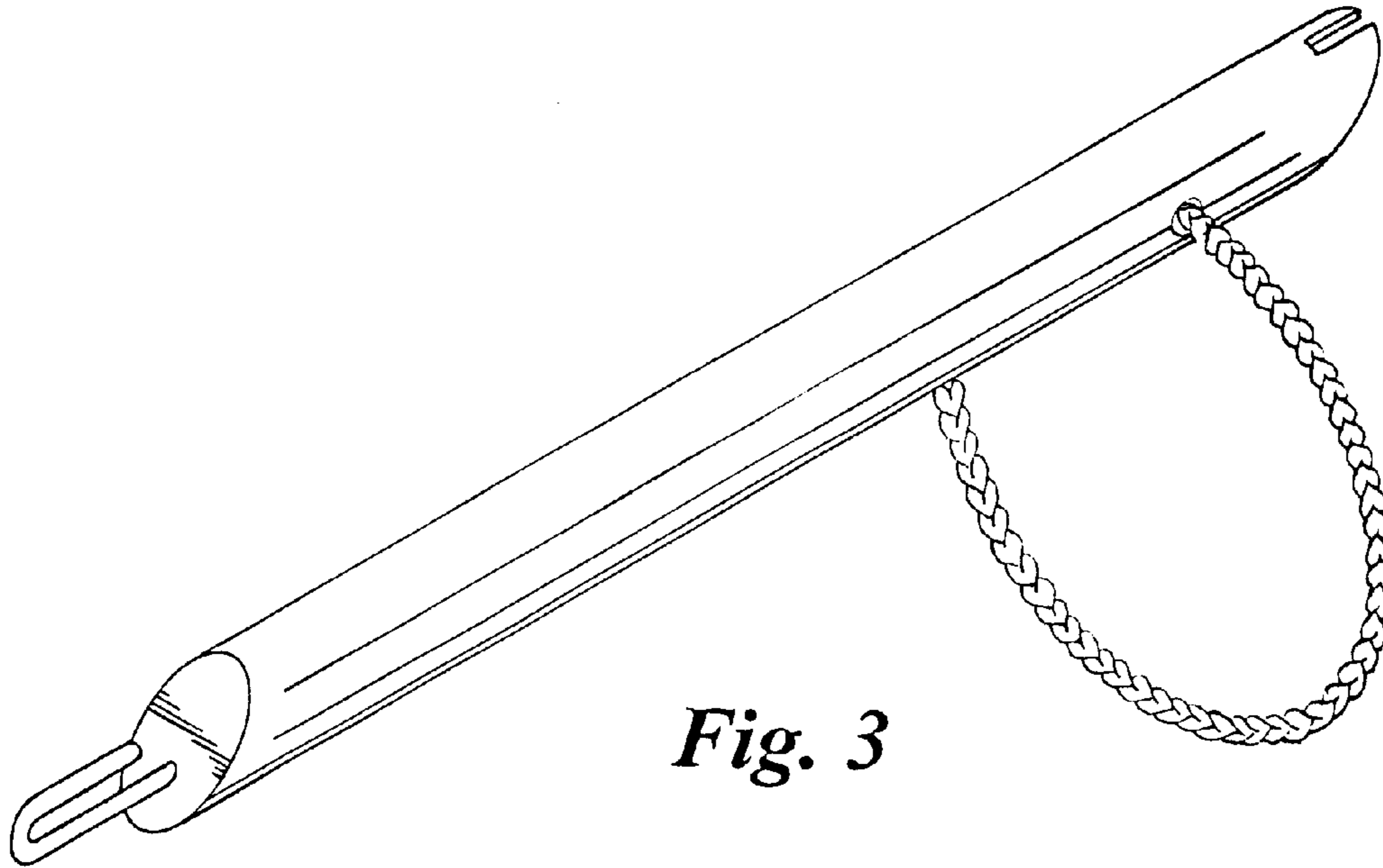


Fig. 3

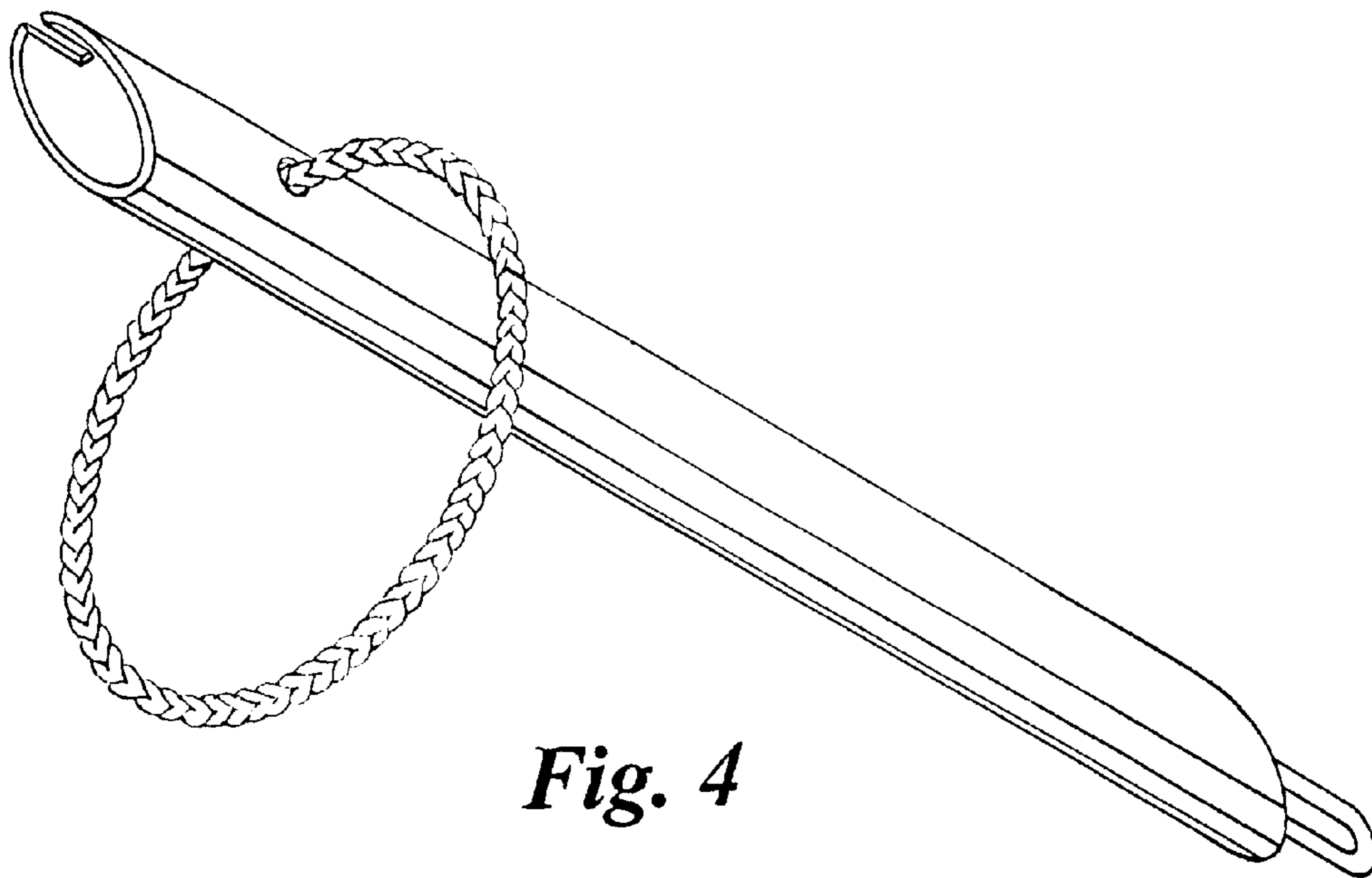


Fig. 4