



US00D518866S

(12) **United States Design Patent**
Cantwell

(10) **Patent No.:** **US D518,866 S**

(45) **Date of Patent:** **** Apr. 11, 2006**

(54) **SCREENHOUSE TENT PANTRY**

(75) Inventor: **Robert Cantwell**, Leslie, MO (US)

(73) Assignee: **NorthPole US LLC**, Washington, MO (US)

(**) Term: **14 Years**

(21) Appl. No.: **29/205,693**

(22) Filed: **May 18, 2004**

(51) **LOC (8) Cl.** **21-04**

(52) **U.S. Cl.** **D21/834**

(58) **Field of Classification Search** D21/834-839;
D25/13, 19, 26, 32, 56; 135/115, 123-126,
135/128, 135, 136, 143, 156, 900, 902; 446/487,
446/478

See application file for complete search history.

(56) **References Cited**

U.S. PATENT DOCUMENTS

4,793,371 A * 12/1988 O'Ferrell et al. 135/160
D325,063 S * 3/1992 Cantwell D21/834

D352,759 S * 11/1994 Cantwell D21/834
D403,041 S * 12/1998 Funk D21/834
D470,559 S * 2/2003 Funk et al. D21/834
2002/0000241 A1 * 1/2002 Lee 135/156

* cited by examiner

Primary Examiner—Antoine Duval Davis

Assistant Examiner—Cynthia M. Chin

(74) *Attorney, Agent, or Firm*—Armstrong Teasdale LLP

(57) **CLAIM**

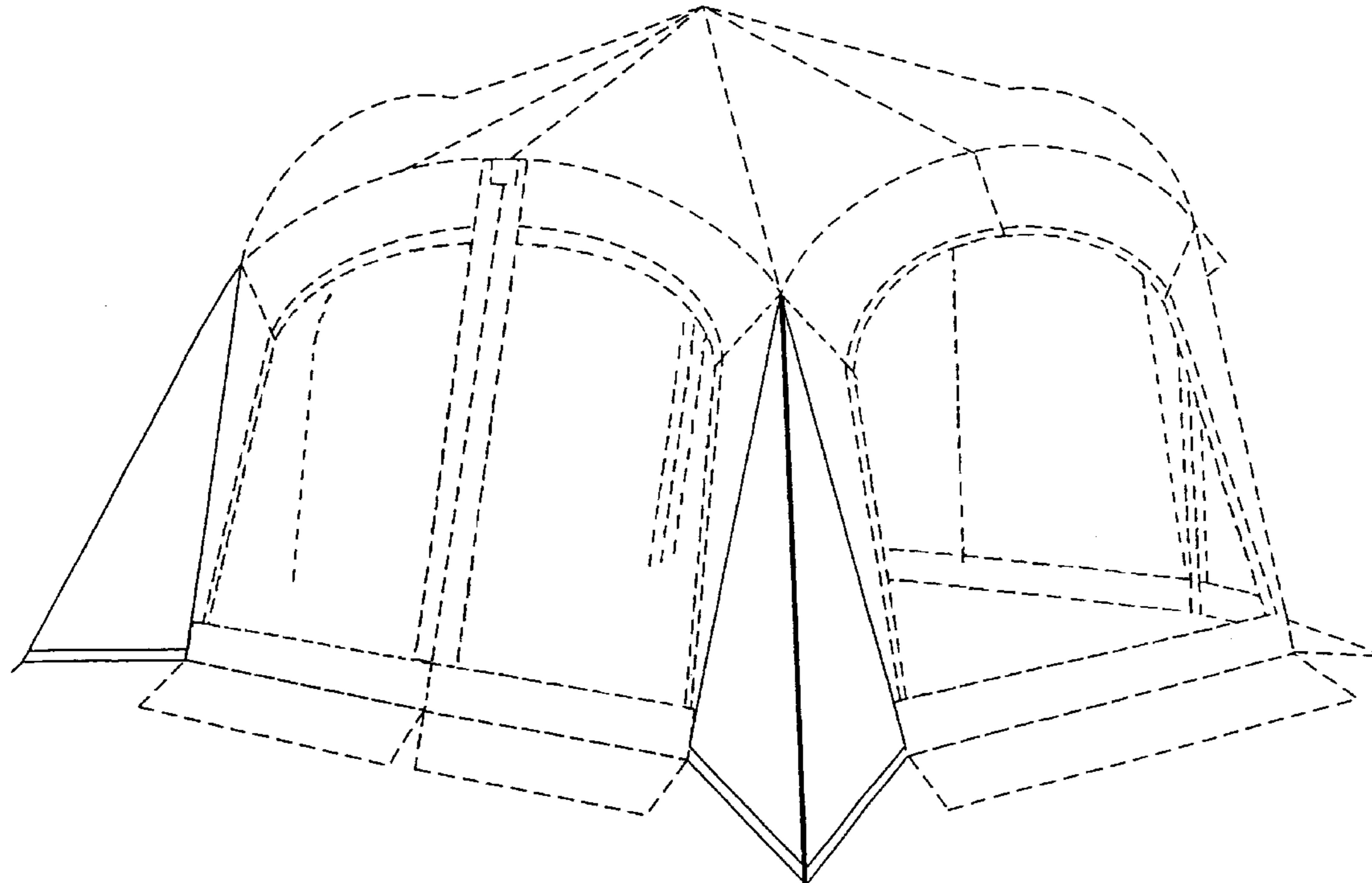
The ornamental design for a screenhouse tent pantry, as shown and described.

DESCRIPTION

FIG. 1 is a perspective view showing an ornamental design of a screenhouse tent pantry incorporating the new design; FIG. 2 is a front elevation view thereof; FIG. 3 is a top plan view thereof; and, FIG. 4 is a right side elevation view thereof, the left side being a mirror image thereof.

The broken lines are shown for illustrative purposes only and form no part of the claimed design.

1 Claim, 4 Drawing Sheets



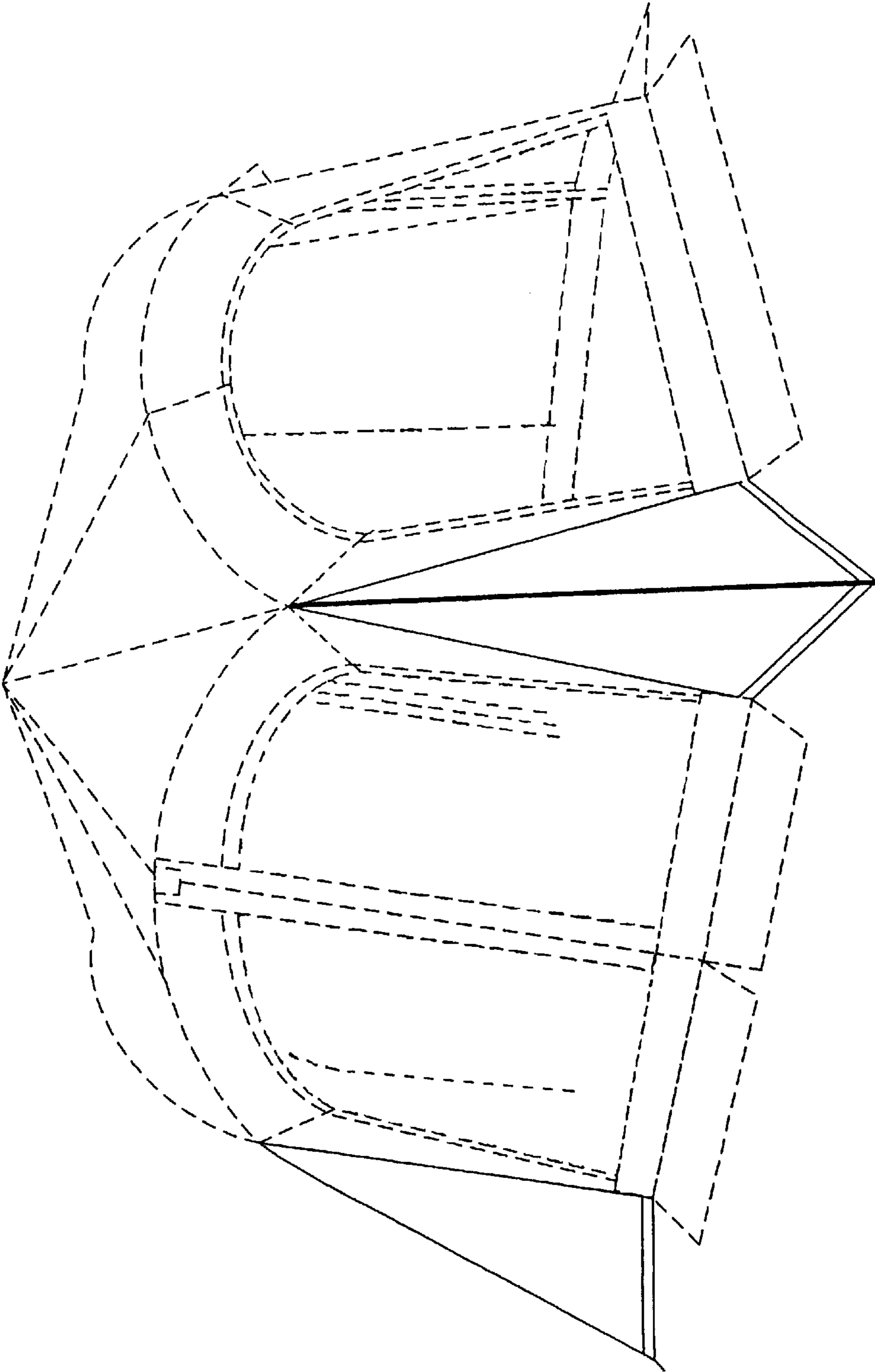


FIG. 1

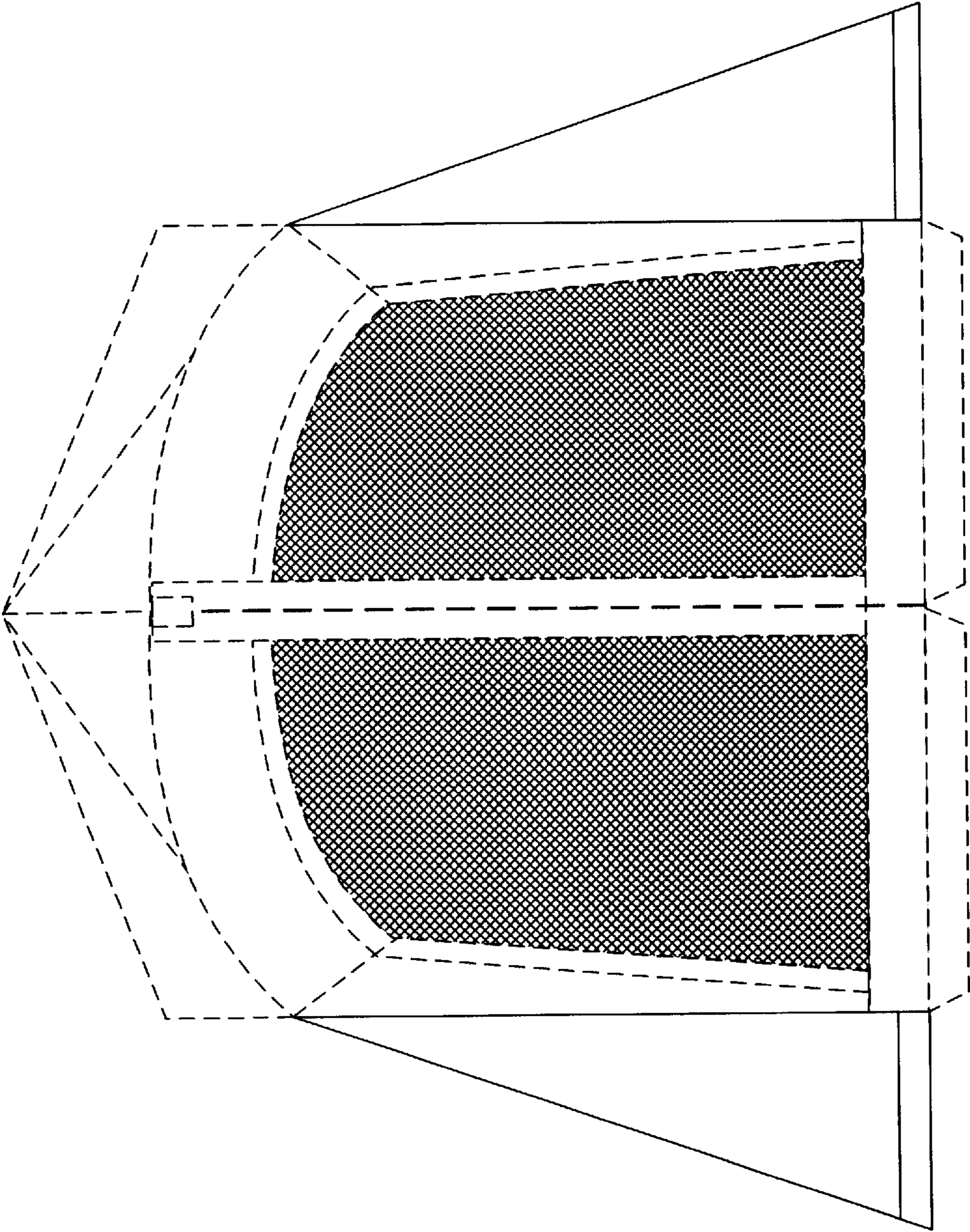


FIG. 2

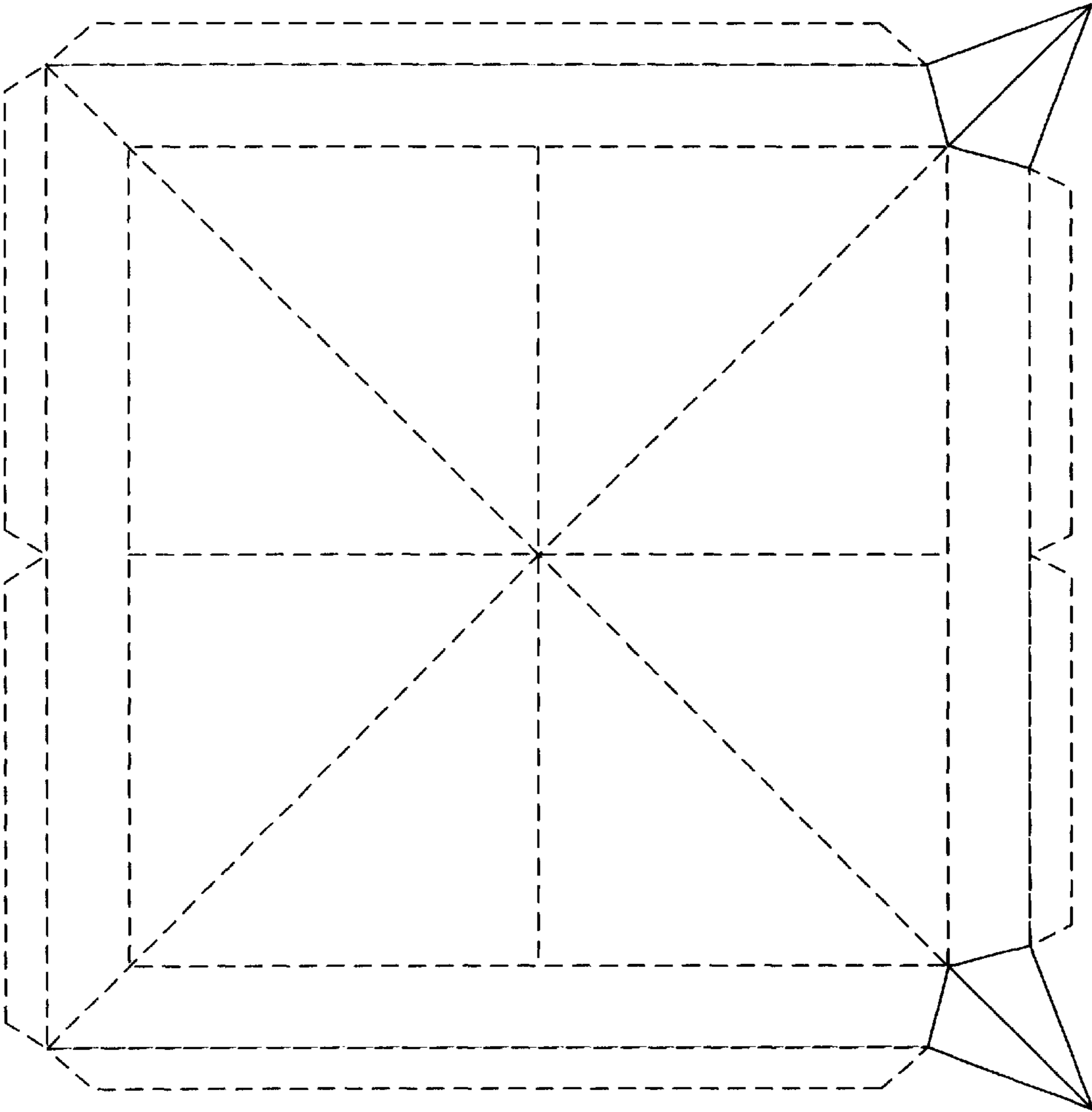


FIG. 3

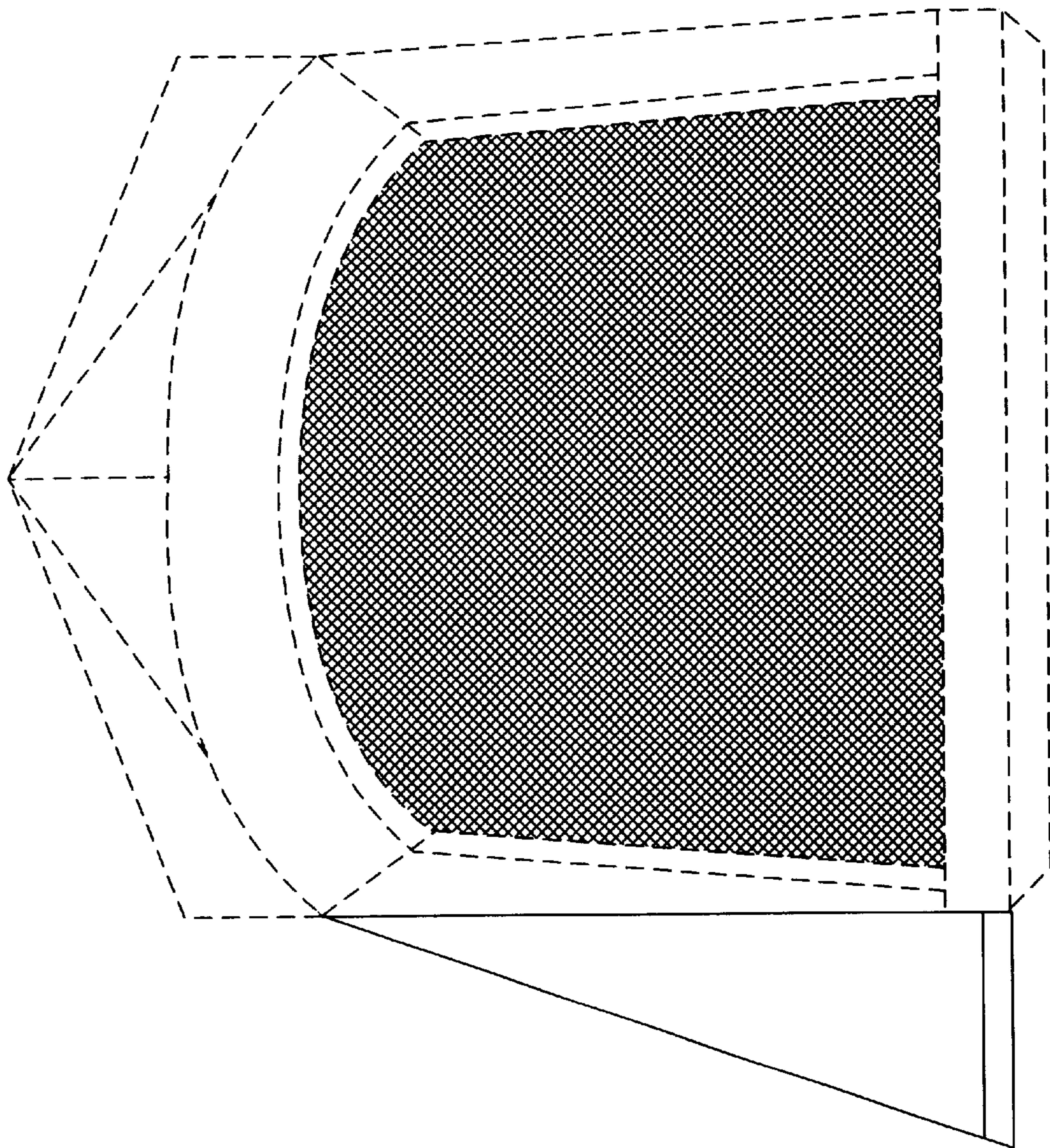


FIG. 4