



US00D518851S

(12) **United States Design Patent**
Awano et al.

(10) **Patent No.:** **US D518,851 S**
(45) **Date of Patent:** **** Apr. 11, 2006**

(54) **IMAGE FORMING APPARATUS**

(75) Inventors: **Toyohiko Awano**, Iwatsuki (JP);
Naomasa Okimura, Iwatsuki (JP);
Shigeki Nishimura, Iwatsuki (JP);
Yasuyuki Tsutsumi, Iwatsuki (JP)

(73) Assignee: **Fuji Xerox Co., Ltd.**, Tokyo (JP)

(**) Term: **14 Years**

(21) Appl. No.: **29/223,446**

(22) Filed: **Feb. 15, 2005**

(30) **Foreign Application Priority Data**

Aug. 20, 2004 (JP) 2004-024990

(51) **LOC (8) Cl.** **16-03**

(52) **U.S. Cl.** **D18/40**

(58) **Field of Classification Search** D18/36,
D18/40, 43, 56; 222/DIG. 1; 399/24, 25,
399/27, 28, 31, 33, 110-112, 119-126, 222-224,
399/252-262

See application file for complete search history.

(56) **References Cited**

U.S. PATENT DOCUMENTS

6,055,388 A * 4/2000 Watanabe et al. 399/253

D443,636 S * 6/2001 Kurosawa et al. D18/43
D458,299 S * 6/2002 Koizumi et al. D18/40
6,842,597 B1 * 1/2005 Yamaguchi et al. 399/223
6,904,256 B1 * 6/2005 Sato et al. 399/223
2001/0028810 A1 * 10/2001 Yamaguchi et al. 399/110
2003/0012583 A1 * 1/2003 Okoshi 399/119

* cited by examiner

Primary Examiner—Caron D. Veynar

Assistant Examiner—Garth Rademaker

(74) *Attorney, Agent, or Firm*—Oliff & Berridge, PLC

(57) **CLAIM**

The ornamental design for an image forming apparatus, as shown.

DESCRIPTION

FIG. 1 is a perspective view of the front, top and right side of an image forming apparatus showing our new design;

FIG. 2 is a perspective view of the front, bottom and left side thereof;

FIG. 3 is a front view thereof;

FIG. 4 is a rear view thereof;

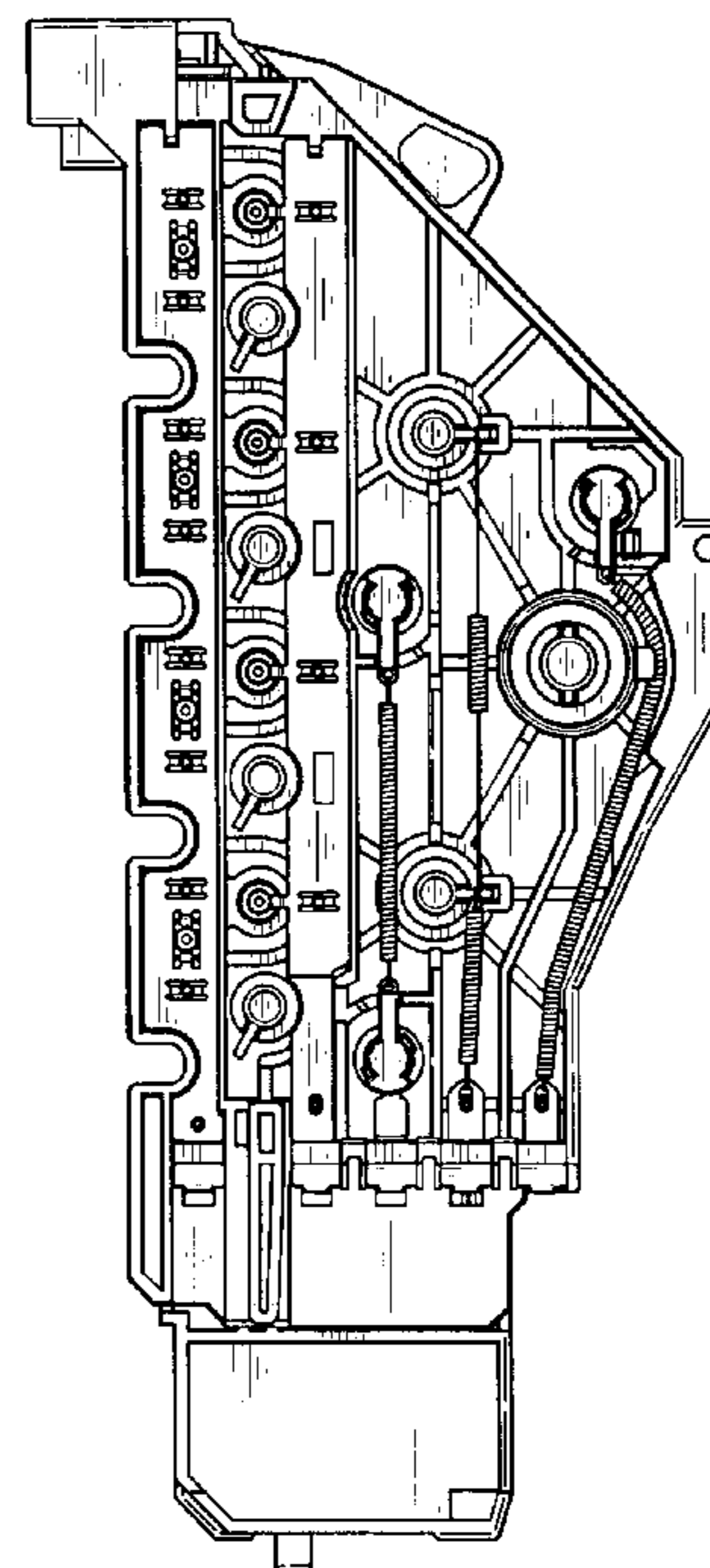
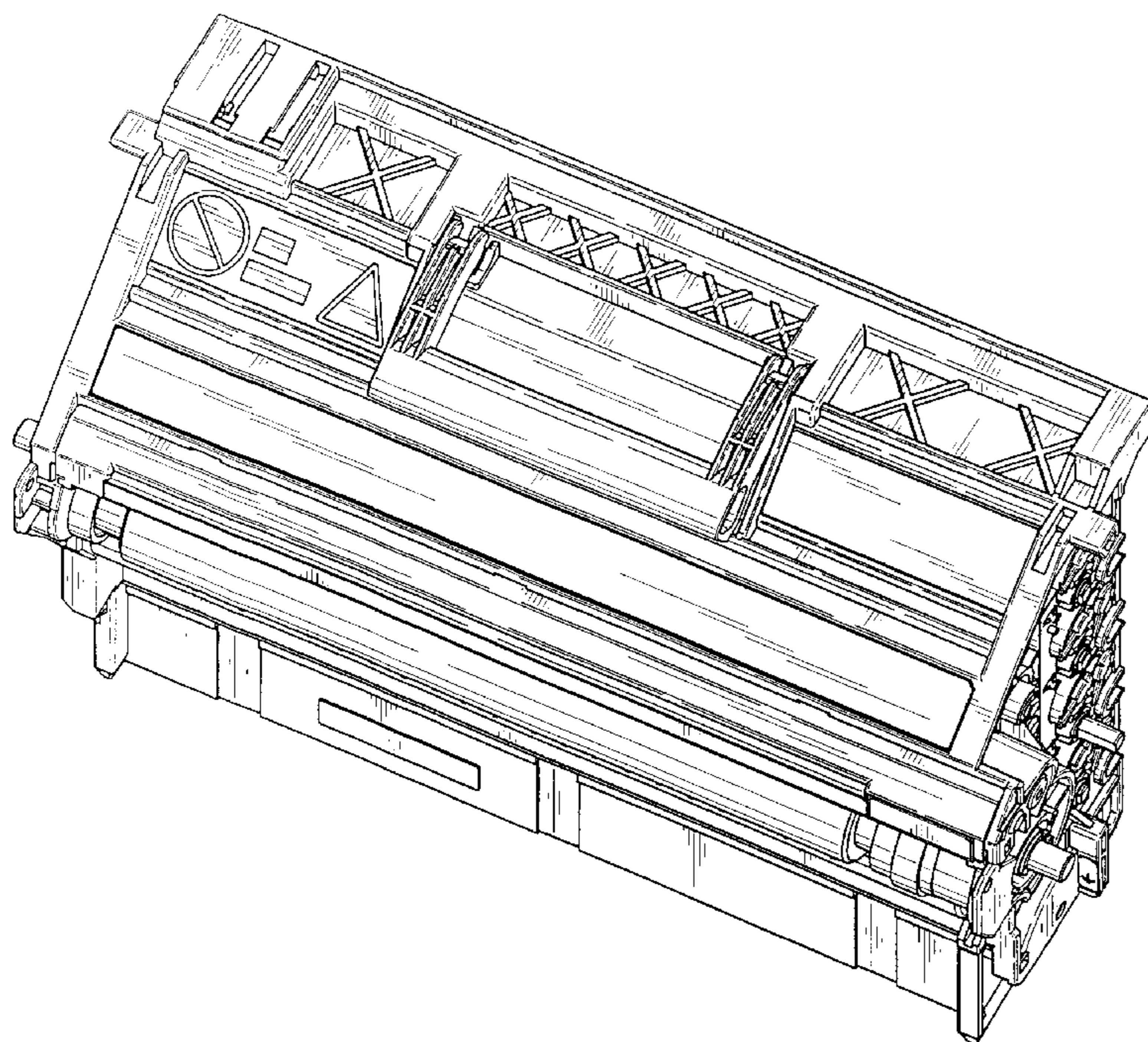
FIG. 5 is a top plan view thereof;

FIG. 6 is a bottom view thereof;

FIG. 7 is a right side view thereof; and,

FIG. 8 is a left side view thereof.

1 Claim, 8 Drawing Sheets



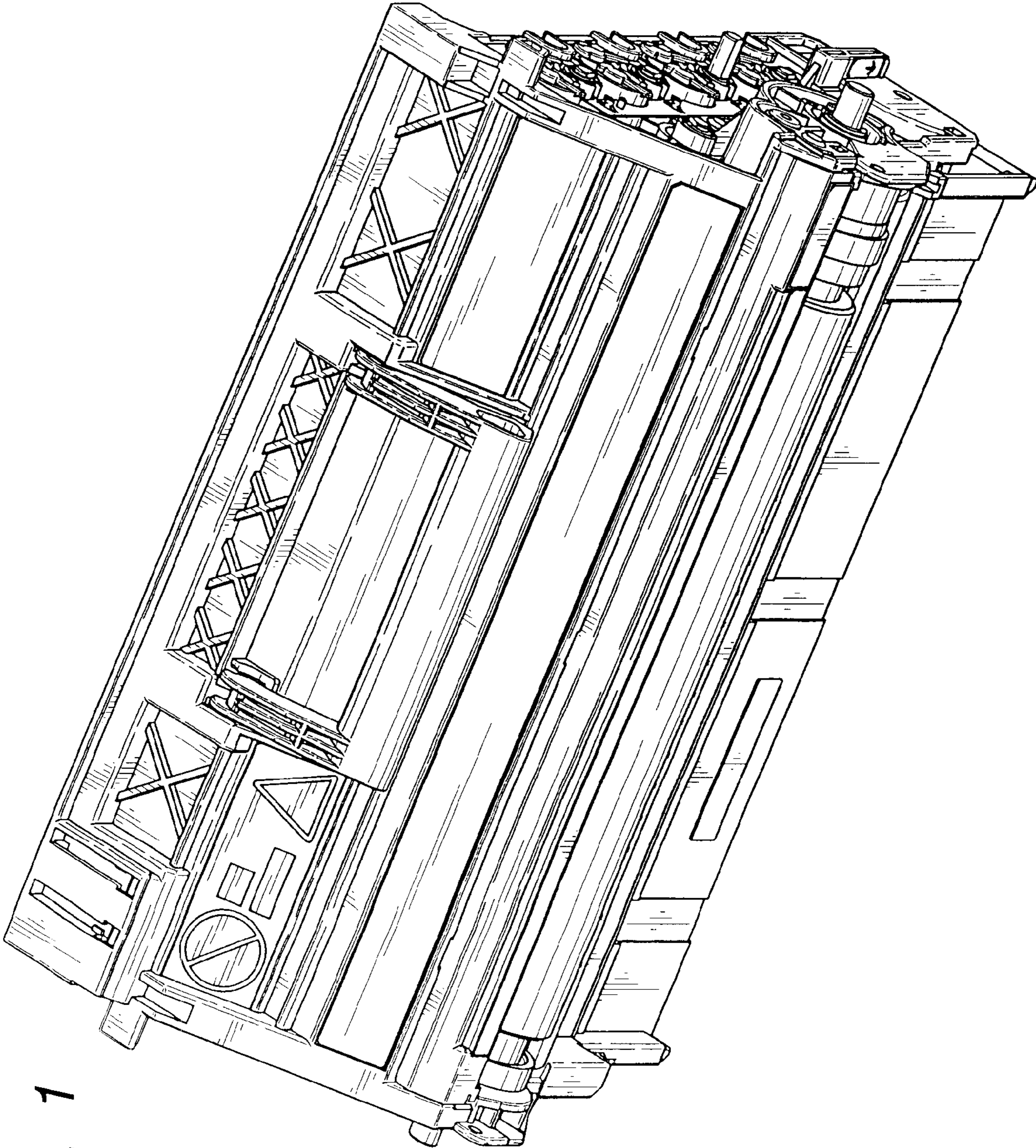


FIG. 1

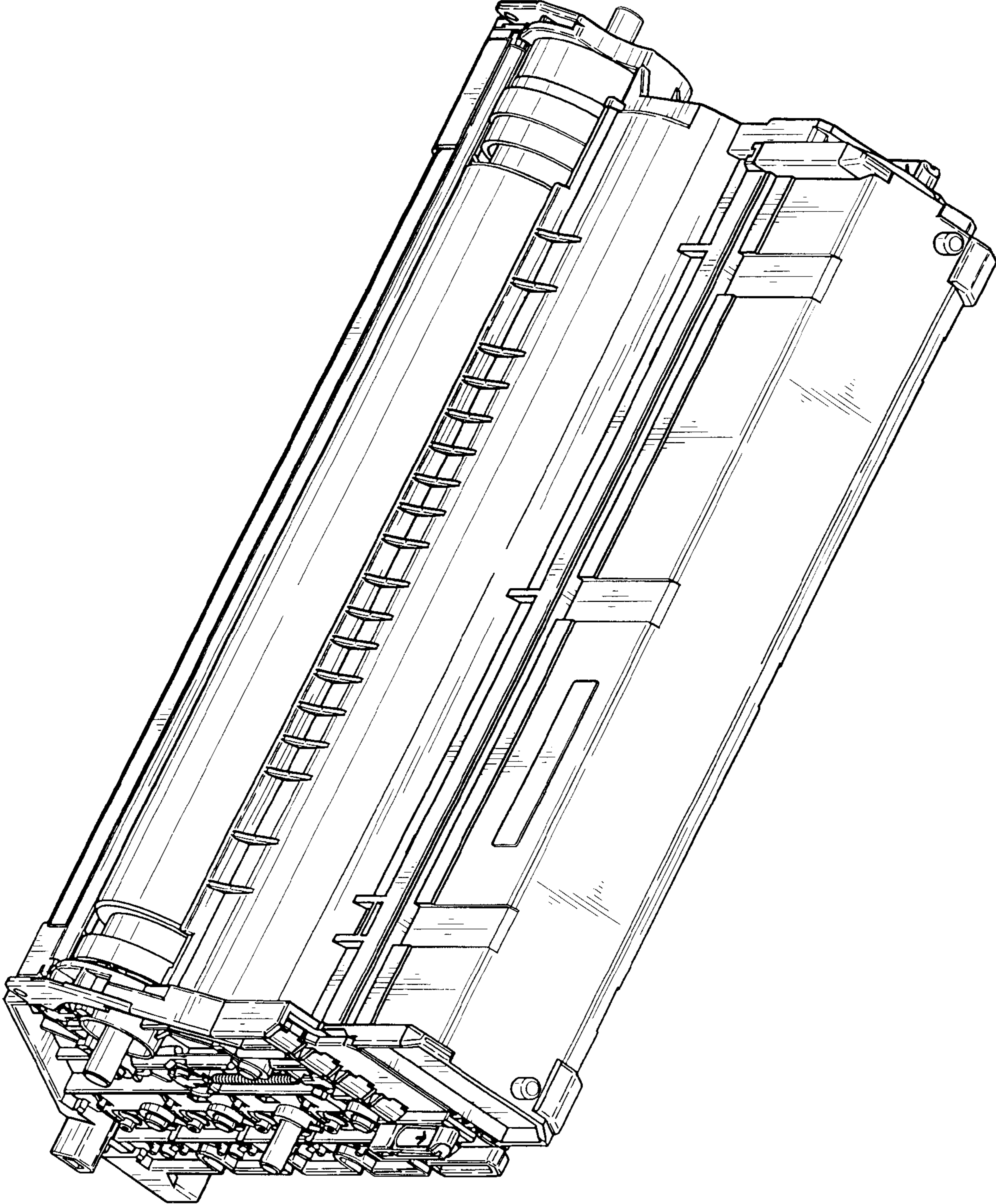


FIG. 2

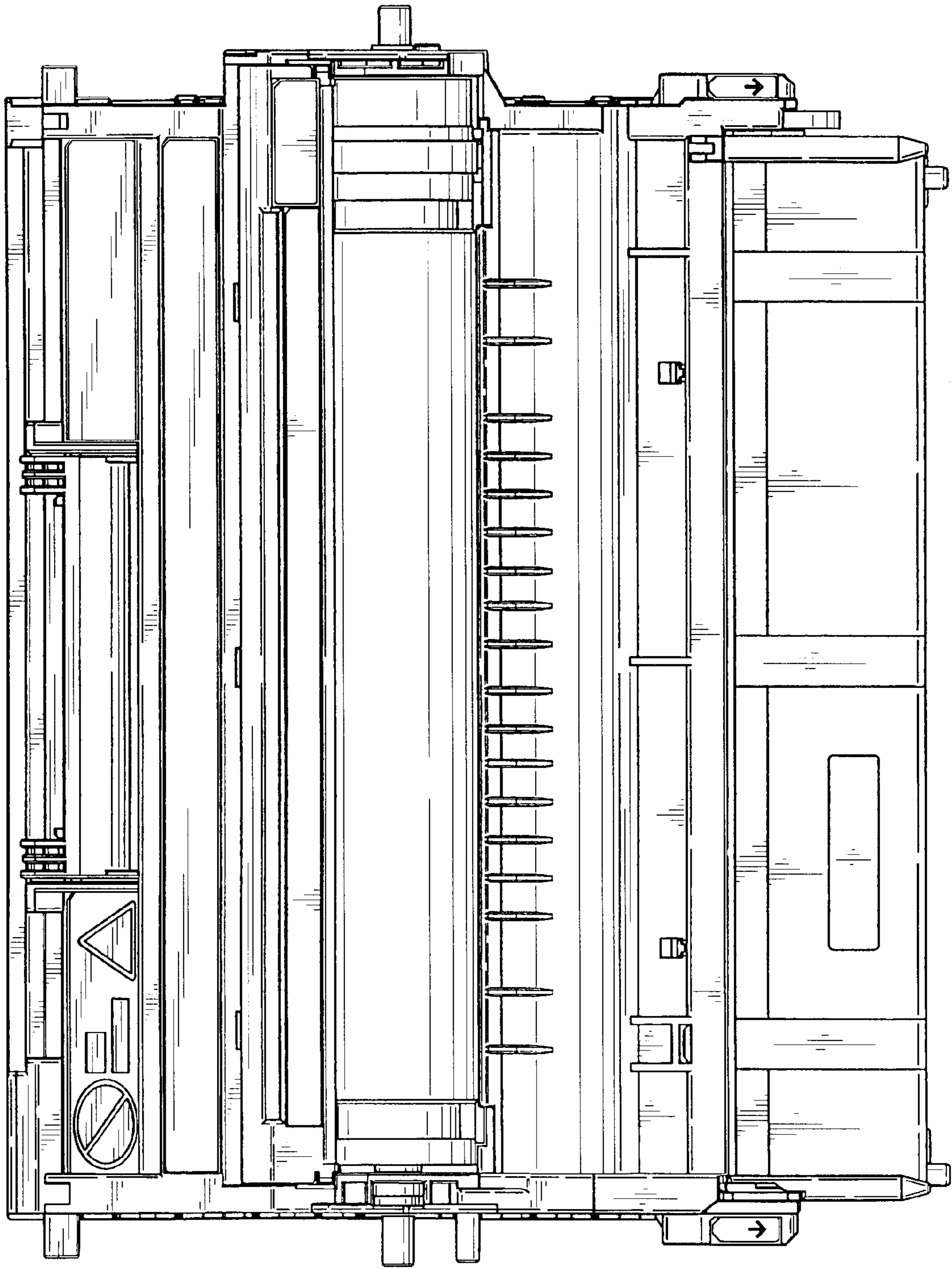


FIG. 3

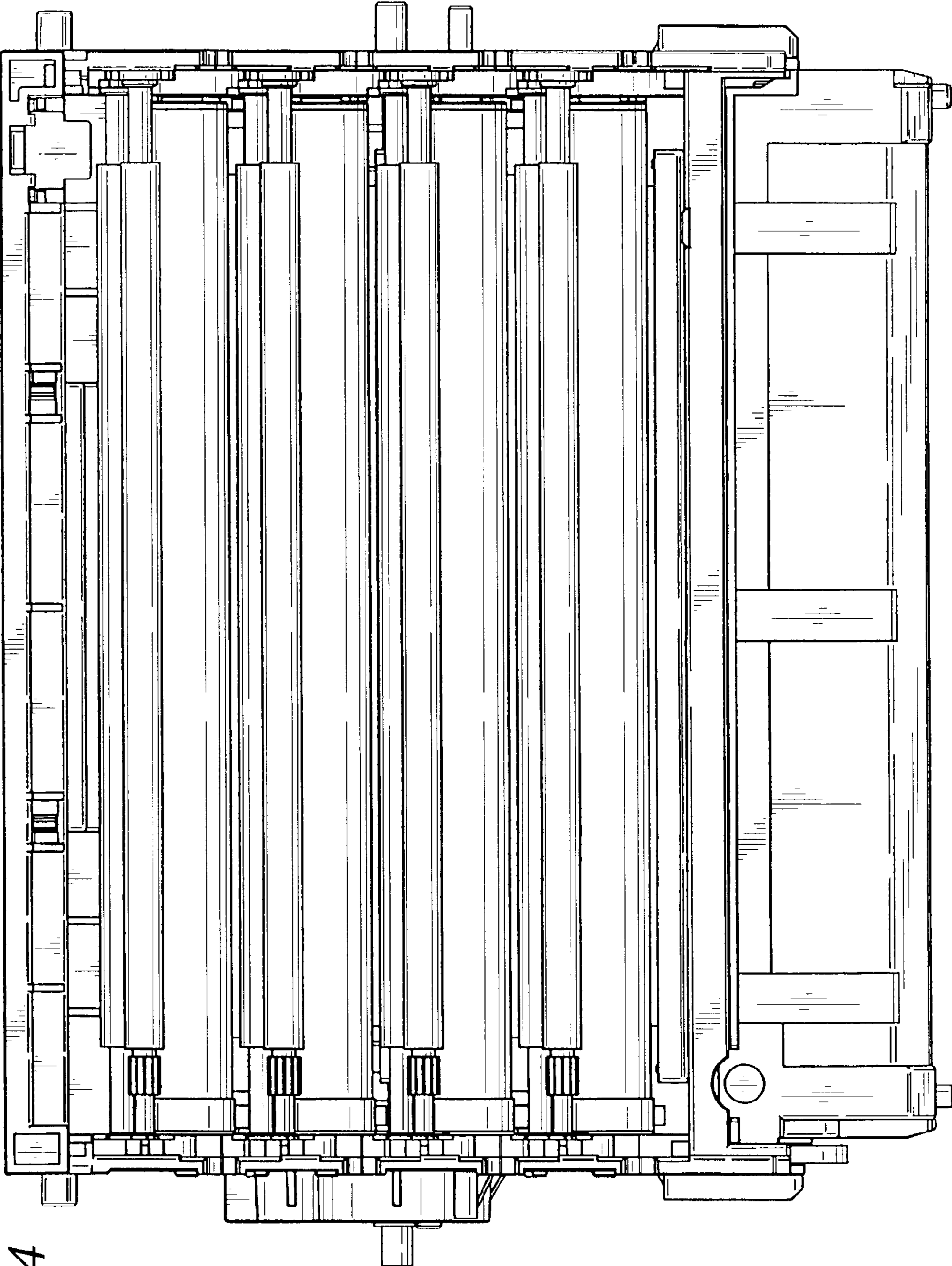


FIG. 4

FIG. 5

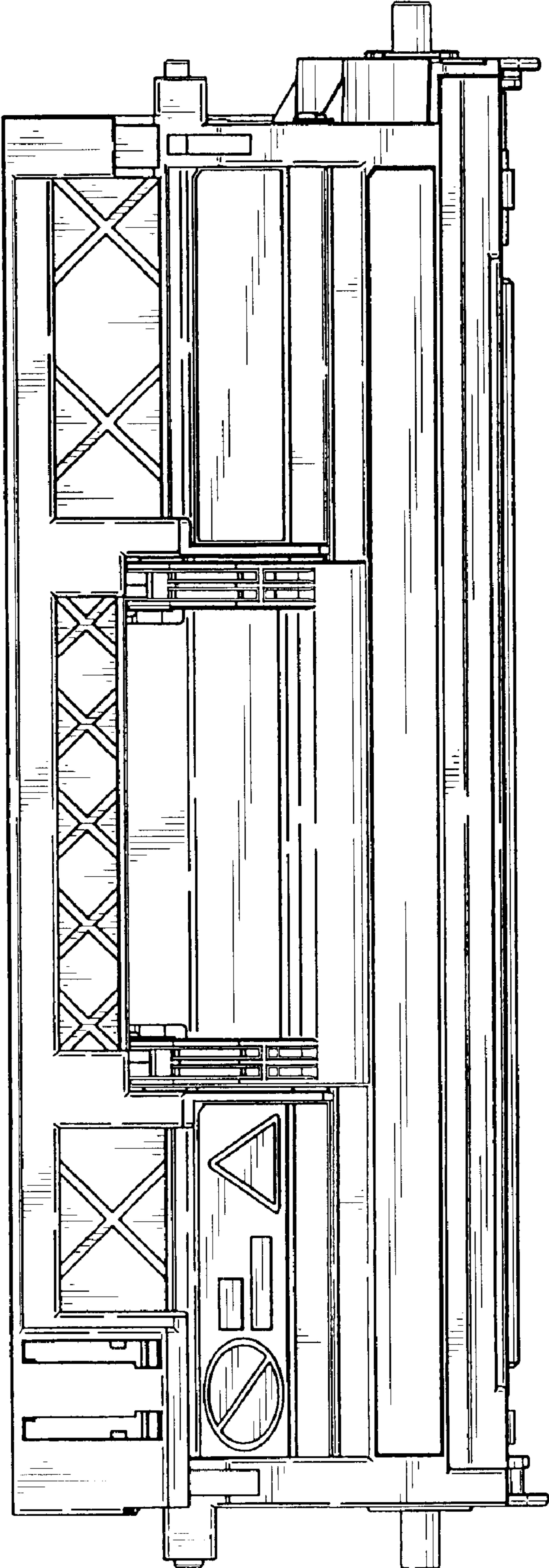


FIG. 6

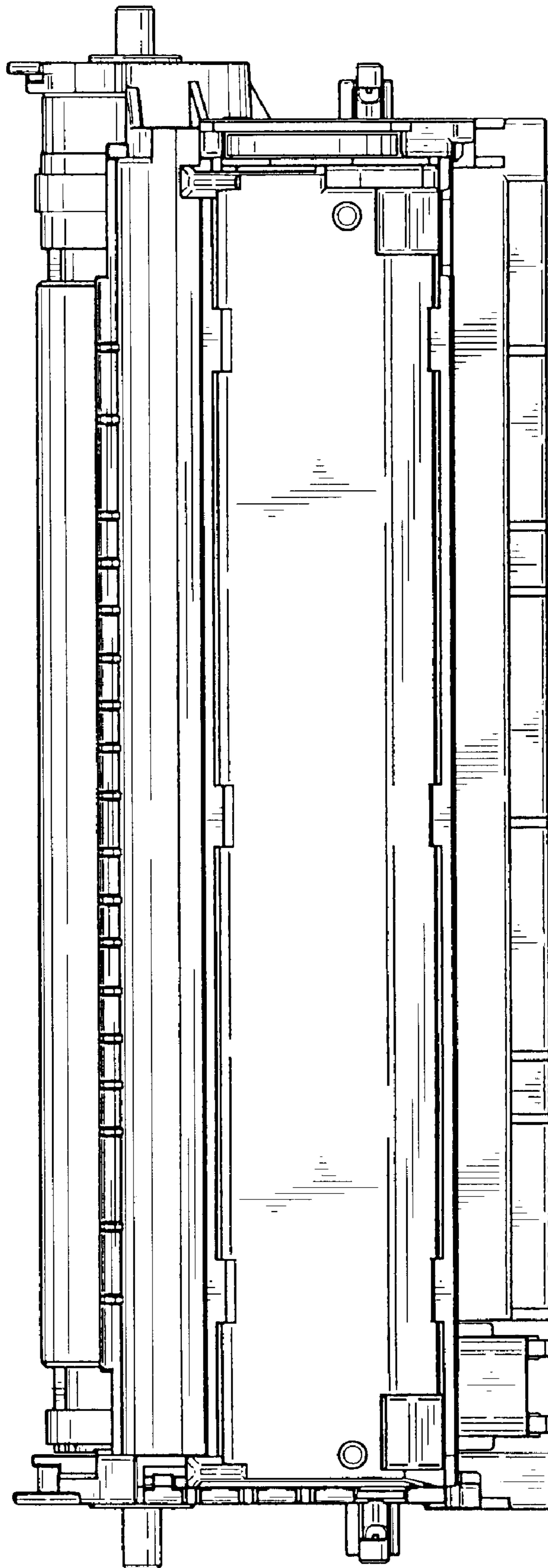


FIG. 7

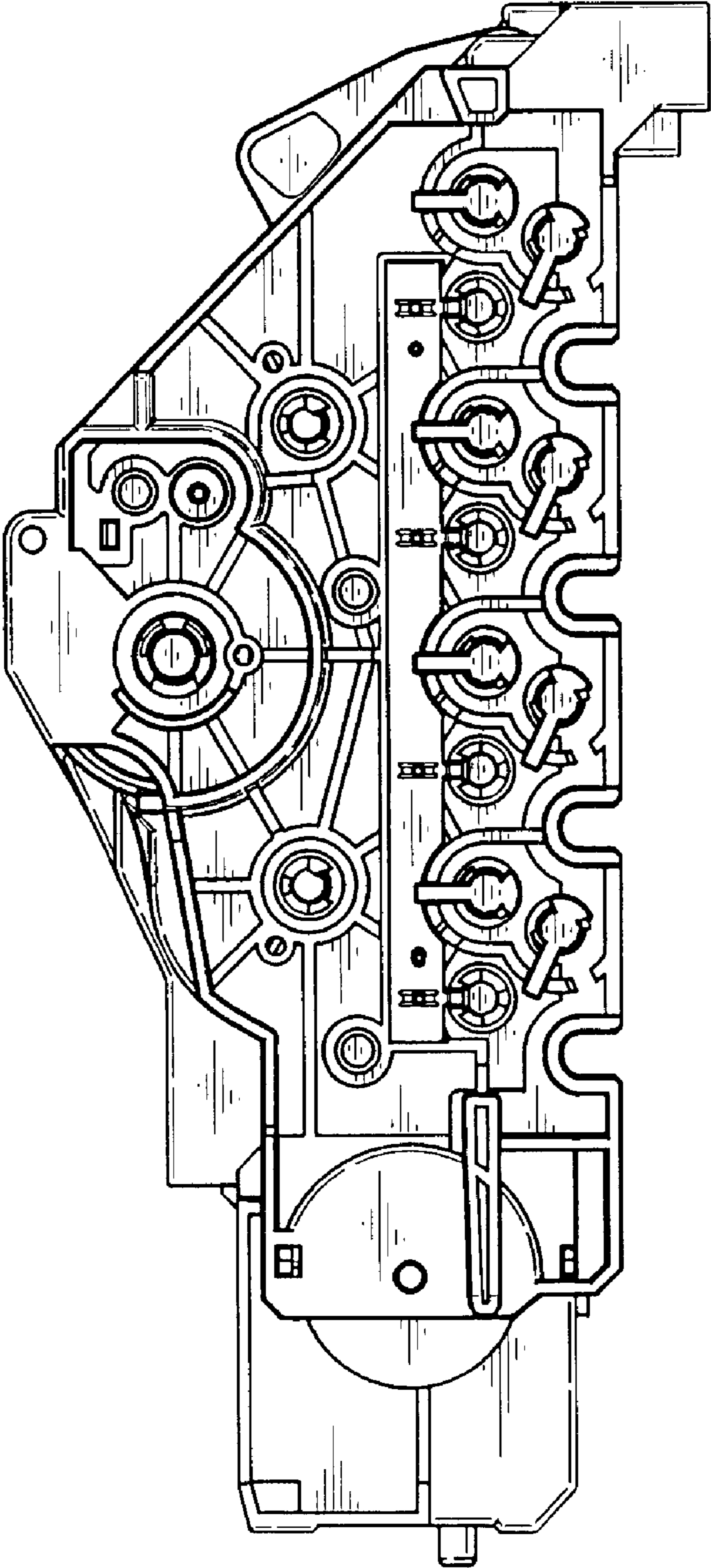


FIG. 8

