

US00D518845S

(12) **United States Design Patent**
Uchida

(10) **Patent No.:** **US D518,845 S**
(45) **Date of Patent:** **** Apr. 11, 2006**

(54) **LIQUID CRYSTAL PROJECTOR**

(75) Inventor: **Shigeru Uchida**, Tokyo (JP)

(73) Assignee: **Fujitsu General Limited**,
Kanagawa-Ken (JP)

(**) Term: **14 Years**

(21) Appl. No.: **29/214,637**

(22) Filed: **Oct. 7, 2004**

(30) **Foreign Application Priority Data**

Apr. 9, 2004 (JP) 2004-011078

(51) **LOC (8) Cl.** **16-02**

(52) **U.S. Cl.** **D16/230**

(58) **Field of Classification Search** D16/205,
D16/208, 213, 221, 225, 230, 231, 234; D21/514;
349/5, 7-9, 58; 353/115, 119, 122
See application file for complete search history.

(56) **References Cited**

U.S. PATENT DOCUMENTS

D400,903 S * 11/1998 Miyagawa et al. D16/225

D472,570 S * 4/2003 Takahashi D16/230
6,568,813 B1 * 5/2003 Haba et al. 353/119
D480,410 S * 10/2003 Morishita et al. D16/230
D498,489 S * 11/2004 Oross D16/230
D498,781 S * 11/2004 Azuma et al. D16/230
D506,770 S * 6/2005 Saeki et al. D16/230

* cited by examiner

Primary Examiner—Adir Aronovich

(74) *Attorney, Agent, or Firm*—Sughrue Mion, PLLC

(57) **CLAIM**

The ornamental design for a liquid crystal projector, as shown.

DESCRIPTION

FIG. 1 is a perspective view of the top, front and right side of a liquid crystal projector showing my new design; FIG. 2 is a front elevational view thereof; FIG. 3 is a rear elevational view thereof; FIG. 4 is a right side elevational view thereof; FIG. 5 is a left side elevational view thereof; FIG. 6 is a top plan view thereof; and, FIG. 7 is a bottom plan view thereof.

1 Claim, 5 Drawing Sheets

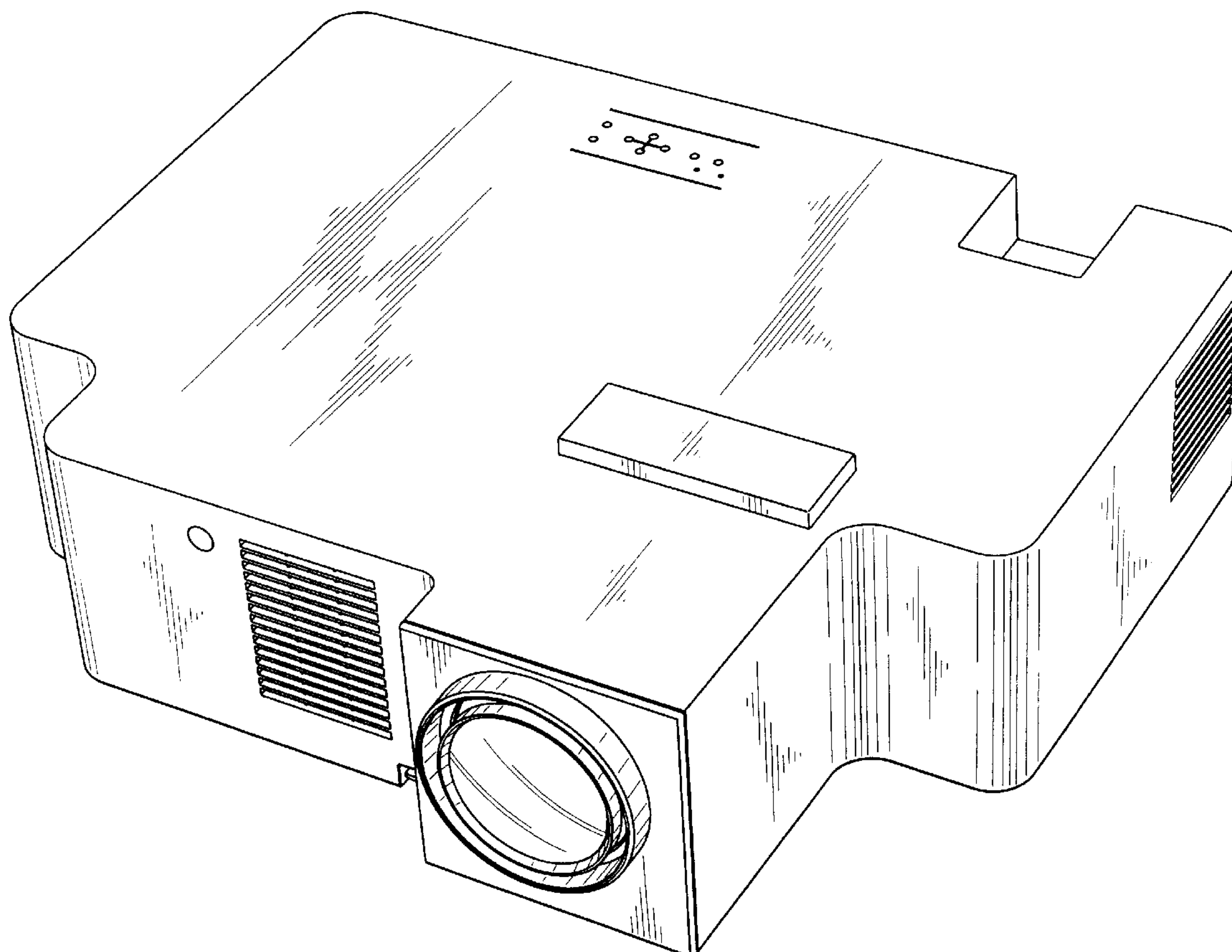


FIG. 1

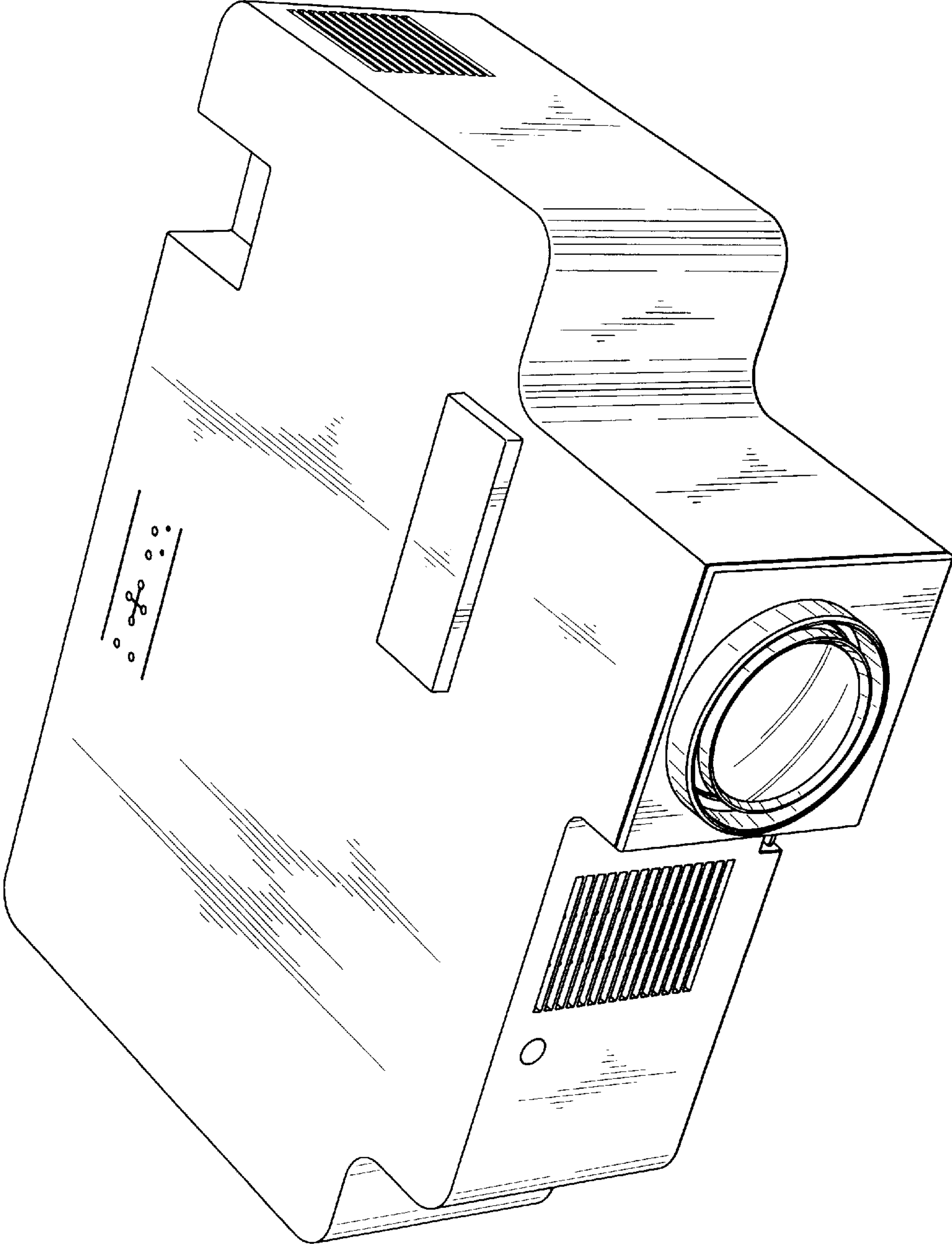


FIG. 2

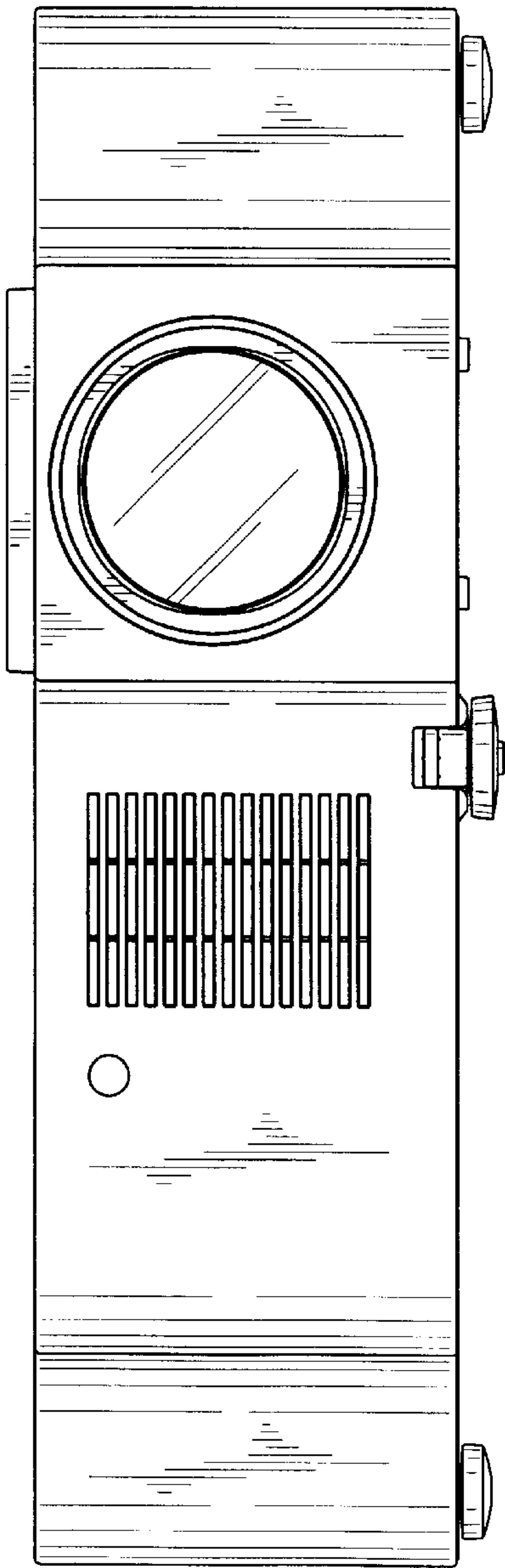


FIG. 3

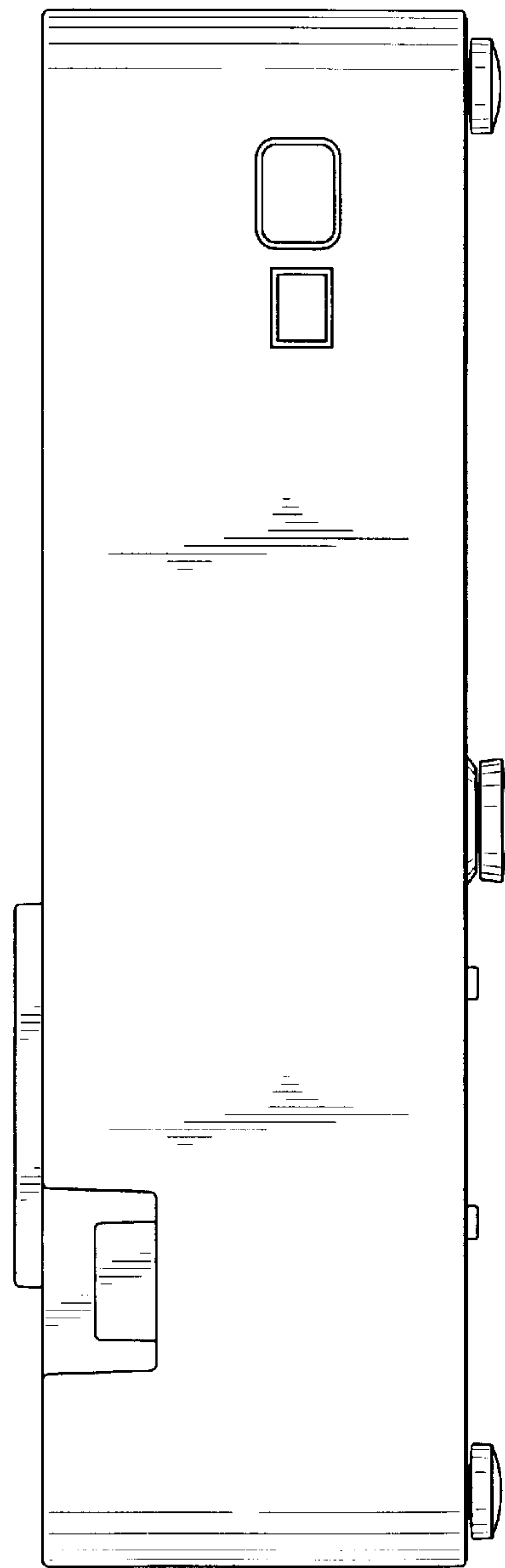


FIG. 4

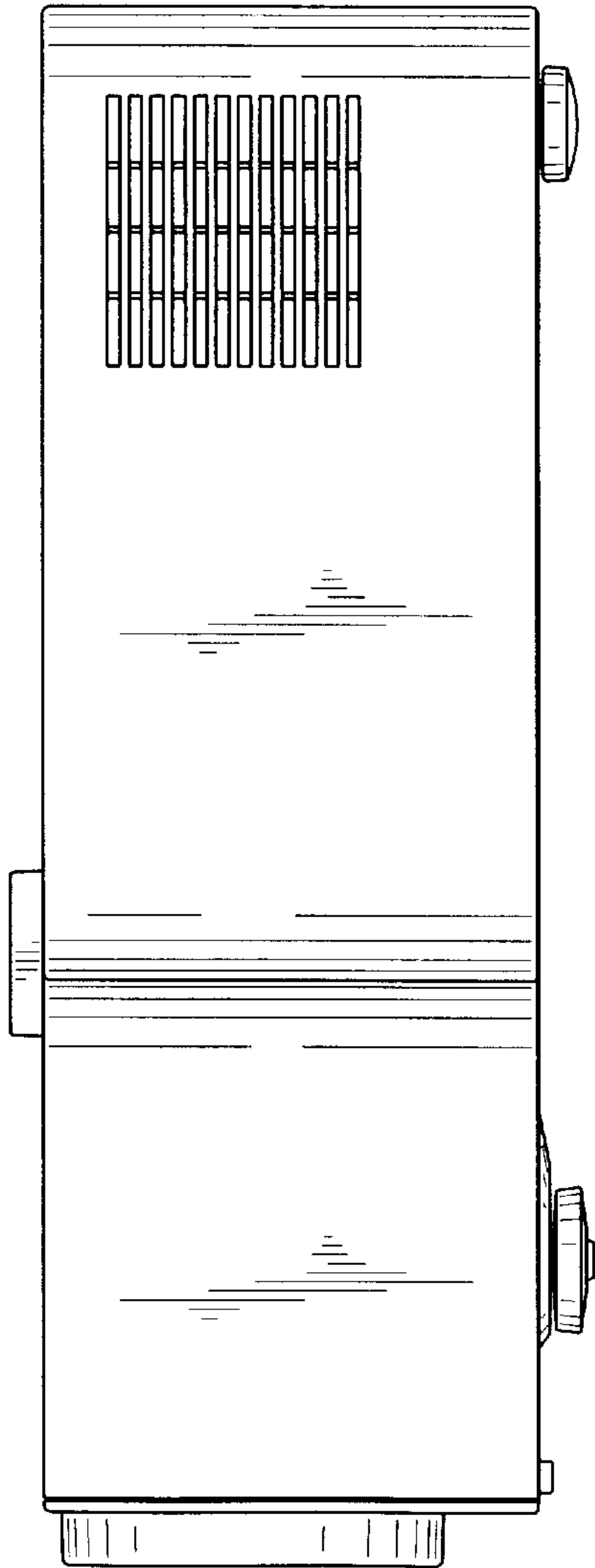


FIG. 5

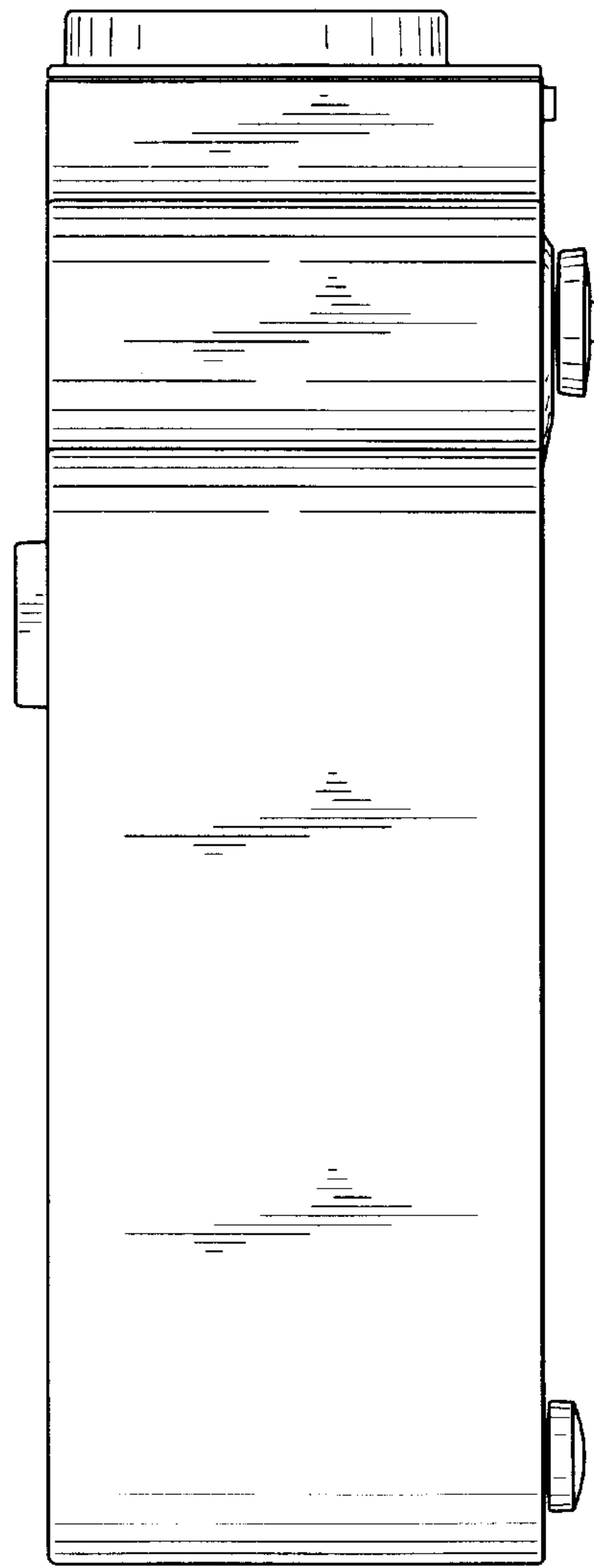


FIG. 6

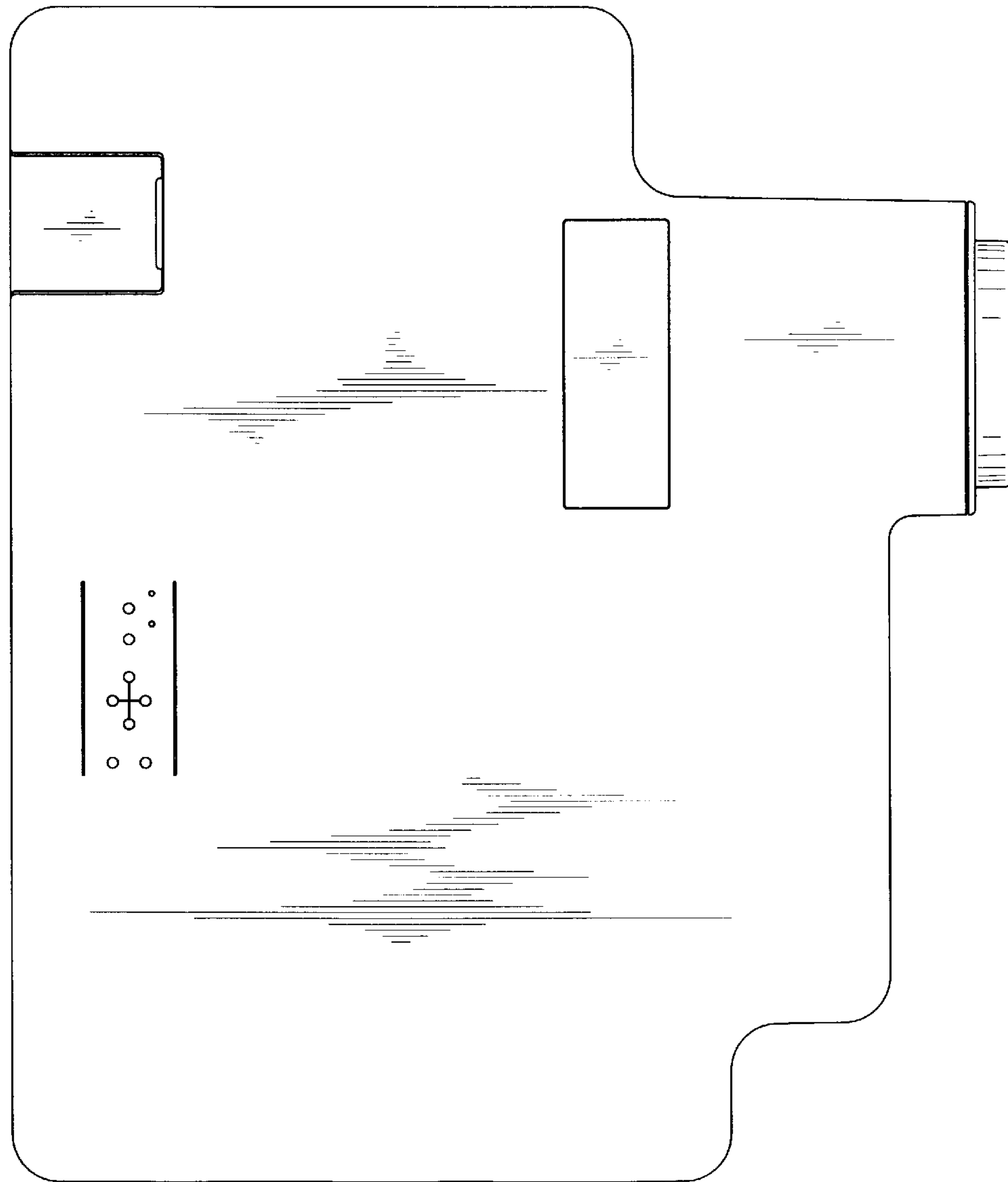


FIG. 7

